



US00D755303S

(12) **United States Design Patent**
Bissonnette et al.

(10) **Patent No.:** **US D755,303 S**

(45) **Date of Patent:** **** May 3, 2016**

(54) **SIGN HOLDER**

4,660,310 A * 4/1987 Farmer G09F 15/0006
40/606.18

(71) Applicant: **Vistaprint Schweiz GmbH**, Winterthur
(CH)

4,894,937 A 1/1990 Davis
5,042,183 A 8/1991 Kennedy

(Continued)

(72) Inventors: **Bradley Bissonnette**, Windsor (CA);
Brian S. Kronemeyer, Hudsonville, MI
(US); **Gary A. Moshluk**, Zeeland, MI
(US)

OTHER PUBLICATIONS

USA Sign Frame and Stake; "Sign Frames-Sign Stakes," <http://www.usasignframeandstake.com/index.html>; Retrieved from the Internet on Apr. 3, 2014.

(Continued)

(73) Assignee: **Cimpres Schweiz GmbH**, Winterthur
(CH)

Primary Examiner — Mary Ann Calabrese

(74) *Attorney, Agent, or Firm* — Jessica Costa

(**) Term: **14 Years**

(21) Appl. No.: **29/486,779**

(57) **CLAIM**

The ornamental design for a sign holder, as shown and described.

(22) Filed: **Apr. 2, 2014**

(51) **LOC (10) Cl.** **20-03**

(52) **U.S. Cl.**

USPC **D20/43**

(58) **Field of Classification Search**

USPC D20/10, 19, 41, 43, 44, 99

CPC G09F 3/08; G09F 3/16; G09F 3/18;

G09F 3/20; G09F 3/201; G09F 3/202; G09F

3/203; G09F 3/204; G09F 7/00; G09F 7/02;

G09F 7/06; G09F 7/08; G09F 7/18; G09F

7/20; G09F 7/22; G09F 7/002; G09F 1/10;

G09F 15/00; G09F 15/0006; G09F 15/0012;

G09F 15/18; G09F 15/0037; G09F 15/02;

F41J 1/10

See application file for complete search history.

DESCRIPTION

FIG. 1 shows a front perspective view of a first embodiment for a design of a sign holder.

FIG. 2 shows a front view of the first embodiment.

FIG. 3 shows a rear view of the first embodiment.

FIG. 4 shows a left side view of the first embodiment.

FIG. 5 shows a right side view of the first embodiment.

FIG. 6 shows a top view of the first embodiment.

FIG. 7 shows a bottom view of the first embodiment.

FIG. 8 shows a front perspective view of a second embodiment for a design of a sign holder.

FIG. 9 shows a front view of the second embodiment.

FIG. 10 shows a rear view of the second embodiment.

FIG. 11 shows a left side view of the second embodiment.

FIG. 12 shows a right side view of the second embodiment.

FIG. 13 shows a top view of the second embodiment; and,

FIG. 14 shows a bottom view of the second embodiment.

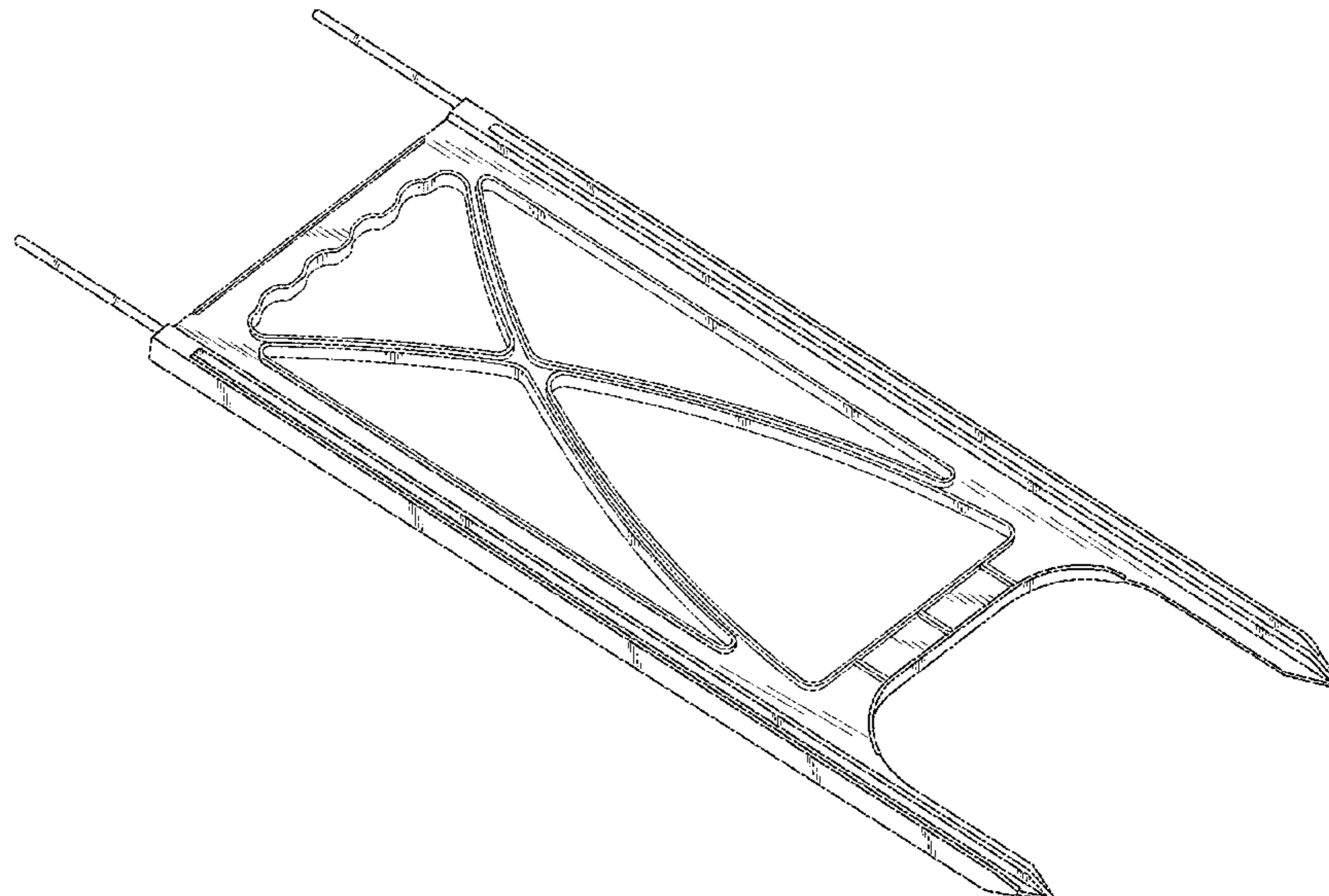
The broken line features in the figures illustrate portions of the sign holder that form no part of the claimed design.

(56) **References Cited**

U.S. PATENT DOCUMENTS

977,343 A 11/1910 Sweatt
1,505,046 A 8/1924 Lush
3,058,246 A 10/1958 Schoeffler
4,059,915 A 11/1977 Owens

1 Claim, 10 Drawing Sheets



(56)

References Cited

U.S. PATENT DOCUMENTS

D347,244 S 5/1994 Whitmire
 5,579,599 A * 12/1996 Haeseler G09F 7/18
 248/156
 5,615,503 A 4/1997 Current
 5,701,695 A 12/1997 Current
 6,293,035 B1 9/2001 LaPointe
 6,668,474 B2 12/2003 Winterton et al.
 6,779,287 B2 8/2004 Venegas, Jr.
 6,971,638 B2 * 12/2005 Burdick A01K 3/00
 256/10
 7,437,844 B1 * 10/2008 Kennedy G09F 15/00
 248/156
 D582,485 S * 12/2008 Glass, Jr. D20/41
 7,654,684 B1 2/2010 Wight et al.
 D642,220 S 7/2011 Moshluk et al.

D651,654 S * 1/2012 Daus D20/41
 D679,760 S 4/2013 Kronemeyer et al.
 8,695,985 B2 * 4/2014 Potterfield F41J 1/10
 248/156
 2002/0088157 A1 7/2002 Winterton et al.
 2006/0101690 A1 5/2006 Terbet, Jr.
 2006/0143960 A1 * 7/2006 Gnas G09F 7/002
 40/607.01
 2009/0077849 A1 3/2009 Glass, Jr. et al.
 2011/0277363 A1 11/2011 Dukes et al.
 2012/0144707 A1 6/2012 Garfinkle
 2012/0180350 A1 7/2012 Daus

OTHER PUBLICATIONS

Voss Signs; "Yard Signs/Job Sites," <http://www.vosssigns.com/Jobsite2.htm>; Retrieved from the Internet on Apr. 3, 2014.

* cited by examiner

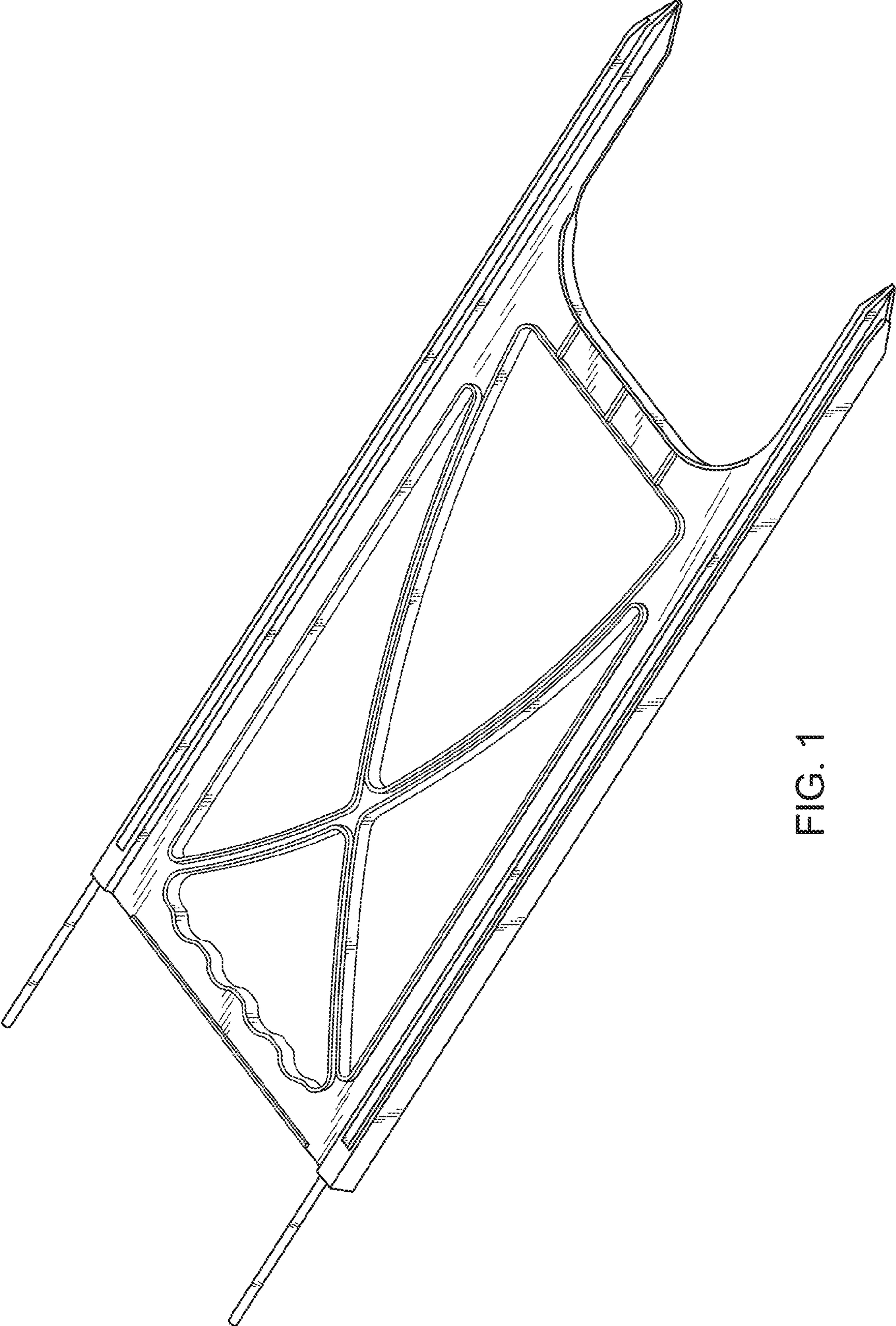


FIG. 1

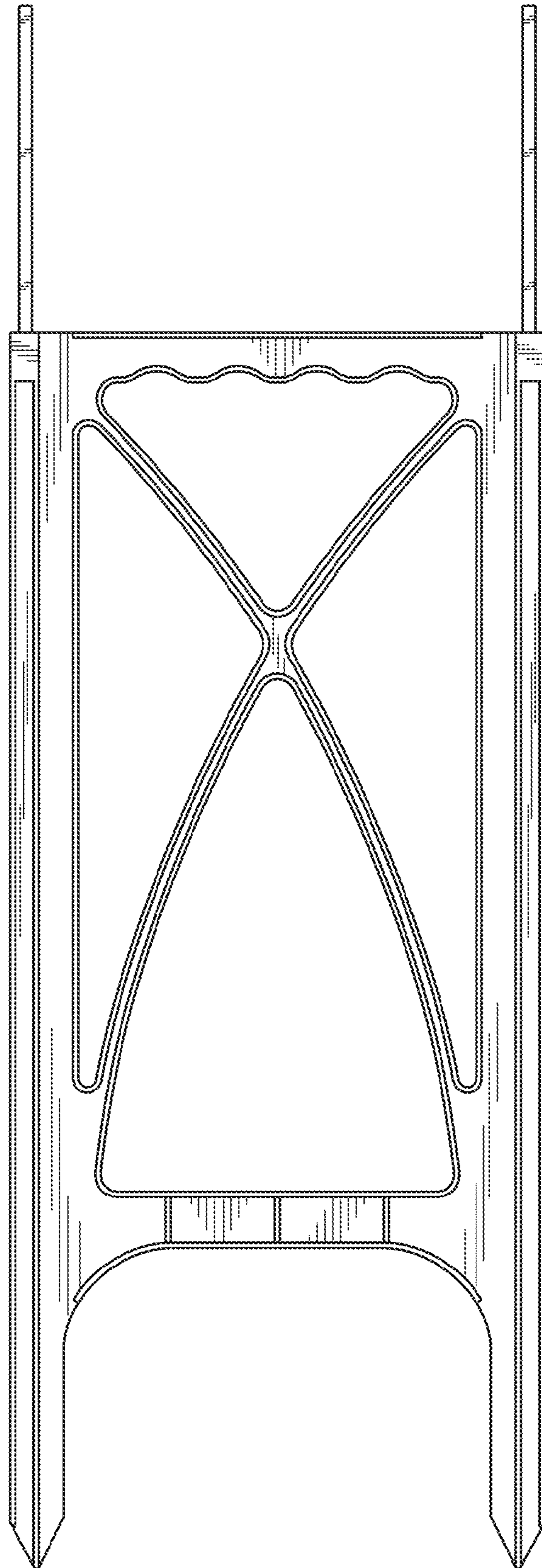


FIG. 2

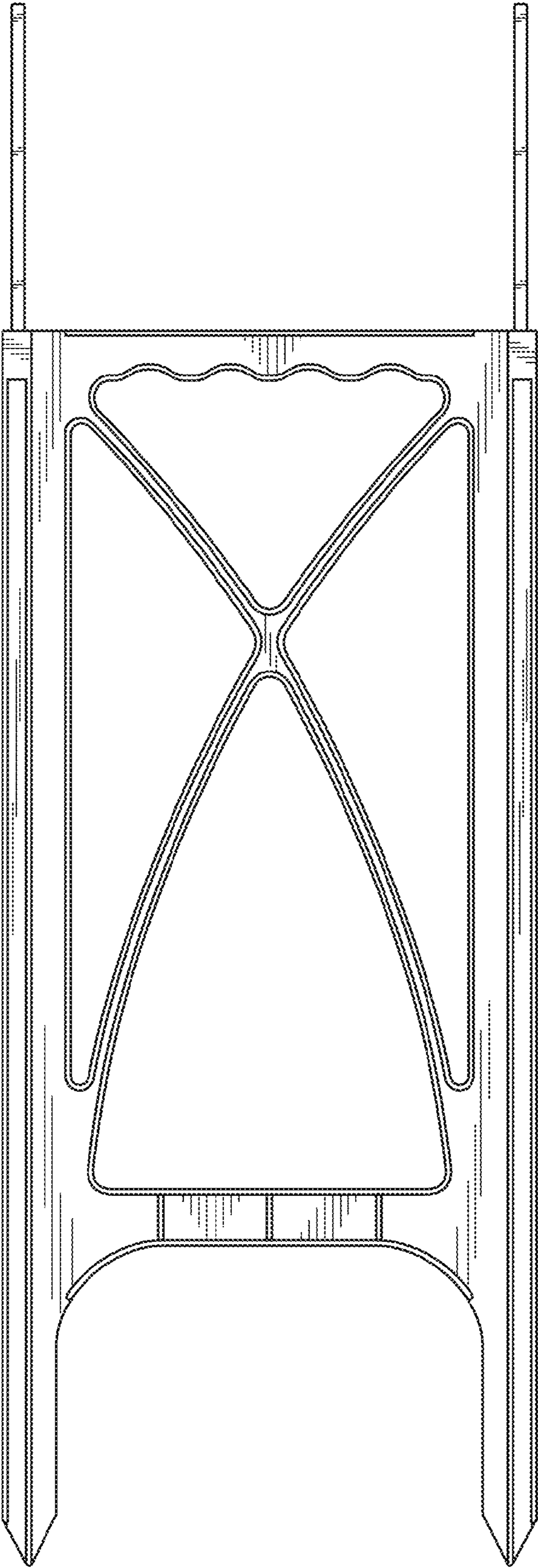


FIG. 3

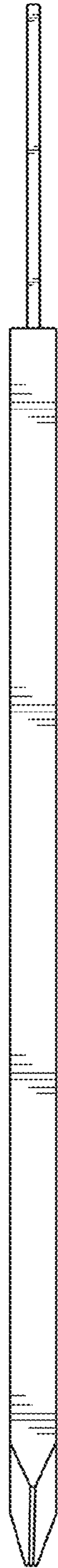


FIG. 4



FIG. 5

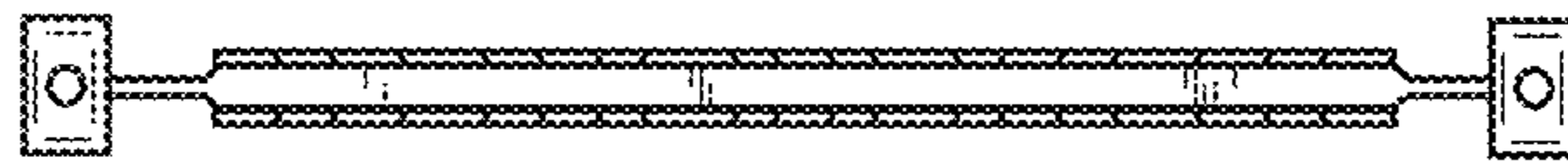


FIG. 6

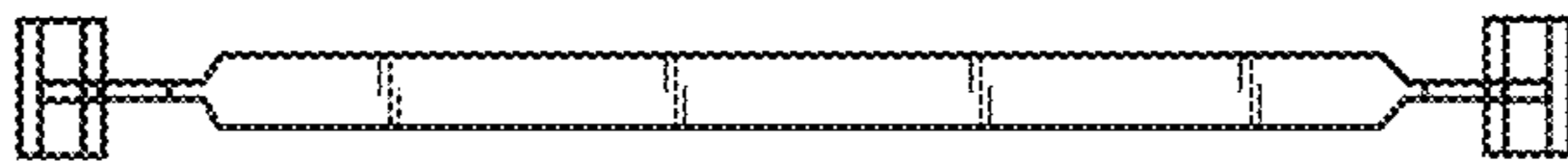


FIG. 7

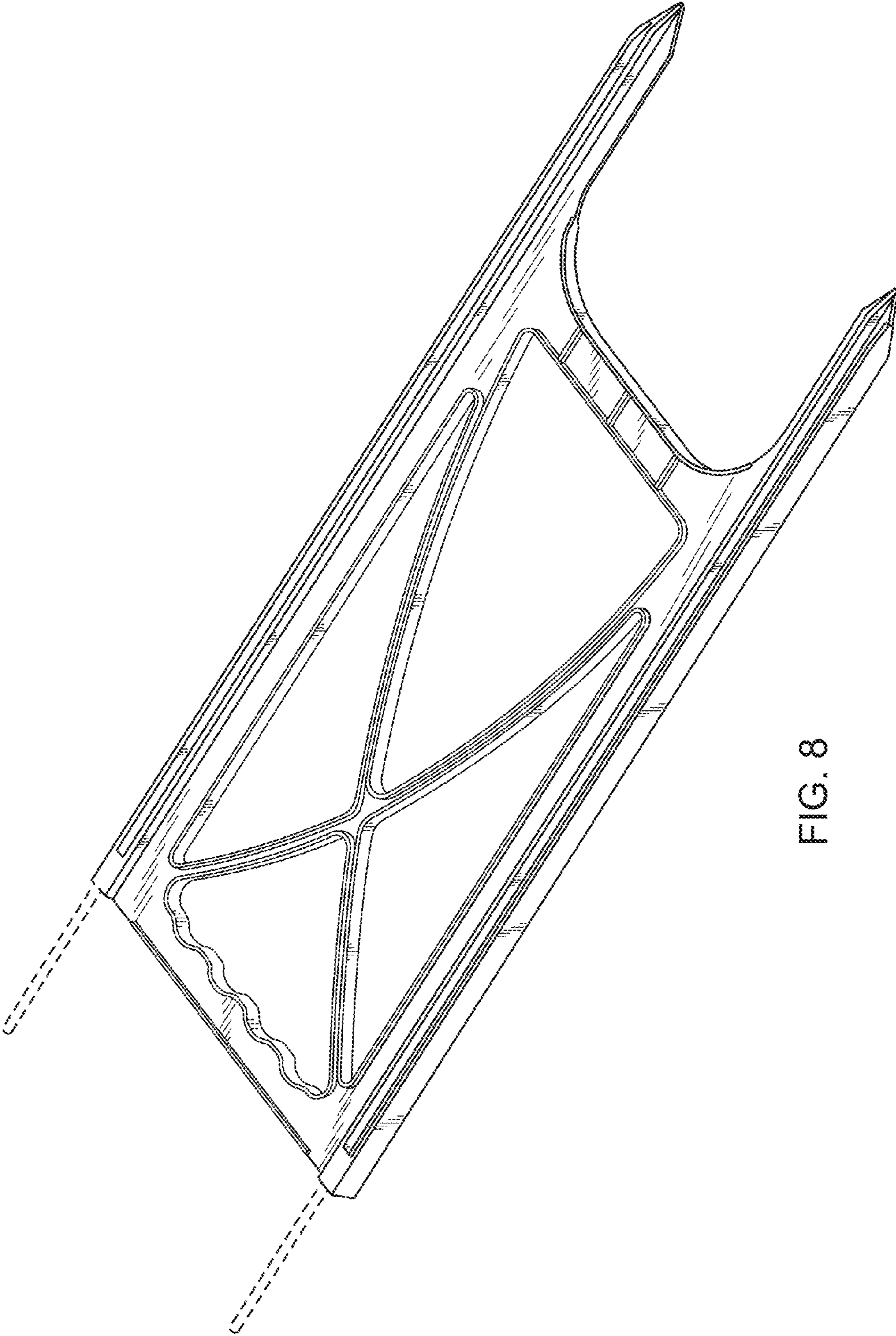


FIG. 8

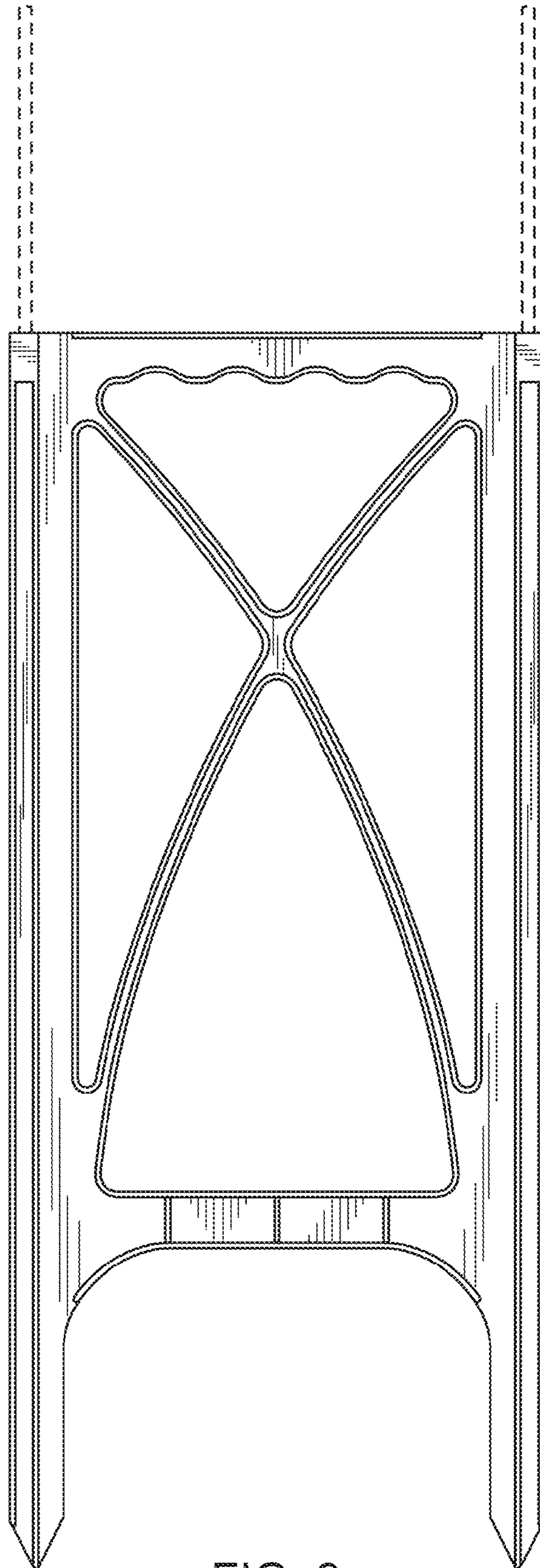


FIG. 9

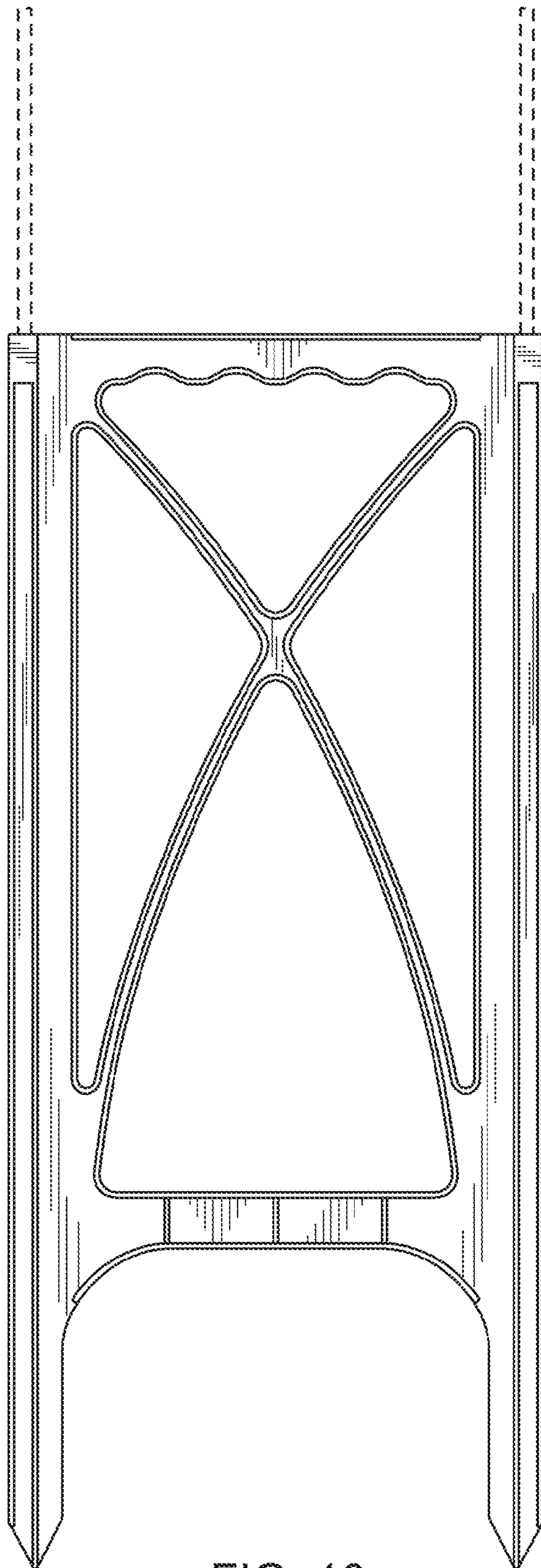


FIG. 10

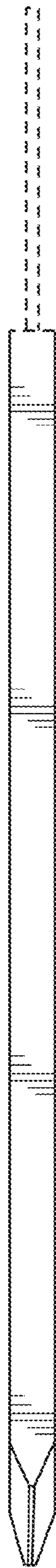


FIG. 11



FIG. 12

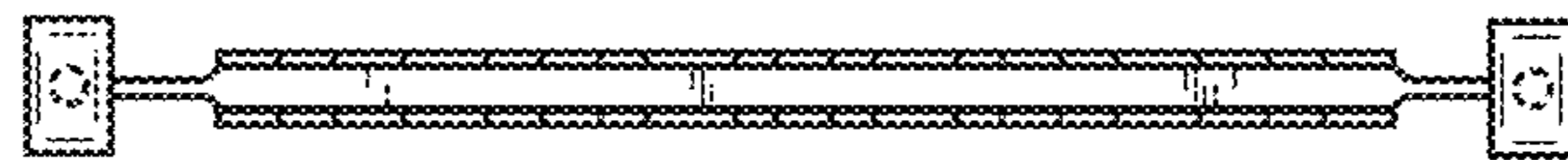


FIG. 13

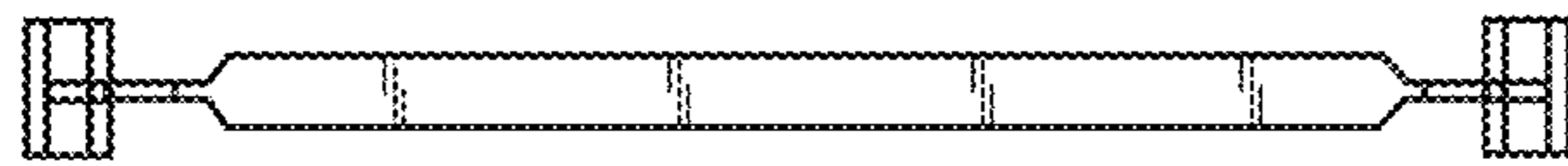


FIG. 14