



US00D755300S

(12) **United States Design Patent**
Akana et al.

(10) **Patent No.:** **US D755,300 S**
(45) **Date of Patent:** **** May 3, 2016**

(54) **LABEL**

(71) Applicant: **Apple Inc.**, Cupertino, CA (US)

(72) Inventors: **Jody Akana**, San Francisco, CA (US);
Bartley K. Andre, Palo Alto, CA (US);
Shota Aoyagi, San Francisco, CA (US);
Anthony Michael Ashcroft, San Francisco, CA (US);
Jeremy Bataillou, San Francisco, CA (US);
Daniel J. Coster, San Francisco, CA (US);
Daniele De Iuliis, San Francisco, CA (US);
M. Evans Hankey, San Francisco, CA (US);
Julian Hoenig, San Francisco, CA (US);
Richard P. Howarth, San Francisco, CA (US);
Jonathan P. Ive, San Francisco, CA (US);
Duncan Robert Kerr, San Francisco, CA (US);
Matthew Dean Rohrbach, San Francisco, CA (US);
Peter Russell-Clarke, San Francisco, CA (US);
Benjamin Andrew Shaffer, San Jose, CA (US);
Mikael Silvanto, San Francisco, CA (US);
Christopher J. Stringer, Woodside, CA (US);
Eugene Antony Whang, San Francisco, CA (US);
Rico Zörkendörfer, San Francisco, CA (US)

(73) Assignee: **Apple Inc.**, Cupertino, CA (US)

(**) Term: **14 Years**

(21) Appl. No.: **29/501,653**

(22) Filed: **Sep. 5, 2014**

(51) **LOC (10) Cl.** **19-08**

(52) **U.S. Cl.**
USPC **D20/23; D20/27**

(58) **Field of Classification Search**
USPC D20/10, 11, 19, 22–28, 40, 99;
D14/489–495; D19/1, 4, 9, 10
CPC G09F 1/00; G09F 1/02; G09F 1/06;
G09F 1/10; G09F 1/12; G09F 3/00; G09F 3/02;
G09F 3/04; G09F 3/08; G09F 3/14;

G09F 3/16; G09F 3/20; G09F 3/203; G09F 3/207;
G09F 3/0288; G09F 3/0289; G09F 3/0298;
G09F 2003/0208; G09F 2003/0264; G09F 2003/0266;
G09F 2003/0272; G09F 2003/0273; G09F 2003/0285;
G09F 7/18; G09F 7/22; G09F 23/00; G09F 23/10

See application file for complete search history.

(56) **References Cited**

U.S. PATENT DOCUMENTS

1,165,262 A 12/1915 Jolly
D141,753 S 5/1945 Du Bois

(Continued)

FOREIGN PATENT DOCUMENTS

CN 2052214 U 2/1990
CN 2353201 Y 12/1999

(Continued)

OTHER PUBLICATIONS

Trademark Serial No. 76413051, May 29, 2002 (Applicant) Manufacture Jaeger-LeCoultre SA Corporation Switzerland.*

(Continued)

Primary Examiner — Mary Ann Calabrese

(74) *Attorney, Agent, or Firm* — Sterne, Kessler, Goldstein & Fox P.L.L.C.

(57) **CLAIM**

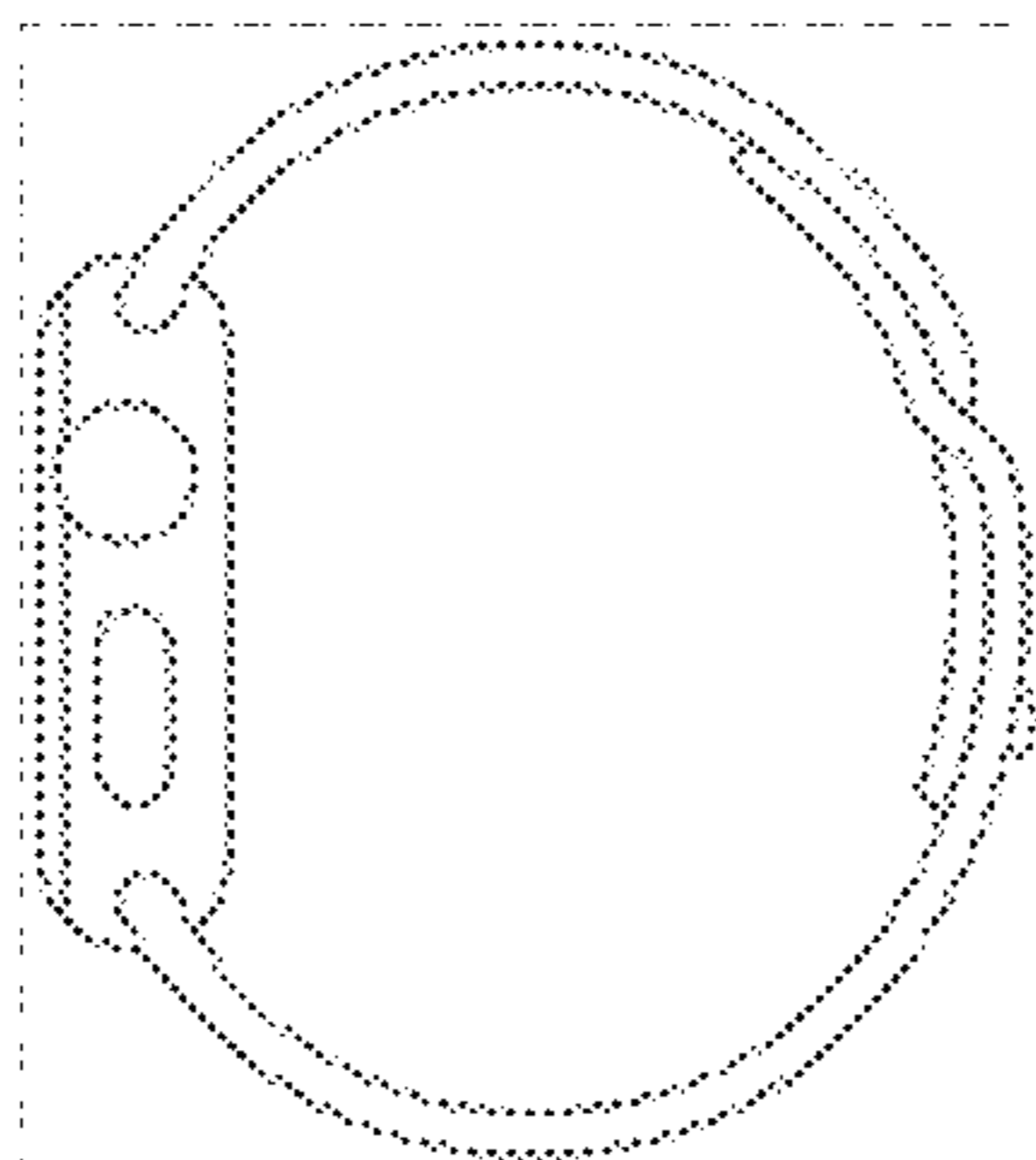
The ornamental design for a label, as shown and described.

DESCRIPTION

The FIGURE is a front view of a label showing our new design.

The broken lines in the FIGURE show portions of the label that form no part of the claimed design.

1 Claim, 1 Drawing Sheet



(56)

References Cited

U.S. PATENT DOCUMENTS

D152,491 S 1/1949 Osier
 3,030,686 A 4/1962 Burkhardt
 3,233,801 A 2/1966 Schulenberg
 3,640,065 A 2/1972 Lederrey et al.
 3,665,565 A 5/1972 Kruger
 3,675,284 A 7/1972 Rieth
 3,983,483 A 9/1976 Pando
 D249,244 S * 9/1978 Salter D10/32
 D269,254 S 6/1983 Kishimoto
 D287,471 S 12/1986 Sato et al.
 D299,718 S 2/1989 Steer et al.
 D305,422 S 1/1990 Steer et al.
 D331,020 S 11/1992 Ishii et al.
 D333,626 S 3/1993 Chang
 D349,864 S 8/1994 Dunlap et al.
 5,363,351 A 11/1994 Carney
 D355,375 S 2/1995 Bandy
 5,386,933 A 2/1995 Greene et al.
 D417,236 S 11/1999 Burrus
 D439,172 S 3/2001 Brzezinski
 D455,093 S 4/2002 Fitzgerald
 D473,818 S 4/2003 Salvisberg
 6,655,831 B1 12/2003 Ruffieux
 D494,098 S 8/2004 Cohen
 D496,589 S 9/2004 Perrenoud
 6,970,157 B2 11/2005 Siddeeq
 D513,195 S 12/2005 Gruosi
 7,004,469 B2 2/2006 Von Goeben
 D517,441 S 3/2006 Heatherly et al.
 D528,439 S 9/2006 Burton
 D528,928 S 9/2006 Burton
 7,106,197 B2 9/2006 Gaiotto et al.
 D535,055 S 1/2007 Been et al.
 D535,205 S 1/2007 Frederick et al.
 D536,265 S 2/2007 Reynoso
 D538,687 S 3/2007 Komulainen
 D549,602 S 8/2007 Oberrieder et al.
 D550,105 S 9/2007 Oberrieder et al.
 D558,227 S 12/2007 Cho et al.
 D559,723 S 1/2008 Kraus et al.
 D560,520 S 1/2008 Oberrieder et al.
 D566,580 S 4/2008 Giorgio
 D569,282 S 5/2008 Daniel
 D572,266 S 7/2008 Anderson et al.
 D573,905 S 7/2008 Poirier
 D574,735 S 8/2008 Landman et al.
 D578,922 S 10/2008 Hoshino
 D581,826 S 12/2008 Molyneux
 D584,170 S 1/2009 Morrison
 D586,823 S 2/2009 Anderson et al.
 D589,375 S 3/2009 Tang
 D596,610 S 7/2009 Hou
 D610,476 S 2/2010 Daniel
 D616,417 S 5/2010 Liao
 7,708,457 B2 5/2010 Girardin et al.
 D637,094 S 5/2011 Cobbett et al.
 D637,918 S 5/2011 Cobbett et al.
 D645,360 S 9/2011 Kiser et al.
 D650,706 S 12/2011 Zanella et al.
 D656,856 S 4/2012 Kleinberg
 8,205,370 B2 6/2012 Padgett et al.
 D666,503 S 9/2012 Bulgari
 D670,583 S 11/2012 Shaanan
 D672,667 S 12/2012 Mix
 D681,483 S 5/2013 Biegert et al.
 8,601,784 B2 12/2013 Kaltenrieder
 D699,701 S 2/2014 Kim
 D709,874 S 7/2014 Aumiller et al.
 D709,875 S * 7/2014 Aumiller D14/344
 D711,872 S 8/2014 Aumiller et al.
 D711,873 S 8/2014 Aumiller et al.
 D715,668 S 10/2014 Roush et al.
 D718,170 S 11/2014 Aumiller et al.
 D720,248 S 12/2014 Law
 D720,249 S 12/2014 Park et al.

D724,469 S 3/2015 Akana et al.
 D737,159 S * 8/2015 Akana D10/32
 D744,356 S * 12/2015 Akana D10/70
 D745,054 S * 12/2015 Bray D14/492
 2010/0061191 A1 3/2010 Chen
 2014/0096345 A1 4/2014 Tschumi
 2014/0098649 A1 4/2014 Tschumi

FOREIGN PATENT DOCUMENTS

CN 203859742 U 10/2014
 DE 10229050 C1 6/2003
 EM 001359301-0002 6/2013
 EP 1098231 A1 5/2001
 EP 2636328 A1 9/2013
 GB 618917 A 3/1949
 GB 1059756 5/1989
 GB 2082277 6/1999
 JP H02310580 A 12/1990
 JP 2005171013 A 6/2005
 JP 2006288484 A 10/2006
 WO DM/049177-024 11/1999
 WO DM/052261-005 8/2000
 WO DM/057659-011 11/2001
 WO DM/057659-012 11/2001
 WO DM/066491-004 3/2005
 WO DM/1072215 9/2009
 WO DM/077452-004 6/2011
 WO 2013182397 A1 12/2013
 WO 2014135709 A2 9/2014

OTHER PUBLICATIONS

Trademark Registration No. 4652622, Apr. 30, 2014 First used in commerce—00/00/1999 (Registrant) Time Will Tell Unlimited, Inc. Limited Liability Company New York.*
 Trademark Registration No. 4608158, Jul. 1, 2013 First used in commerce—00/00/1987 (Registrant) Cartier International A.G. Corporation Switzerland.*
 Design U.S. Appl. No. 29/498,990, filed Aug. 11, 2014.
 Design U.S. Appl. No. 29/498,994, filed Aug. 11, 2014.
 Design U.S. Appl. No. 29/498,995, filed Aug. 11, 2014.
 Design U.S. Appl. No. 29/498,996, filed Aug. 11, 2014.
 Design U.S. Appl. No. 29/498,997, filed Aug. 11, 2014.
 Design U.S. Appl. No. 29/499,042, filed Aug. 11, 2014.
 Design U.S. Appl. No. 29/499,052, filed Aug. 11, 2014.
 Design U.S. Appl. No. 29/499,071, filed Aug. 11, 2014.
 Design U.S. Appl. No. 29/499,075, filed Aug. 11, 2014.
 Design U.S. Appl. No. 29/499,080, filed Aug. 11, 2014.
 Design U.S. Appl. No. 29/499,081, filed Aug. 11, 2014.
 Design U.S. Appl. No. 29/499,082, filed Aug. 11, 2014.
 Design U.S. Appl. No. 29/499,084, filed Aug. 11, 2014.
 Design U.S. Appl. No. 29/499,087, filed Aug. 11, 2014.
 Design U.S. Appl. No. 29/499,088, filed Aug. 11, 2014.
 Design U.S. Appl. No. 29/499,089, filed Aug. 11, 2014.
 Design U.S. Appl. No. 29/499,090, filed Aug. 11, 2014.
 Design U.S. Appl. No. 29/499,091, filed Aug. 11, 2014.
 Design U.S. Appl. No. 29/501,059, filed Aug. 29, 2014.
 Design U.S. Appl. No. 29/501,152, filed Sep. 2, 2014.
 Design U.S. Appl. No. 29/501,624, filed Sep. 5, 2014.
 Design U.S. Appl. No. 29/501,640, filed Sep. 5, 2014.
 Design U.S. Appl. No. 29/501,636, filed Sep. 5, 2014.
 Design U.S. Appl. No. 29/501,641, filed Sep. 5, 2014.
 Design U.S. Appl. No. 29/501,643, filed Sep. 5, 2014.
 Design U.S. Appl. No. 29/501,646, filed Sep. 5, 2014.
 Design U.S. Appl. No. 29/501,720, filed Sep. 8, 2014.
 Design U.S. Appl. No. 29/501,722, filed Sep. 8, 2014.
 Design U.S. Appl. No. 29/501,723, filed Sep. 8, 2014.
 Design U.S. Appl. No. 29/501,733, filed Sep. 8, 2014.
 Design U.S. Appl. No. 29/501,737, filed Sep. 8, 2014.
 Design U.S. Appl. No. 29/501,746, filed Sep. 8, 2014.
 Design U.S. Appl. No. 29/501,752, filed Sep. 8, 2014.
 Design U.S. Appl. No. 29/501,759, filed Sep. 8, 2014.
 Design U.S. Appl. No. 29/501,760, filed Sep. 8, 2014.
 Design U.S. Appl. No. 29/501,763, filed Sep. 8, 2014.

(56)

References Cited

OTHER PUBLICATIONS

Design U.S. Appl. No. 29/501,766, filed Sep. 8, 2014.
 Design U.S. Appl. No. 29/501,770, filed Sep. 8, 2014.
 Design U.S. Appl. No. 29/501,772, filed Sep. 8, 2014.
 Design U.S. Appl. No. 29/501,775, filed Sep. 8, 2014.
 Design U.S. Appl. No. 29/510,041, filed Nov. 24, 2014.
 Design U.S. Appl. No. 29/517,445, filed Feb. 12, 2015.
 Design U.S. Appl. No. 29/517,622, filed Feb. 13, 2015.
 Alvarez, Edgar, "Basis Peak to get its smartwatch-like features in December," *engadget.com*, <<http://www.engadget.com/2014/11/20/basis-peak-new-features/>>, dated Nov. 20, 2014, accessed Dec. 15, 2014.
 "Brand New Ikepod Grey or Orange Rubber Strap , Hemipode , Marc Newson Design," accessed at <http://www.ebay.com/itm/BRAND-NEW-IKEPOD-GREY-OR-ORANGE-RUBBER-STRAP-HEMIPODE-MARC-NEWSON-DESIGN-/291133335907>, last updated Nov. 30, 2014, 3 pages.
 Calar Zhao, "SW102 bluetooth bracelet watch smart healthy Silicone Wristband sports watch Time Display/Caller ID/ alarm/Pedometer + Freeship", accessed at <http://www.aliexpress.com/item/SW102-bluetooth-bracelet-watch-smart-healthy-Silicone-Wristband-sports-watch-Time-Display-Caller-ID-alarm-Pedometer/2039225352_html>, accessed on Nov. 26, 2014.
 Cool Material, "Braun Square Digital Watch," <<http://web.archive.org/web/20111125033014/http://coolmaterial.com/style/braun-square-digital-watch/>>, dated Nov. 25, 2011, accessed Dec. 18, 2014.
 Emily, "Nixon—The Newton Digital," <<http://www.freshnessmag.com/2009/09/08/nixon-the-newton-digital/>>, freshnessmag.com, dated Sep. 8, 2009, accessed Oct. 9, 2014.
 Fitbit, "Fitbit Surge™ Fitness Super Watch" <<https://www.fitbit.com/surge>>, accessed Dec. 15, 2014.
 geekbuying.com, "Makibes unisex red led digital wrist watch with square case silicone watchband—white," <<http://www.geekbuying.com/item/Unisex-Red-LED-Digital-Wrist-Watch-with-Square-Case-Silicone-Watchband---White-326443.html>>, accessed Oct. 9, 2014.
 Hodinkee.com, "Apple iPod Nano Now Available With Mickey Mouse Dial, Also Cheesy, Mechanically Inaccurate Open-Worked Dial," <<http://web.archive.org/web/20111006043916/http://www.hodinkee.com/blog/2011/10/5/apple-ipod-nano-now-available-with-mickey-mouse-dial-also-ch.html>>, dated Oct. 6, 2011, accessed Dec. 18, 2014.
 Homego, "M6 Silver Smart Watch Cell Phone 1.54 inch Bluetooth 3.0 Dialer Outdoor Sports Pedometer," amazon.com, <<http://www.amazon.com/Silver-Bluetooth-Dialer-Outdoor-Pedometer/dp/B00MQTBGK6>>, accessed Dec. 15, 2014.
 Ikepod, "Original Ikepod Watch with GMT—Marc Newson Design," Watchbox.be, <<http://www.watchbox.be/prod/Others-Watches/Marc%20Newson%20Design/item7165.htm#.VJLm2fAo5D8>>, accessed Dec. 17, 2014.
 LG Life's Good, "LG G Watch (W100)," <<http://www.lg.com/us/smart-watches/lg-W100-g-watch>>, accessed Dec. 18, 2014.
 Metawatch, "Frame—Black (MW3005)," <<http://meta.watch/collections/smartwatch-all/products/frame-ss-black-leather>>, accessed Dec. 15, 2014.
 Omate, "Omate TrueSmart: Water-resistant standalone Smartwatch 2.0," <<http://www.kickstarter.com/projects/omate/omate-truesmart-water-resistant-standalone-smartwa>>, dated Aug. 21, 2013, accessed Oct. 8, 2014.
 Ornate, "The TrueSmart™ is the world's first standalone smartwatch 2.0 running on top of Android and OUI 2.0," <<http://www.omate.com/product.html>>, accessed Dec. 15, 2014.

Pebble, "Pebble Smartwatch," *getpebble.com*, <<https://getpebble.com/checkout>>, accessed Dec. 15, 2014.

Samsung, "Samsung Gear™ 2 Charcoal Black SM-R3800VSAXAR," <<http://www.samsung.com/us/mobile/wearable-tech/SM-R3800VSAXAR>>, accessed Dec. 15, 2014.

Samsung, "Samsung Gear S™ , (Sprint), Black SM-R750PZKASPR," <<http://www.samsung.com/us/mobile/wearable-tech/SM-R750PZKASPR>>, accessed Dec. 15, 2014.

Samsung, "Galaxy Gear™ Live, Black SM-R3820ZKAXAR," <<http://www.samsung.com/us/mobile/wearable-tech/SM-R3820ZKAXAR>>, accessed Dec. 15, 2014.

Sony, "SmartWatch 3 SWR50," <<http://www.sonymobile.com/us/products/smartwear/smartwatch-3-swr50/>>, accessed Dec. 15, 2014.

Sony, "SmartWatch," <<http://www.sonymobile.com/us/products/accessories/smartwatch/>>, accessed Dec. 15, 2014.

Stables, James, "Clevercare smartwatch aims to help Alzheimer's suffers and carers: Revamped Sony SmartWatch 2 designed for users that need care," *Wearable News*, <<http://www.wearable.com/wearable-tech/clevercare-smartwatch-aims-to-help-alzheimers-suffers-and-carers-585>>, dated Dec. 15, 2014.

Team Luxe, "Collector's Edition: Hermes Carre H Watch," *Luxpresso*, <<http://luxpresso.com/news-couture/collectors-edition-hermes-carre-h-watch/2814>>, dated Jan. 10, 2011, accessed Dec. 18, 2014.

Ted Baker, "Ted Baker Men's TE1054 Time Flies Contemporary Square Digital Case Watch," <<http://www.amazon.com/Ted-Baker-TE1054-Contemporary-Digital/dp/B0045CRTYO%3FSubscriptionId%3DAKIAJ3U4YRIBWCGKZ2A%26tag%3Dfrases365-20%26linkCode%3Dsp1%26camp%3D2025%26creative%3D165953%26creativeASIN%3DB0045CRTYO>>, accessed Oct. 9, 2014.

Velazco, Chris, "Asus ZenWatch review: subtle and stylish, with a few shortcomings," *Engadget.com*, <<http://www.engadget.com/2014/12/11/asus-zenwatch-review/>>, dated Dec. 11, 2014, accessed Dec. 15, 2014.

Watches Infoniac.com, "Hermes Carre H Watch—Extremely Contemporary Design," <<http://watches.infoniac.com/carre-h-watch-hermes.html>>, dated Aug. 13, 2010, accessed Dec. 18, 2014.

Watchismo, "Braun BN0042 Black Date Leather," <<http://web.archive.org/web/20130815073830/http://www.watchismo.com/braun-bn0042bkbk.aspx>>, dated Aug. 15, 2013, accessed Dec. 18, 2014.

[Online] <http://blogs-images.forbes.com/robertpearl/files/2014/10/Apple-Watch-health-fitness-white-blue-1940x1231.jpg> . Retrieved Feb. 4, 2015.

[Online] <http://www.imedicalapps.com/wp-content/uploads/2014/09/watch-dm.jpg> . Retrieved Feb. 4, 2015.

[Online] http://jewelrynewsnetwork.blogspot.com/2014_01_01_archive.html. Retrieved Mar. 17, 2015. Posted online Jan. 30, 2014.

[Online] <https://s-media-cache-ak0.pinimg.com/736x/bd/9d/7d/bd9d7d7b5618e1518d744dd28c999fc4.jpg>. Retrieved Mar. 31, 2015.

[Online] http://timerecs.com/imgs/a/c/s/v/b/ikepod_hemipode_marc_newson_marcus_limited_limited_edition_black_dlc_chronograph_46mm_5_lgw.jpg. Retrieved Mar. 31, 2015.

[Online] <http://www.ablogtowatch.com/10-interesting-facts-marc-newson-watch-design-work-ikepod/>. Retrieved Mar. 17, 2015. Posted online Sep. 9, 2014.

* cited by examiner

