

US00D755294S

(12) **United States Design Patent**  
**Azzano et al.**

(10) **Patent No.:** **US D755,294 S**  
(45) **Date of Patent:** **\*\* \*May 3, 2016**

(54) **AUTOMATED COFFEE VENDING KIOSK**

(71) Applicant: **Feniks, Inc.**, Seattle, WA (US)

(72) Inventors: **Lawrence David Azzano**, Seattle, WA (US); **Kenneth J. Redding**, Bellevue, WA (US); **James Michael Craig**, Seattle, WA (US)

(73) Assignee: **Fenicks, Inc.**, Seattle, WA (US)

(\*) Notice: This patent is subject to a terminal disclaimer.

(\*\*) Term: **14 Years**

(21) Appl. No.: **29/449,994**

(22) Filed: **Mar. 15, 2013**

(51) **LOC (10) Cl.** ..... **20-01**

(52) **U.S. Cl.**  
USPC ..... **D20/8**

(58) **Field of Classification Search**  
USPC ..... D20/1-9; 221/2, 6, 9, 12, 13, 76, 81, 221/96, 110, 123, 124, 140, 150 R, 150 A, 221/150 HC, 155, 156, 159, 190, 213, 231, 221/251, 311; D99/28; D7/305-312; 141/174; 194/236, 239, 350  
CPC ..... G07F 9/02; G07F 9/026; G07F 9/06; G07F 11/00; G07F 11/06; G07F 11/24; G07F 11/62; G07F 11/165; G07F 13/00; G07F 13/10; G07F 17/42  
See application file for complete search history.

(56) **References Cited**

U.S. PATENT DOCUMENTS

2,827,927 A \* 3/1958 Findlay ..... 177/52  
3,552,976 A 1/1971 King  
5,139,127 A \* 8/1992 Ficken et al. .... 194/239  
5,261,467 A \* 11/1993 Yamamoto et al. .... 141/174

5,957,033 A 9/1999 In-Albon  
D460,489 S \* 7/2002 Dickson ..... D20/5  
7,207,462 B2 4/2007 Gunderson et al.  
D624,778 S \* 10/2010 Meldrum et al. .... D7/307  
7,899,713 B2 3/2011 Rothschild  
D638,476 S \* 5/2011 Hoffman et al. .... D20/1  
8,340,815 B2 12/2012 Peters et al.  
D706,351 S \* 6/2014 Egli et al. .... D20/4  
2013/0022723 A1 1/2013 Azzano et al.

FOREIGN PATENT DOCUMENTS

JP 02190996 7/1990  
JP 10275275 10/1998

OTHER PUBLICATIONS

U.S. Appl. No. 13/842,368, filed Mar. 15, 2013, Azzano et al.

(Continued)

*Primary Examiner* — Mary Ann Calabrese

(74) *Attorney, Agent, or Firm* — Seattle Patent Group LLC; James Haugen

(57) **CLAIM**

The ornamental design for the automated coffee vending kiosk, as shown and described.

**DESCRIPTION**

FIG. 1 is an isometric view of an automated coffee vending kiosk showing our design.

FIG. 2 is a front view thereof.

FIG. 3 is a back view thereof.

FIG. 4 is a left side view thereof.

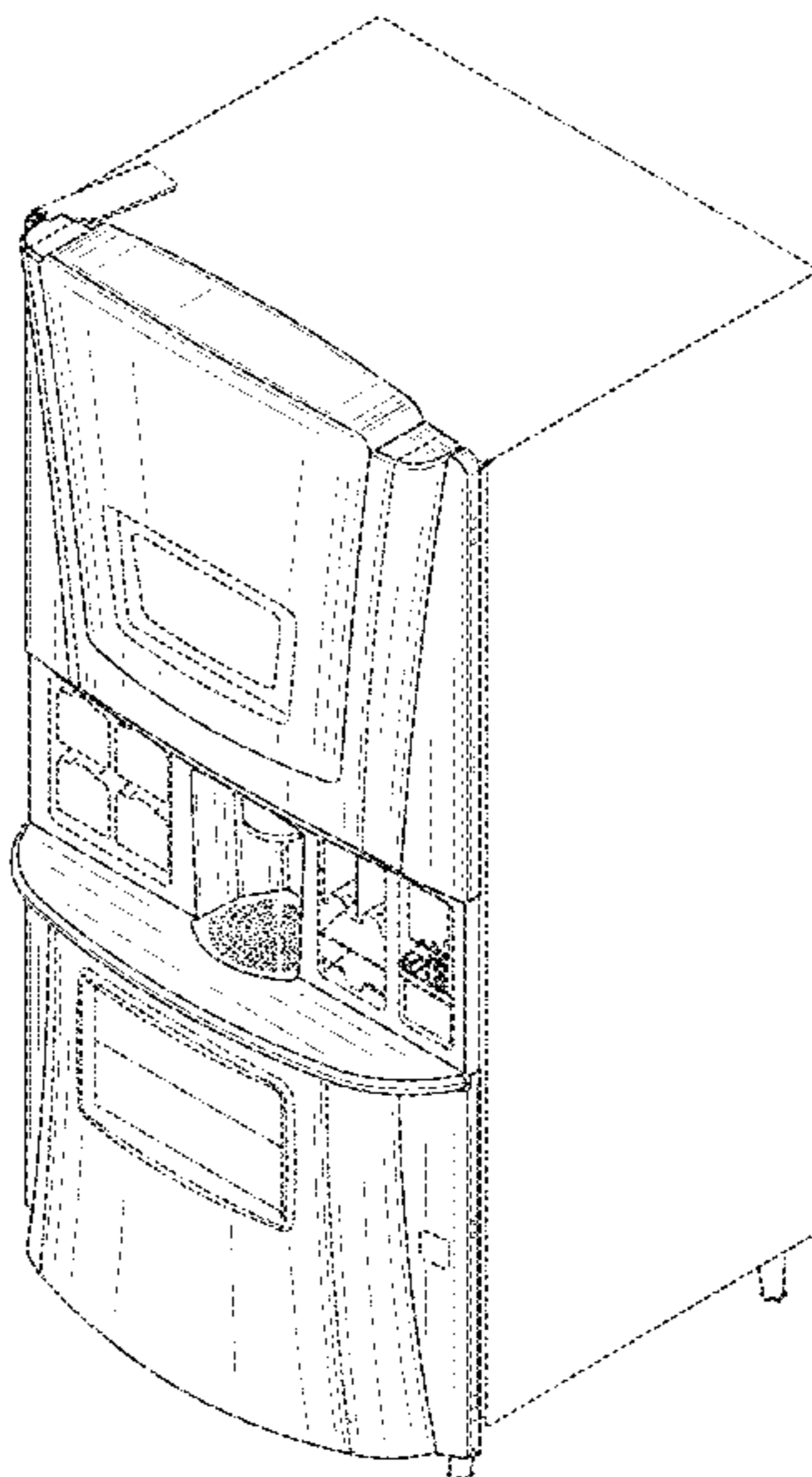
FIG. 5 is a right side view thereof.

FIG. 6 is a top view thereof; and,

FIG. 7 is a bottom view thereof.

In the drawings, the broken lines represent portions of the automated coffee vending kiosk and form no part of the claimed design.

**1 Claim, 6 Drawing Sheets**



(56)

**References Cited**

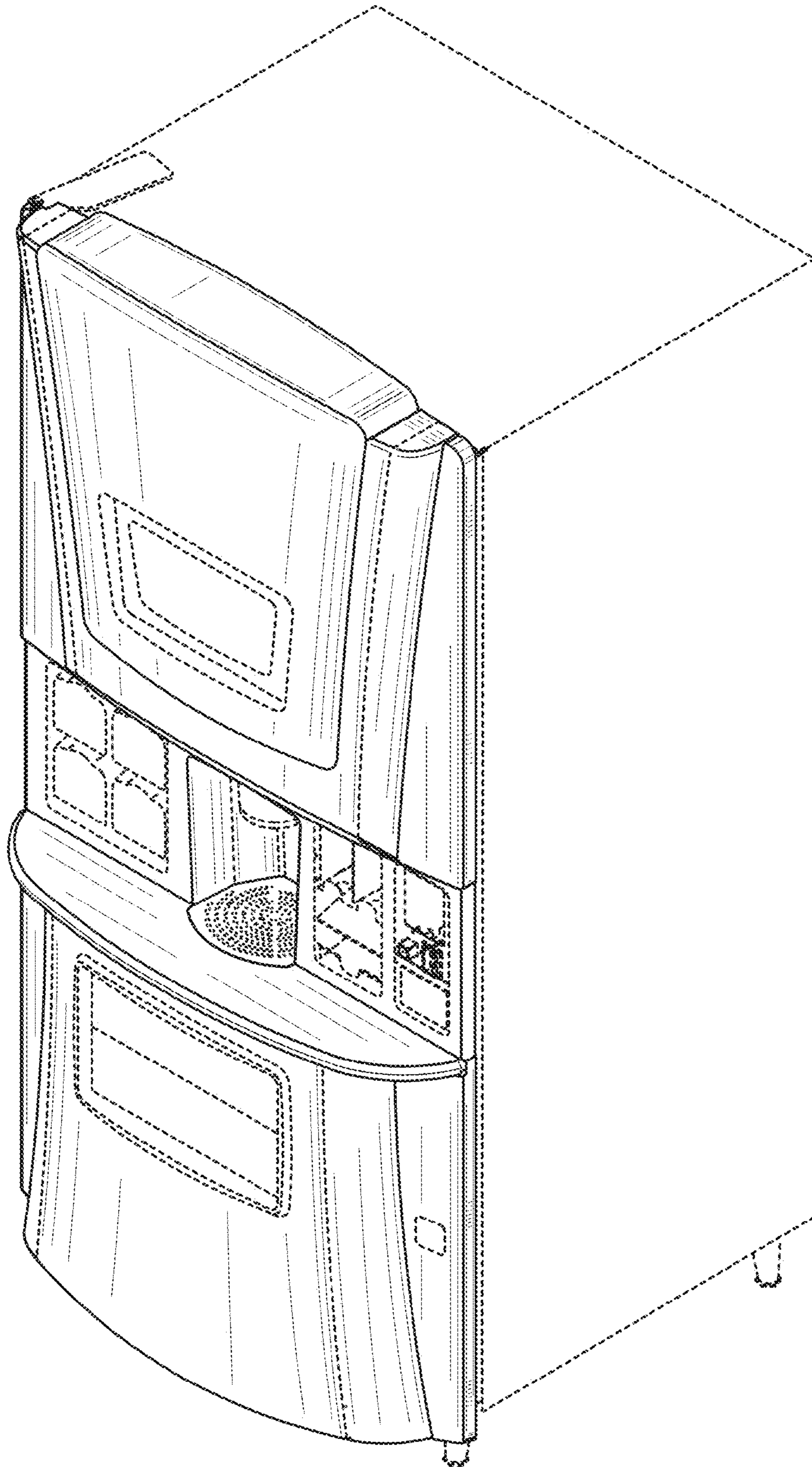
OTHER PUBLICATIONS

Future of Coffee—Introducing the BeMoved Coffee Machine concept, Douwe Egberts Coffee Systems [online], Uploaded to YouTube Oct. 13, 2009 [retrieved on Jan. 29, 2013], Retrieved from the

Internet: URL: [http://www.youtube.com/watch?v=ZY1uDPO\\_3](http://www.youtube.com/watch?v=ZY1uDPO_3) pages.

VKI Technologies Inc. 9 oz Brewer [online], Feb. 1999, Retrieved from the Internet: URL: <http://www.vkitech.com/pdf/en/brew1.pdf>, 2 pages.

\* cited by examiner



*Fig. 1*

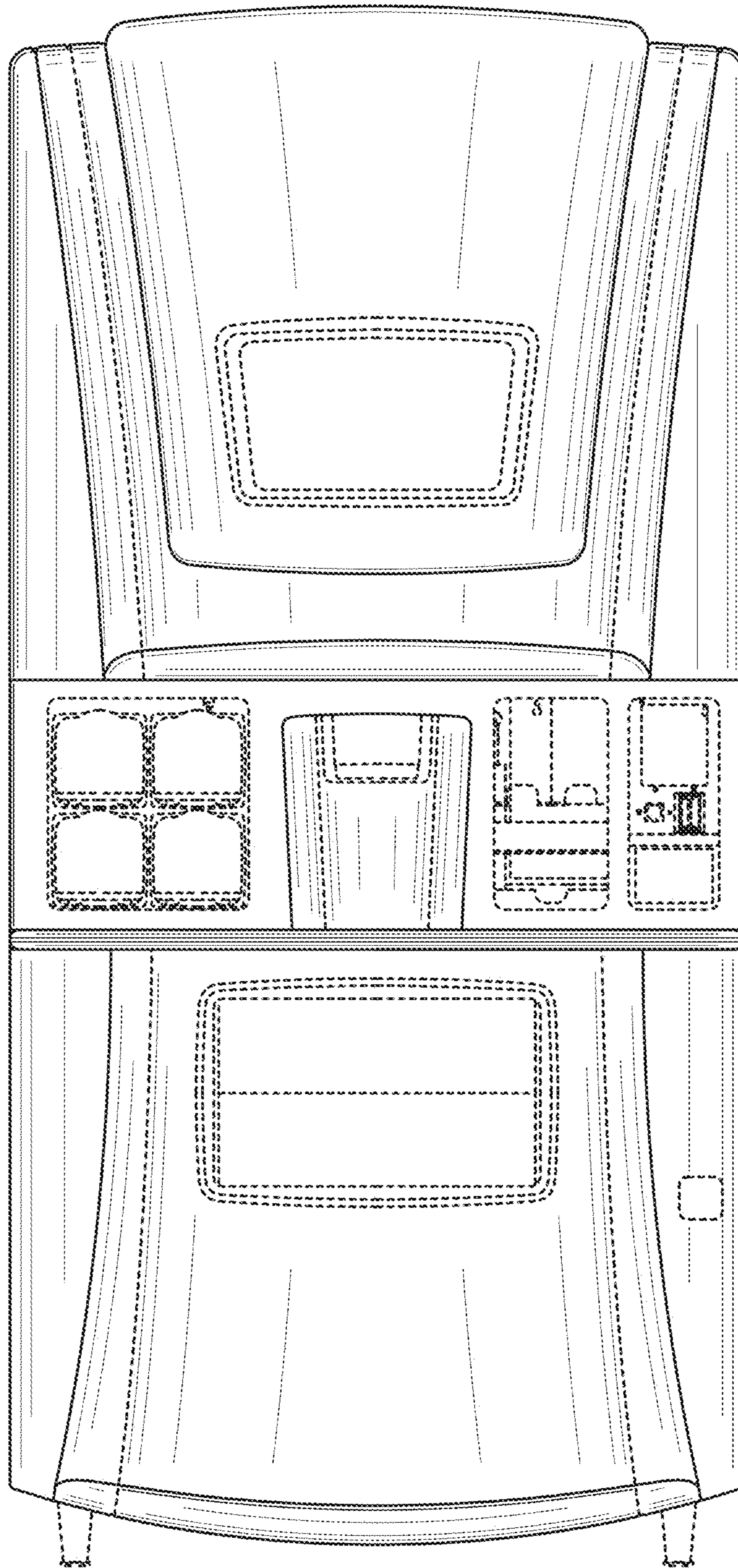
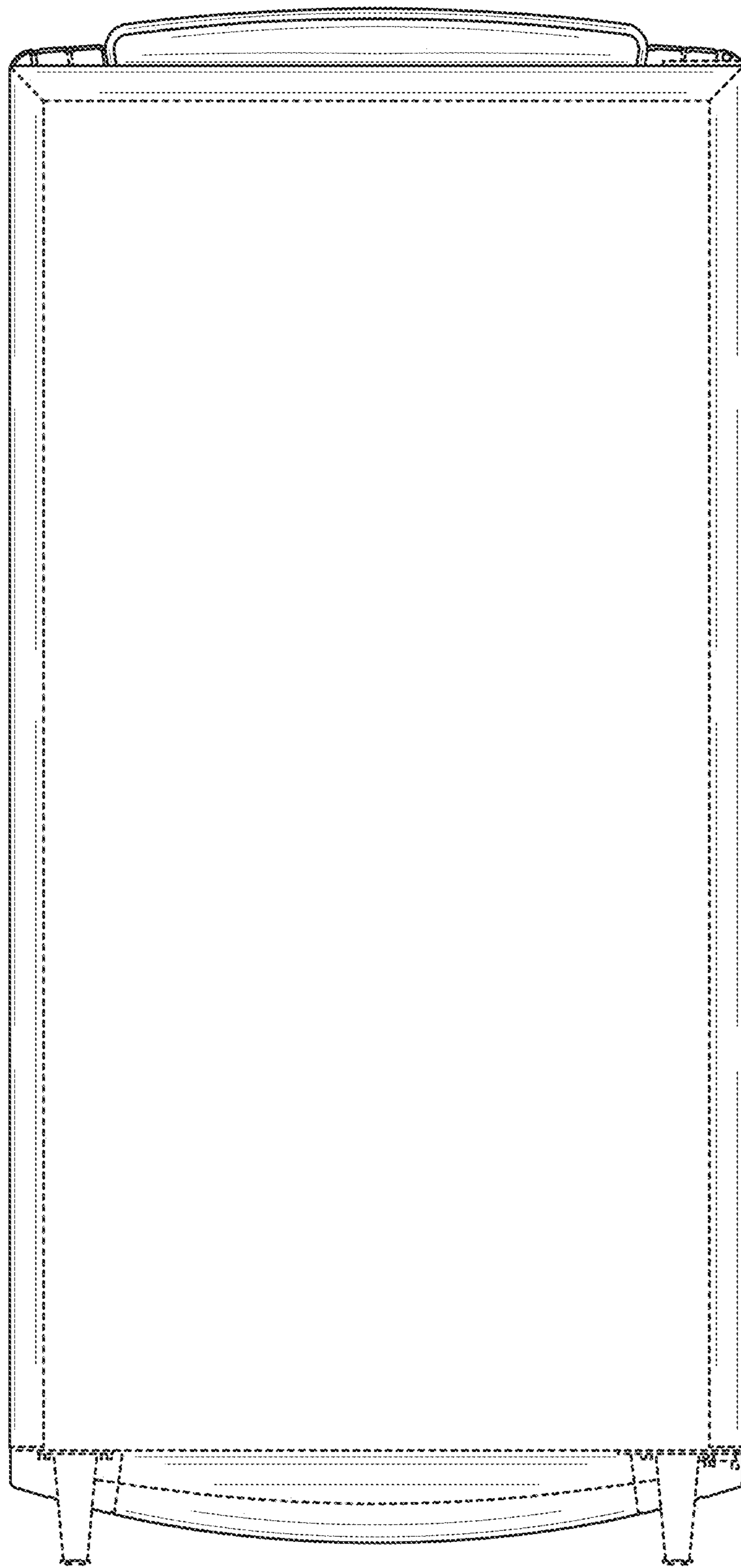


Fig. 2



*Fig. 3*

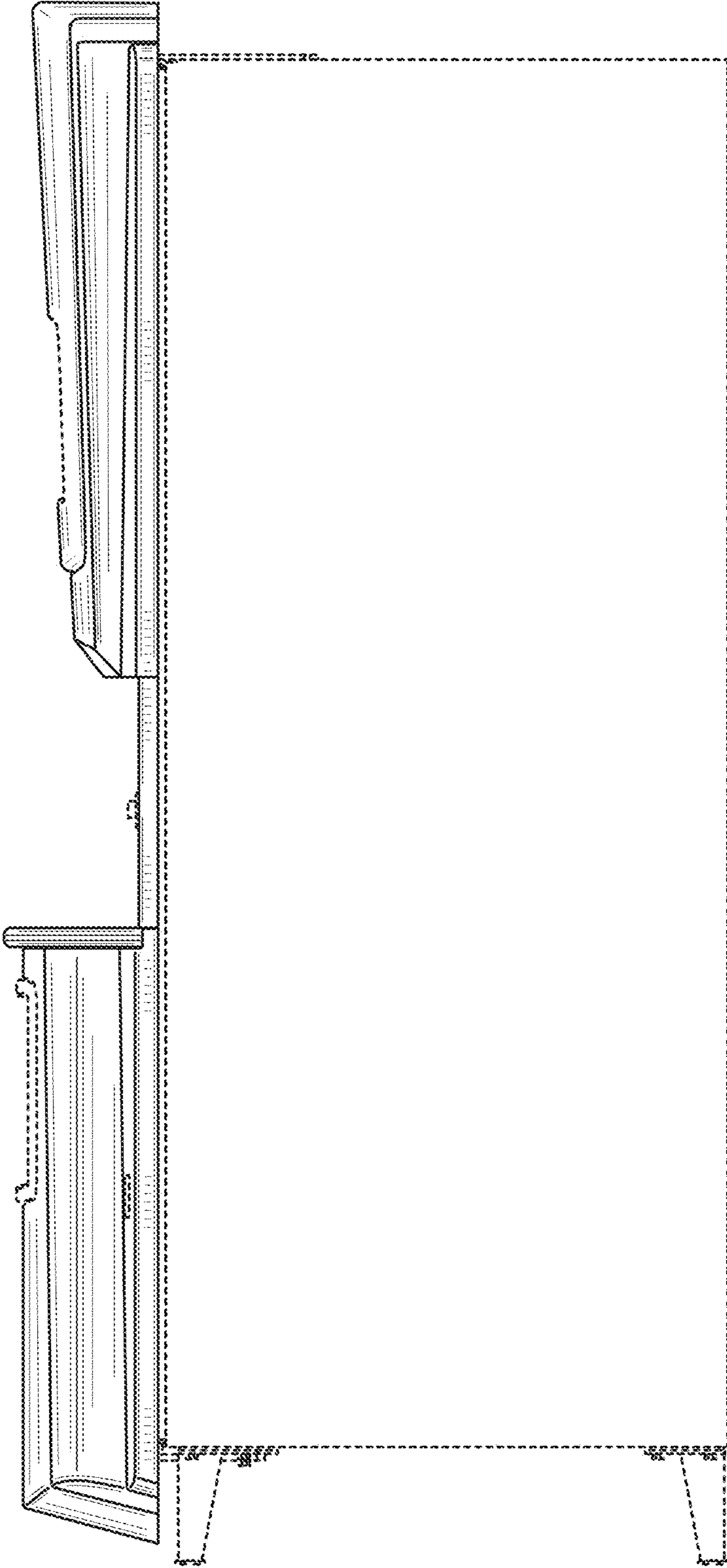


Fig. 4

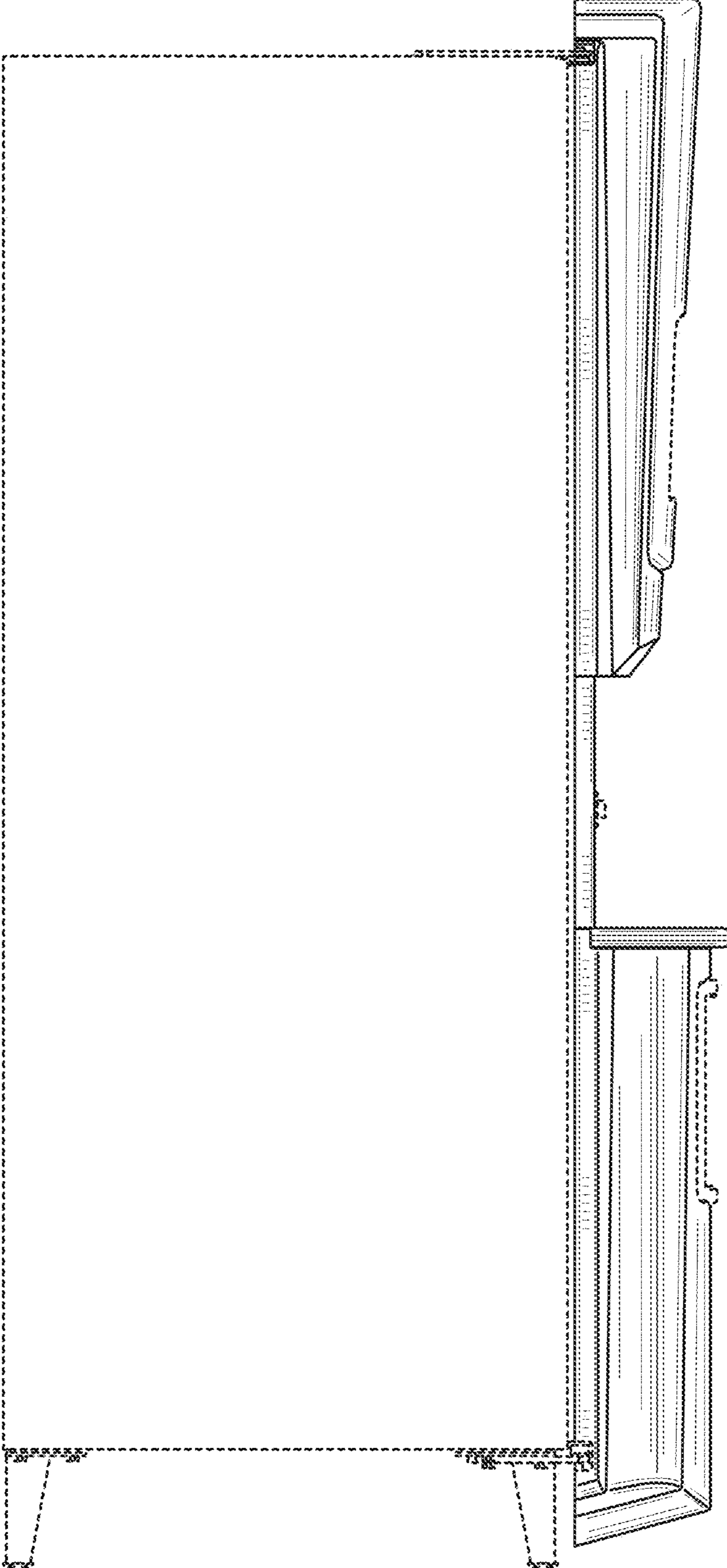
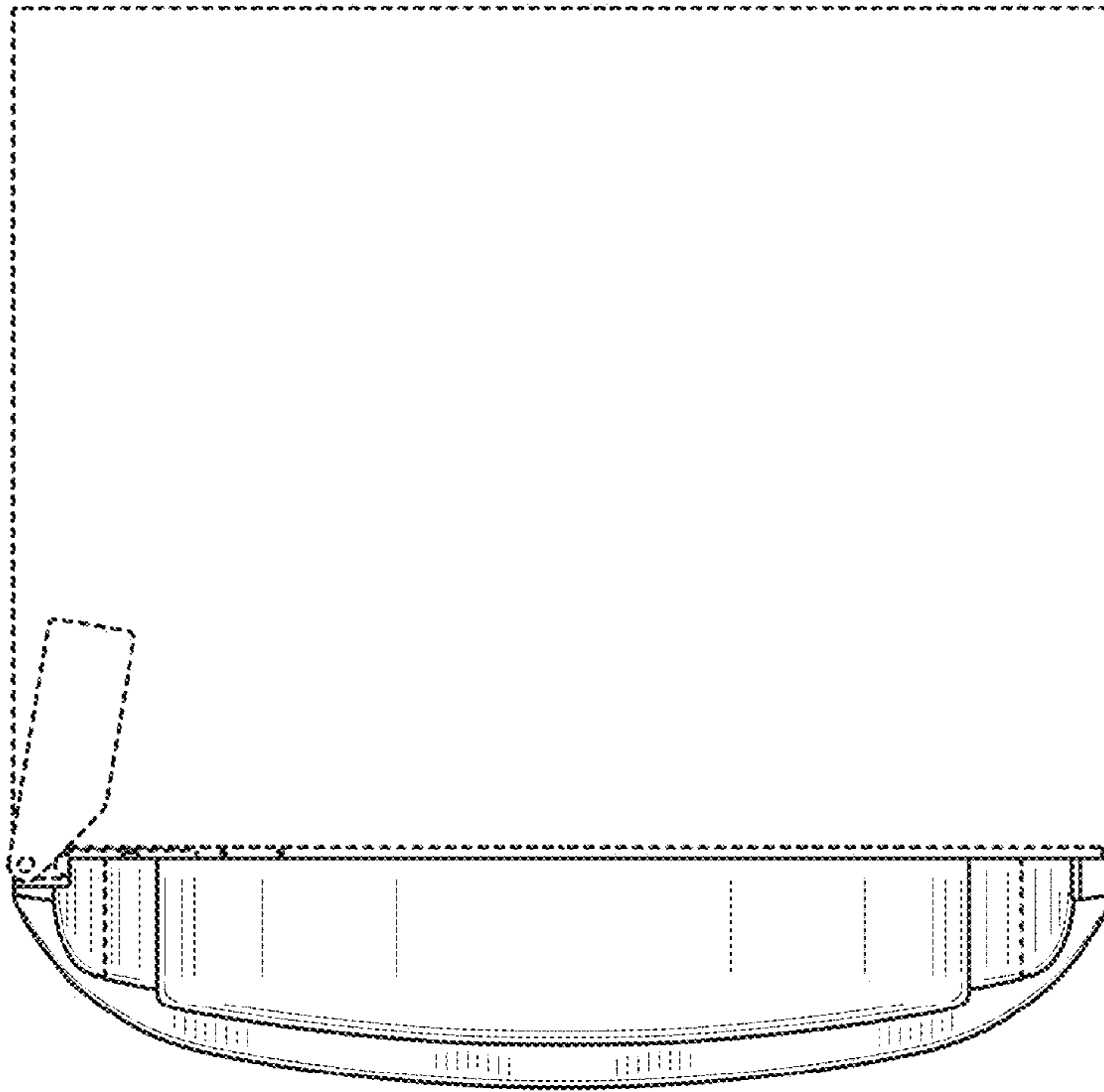
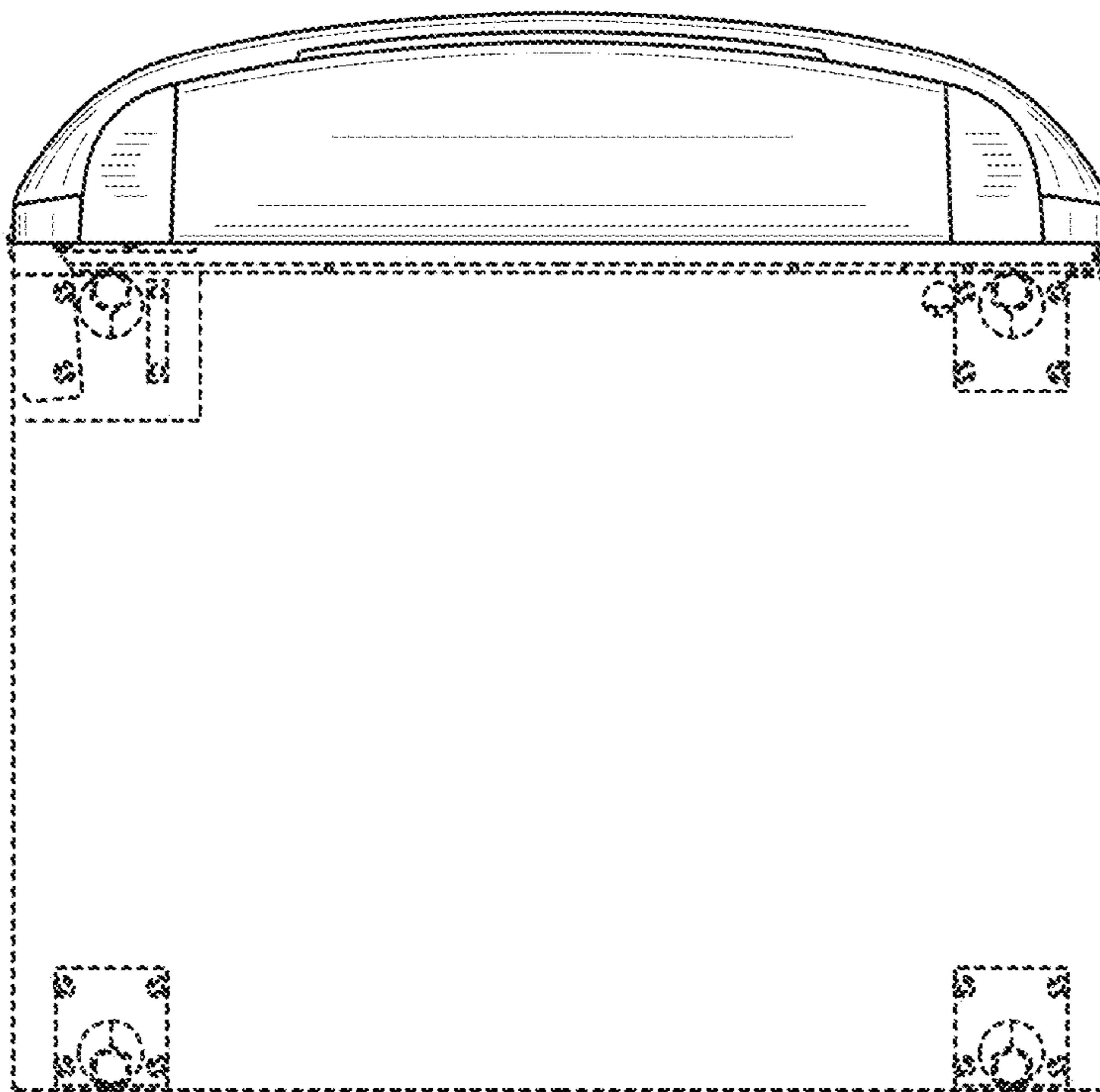


Fig. 5



*Fig. 6*



*Fig. 7*