



US00D755292S

(12) **United States Design Patent**
Sirotych et al.

(10) **Patent No.:** **US D755,292 S**
(45) **Date of Patent:** **** May 3, 2016**

(54) **INTERACTIVE BOARD**

(71) Applicant: **SMART Technologies ULC**, Calgary (CA)

(72) Inventors: **Roberto Sirotych**, Calgary (CA); **Alan Peter Boykiw**, Calgary (CA)

(73) Assignee: **SMART TECHNOLOGIES ULC**, Calgary (CA)

(**) Term: **14 Years**

(21) Appl. No.: **29/516,998**

(22) Filed: **Feb. 9, 2015**

(51) **LOC (10) Cl.** **19-06**

(52) **U.S. Cl.**
USPC **D19/113**

(58) **Field of Classification Search**
USPC D6/300–314; D14/336, 341, 371, 374; D19/113, 114; D20/27, 42
CPC G09F 7/00; G09F 7/02; G09F 7/06; G09F 15/00; B43L 1/00; B43L 1/04; B43L 1/12
See application file for complete search history.

7,604,481 B2 * 10/2009 Owen A47B 97/001 434/408
D617,834 S * 6/2010 Vasconcelos D19/113
7,733,529 B2 * 6/2010 Nishiie H04N 1/12 358/1.1
D626,599 S * 11/2010 Ogawa D19/113
7,889,376 B2 * 2/2011 Nishiie H04N 1/00543 345/156
D669,534 S * 10/2012 Nakashima D19/113
D683,403 S * 5/2013 Vasconcelos D19/113
D690,295 S * 9/2013 Fletcher D14/336
D690,361 S * 9/2013 Kang D19/113
D690,362 S * 9/2013 Kang D19/113
8,619,027 B2 * 12/2013 Hill G06F 3/03545 345/156
D701,570 S * 3/2014 Fletcher D19/113
D705,356 S * 5/2014 Kang D19/113
D709,554 S * 7/2014 Kang D19/113
2008/0151314 A1 * 6/2008 Nishiie H04N 1/12 358/401
2011/0169736 A1 * 7/2011 Bolt G06F 1/1639 345/158
2011/0242006 A1 * 10/2011 Thompson G06F 3/03545 345/173

* cited by examiner

Primary Examiner — Elizabeth Albert
(74) *Attorney, Agent, or Firm* — Perkins Coie LLP

(57) **CLAIM**
The ornamental design for an interactive board, as shown and described.

DESCRIPTION

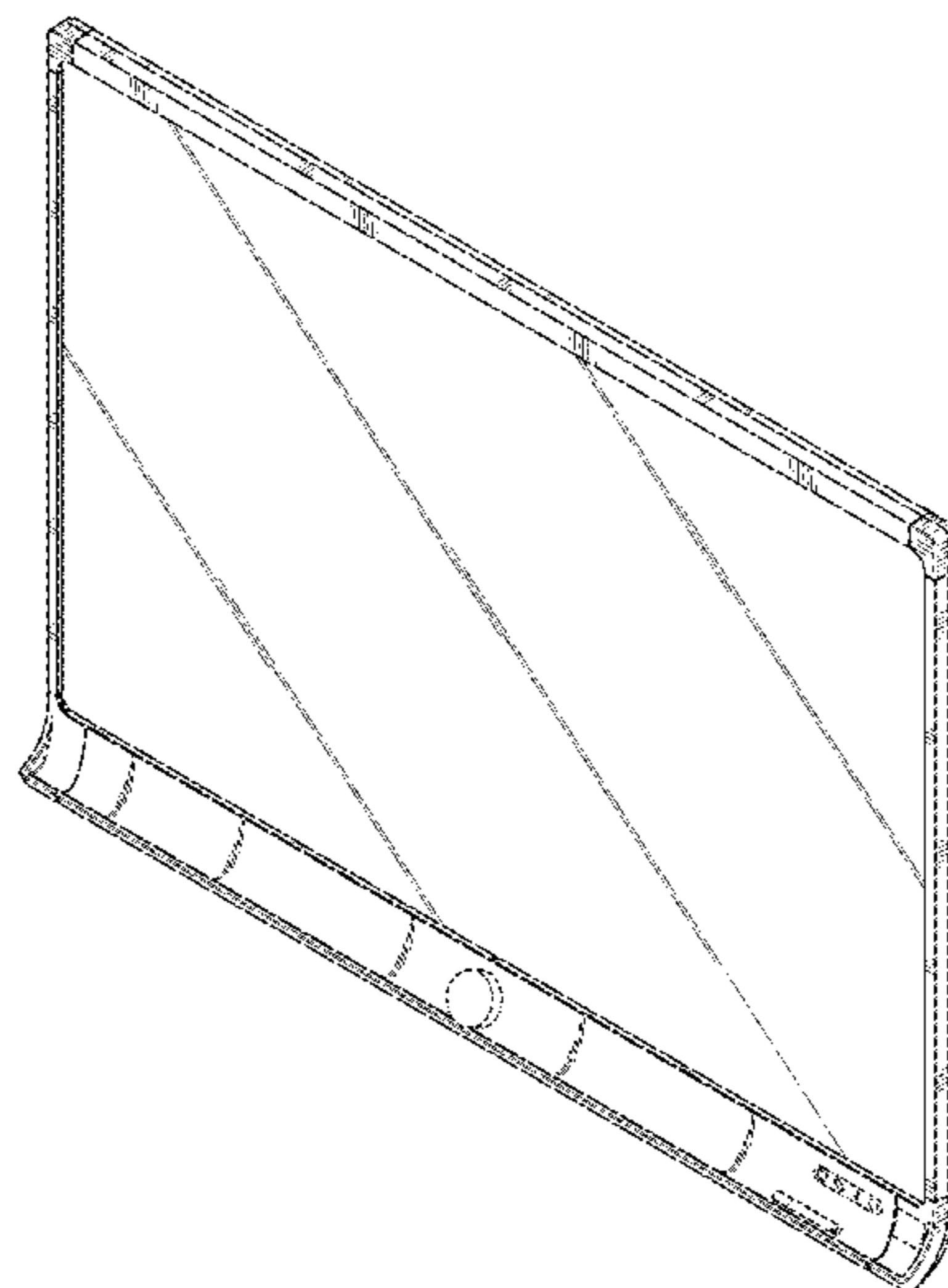
FIG. 1 is a perspective view of an interactive board showing our new design;
FIG. 2 is a front elevational view thereof;
FIG. 3 is a left side elevational view thereof;
FIG. 4 is a top plan view thereof;
FIG. 5 is a bottom plan view thereof;
FIG. 6 is a rear elevation view thereof; and,
FIG. 7 is a right side elevational view thereof.
The stippled lines are provided for illustrative purposes only and form no part of the subject design.

1 Claim, 4 Drawing Sheets

(56) **References Cited**

U.S. PATENT DOCUMENTS

2,249,663 A * 7/1941 Minnick A47G 1/0611 40/748
D165,038 S * 10/1951 Windhorst D19/113
D174,188 S * 3/1955 Martin D19/113
3,477,404 A * 11/1969 Robinson G09F 11/23 116/308
D300,041 S * 2/1989 Kurozumi D18/36
5,176,522 A * 1/1993 Robertson, Jr. B43L 1/00 434/408
5,301,477 A * 4/1994 Rellinger A47B 97/001 248/220.21
D413,146 S * 8/1999 Moore D19/113
D593,156 S * 5/2009 Vasconcelos D19/113



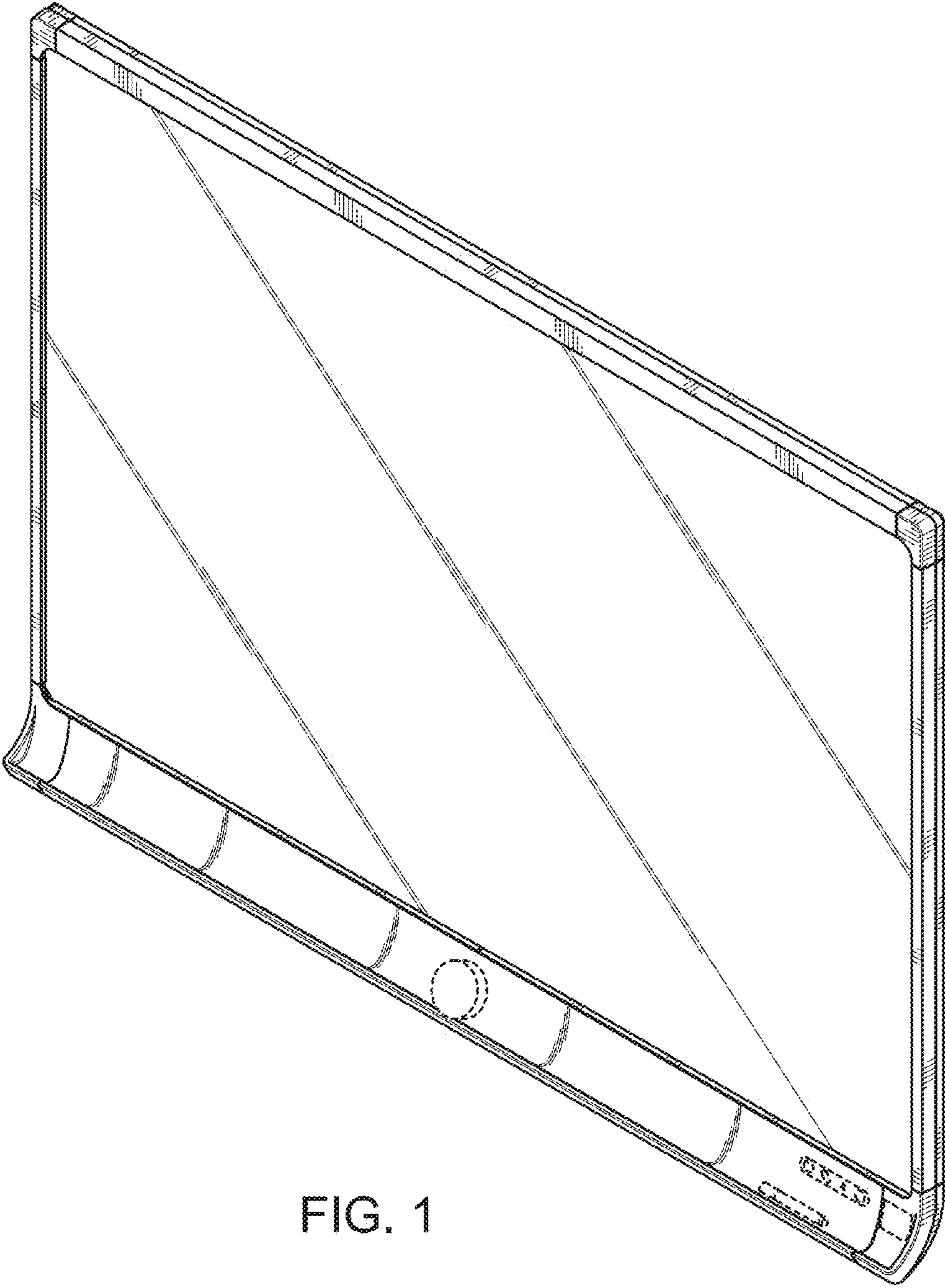


FIG. 1

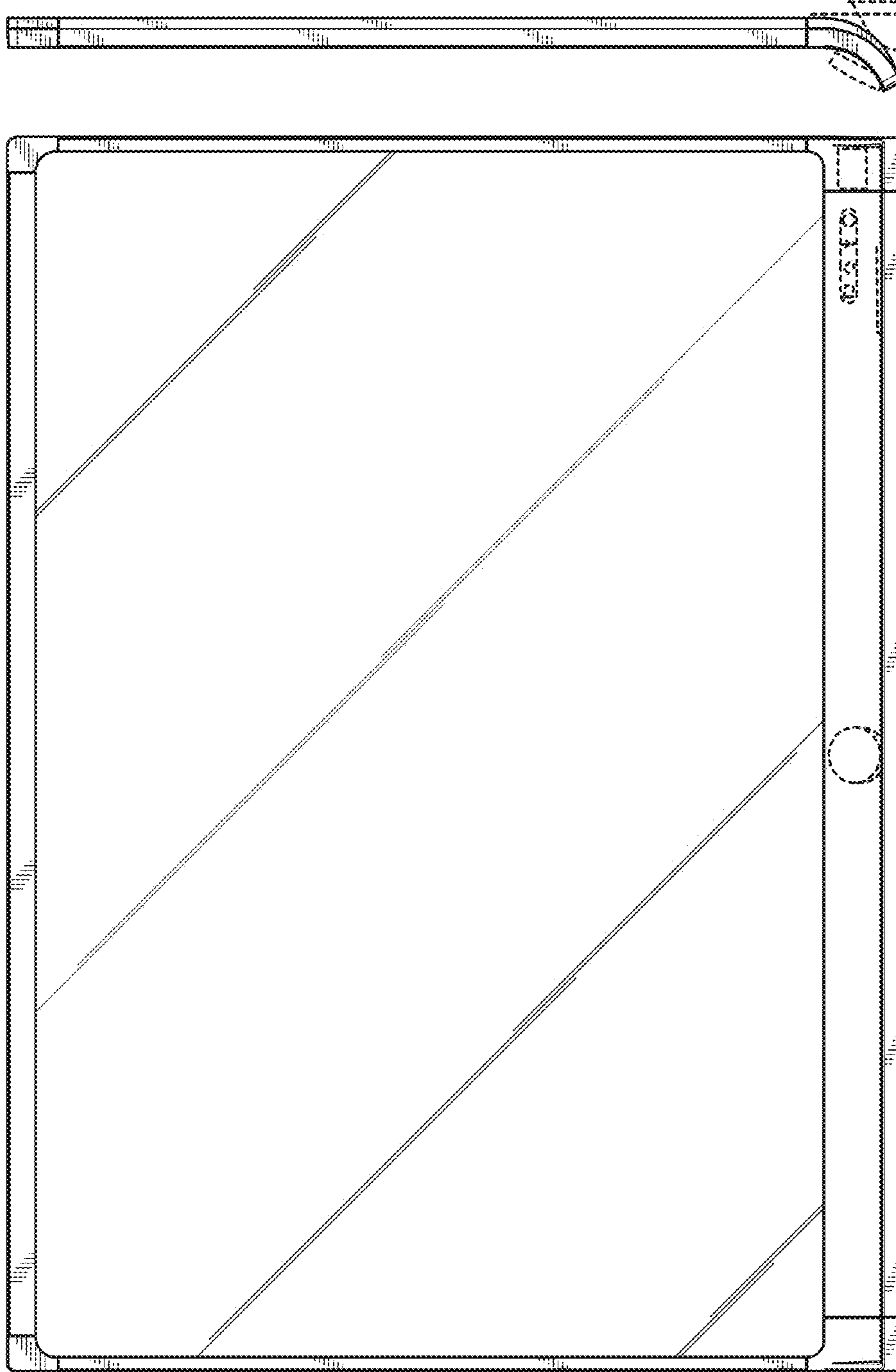


FIG. 2

FIG. 3

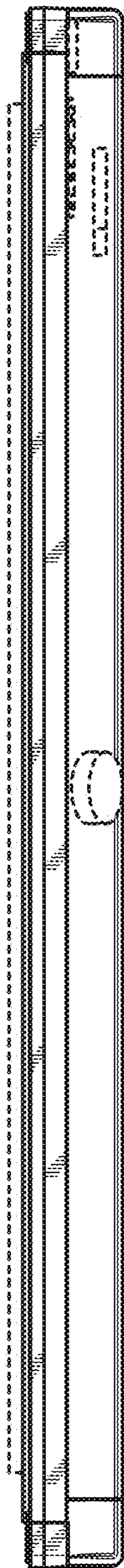


FIG. 4



FIG. 5

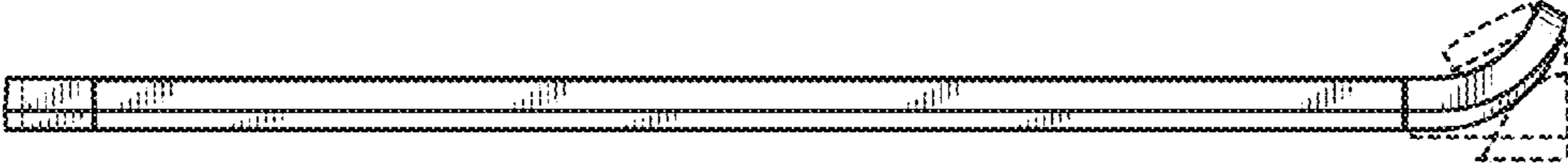


FIG. 7

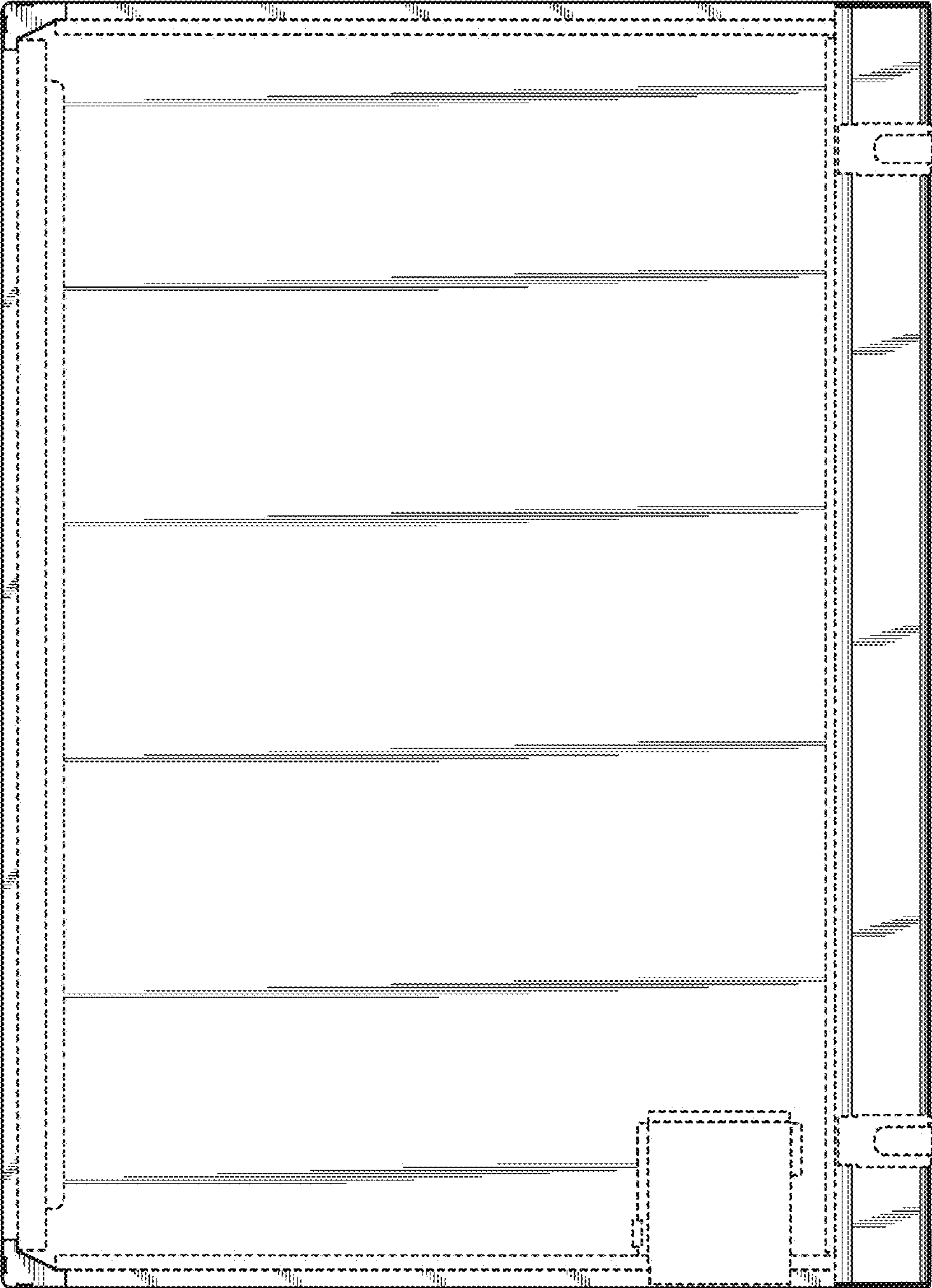


FIG. 6