



US00D755291S

(12) **United States Design Patent**
Klideris

(10) **Patent No.:** **US D755,291 S**
(45) **Date of Patent:** **** May 3, 2016**

(54) **PALETTE**
(71) Applicant: **Kostoula Tina Klideris**, Flushing, NY (US)
(72) Inventor: **Kostoula Tina Klideris**, Flushing, NY (US)
(**) Term: **14 Years**
(21) Appl. No.: **29/507,458**
(22) Filed: **Oct. 28, 2014**
(51) **LOC (10) Cl.** **19-06**
(52) **U.S. Cl.**
USPC **D19/103**
(58) **Field of Classification Search**
USPC D19/102, 103, 104, 105, 106, 107, 75, D19/86, 90, 91, 92; D7/698, 699
CPC .. B65D 21/0201; B65D 21/0204; B44D 3/12; B44D 3/122; B44D 3/02
See application file for complete search history.

5,277,302 A * 1/1994 Seisa B44D 3/123 206/1.8
D354,513 S * 1/1995 Jay D19/103
D362,018 S * 9/1995 Damm D19/103
5,484,637 A * 1/1996 Paragon B44D 3/02 206/1.7
6,189,698 B1 * 2/2001 Asser A45C 11/008 132/314
D441,915 S 5/2001 Wardlaw
6,532,617 B2 * 3/2003 Russo B05D 1/28 15/257.01
6,739,345 B2 5/2004 Stanley, III
D587,970 S * 3/2009 Zack D7/541
7,614,405 B2 11/2009 Allen et al.
D611,306 S * 3/2010 Zack D19/103
D688,007 S 8/2013 Sarao et al.
2008/0116084 A1 5/2008 Nelson
2009/0166246 A1 7/2009 Haloulos et al.
2010/0032322 A1 2/2010 O'Neill
2011/0155752 A1 6/2011 Ha
2012/0211017 A1 8/2012 Bajaj et al.
2012/0255572 A1 10/2012 Dan
2013/0062225 A1 3/2013 LaVaque et al.

* cited by examiner

Primary Examiner — Elizabeth Albert

(74) *Attorney, Agent, or Firm* — Carter, DeLuca, Farrell & Schmidt, LLP

(56) **References Cited**

U.S. PATENT DOCUMENTS

2,310,752 A * 2/1943 Sillman B44D 3/02 108/43
D150,279 S * 7/1948 Wies 132/73
D172,222 S * 5/1954 Coverdell D28/76
3,023,884 A * 3/1962 Schwartz B44D 3/02 206/1.7
D219,785 S * 1/1971 Sallak D19/103
3,804,030 A * 4/1974 Israel B44D 3/02 108/43
D280,137 S 8/1985 Guttenplan et al.
D281,916 S * 12/1985 Spierto D19/103
D286,094 S 10/1986 Coller
4,735,306 A * 4/1988 Smit B44D 3/02 206/1.8
4,740,014 A 4/1988 Holt
4,884,680 A 12/1989 Israel et al.

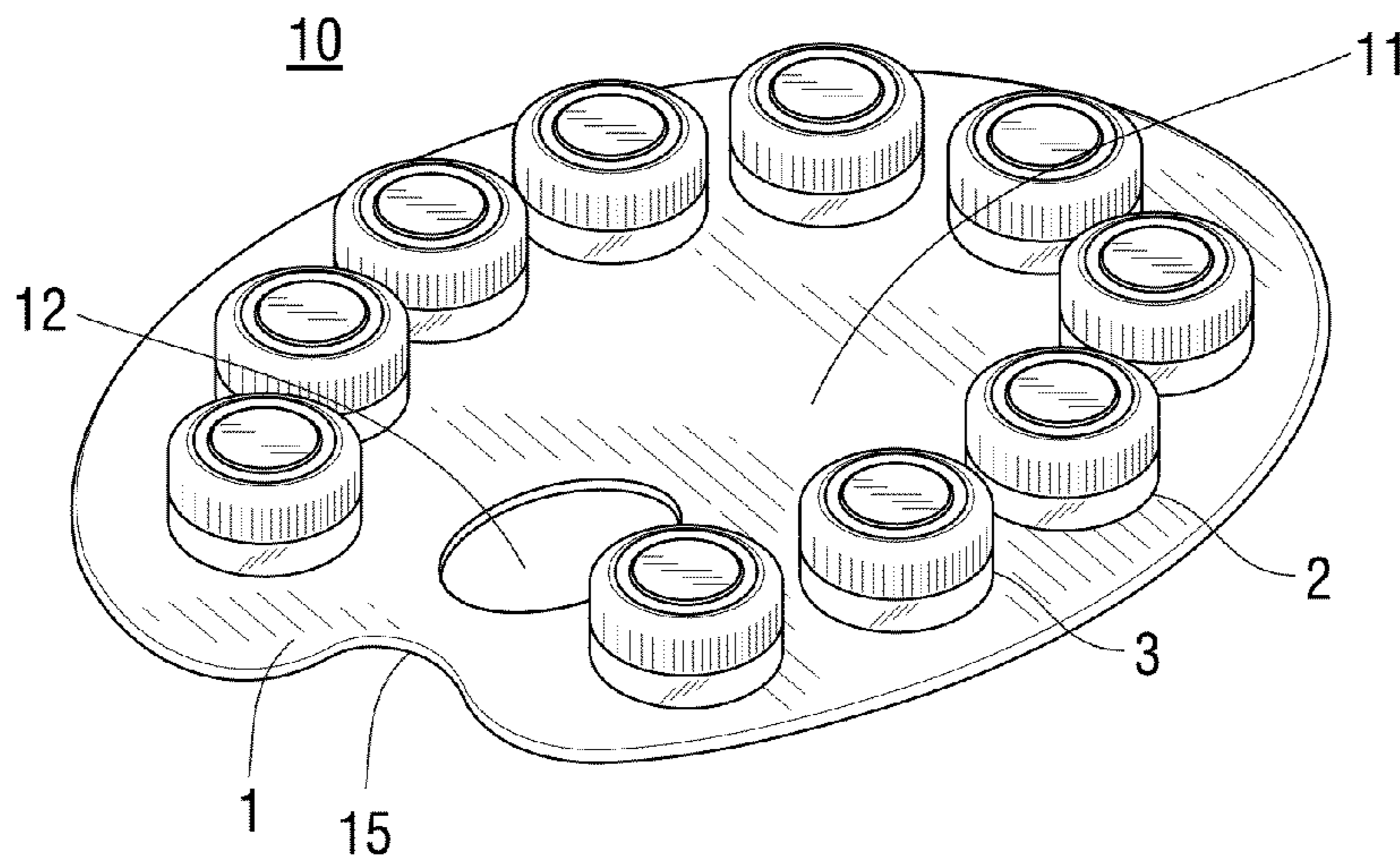
(57) **CLAIM**

The ornamental design for a palette, as shown and described.

DESCRIPTION

FIG. 1 is a top front perspective view of a palette showing my new design;
FIG. 2 is a front elevation view thereof;
FIG. 3 is a rear elevation view thereof;
FIG. 4 is a left side elevation view thereof;
FIG. 5 is a right side elevation view thereof;
FIG. 6 is a top plan view thereof; and,
FIG. 7 is a bottom plan view thereof.

1 Claim, 4 Drawing Sheets



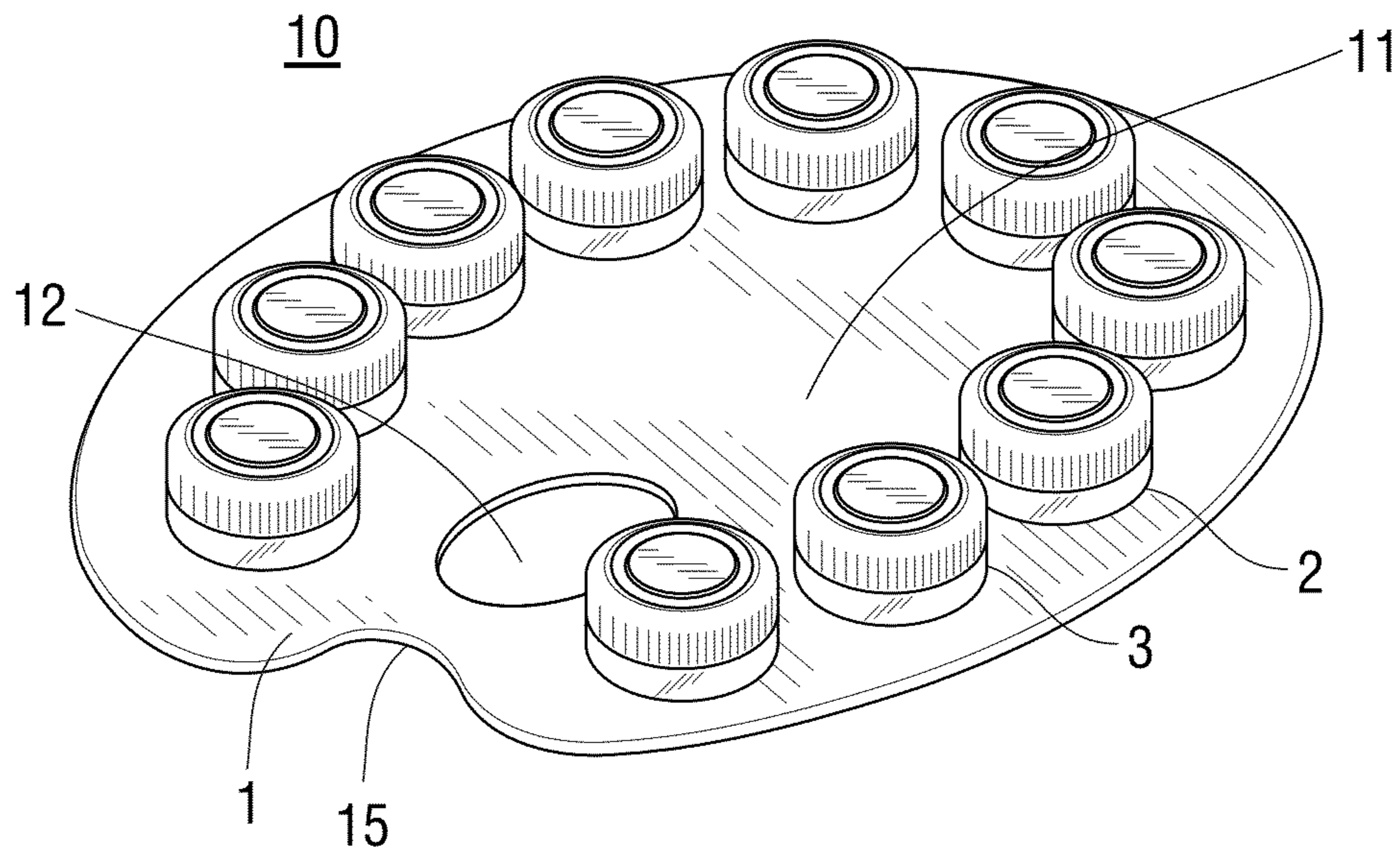


FIG. 1

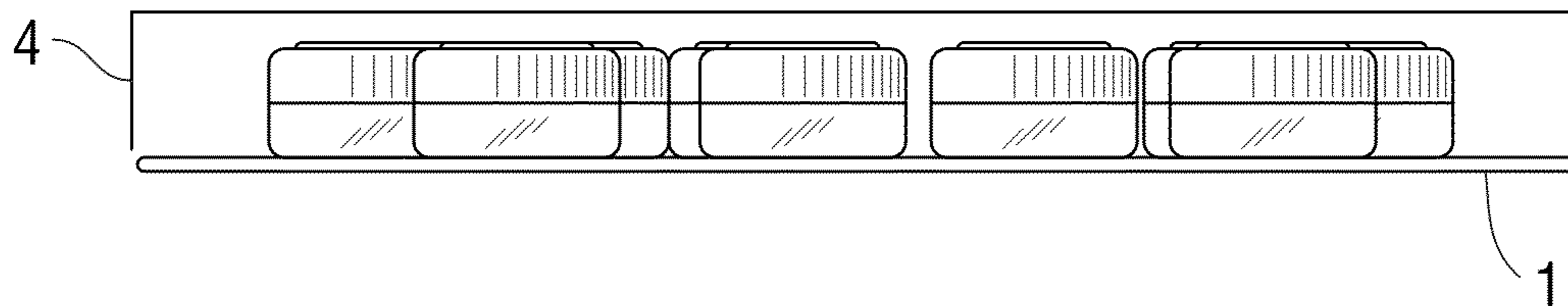
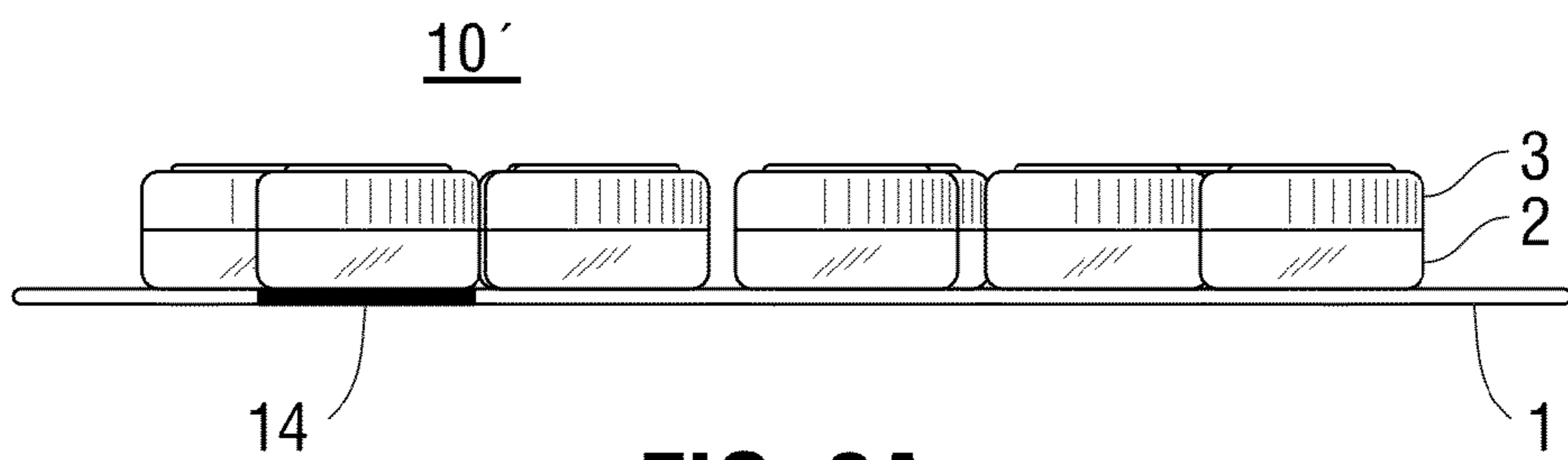
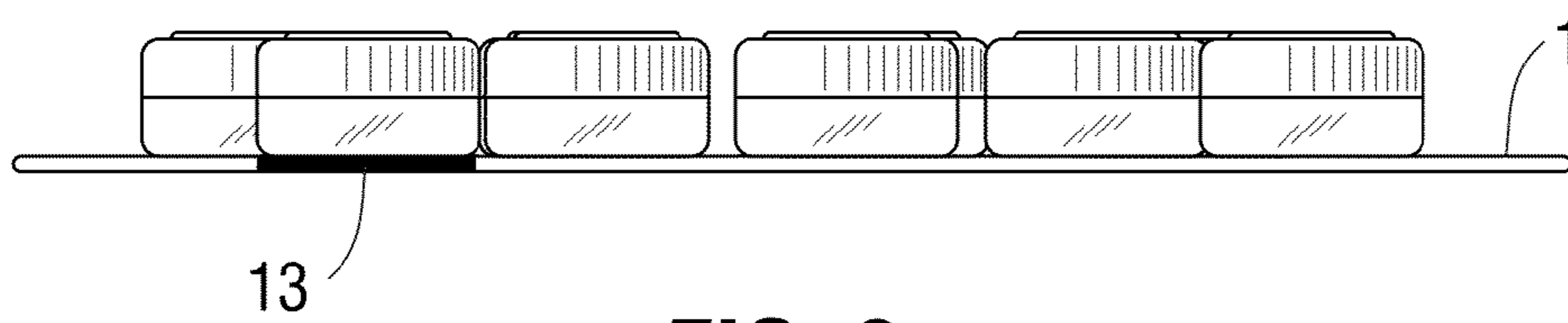


FIG. 2



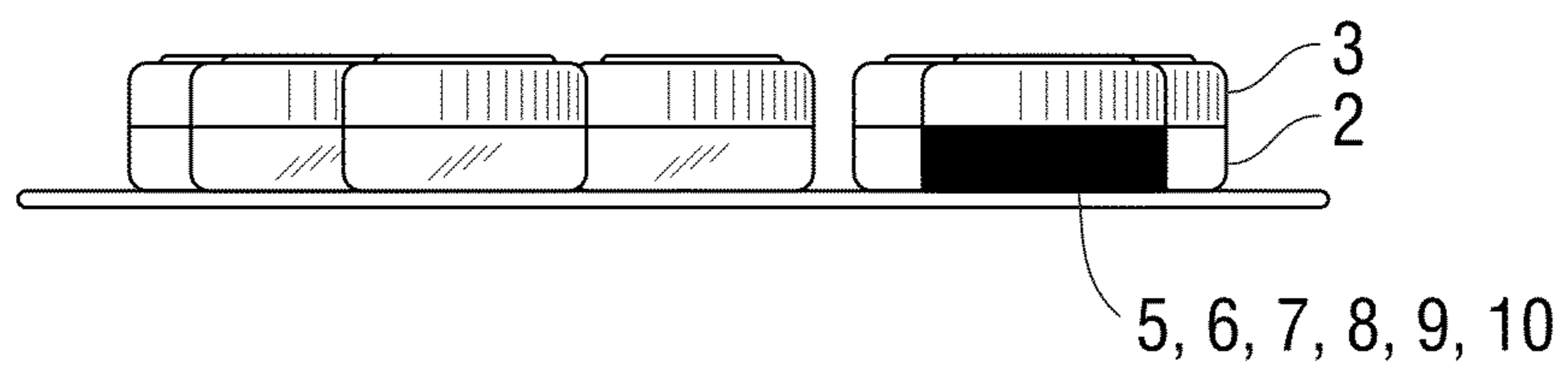


FIG. 4

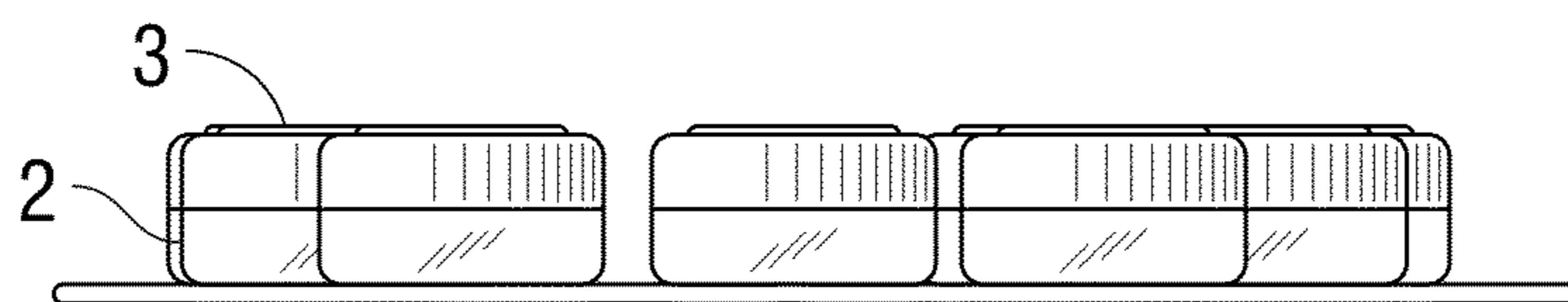


FIG. 5

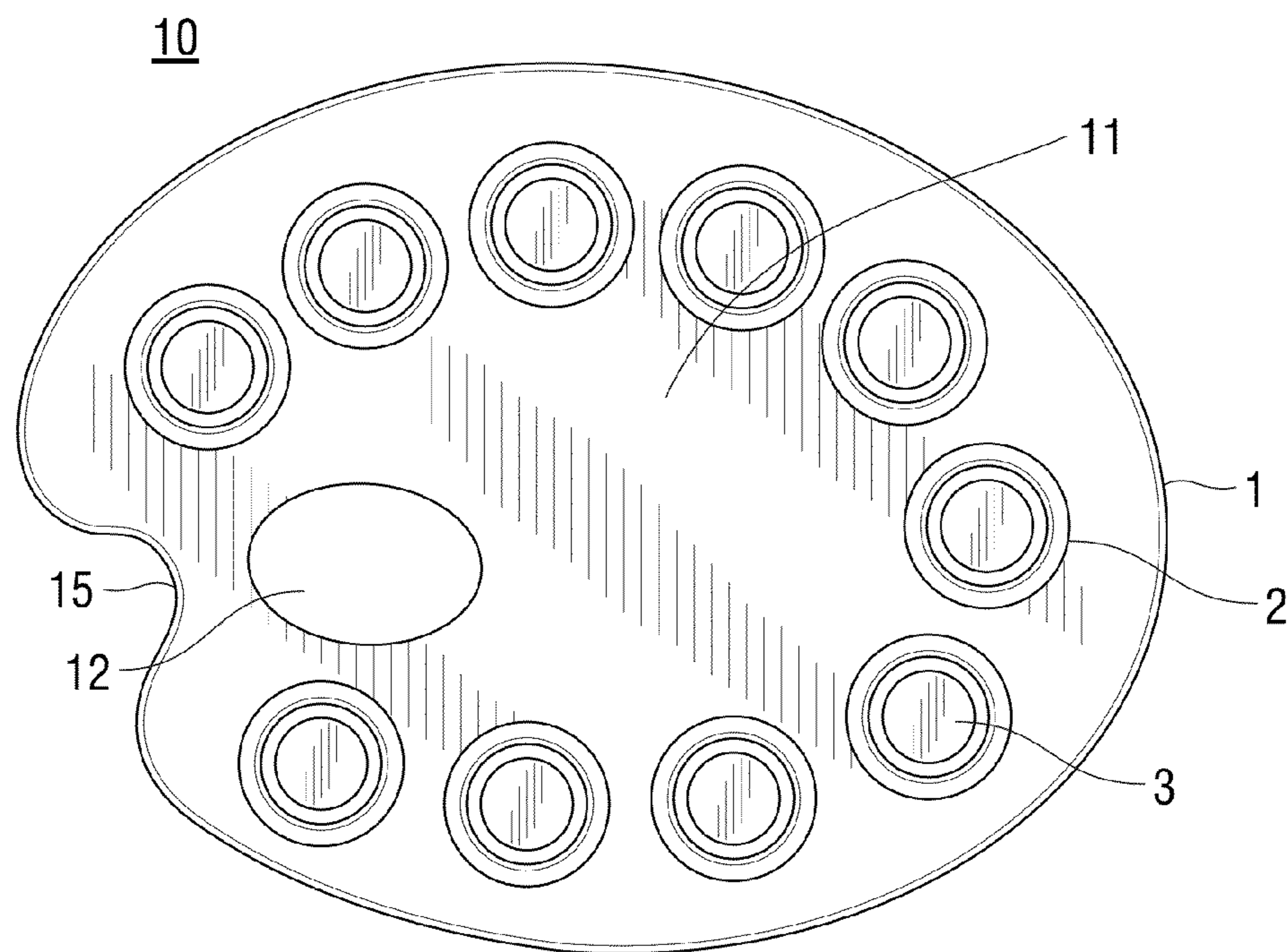


FIG. 6

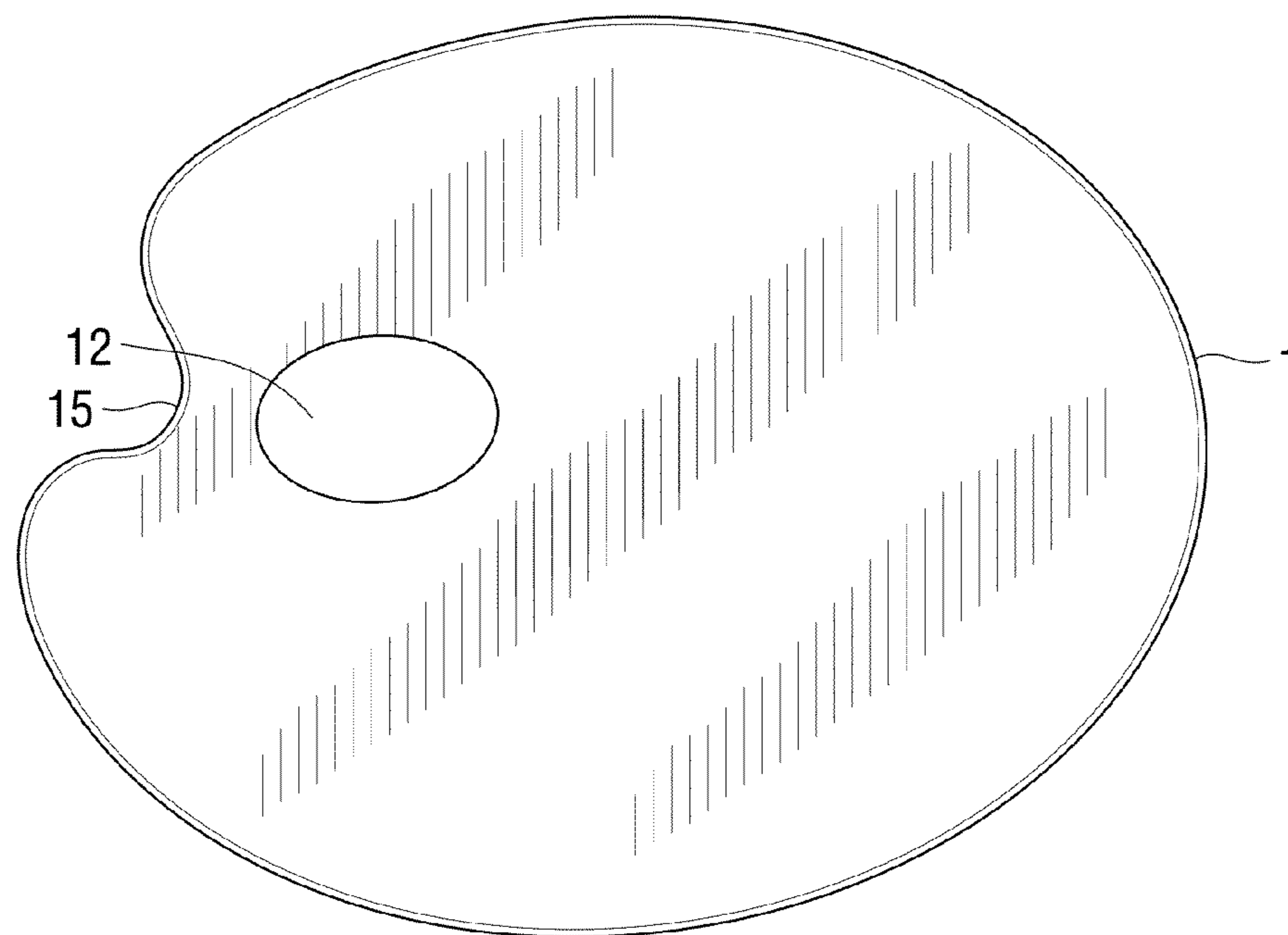


FIG. 7