



US00D755290S

(12) **United States Design Patent**
Walton

(10) **Patent No.:** **US D755,290 S**

(45) **Date of Patent:** **** May 3, 2016**

- (54) **DESK DISPLAY**
- (71) Applicant: **James F. Walton**, Chelsea, MA (US)
- (72) Inventor: **James F. Walton**, Chelsea, MA (US)
- (**) Term: **14 Years**
- (21) Appl. No.: **29/511,260**
- (22) Filed: **Dec. 9, 2014**
- (51) **LOC (10) Cl.** **19-02**
- (52) **U.S. Cl.**
USPC **D19/76**
- (58) **Field of Classification Search**
USPC D3/206, 266; D6/678.4, 705.6, 705.7;
D7/600.1; D19/75-92; D1/107, 111;
D9/678; D21/542, 544; D25/127
CPC A47B 63/00; A47F 7/14; A47F 7/145;
B42F 7/00; B42F 7/02; B42F 7/10; B42F
17/02; B42F 17/08
See application file for complete search history.

D290,137 S *	6/1987	Reilly	D19/26
4,982,683 A *	1/1991	Earnest, Jr.	G09F 21/02 116/63 P
D317,464 S *	6/1991	Goodman	D19/27
5,291,677 A *	3/1994	Samson	A47G 1/14 40/494
D356,453 S *	3/1995	Fossier	D6/407
5,601,193 A *	2/1997	Santoya	G09F 1/103 211/11
D392,397 S *	3/1998	Werber	D25/126
D468,846 S *	1/2003	Venick	D19/76
D549,052 S *	8/2007	Ferrer-Valentine	D7/590
2013/0125432 A1 *	5/2013	Dill-Schmidt	G09F 11/06 40/530

* cited by examiner

Primary Examiner — Elizabeth Albert

(74) *Attorney, Agent, or Firm* — M. Lawrence Oliverio, Esq.

(57) **CLAIM**

I claim the ornamental design for a desk display, as shown and described.

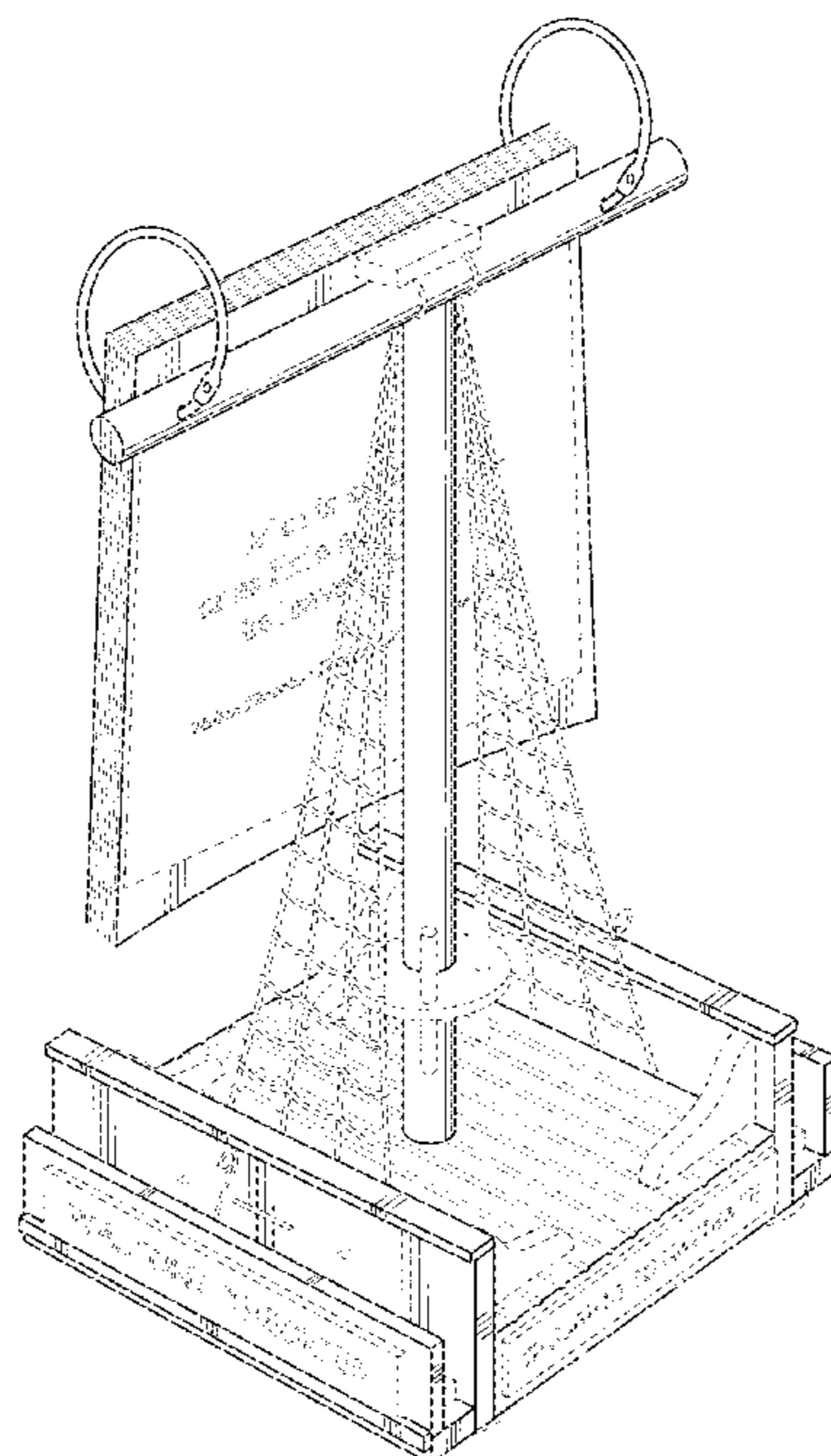
DESCRIPTION

FIG. 1 is a perspective view of a desk display showing my new design;
 FIG. 2 is a left side elevational view thereof;
 FIG. 3 is a right side elevational view thereof;
 FIG. 4 is a rear elevational view thereof;
 FIG. 5 is a front elevational view thereof;
 FIG. 6 is a top plan view thereof; and,
 FIG. 7 is a bottom plan view thereof.
 The broken lines are included for the purpose of showing portions of the desk display that form no part of the claimed design.

1 Claim, 7 Drawing Sheets

(56) **References Cited**
U.S. PATENT DOCUMENTS

D44,236 S *	6/1913	De Yoos	D10/3
1,901,726 A *	3/1933	Bonnet	E04G 1/22 182/101
3,218,743 A *	11/1965	Shneider	A47G 1/14 40/500
3,638,967 A *	2/1972	Mullins	B42F 13/402 281/29
D239,841 S *	5/1976	Tallent	D11/163
D248,964 S *	8/1978	Kizlauskas	D19/20
D255,249 S *	6/1980	De Oliveira	D19/75
4,365,434 A *	12/1982	Doyel	A47G 1/14 281/27.2



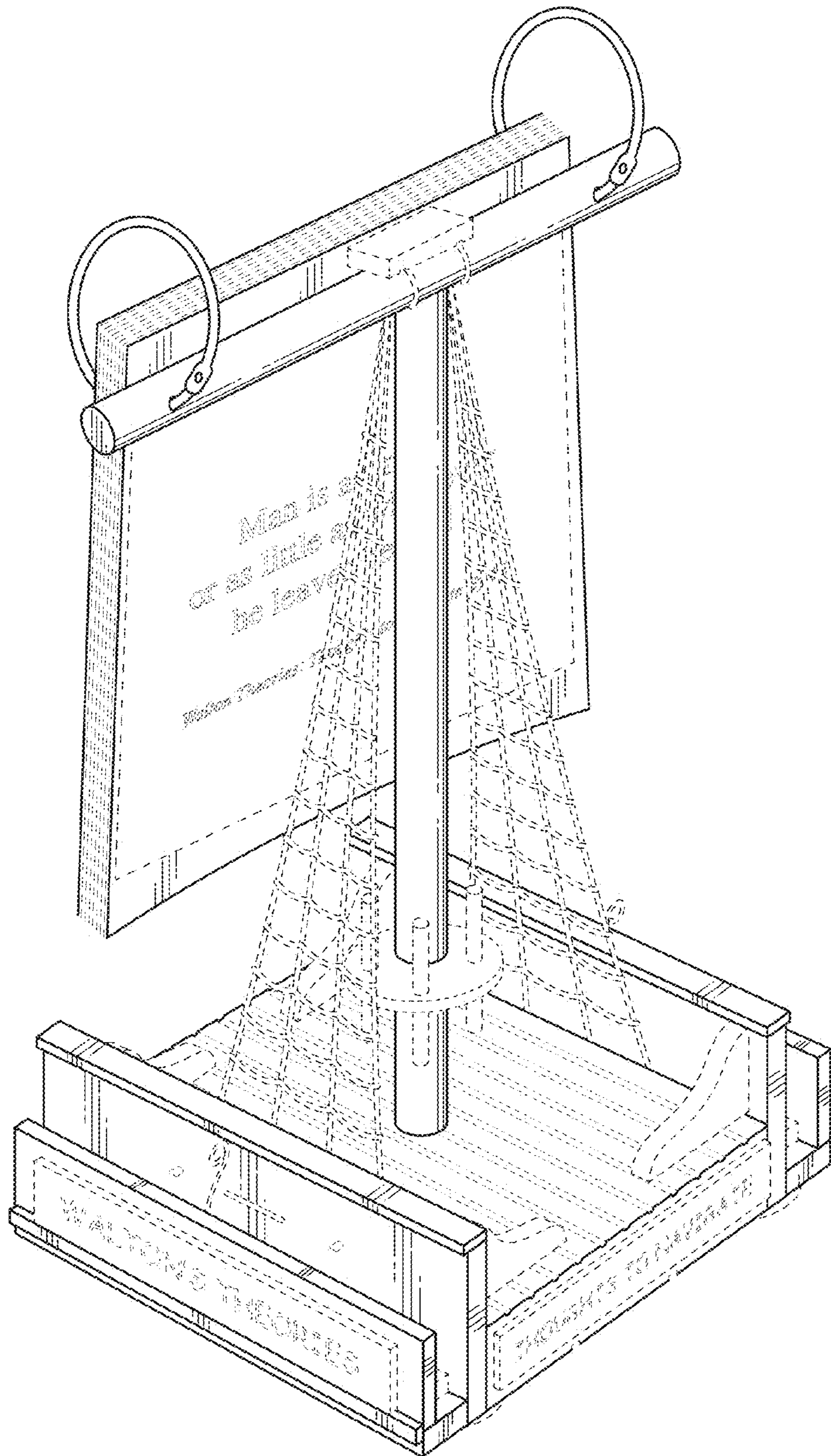


FIG. 1

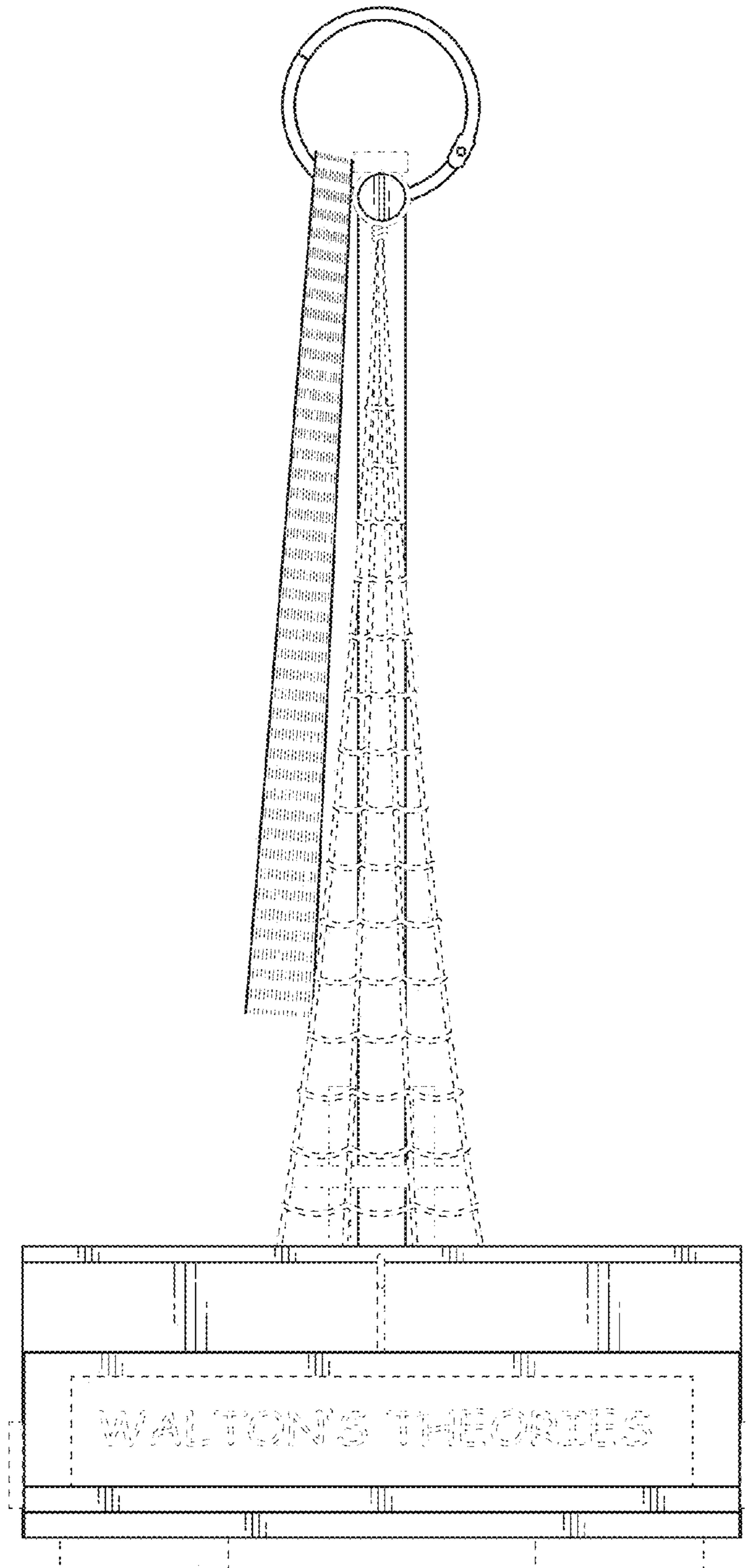


FIG. 2

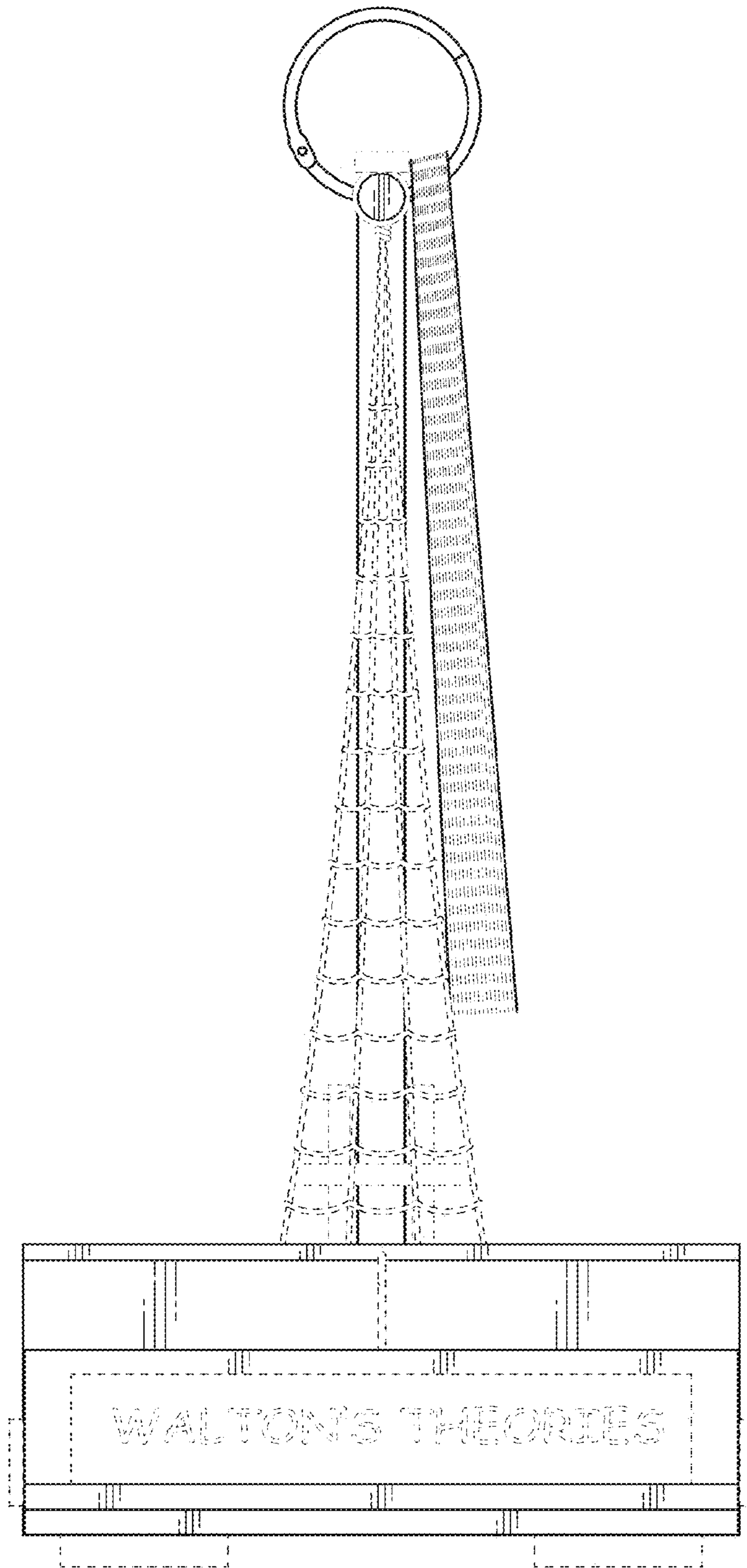


FIG. 3

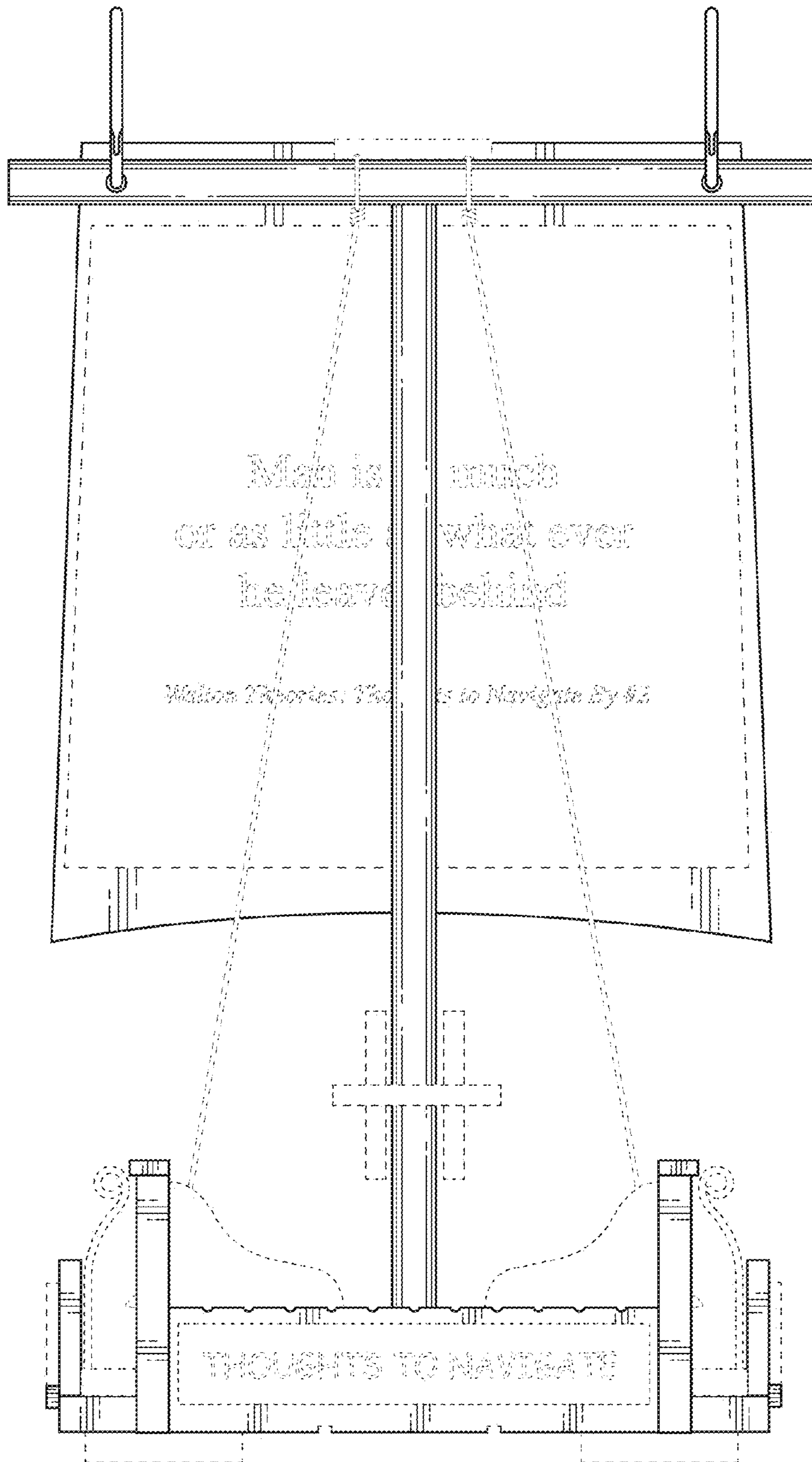


FIG. 4



FIG. 5

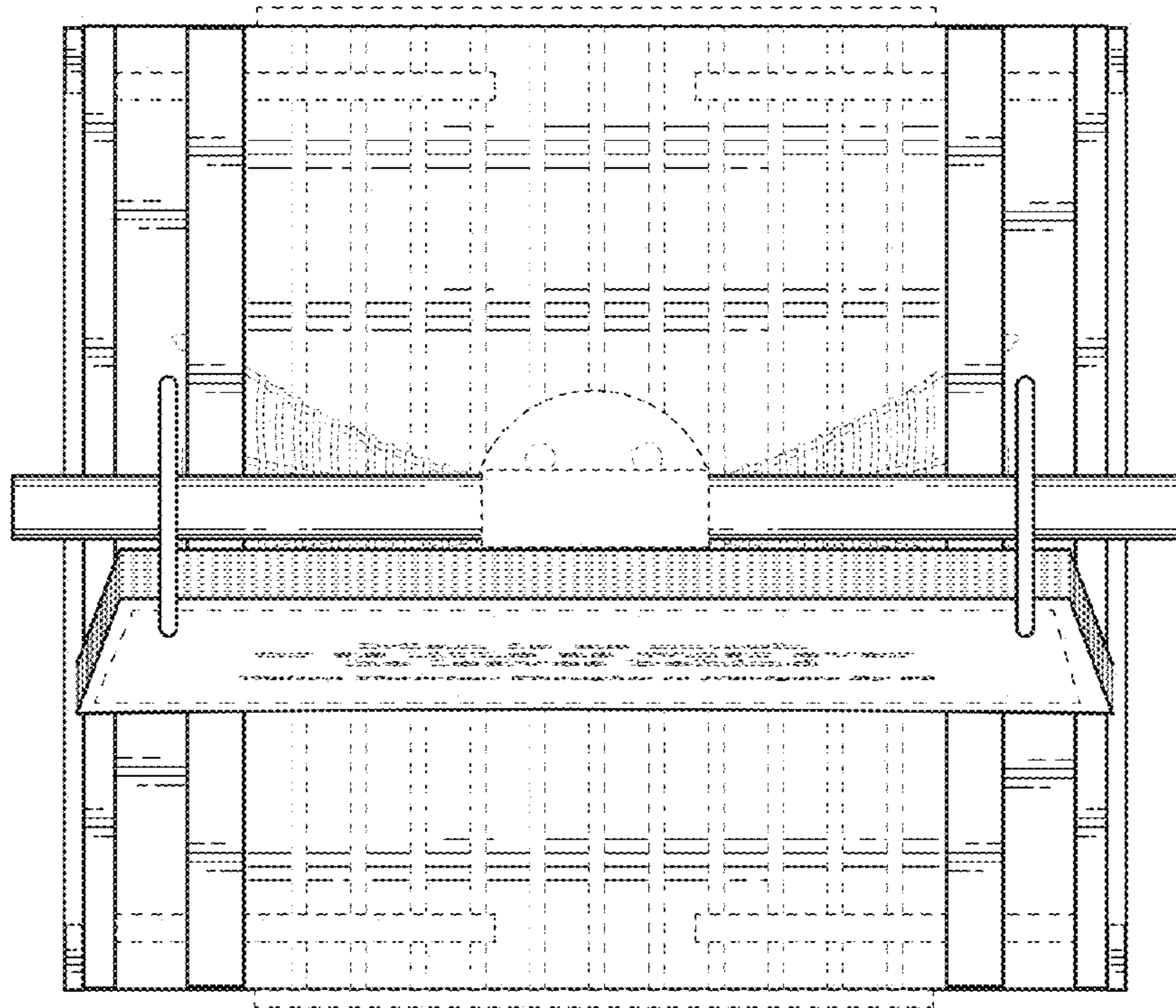


FIG. 6

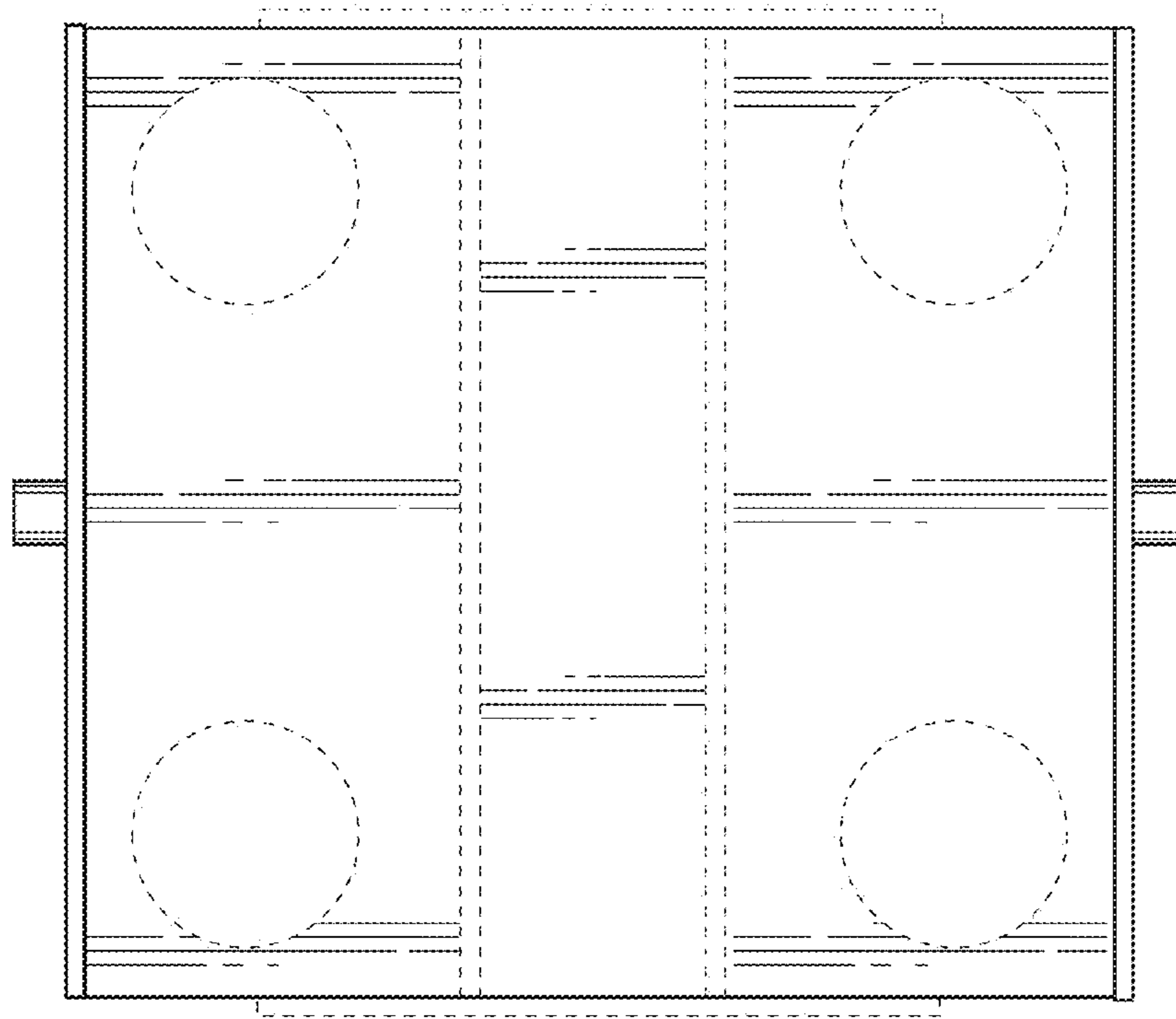


FIG. 7