



US00D755289S

(12) **United States Design Patent**
Farnworth

(10) **Patent No.:** **US D755,289 S**

(45) **Date of Patent:** **** *May 3, 2016**

(54) **PENCIL SHARPENER**

(71) Applicant: **Acme United Corporation**, Fairfield,
CT (US)

(72) Inventor: **Stuart D. Farnworth**, Westport, CT
(US)

(*) Notice: This patent is subject to a terminal disclaimer.

(**) Term: **14 Years**

(21) Appl. No.: **29/483,427**

(22) Filed: **Feb. 28, 2014**

(51) **LOC (10) Cl.** **19-02**

(52) **U.S. Cl.**
USPC **D19/73**

(58) **Field of Classification Search**
USPC D19/72, 73, 74; 30/451-462; 144/28.1,
144/28.11, 28.2-28.7, 28.72, 28.8, 28.9
CPC B43L 23/00; B43L 23/02; B43L 23/04;
B43L 23/06
See application file for complete search history.

(56) **References Cited**

U.S. PATENT DOCUMENTS

2,822,781	A *	2/1958	Burton	144/28.5
2,900,958	A *	8/1959	Johnson	144/28.71
3,134,365	A *	5/1964	Takeo Hori	144/28.5
D211,297	S *	6/1968	La Zar et al.	D19/73
3,556,182	A *	1/1971	Tanigami	144/28.5
D227,314	S *	6/1973	Mantelet	D7/386
D237,610	S *	11/1975	Macowski	D19/73
D406,173	S *	2/1999	Chen	D19/73
5,875,555	A *	3/1999	Andrisin et al.	30/452

D441,796	S *	5/2001	Chan	D19/73
D495,004	S *	8/2004	Yuen	D19/73
6,886,614	B2 *	5/2005	Ricono et al.	144/28.11
6,966,117	B1 *	11/2005	Cannon	30/451
7,134,461	B2 *	11/2006	Takada	144/28.72
D545,372	S *	6/2007	Kent et al.	D19/73
D553,193	S *	10/2007	Parrish et al.	D19/73
D569,914	S *	5/2008	Kotani et al.	D19/73
7,654,179	B2 *	2/2010	Parrish et al.	83/13
D614,698	S *	4/2010	Magid et al.	D19/73
8,353,323	B2 *	1/2013	Schumacher et al.	144/28.1
2007/0074409	A1 *	4/2007	Hsu et al.	30/451
2013/0186517	A1 *	7/2013	Cheng et al.	144/28.72
2013/0263971	A1 *	10/2013	Hsu	144/414
2014/0144548	A1 *	5/2014	Huang	144/28.72

* cited by examiner

Primary Examiner — Elizabeth Albert

(74) *Attorney, Agent, or Firm* — Alix, Yale & Ristas, LLP

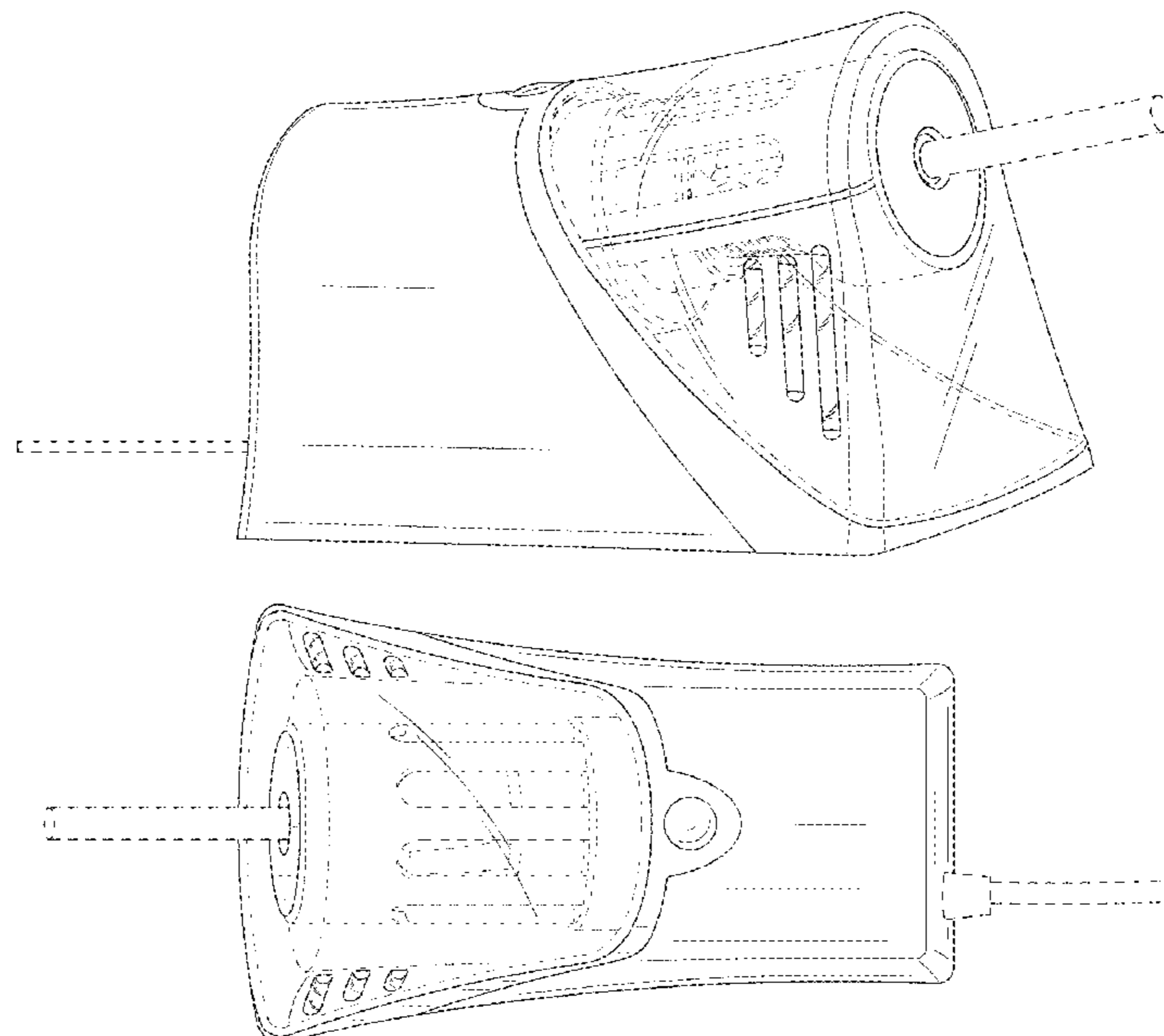
(57) **CLAIM**

The ornamental design for a pencil sharpener, as shown and described.

DESCRIPTION

FIG. 1 is a perspective view of the pencil sharpener; FIG. 2 is a perspective view thereof from the opposite side; FIG. 3 is a front view thereof; FIG. 4 is a rear view thereof; FIG. 5 is a right side view thereof; FIG. 6 is a left side view thereof; FIG. 7 is a top plan view thereof; and, FIG. 8 is a bottom plan view thereof. The broken lines showing the pencil, the power cord, the bottom surface including feet and the features inside are included to show features that form no part of the claimed design.

1 Claim, 7 Drawing Sheets



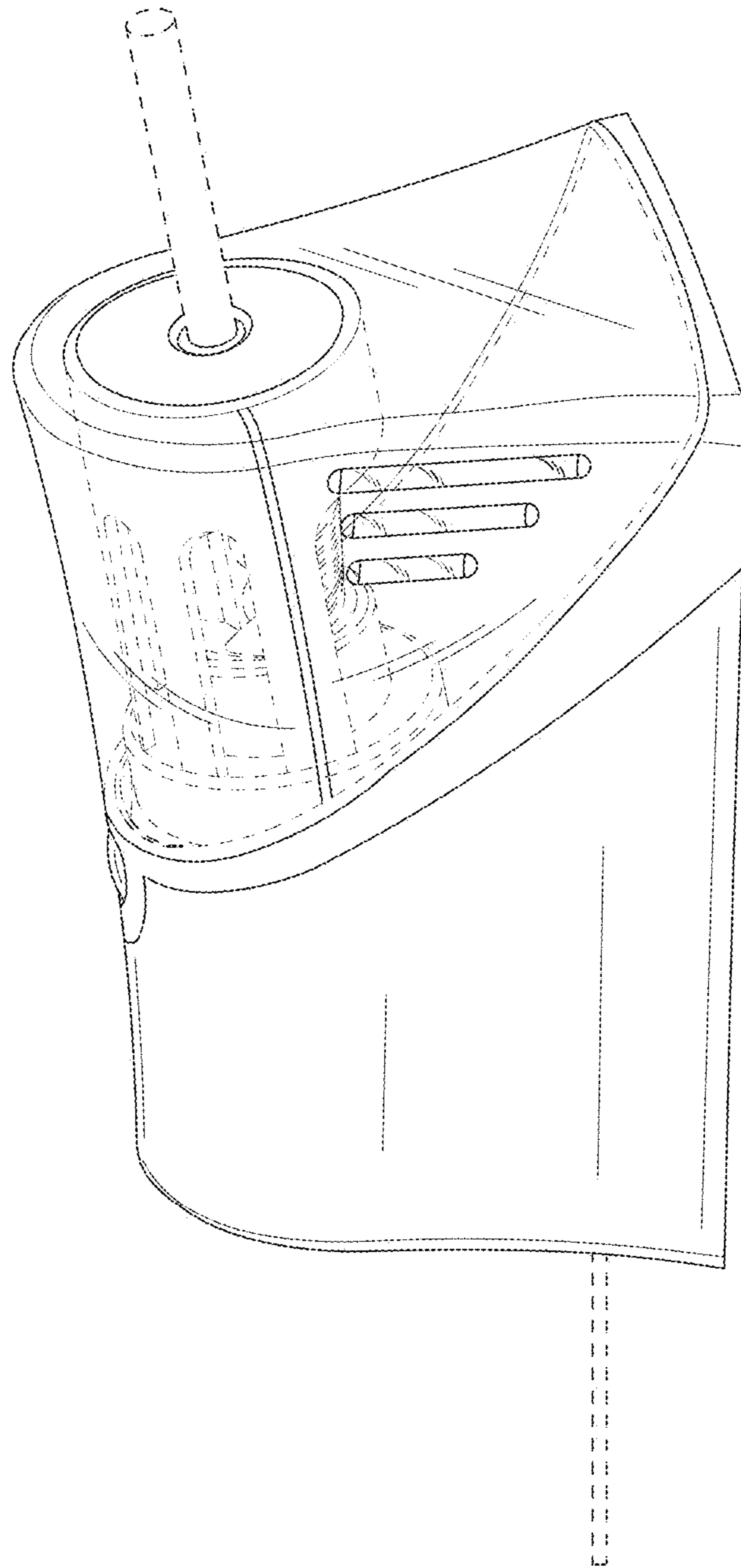


FIG. 1

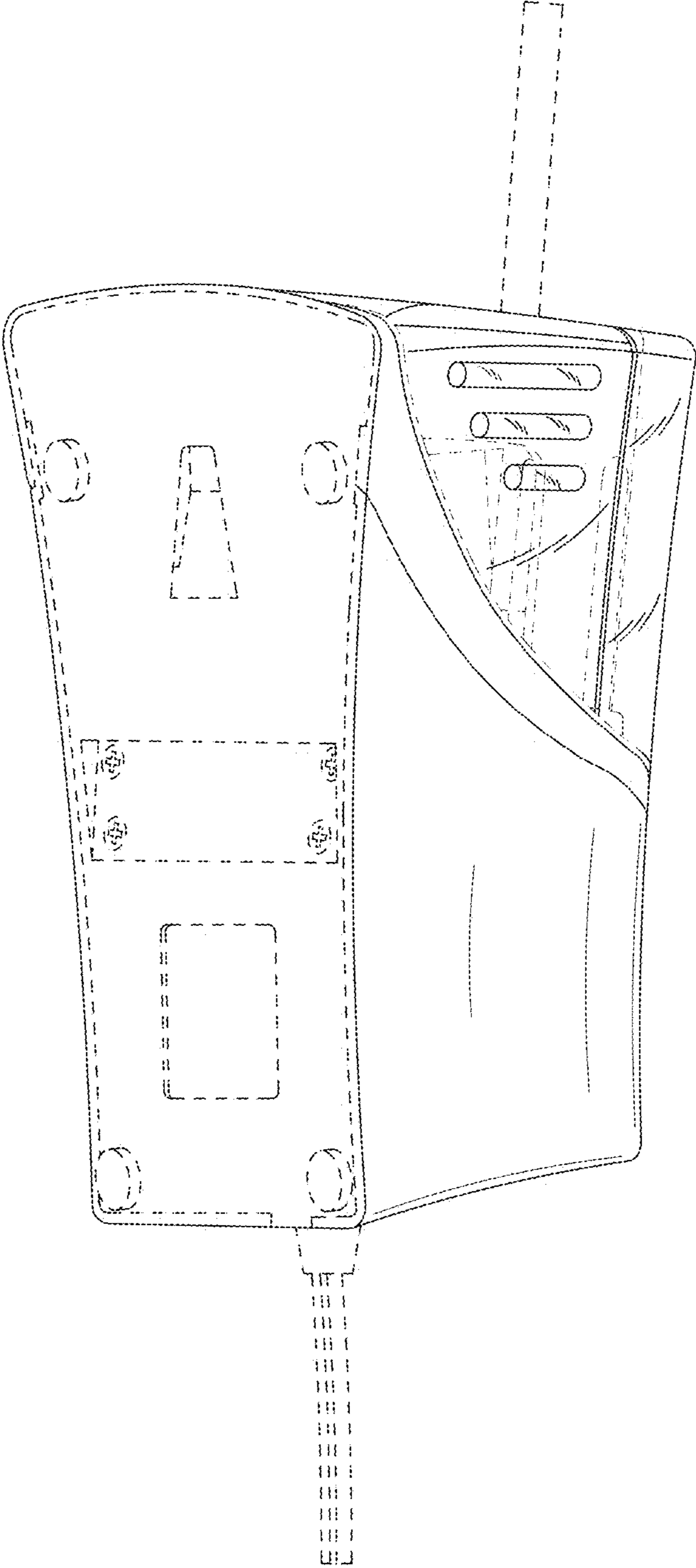


FIG. 2

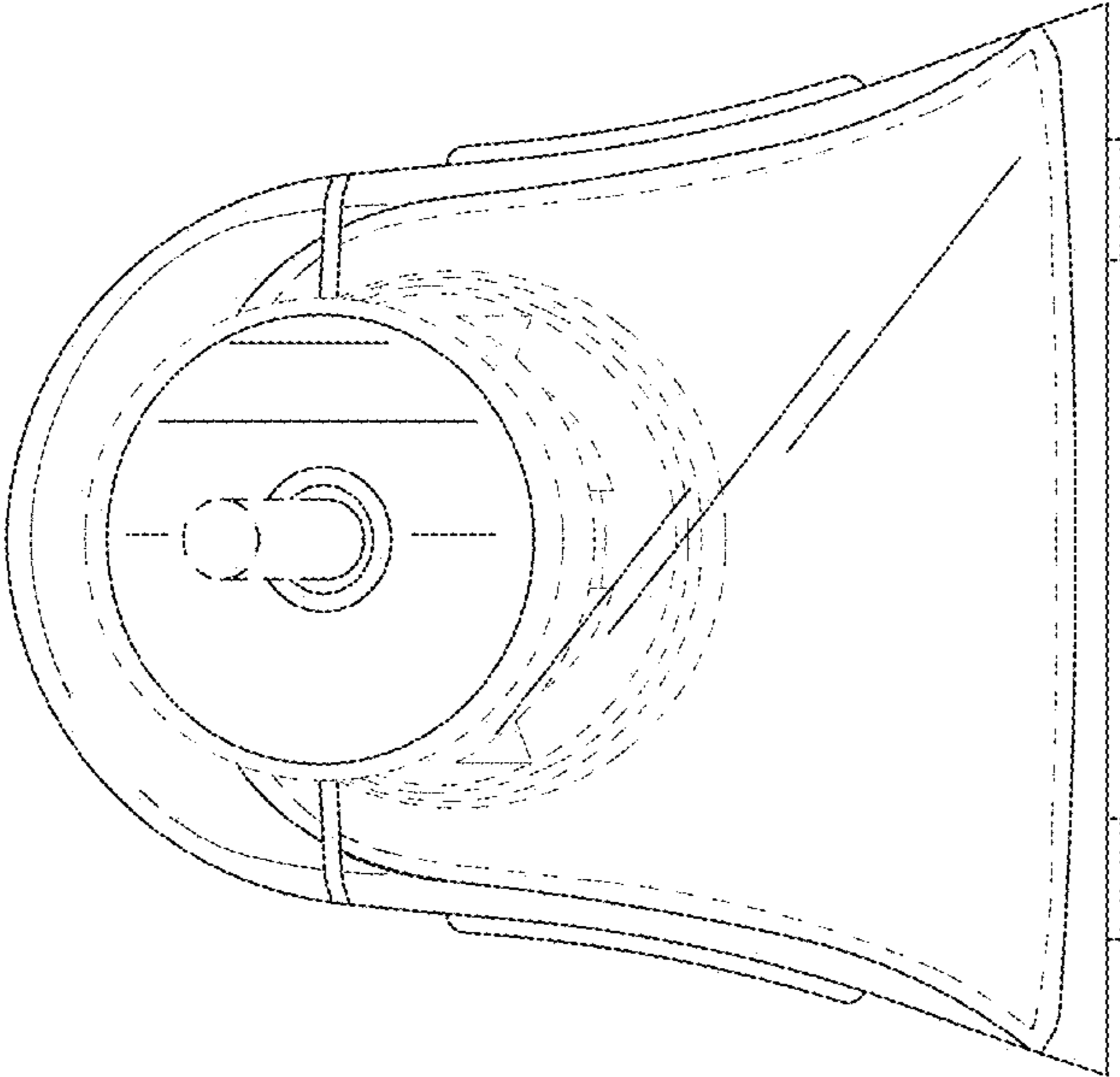


FIG. 3

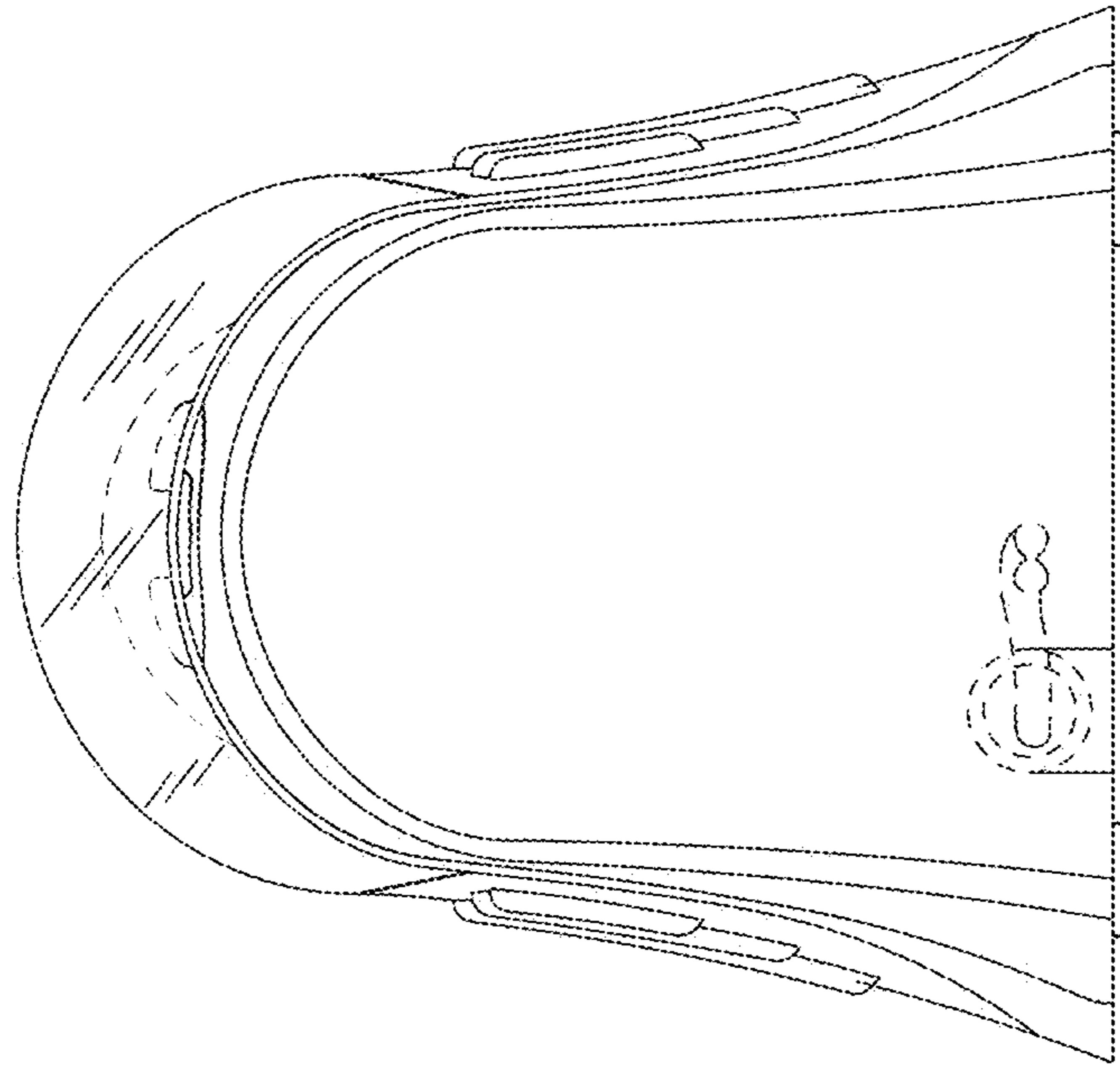


FIG. 4

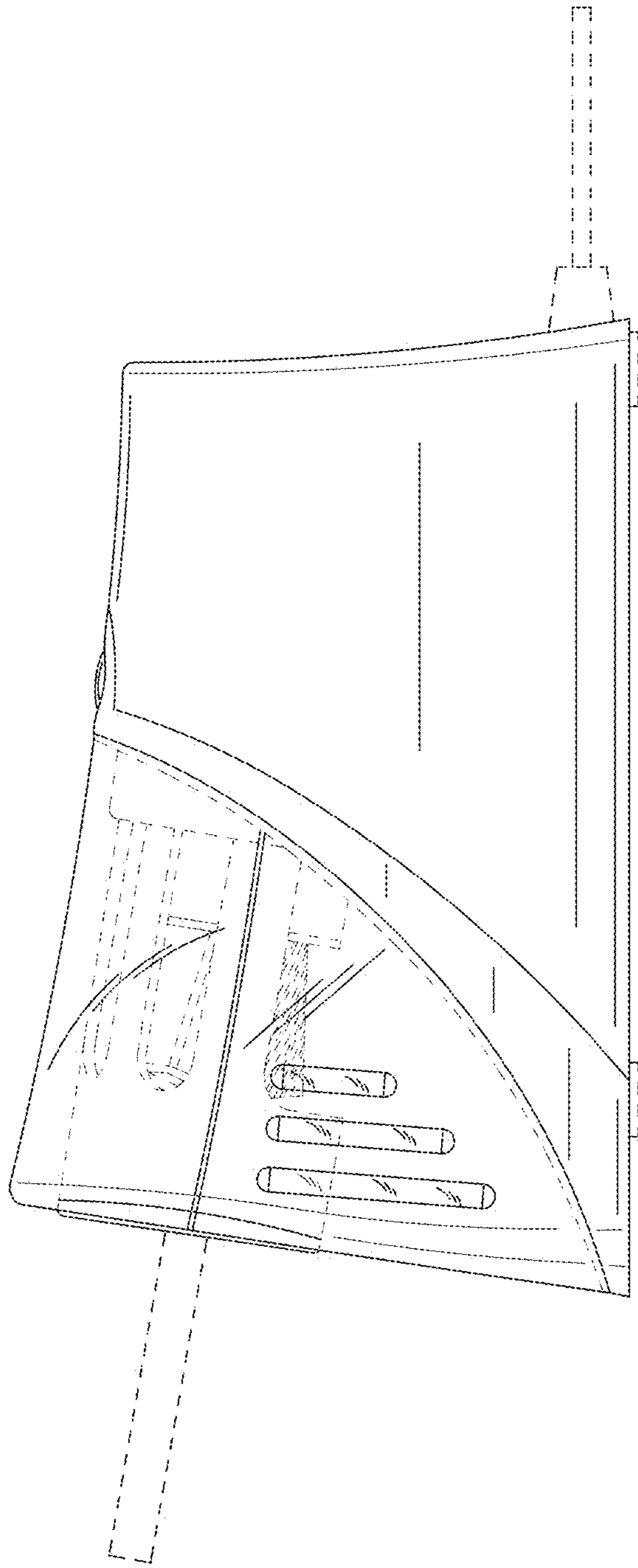


FIG. 5

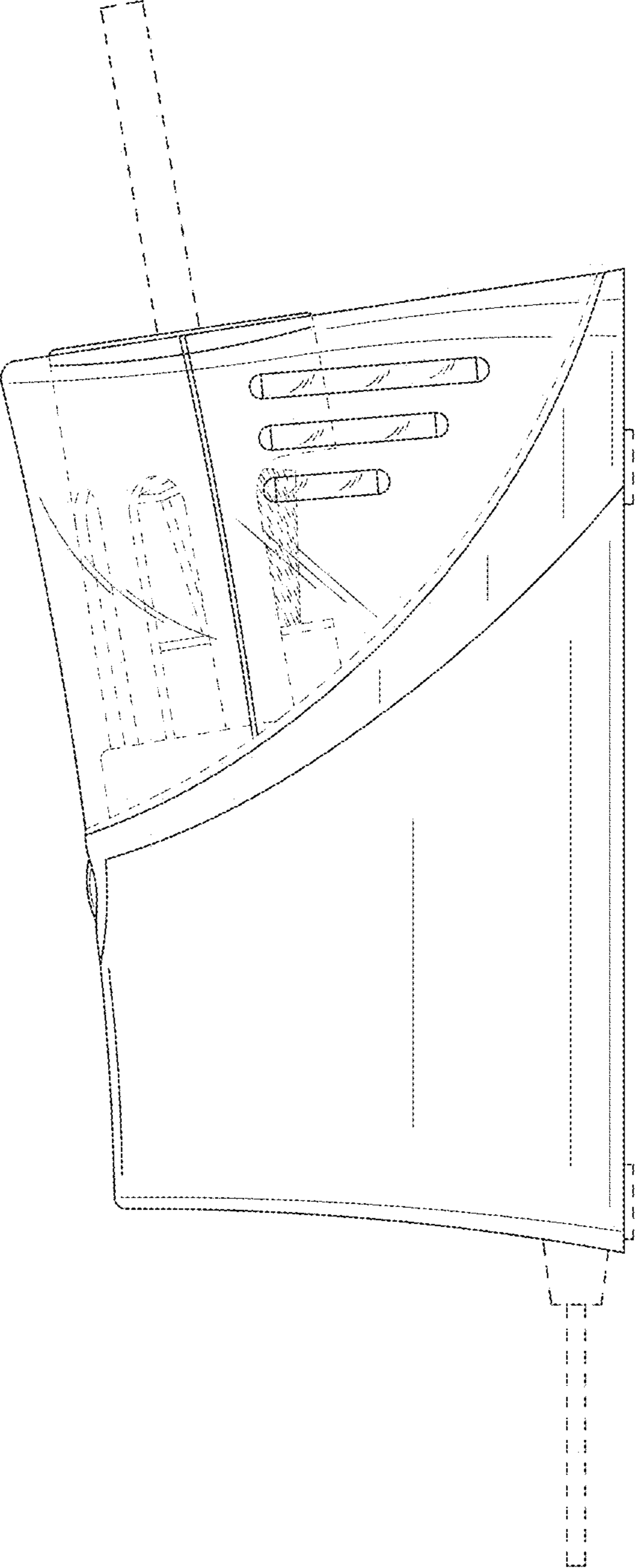


FIG. 6

