



US00D755288S

(12) **United States Design Patent**  
**Kishimoto et al.**

(10) **Patent No.:** **US D755,288 S**  
(45) **Date of Patent:** **\*\* May 3, 2016**

(54) **COATING FILM TRANSFER TOOL**

(71) Applicant: **Kokuyo S&T Co., Ltd.**, Osaka (JP)

(72) Inventors: **Daiki Kishimoto**, Osaka (JP); **Hideto Shima**, Kyoto (JP); **Kosuke Kato**, Osaka (JP)

(73) Assignee: **Kokuyo Co., Ltd.**, Osaka (JP)

(\*\*) Term: **14 Years**

(21) Appl. No.: **29/521,502**

(22) Filed: **Mar. 24, 2015**

(30) **Foreign Application Priority Data**

Sep. 26, 2014 (JP) ..... 2014-021349

(51) **LOC (10) Cl.** ..... **19-02**

(52) **U.S. Cl.**  
USPC ..... **D19/69**

(58) **Field of Classification Search**  
USPC ..... D19/70, 69, 36, 68; 242/588.6, 588.2;  
225/77, 6, 56, 39, 26, 25, 19, 11;  
206/411; 156/577, 527, 523; D8/354,  
D8/382, 385, 499

CPC ..... C08F 220/18  
See application file for complete search history.

(56) **References Cited**

**U.S. PATENT DOCUMENTS**

D559,912 S *	1/2008	Kai	.....	D19/69
D571,402 S *	6/2008	Kai	.....	D19/69
D592,701 S *	5/2009	Matsushita	.....	D19/67
D592,702 S *	5/2009	Kai	.....	D19/69
D594,904 S *	6/2009	Kai	.....	D19/69
D598,498 S *	8/2009	Kinugasa	.....	D19/69
D598,956 S *	8/2009	Matsushita	.....	D19/69
D607,056 S *	12/2009	Kinugasa	.....	D19/69
D645,513 S *	9/2011	Mitsui	.....	D19/69
D648,393 S *	11/2011	Kai	.....	D19/69

D651,650 S *	1/2012	Kishimoto	.....	D19/69
2005/0155717 A1 *	7/2005	Mitsui	.....	B43M 11/02 156/577
2006/0244558 A1 *	11/2006	Kinugasa	.....	B65H 37/007 335/202
2009/0025884 A1 *	1/2009	Kinugasa	.....	B65H 37/007 156/577
2009/0028620 A1 *	1/2009	Kinugasa	.....	B65H 37/007 400/242
2010/0116440 A1 *	5/2010	Kai	.....	B43L 19/0068 156/577
2011/0180217 A1 *	7/2011	Ohashi	.....	B43L 19/0068 156/538

**FOREIGN PATENT DOCUMENTS**

JP	D1148002 S	7/2002
JP	D1273289 S	6/2006
JP	D1333228 S	6/2008

\* cited by examiner

*Primary Examiner* — Austin Murphy

(74) *Attorney, Agent, or Firm* — The Webb Law Firm

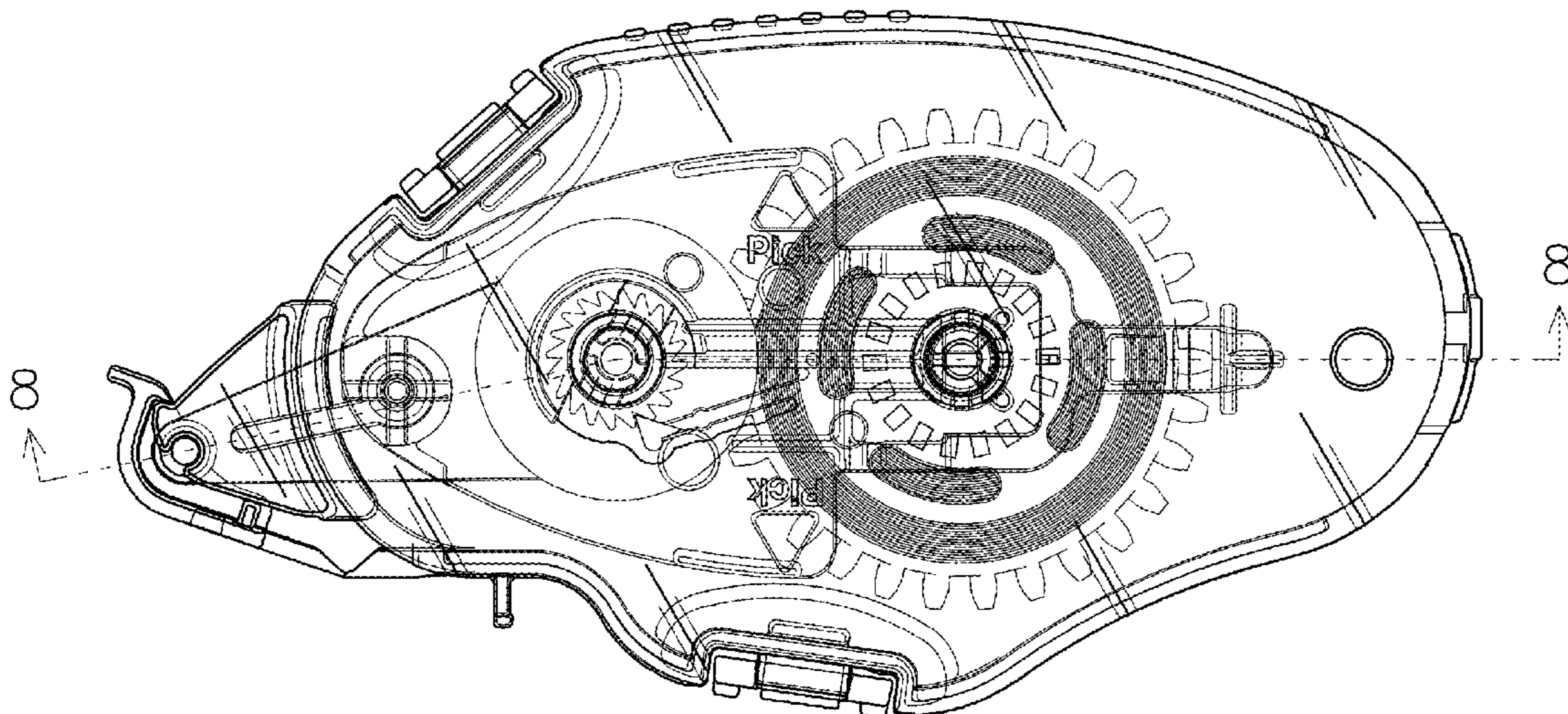
(57) **CLAIM**

The ornamental design for a coating film transfer tool, as shown and described.

**DESCRIPTION**

FIG. 1 is a perspective view of a coating film transfer tool, showing our new design;  
 FIG. 2 is a front view thereof;  
 FIG. 3 is a rear view thereof;  
 FIG. 4 is a top view thereof;  
 FIG. 5 is a bottom view thereof;  
 FIG. 6 is a right side view thereof;  
 FIG. 7 is a left side view thereof;  
 FIG. 8 is a cross-sectional view thereof taken along lines 8-8 shown in FIG. 2;  
 FIG. 9 is a front view thereof in an alternate configuration;  
 and,  
 FIG. 10 is a front view thereof in an open configuration.

**1 Claim, 9 Drawing Sheets**



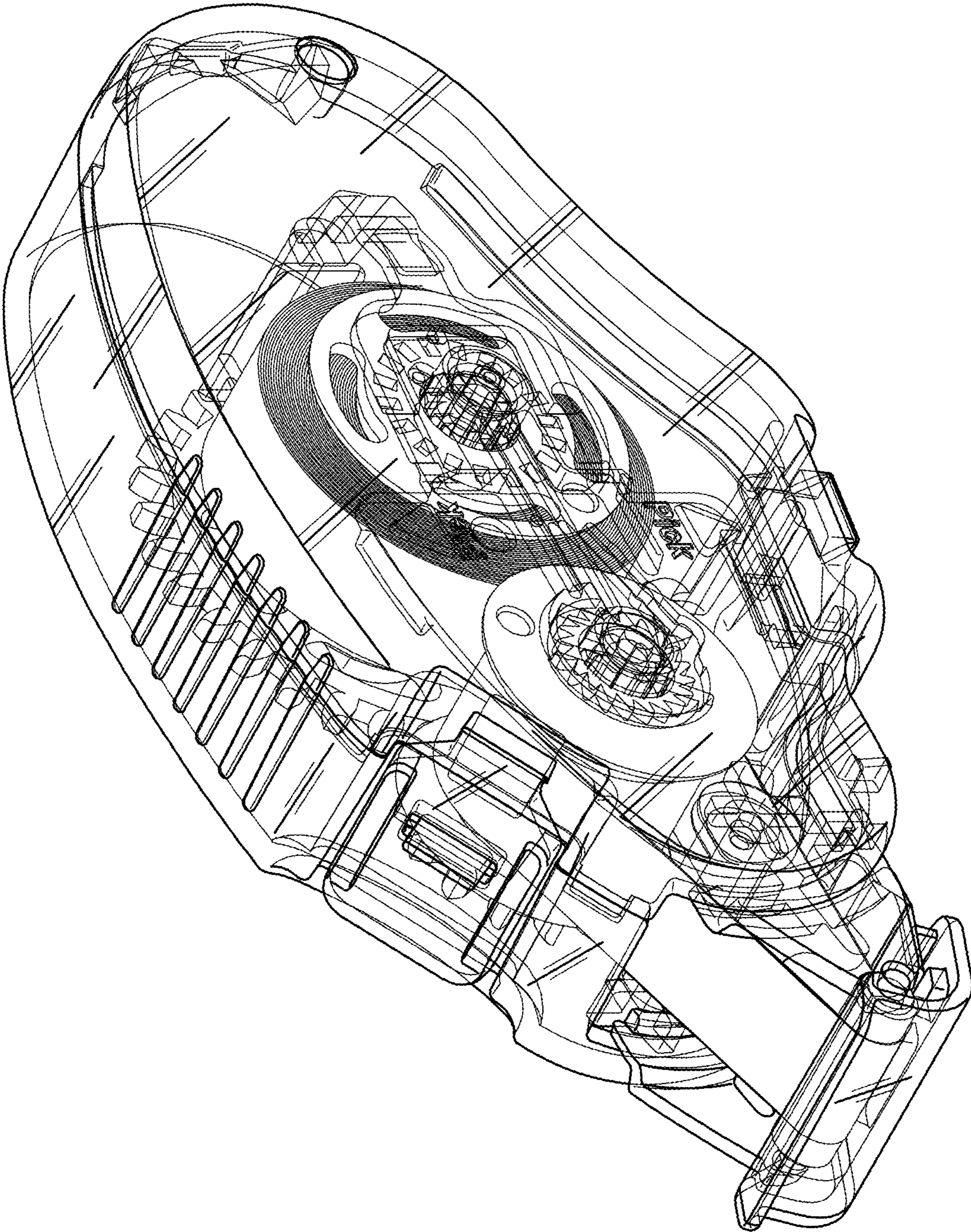


FIG.1

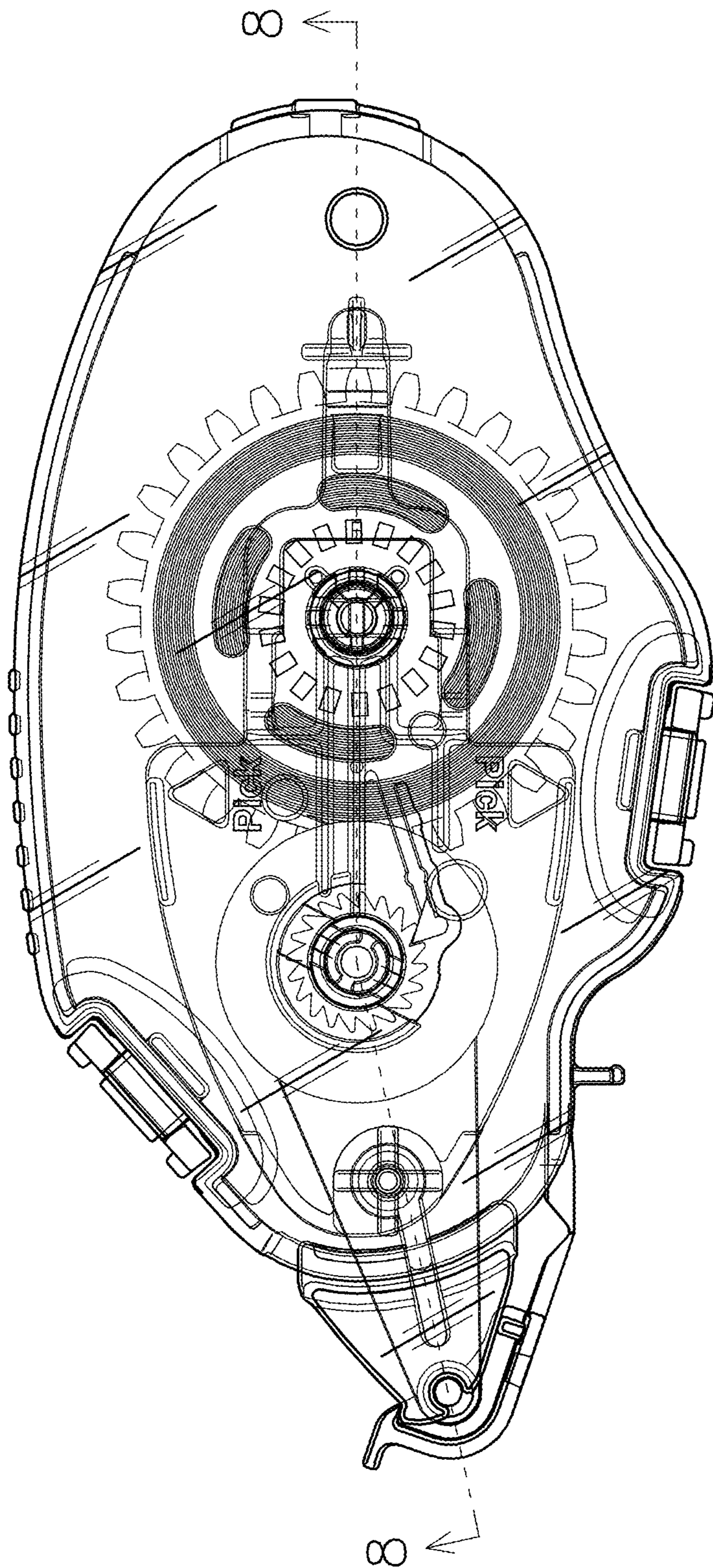


FIG.2

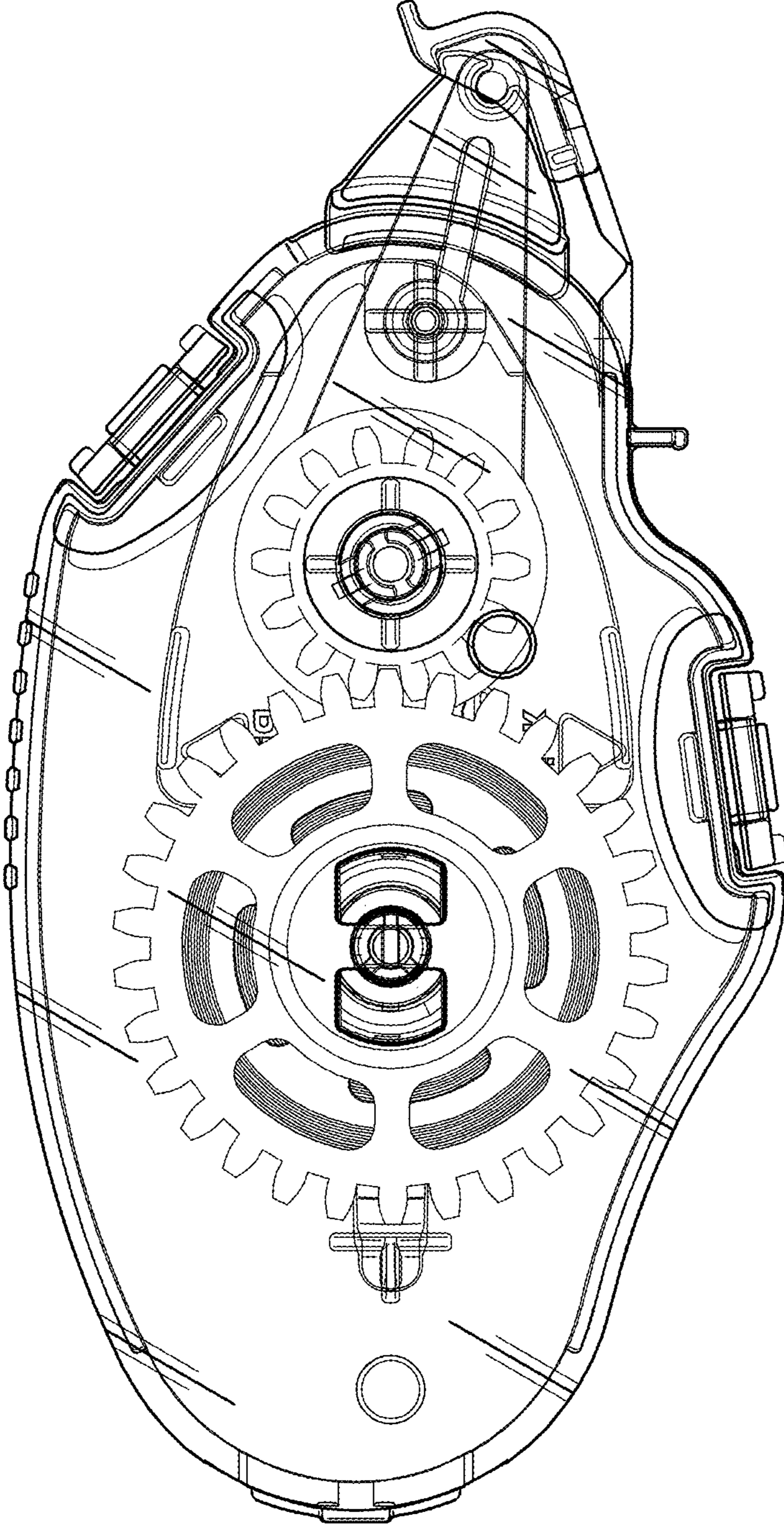


FIG. 3

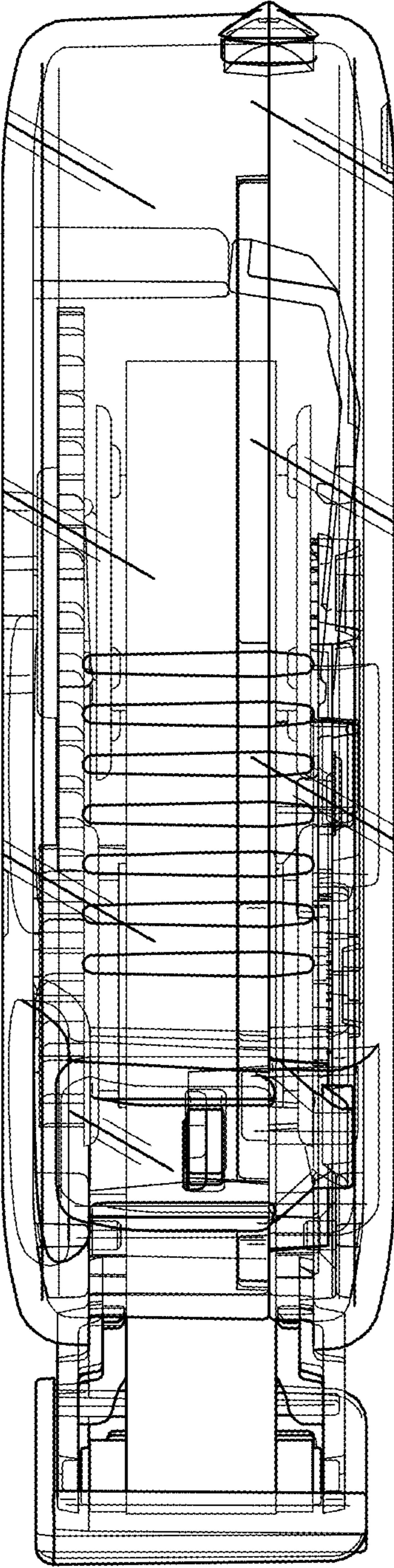


FIG. 4

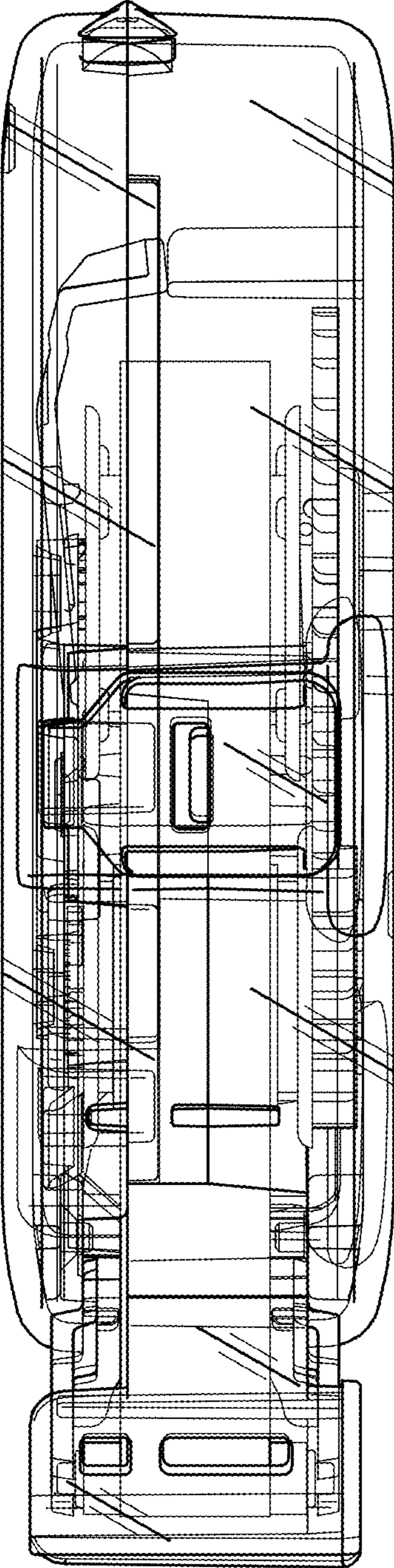


FIG.5

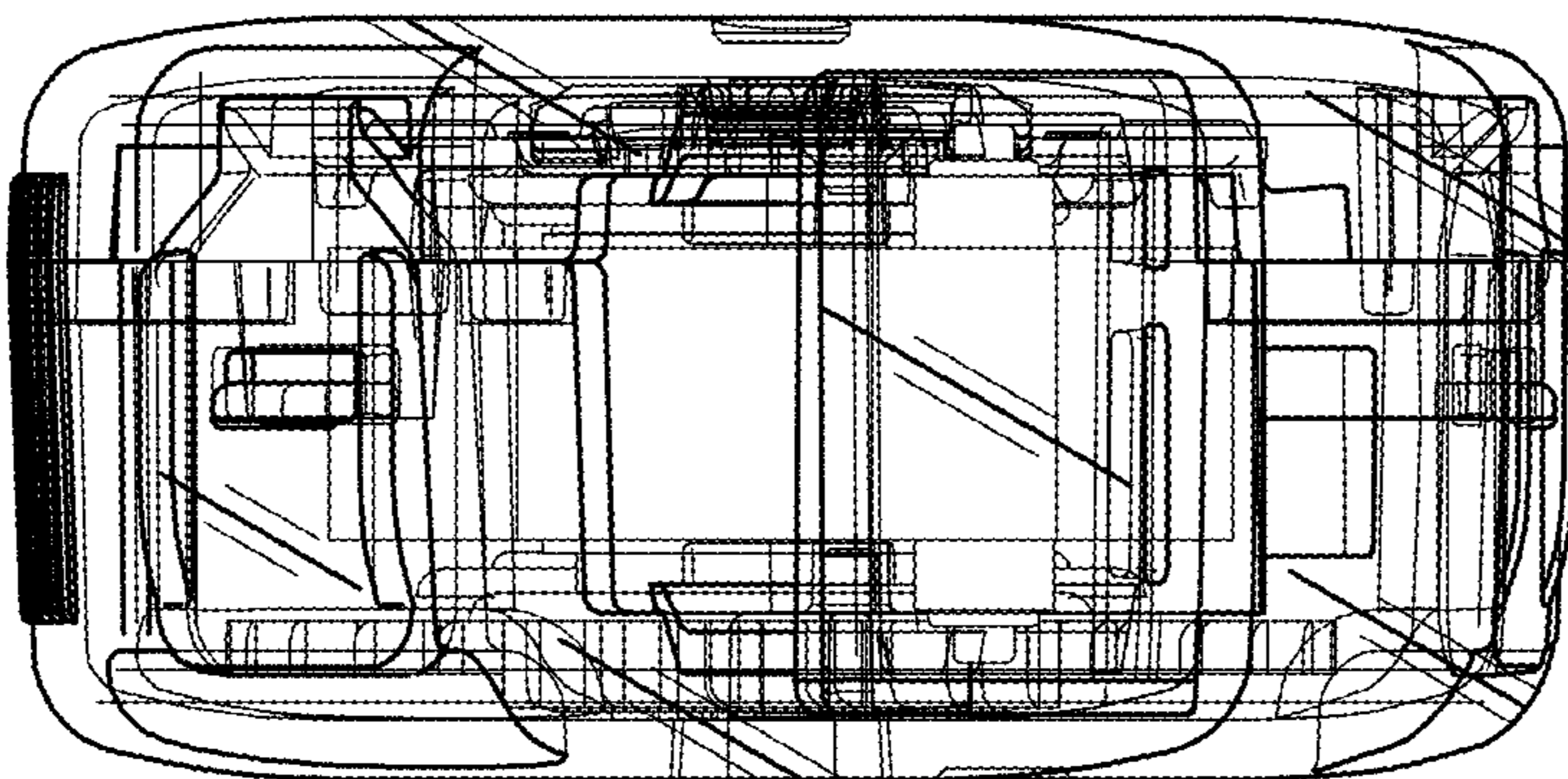


FIG. 6

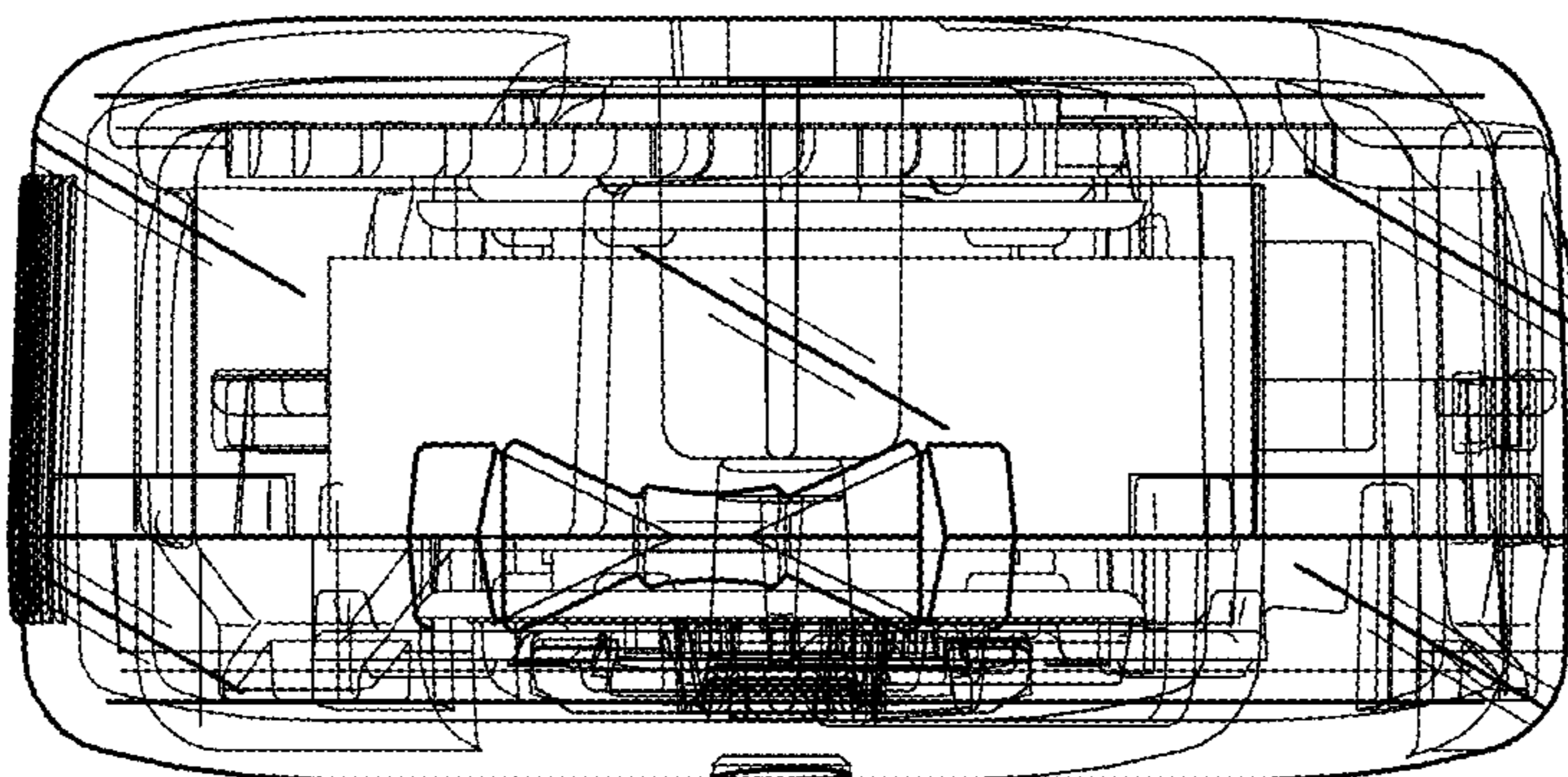


FIG. 7

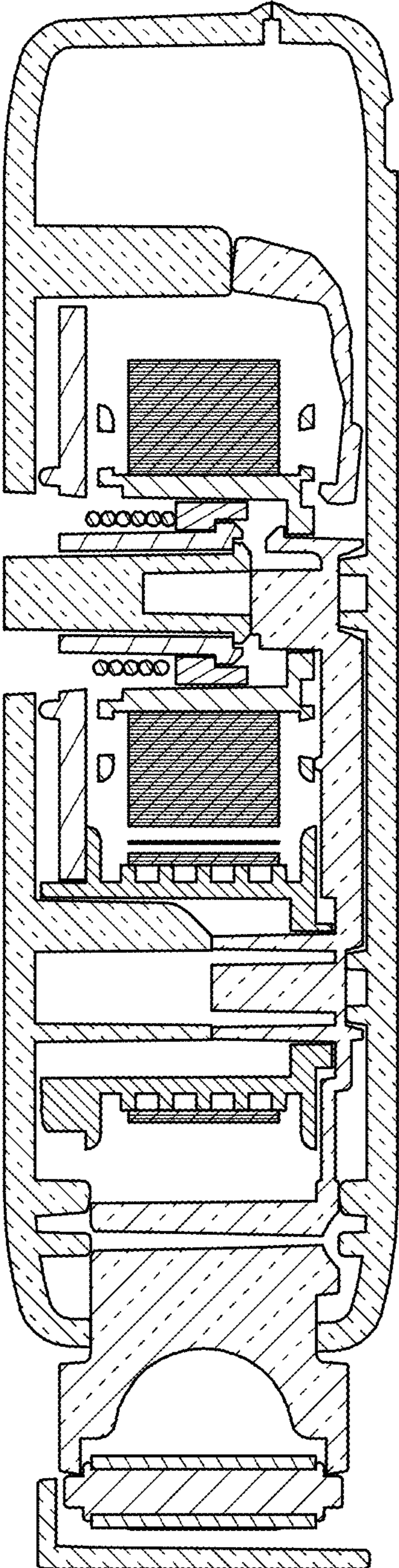


FIG. 8



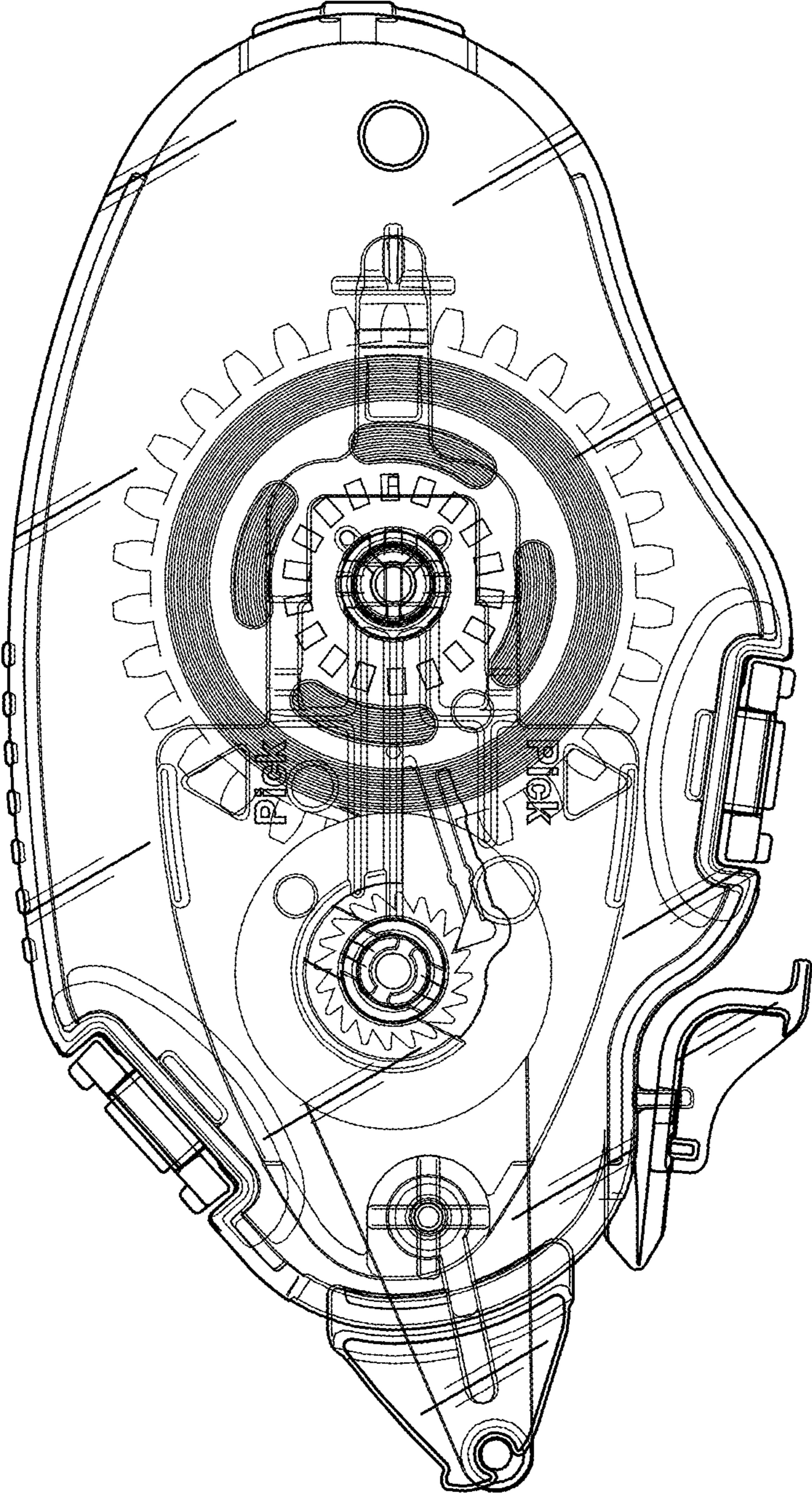


FIG.9

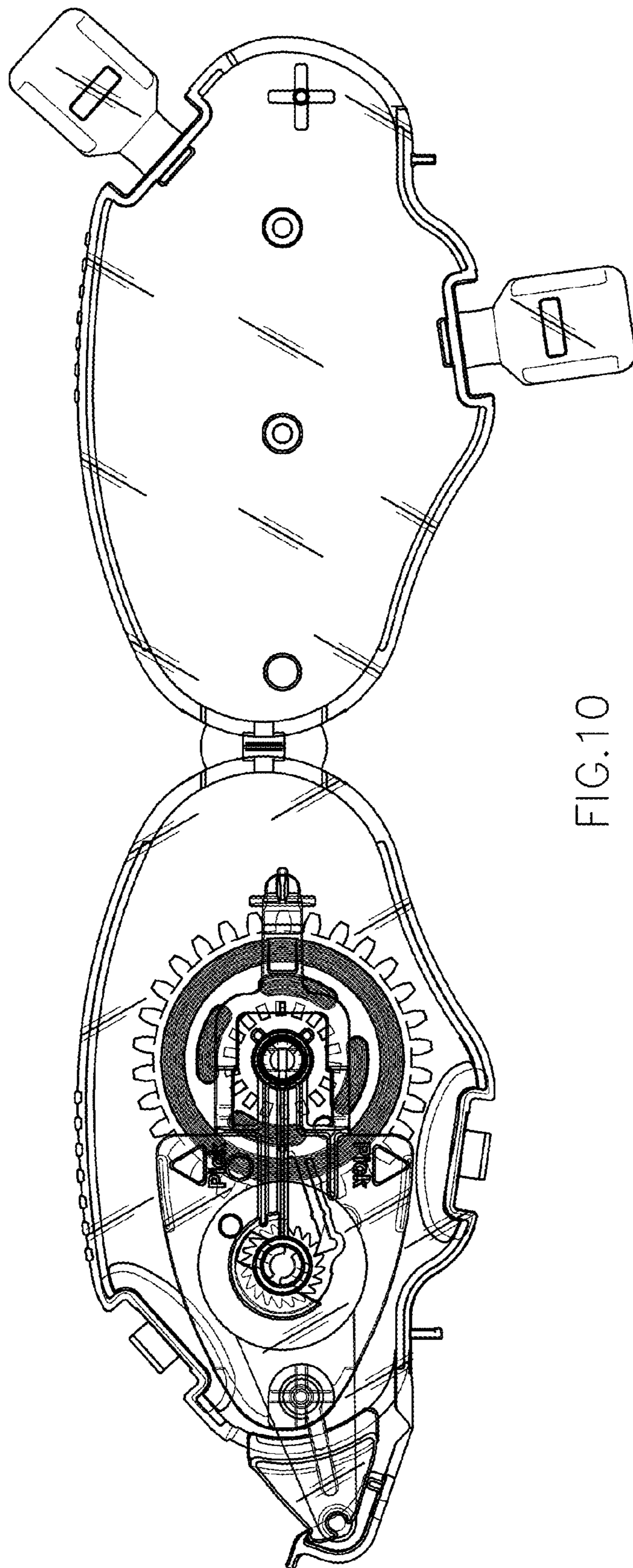


FIG.10