



US00D755286S

(12) **United States Design Patent**  
**Kim et al.**

(10) **Patent No.:** **US D755,286 S**

(45) **Date of Patent:** **\*\* May 3, 2016**

(54) **MULTI-FUNCTION PRINTER**

(71) Applicant: **Samsung Electronics Co., Ltd.**,  
Suwon-si, Gyeonggi-do (KR)

(72) Inventors: **Jong-Kyu Kim**, Yongin-si (KR);  
**Kwang-Hyuck So**, Seoul (KR);  
**Seung-Wook Jeong**, Seoul (KR)

(73) Assignee: **SAMSUNG ELECTRONICS CO., LTD.** (KR)

(\*\*) Term: **14 Years**

(21) Appl. No.: **29/507,569**

(22) Filed: **Oct. 29, 2014**

(30) **Foreign Application Priority Data**

May 12, 2014 (KR) ..... 30-2014-0023274

(51) **LOC (10) Cl.** ..... **14-02**

(52) **U.S. Cl.**  
USPC ..... **D18/55**

(58) **Field of Classification Search**  
USPC ..... D18/4.5, 4.6, 14, 19, 36-39, 50, 54,  
D18/54.1, 55  
CPC ..... B41J 3/4075; B41J 11/58; B41J 15/12;  
B41J 15/042; B41J 17/00; B41J 29/02;  
B41J 29/08  
See application file for complete search history.

(56) **References Cited**

U.S. PATENT DOCUMENTS

D458,297 S \* 6/2002 Laidlaw ..... D18/36  
D575,330 S \* 8/2008 Egami ..... D18/55

D607,504 S \* 1/2010 Sasaki ..... D18/55  
D645,897 S \* 9/2011 Chuang ..... D18/50  
8,155,556 B2 \* 4/2012 Moribe ..... H04N 1/00525  
D18/50  
D664,192 S \* 7/2012 Emmenegger ..... D18/50  
D702,760 S \* 4/2014 Kim ..... D18/55  
D718,383 S \* 11/2014 Lo ..... D18/55  
D727,410 S \* 4/2015 Saito ..... D18/36  
D742,960 S \* 11/2015 Lee ..... D18/50

\* cited by examiner

*Primary Examiner* — Cathy Anne MacCormac

(74) *Attorney, Agent, or Firm* — Cantor Colburn LLP

(57) **CLAIM**

We claim the ornamental design for a multi-function printer, as shown and described.

**DESCRIPTION**

FIG. 1 is a front perspective view of a multi-function printer showing our new design;  
FIG. 2 is a front view thereof;  
FIG. 3 is a rear view thereof;  
FIG. 4 is a left side view thereof;  
FIG. 5 is a right side view thereof;  
FIG. 6 is a top view thereof;  
FIG. 7 is a bottom view thereof; and,  
FIG. 8 is another left side view thereof, showing the multi-function printer in an alternate configuration.  
The broken lines illustrating portions of the multi-function printer depict environmental subject matter and form no part of the claimed design.  
The dot-dash broken lines define boundaries the between the claimed and non-claimed subject matter and form no part of the claimed design.

**1 Claim, 8 Drawing Sheets**

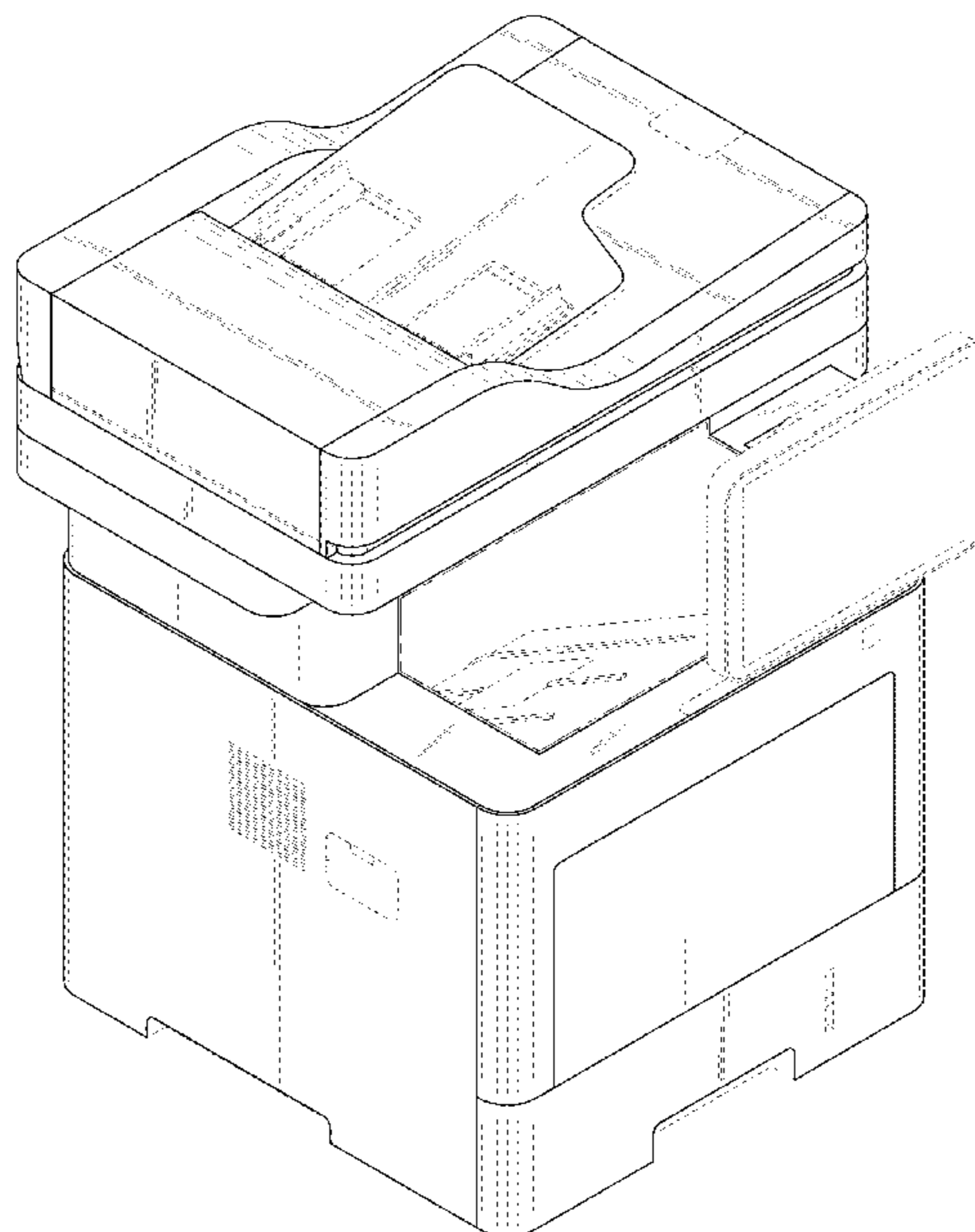


FIG.1

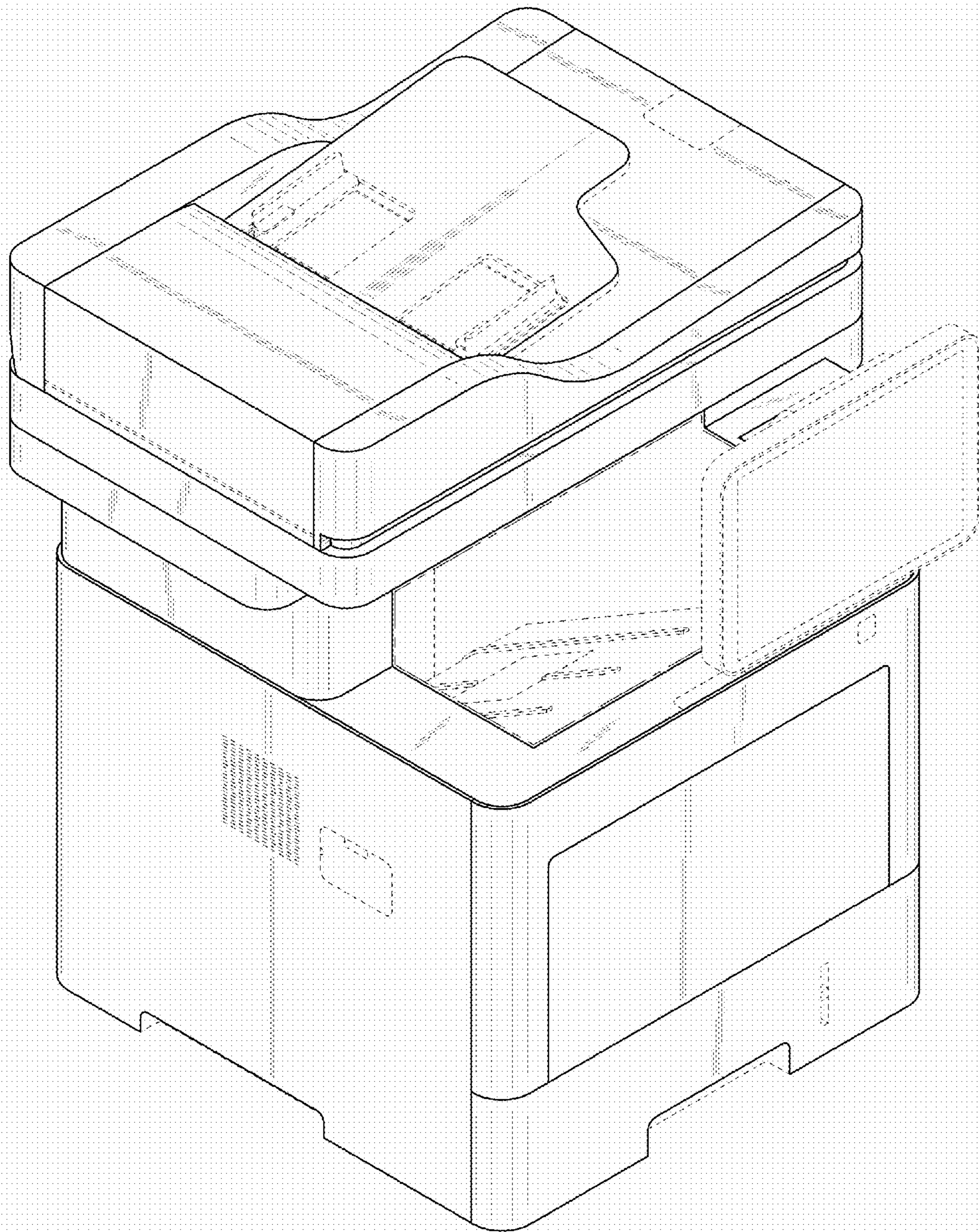


FIG.2

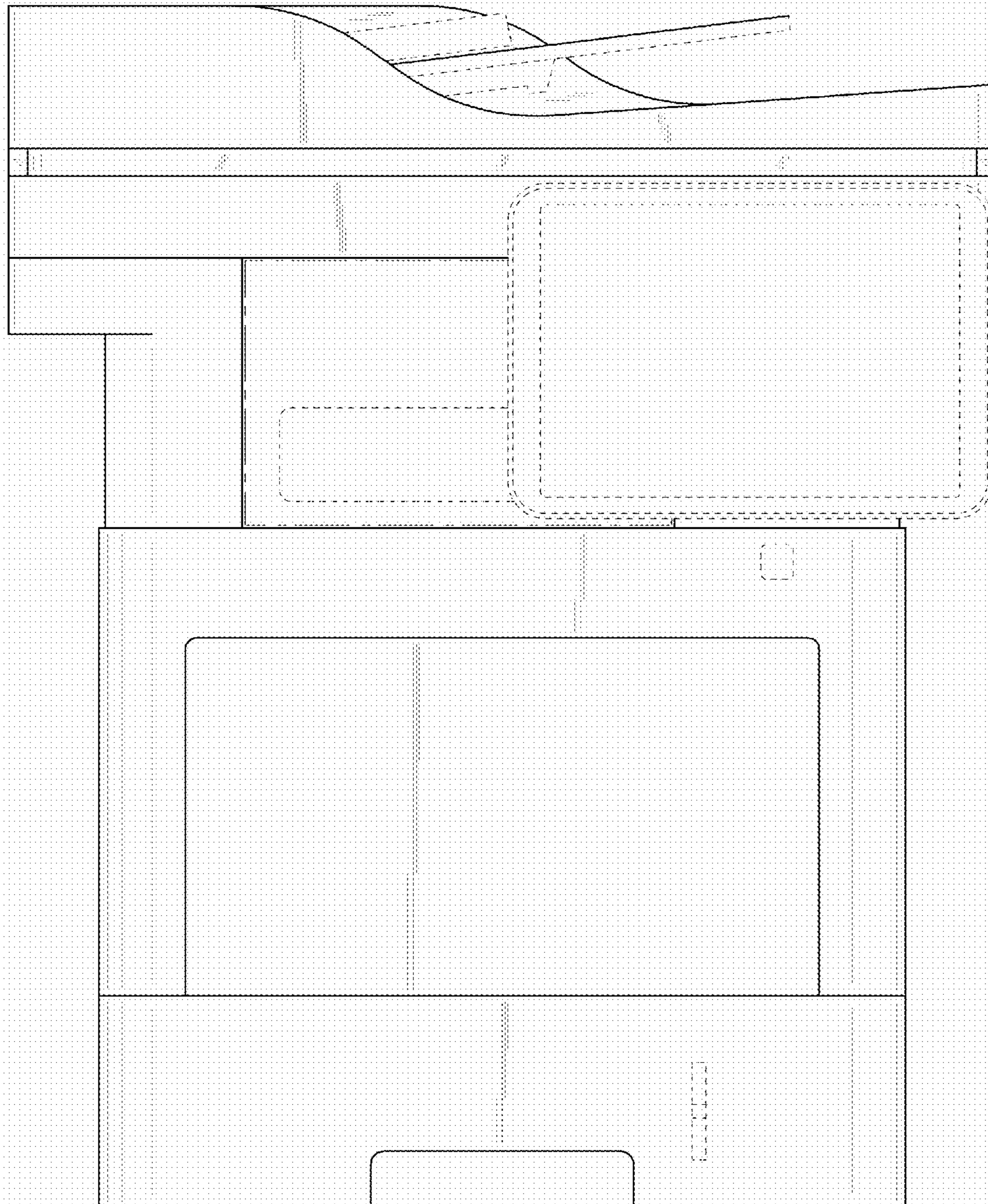


FIG.3

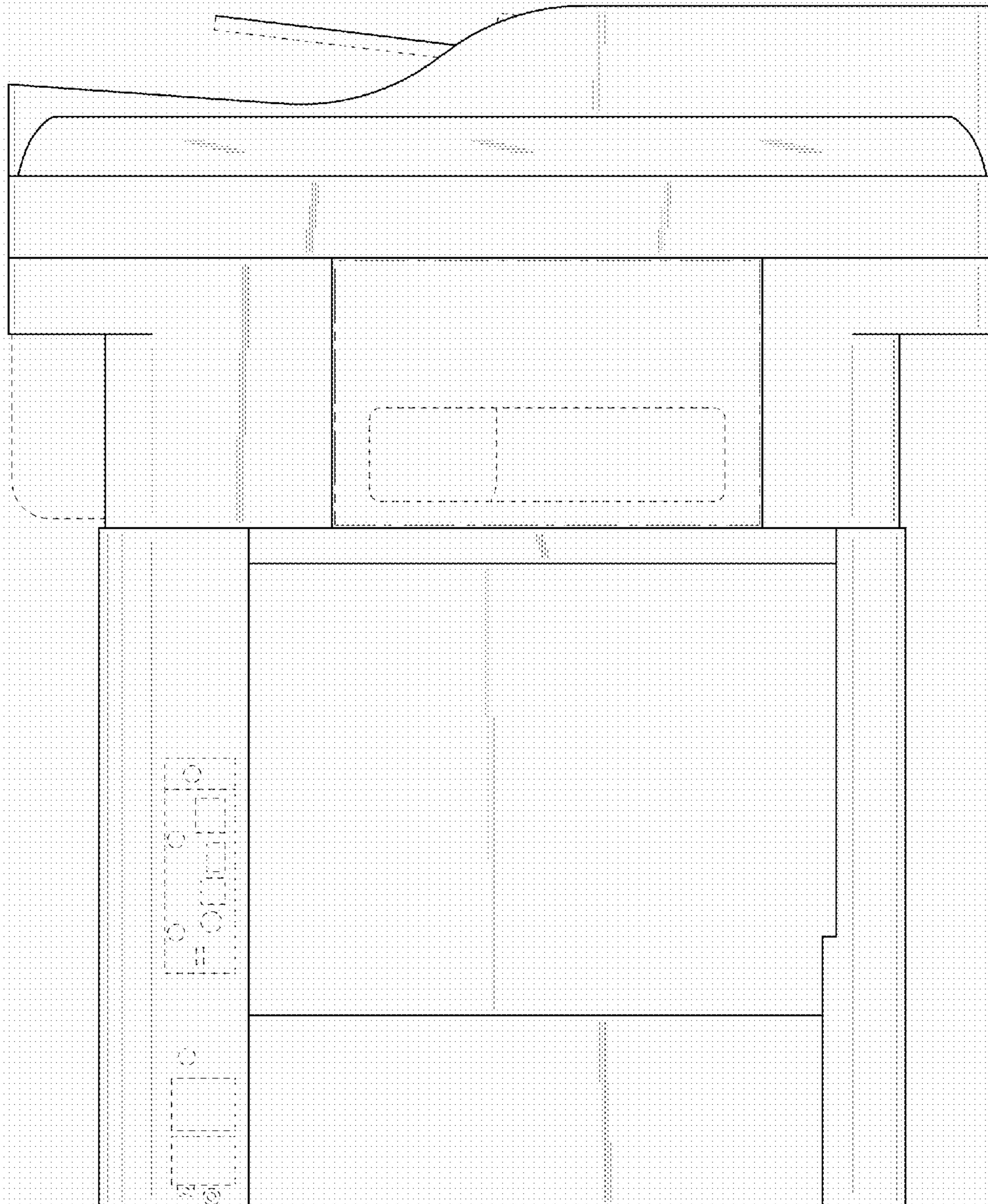


FIG.4

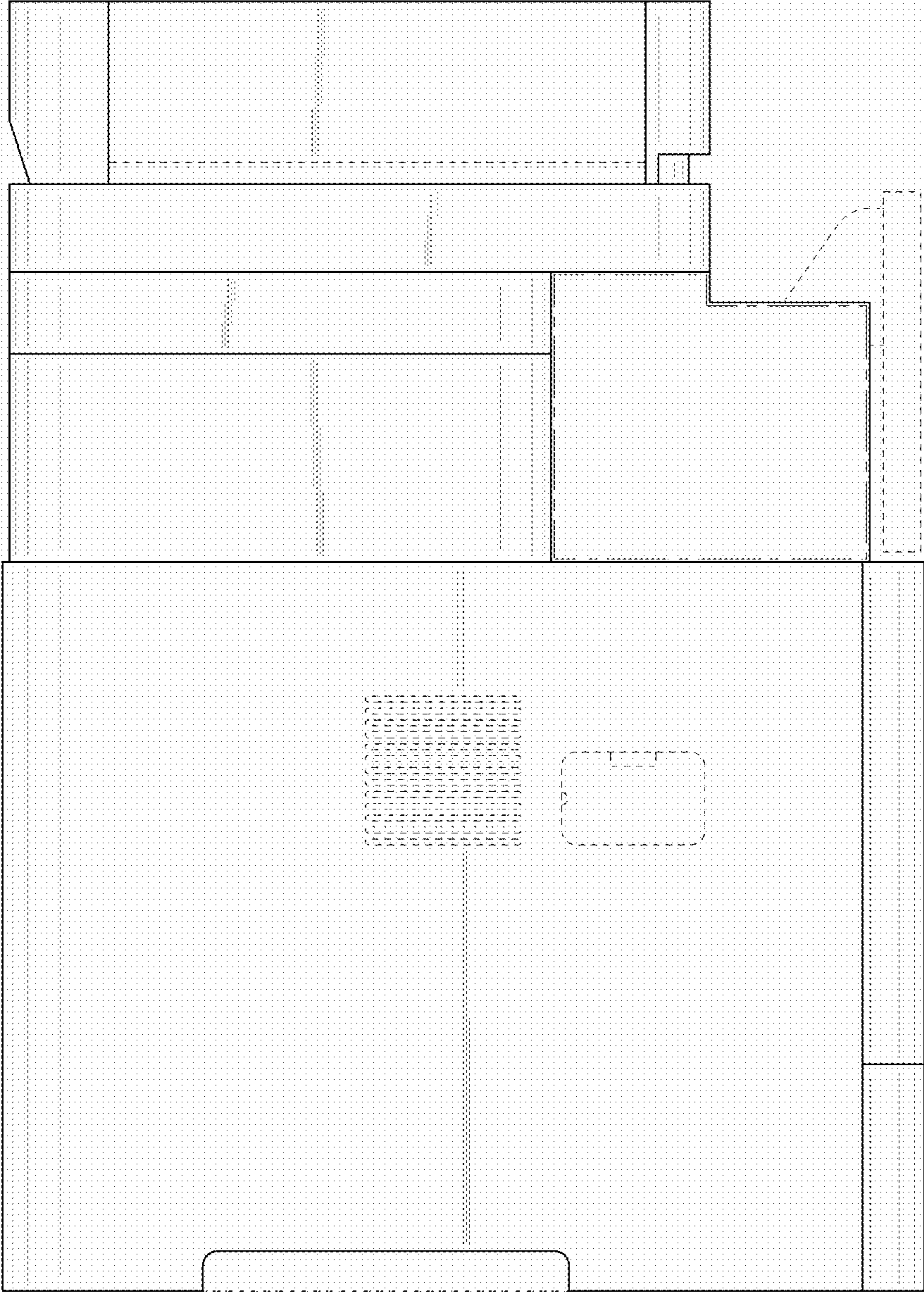


FIG.5

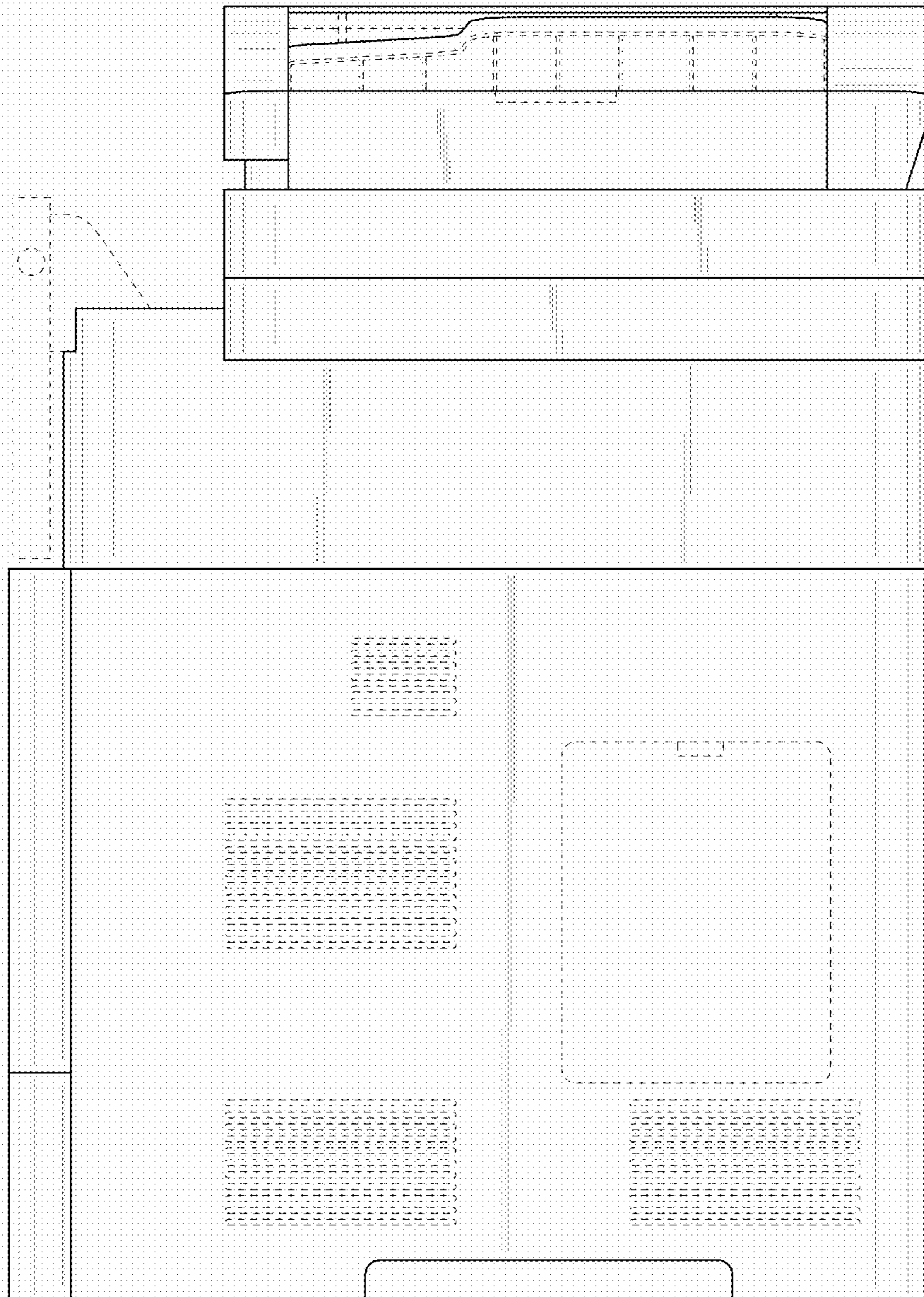


FIG.6

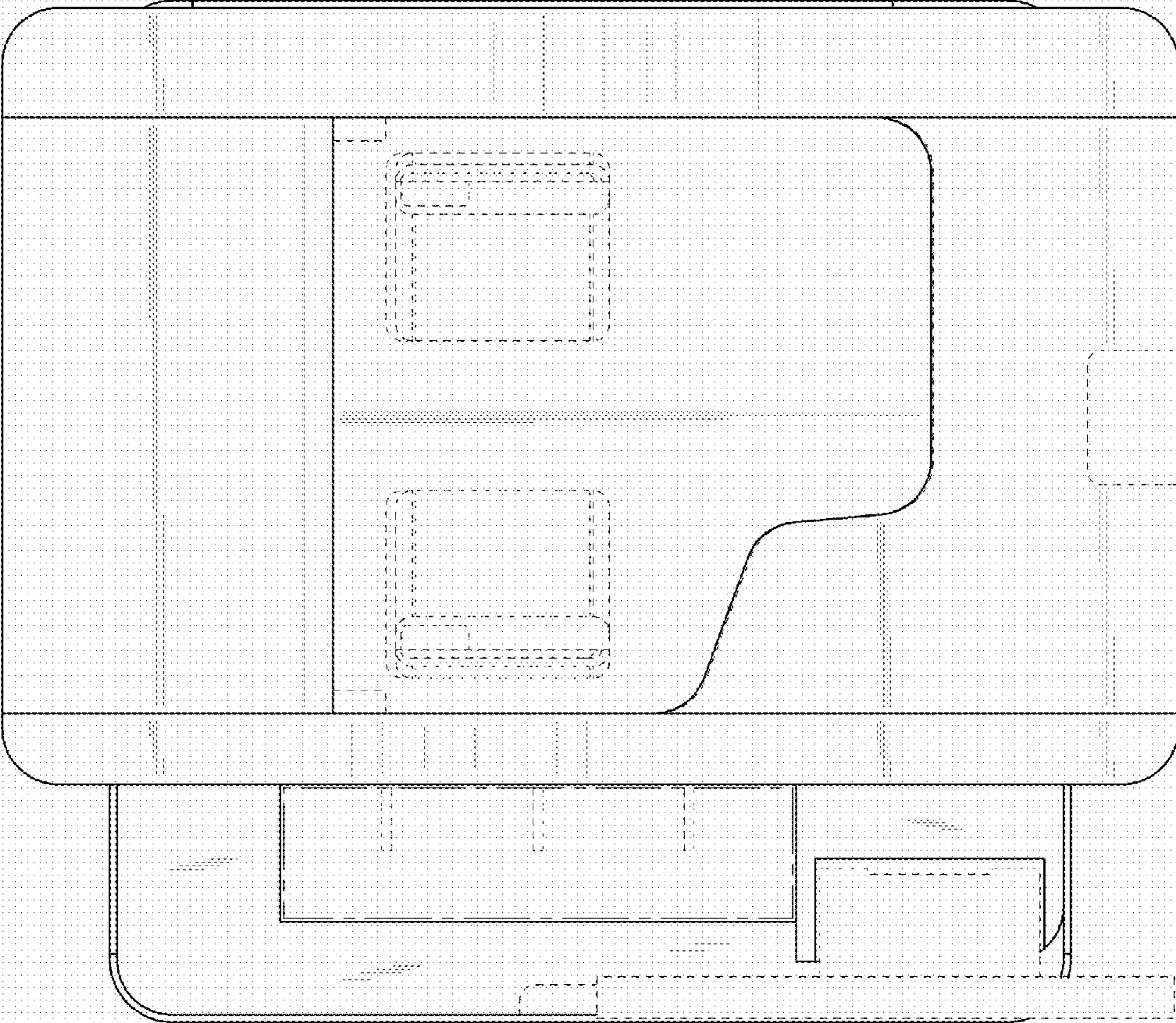


FIG.7

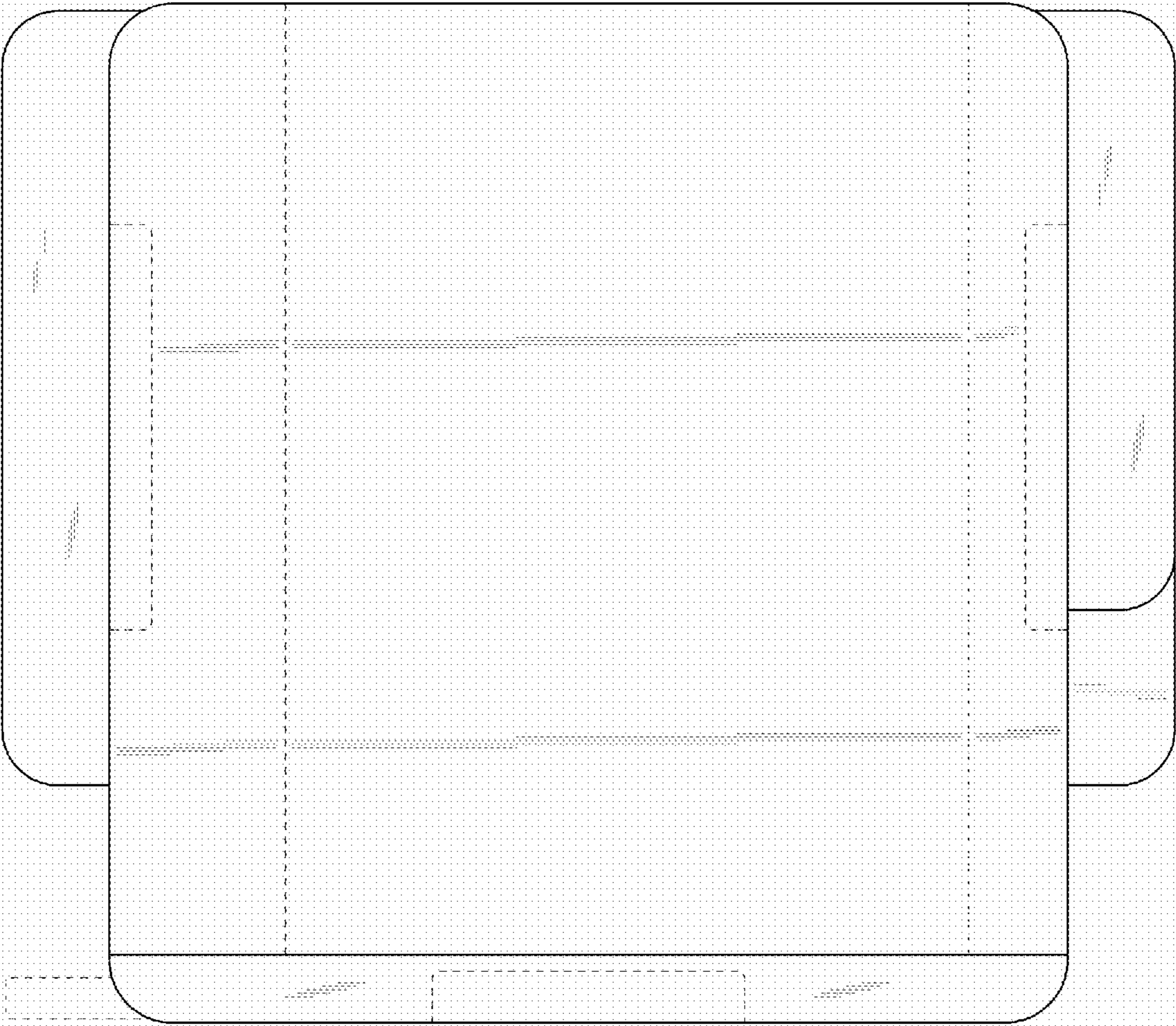




FIG.8

