



US00D755285S

(12) **United States Design Patent**
Minamide et al.

(10) **Patent No.:** **US D755,285 S**
(45) **Date of Patent:** **** May 3, 2016**

(54) **PRINTER**

(56) **References Cited**

(71) Applicant: **Samsung Electronics Co., Ltd.**,
Suwon-si, Gyeonggi-do (KR)
(72) Inventors: **Keiichi Minamide**, Tokyo (JP); **Takeo**
Aoki, Tokyo (JP)
(73) Assignee: **SAMSUNG ELECTRONICS CO.,**
LTD. (KR)
(**) Term: **14 Years**

U.S. PATENT DOCUMENTS

D181,794 S *	12/1957	Hohmann	D18/54
D273,953 S *	5/1984	Lahey	D18/55
D274,823 S *	7/1984	Leach et al.	D18/54
D287,371 S *	12/1986	Bekooy	D18/49
D288,448 S *	2/1987	Hiroki	D18/54
D293,577 S *	1/1988	Gauffin	D18/54
D322,277 S *	12/1991	Clary et al.	D18/50
D328,594 S *	8/1992	Kobayashi	D14/424
D343,857 S *	2/1994	Clary	D18/50
D494,185 S *	8/2004	Rowell	D18/40
7,090,345 B2 *	8/2006	Pierce	400/693
D607,000 S *	12/2009	Cheng et al.	D14/485

* cited by examiner

(21) Appl. No.: **29/486,250**

Primary Examiner — Cathy Anne MacCormac

(22) Filed: **Mar. 27, 2014**

(74) *Attorney, Agent, or Firm* — Cantor Colburn LLP

(30) **Foreign Application Priority Data**

(57) **CLAIM**

The ornamental design for a printer, as shown and described.

Oct. 28, 2013 (KR) 30-2013-0054031

DESCRIPTION

(51) **LOC (10) Cl.** **14-02**

FIG. 1 is a front perspective view of a printer showing our new design;

(52) **U.S. Cl.**

FIG. 2 is a front view thereof;

USPC **D18/50**

FIG. 3 is a rear view thereof;

(58) **Field of Classification Search**

FIG. 4 is a left side view thereof;

USPC D18/14, 19, 50, 53, 54, 54.1, 55, 40;

FIG. 5 is a right side view thereof; and,

D14/420–425, 462, 470; 400/613,

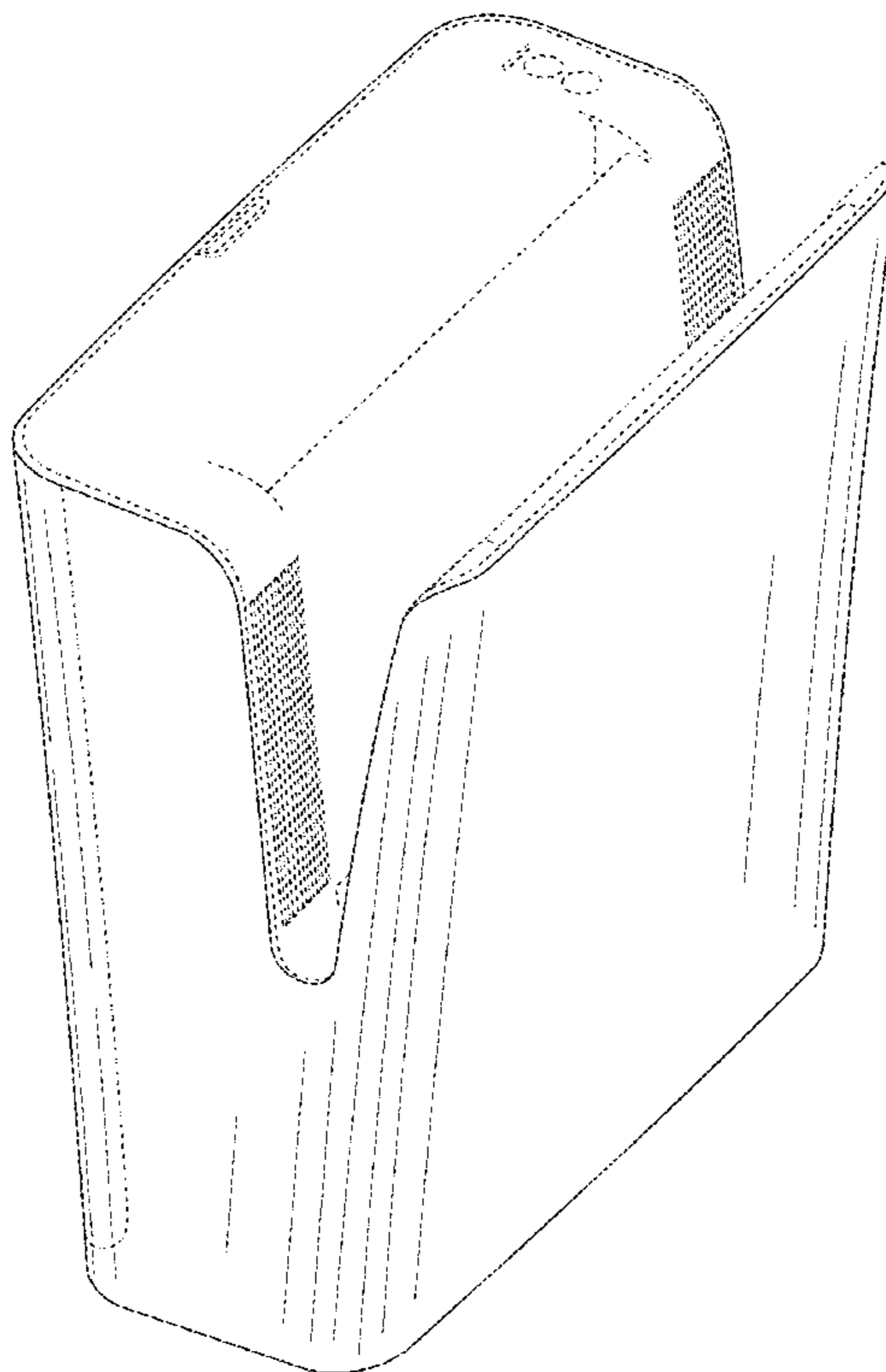
FIG. 6 is a bottom view thereof.

400/613.1–613.4, 690.1–690.4, 691–694

The broken lines depict environmental subject matter only, and form no part of the claimed design.

See application file for complete search history.

1 Claim, 6 Drawing Sheets



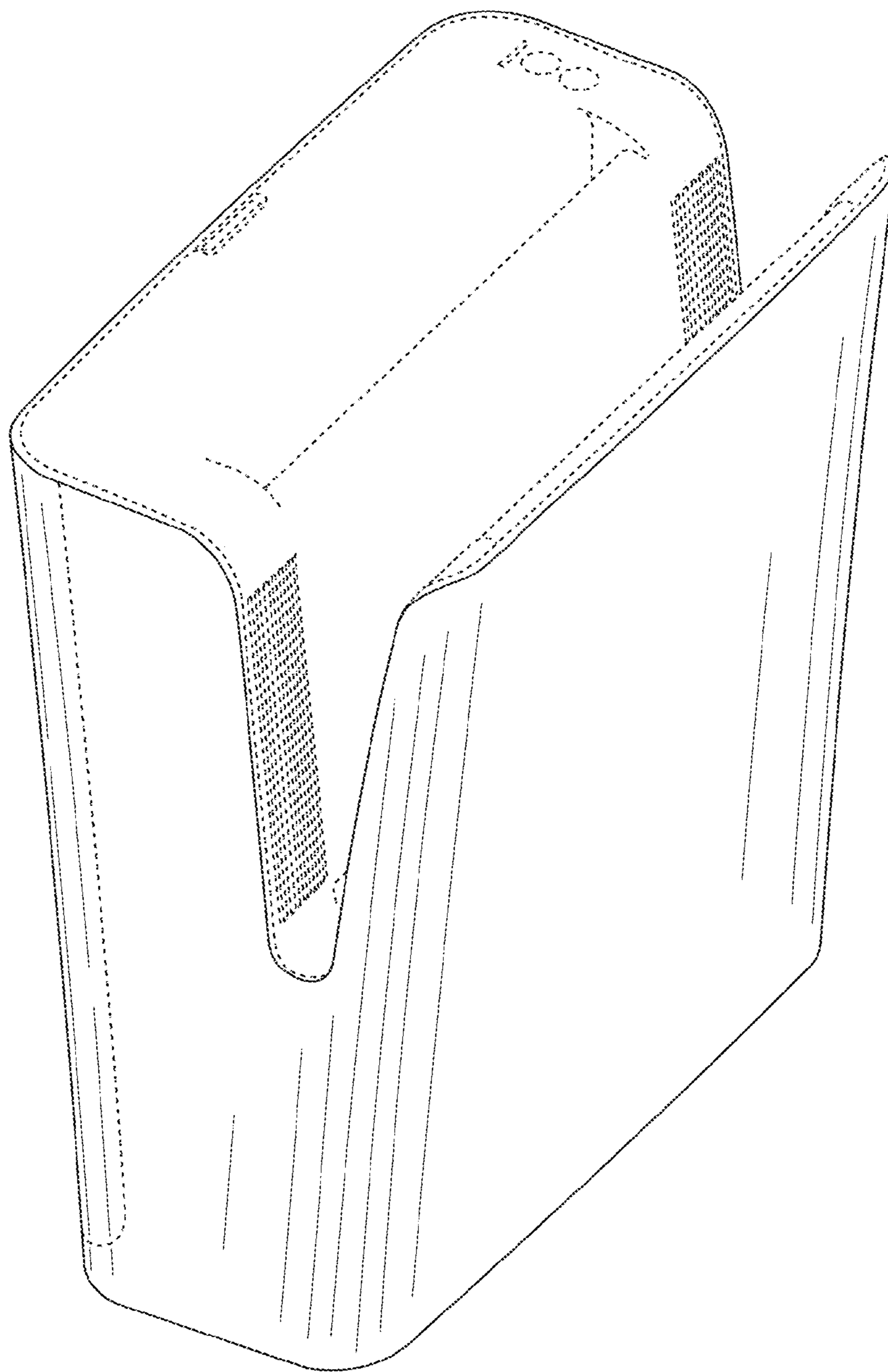


FIG. 1

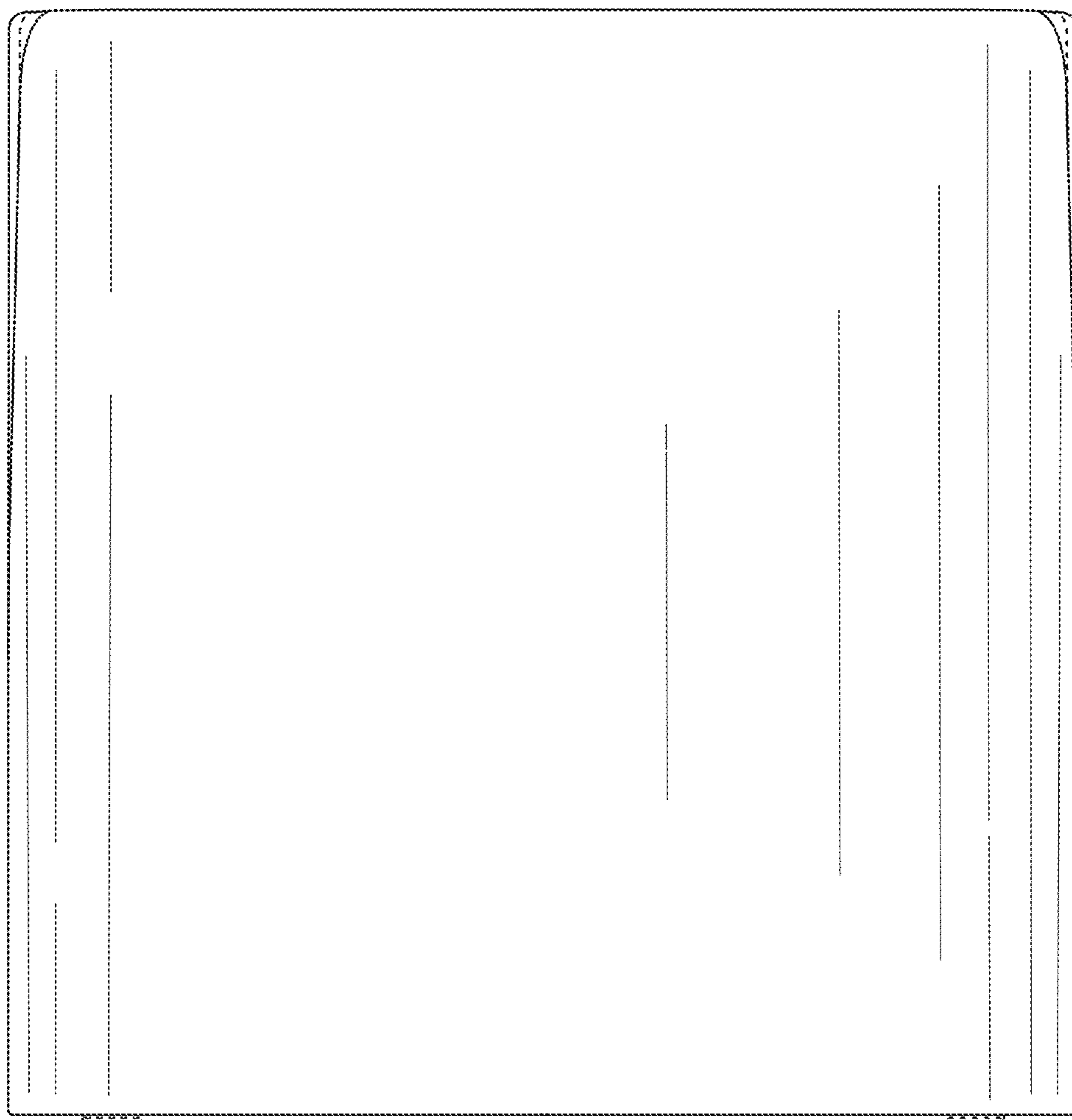


FIG. 2

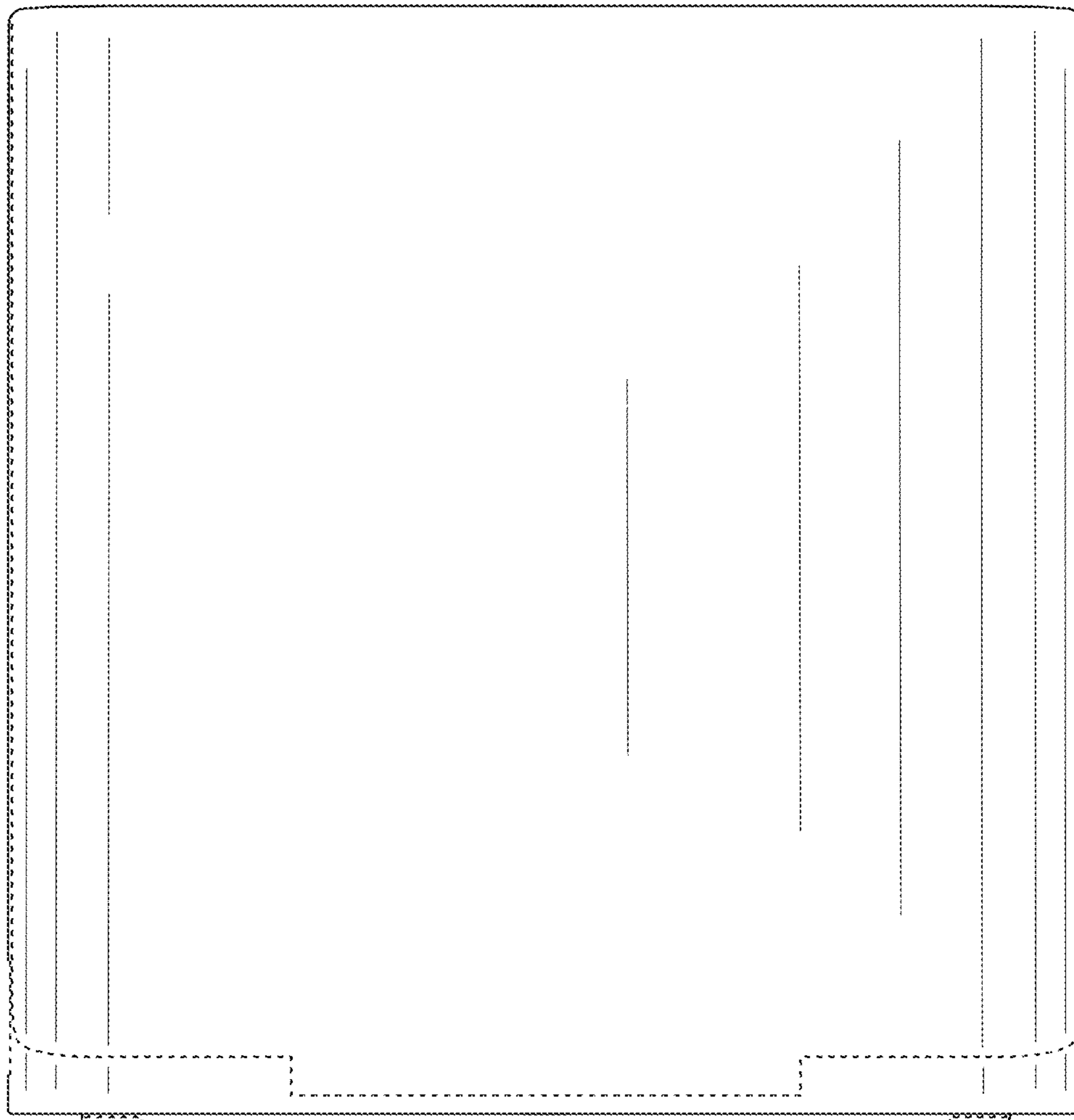


FIG. 3

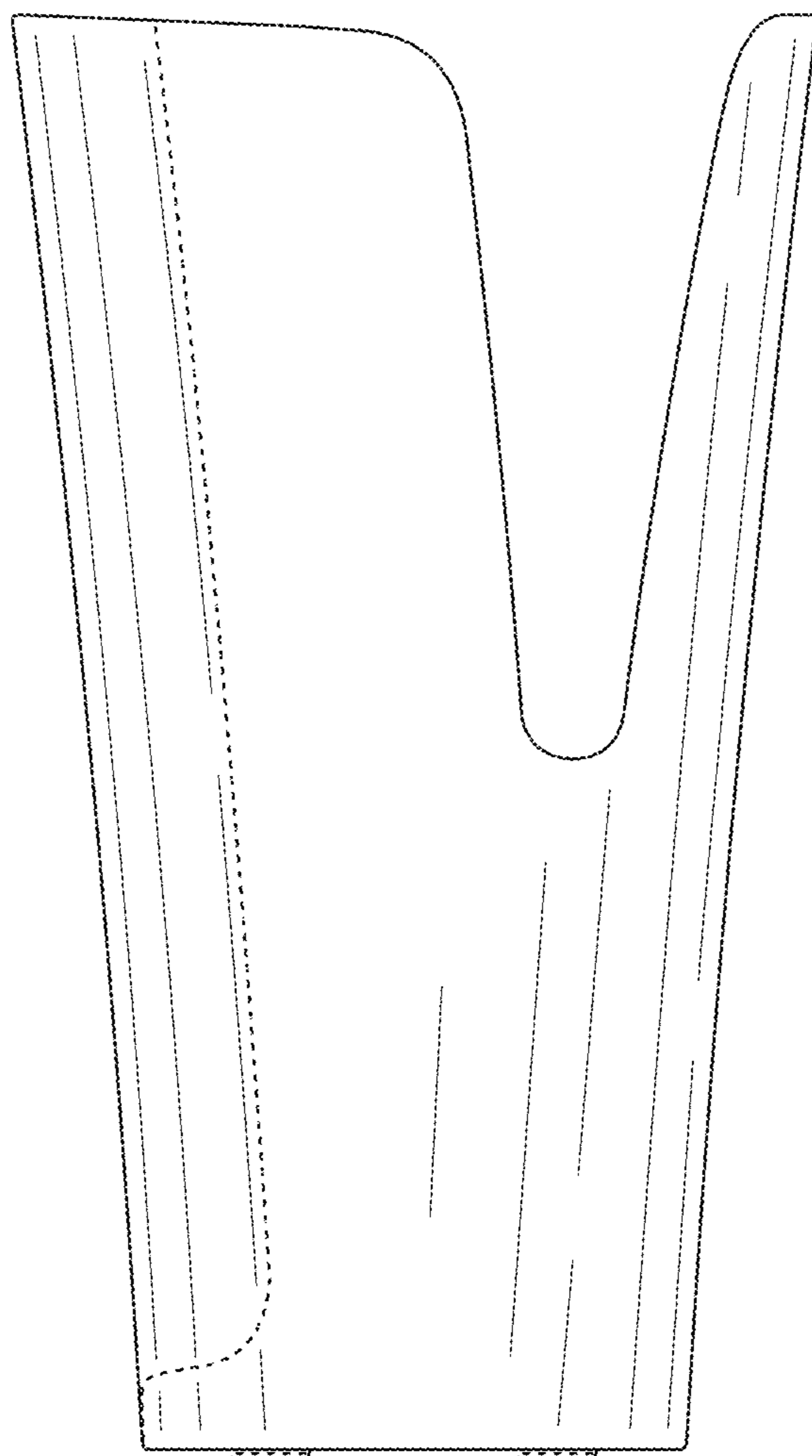


FIG. 4

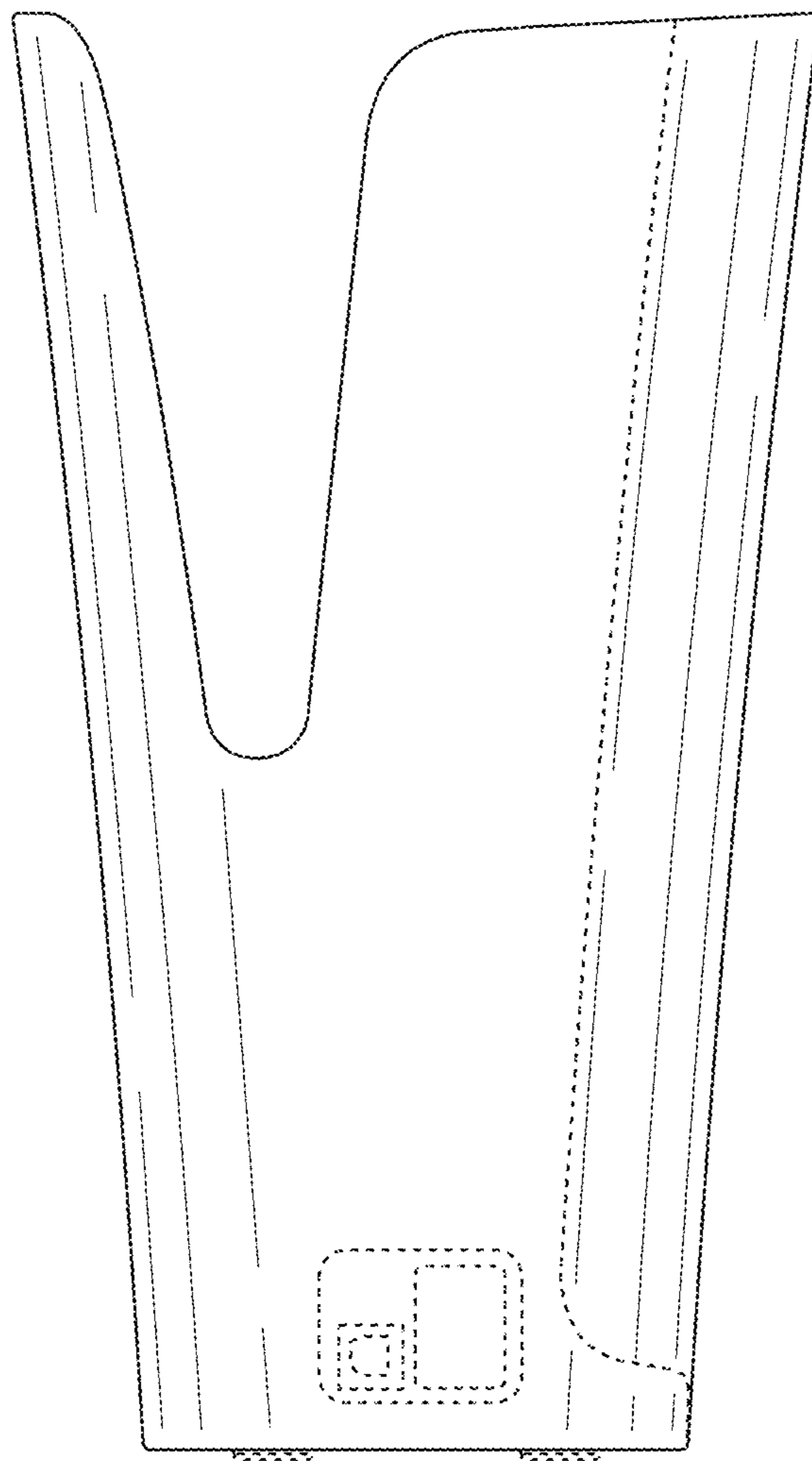


FIG. 5

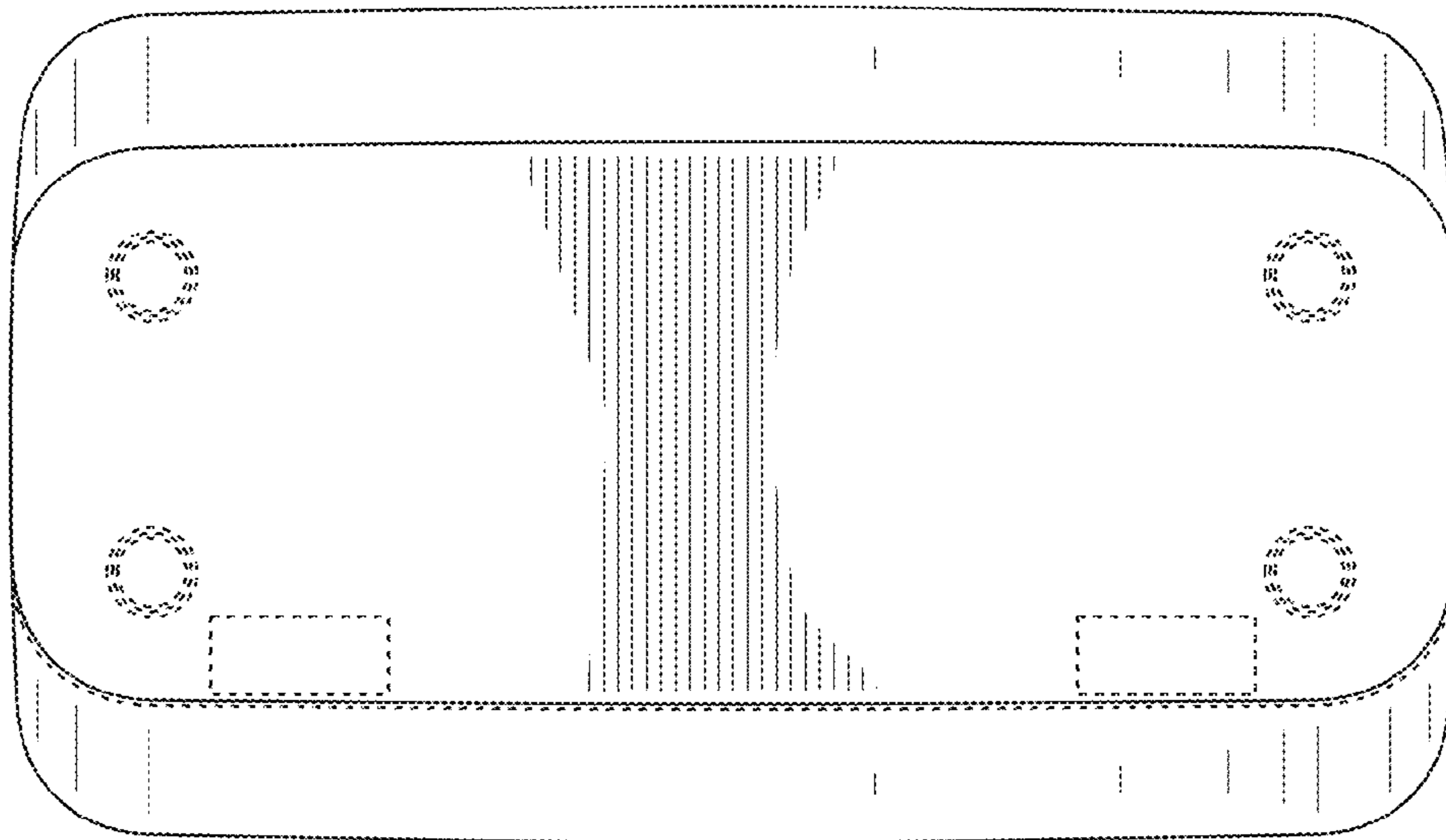


FIG. 6