



US00D755283S

(12) **United States Design Patent**
Lee et al.

(10) **Patent No.:** **US D755,283 S**
(45) **Date of Patent:** **** May 3, 2016**

(54) **TONER CARTRIDGE**

(71) Applicant: **Samsung Electronics Co., Ltd.**,
Suwon-si, Gyeonggi-do (KR)

(72) Inventors: **Sang-Hoon Lee**, Suwon-si (KR);
Ji-Won Moon, Anyang-si (KR); **Ho-Jin Jang**,
Suwon-si (KR); **Seung-Chan Park**, Hwaseong-si (KR); **Dong-Cheol Ahn**,
Yongin-si (KR); **Yong-Il Moon**, Seoul (KR); **Dong-Geun Lee**, Busan (KR); **Yong-Kwan Cho**, Icheon (KR)

(73) Assignee: **SAMSUNG ELECTRONICS CO., LTD.** (KR)

(**) Term: **14 Years**

(21) Appl. No.: **29/512,085**

(22) Filed: **Dec. 16, 2014**

(30) **Foreign Application Priority Data**

Jun. 17, 2014 (KR) 30-2014-0029528

(51) **LOC (10) Cl.** **16-03**

(52) **U.S. Cl.**
USPC **D18/43**

(58) **Field of Classification Search**
USPC D18/18, 40, 43, 56, 99
CPC G03G 15/0832; G03G 15/0834; G03G 15/0836;
G03G 15/0837; G03G 15/0867; G03G 15/0868;
G03G 15/0872; G03G 15/0877; G03G 15/0898; G03G 15/50;
G03G 15/5016; G03G 15/60; G03G 15/65
See application file for complete search history.

(56) **References Cited**

U.S. PATENT DOCUMENTS

D379,829 S * 6/1997 Hayashi D18/43
D442,624 S * 5/2001 Maeshima D18/43

D471,228 S * 3/2003 Okabe D18/43
D524,849 S * 7/2006 Komai D18/43
D647,557 S * 10/2011 Iketani D18/43
D647,558 S * 10/2011 Eto D18/43

* cited by examiner

Primary Examiner — Daniel Bui
Assistant Examiner — Khawaja Anwar
(74) *Attorney, Agent, or Firm* — Cantor Colburn LLP

(57) **CLAIM**

We claim, the ornamental design for a toner cartridge, as shown and described.

DESCRIPTION

FIG. 1 is a front perspective view of a toner cartridge showing our new design;
FIG. 2 is a front view thereof;
FIG. 3 is a rear view thereof;
FIG. 4 is a left-side view thereof;
FIG. 5 is a right-side view thereof;
FIG. 6 is a top view thereof;
FIG. 7 is a bottom view thereof;
FIG. 8 is a rear perspective view thereof;
FIG. 9 is a bottom perspective view thereof;
FIG. 10 is an enlarged view of portion 10 encircled in FIG. 2;
FIG. 11 is an enlarged view of portion 11 encircled in FIG. 2;
FIG. 12 is an enlarged view of portion 12 encircled in FIG. 2;
FIG. 13 is an enlarged view of portion 13 encircled in FIG. 2;
FIG. 14 is an enlarged view of portion 14 encircled in FIG. 2;
and,
FIG. 15 is an enlarged view of portion 15 encircled in FIG. 8.
The broken lines illustrating portions of the toner cartridge are for environmental purposes only and form no part of the claimed design. The dot-dot-dash broken lines encircling portions of the claimed design that are illustrated in enlargements form no part of the claimed design.

1 Claim, 11 Drawing Sheets

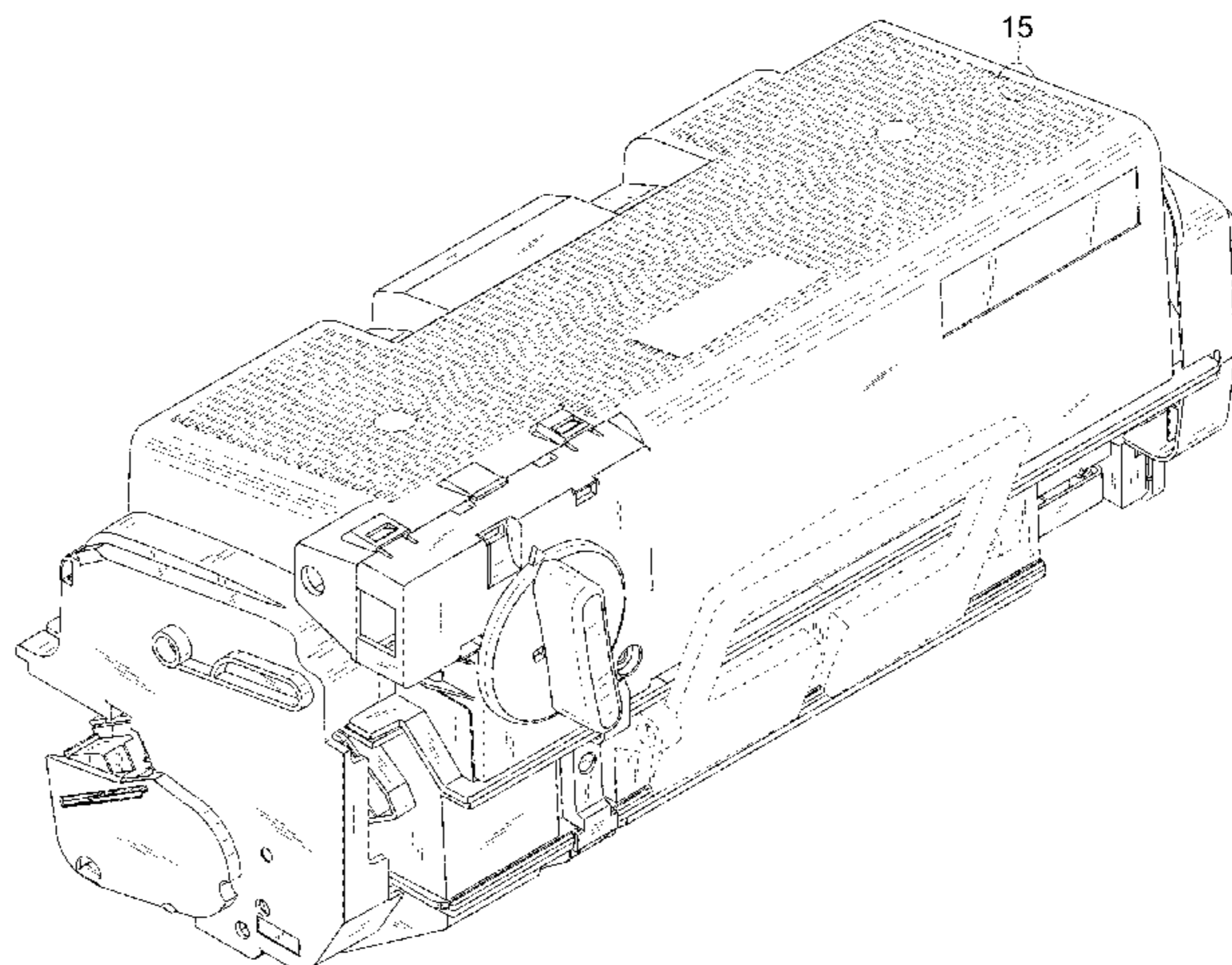
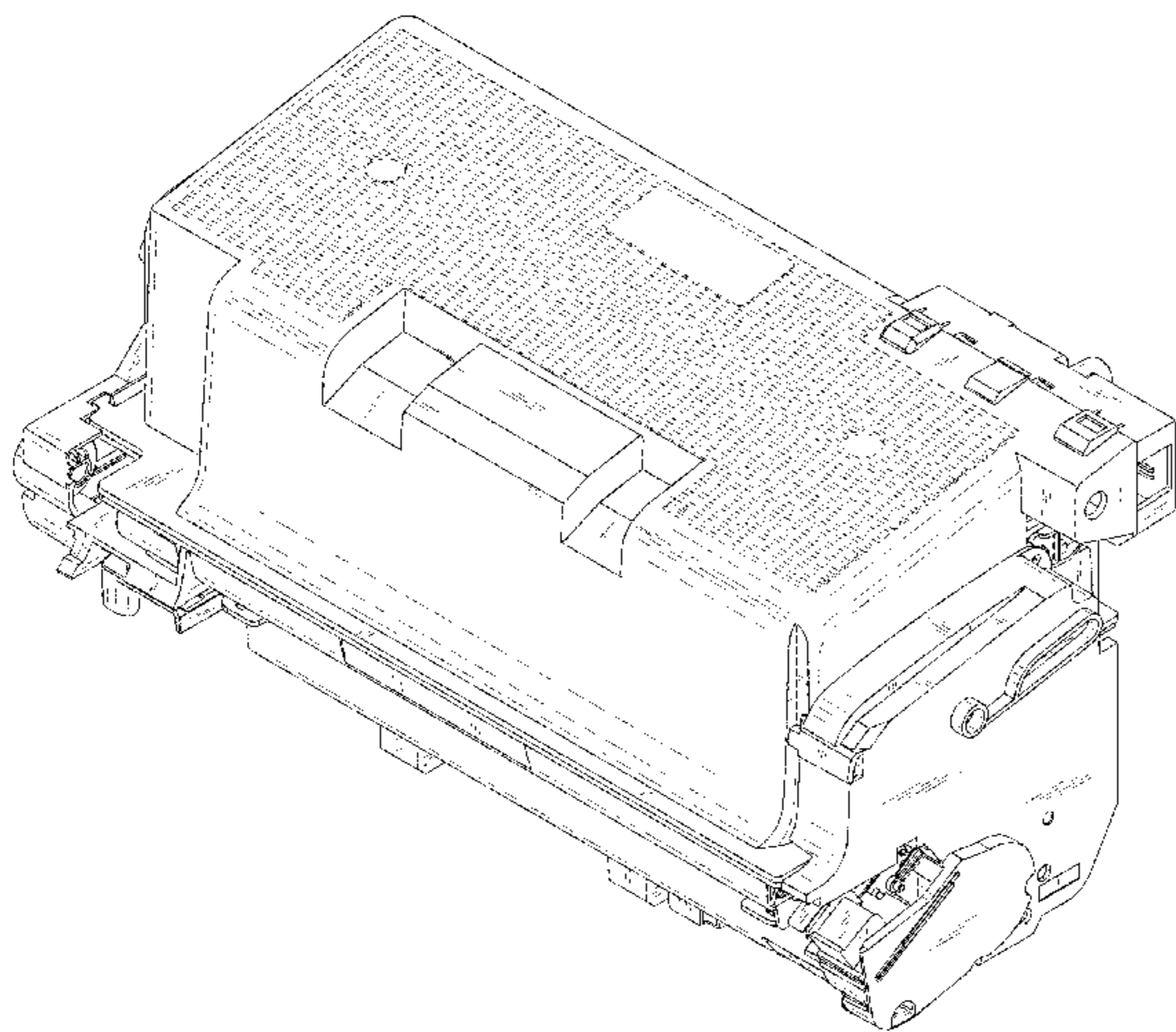


FIG.1

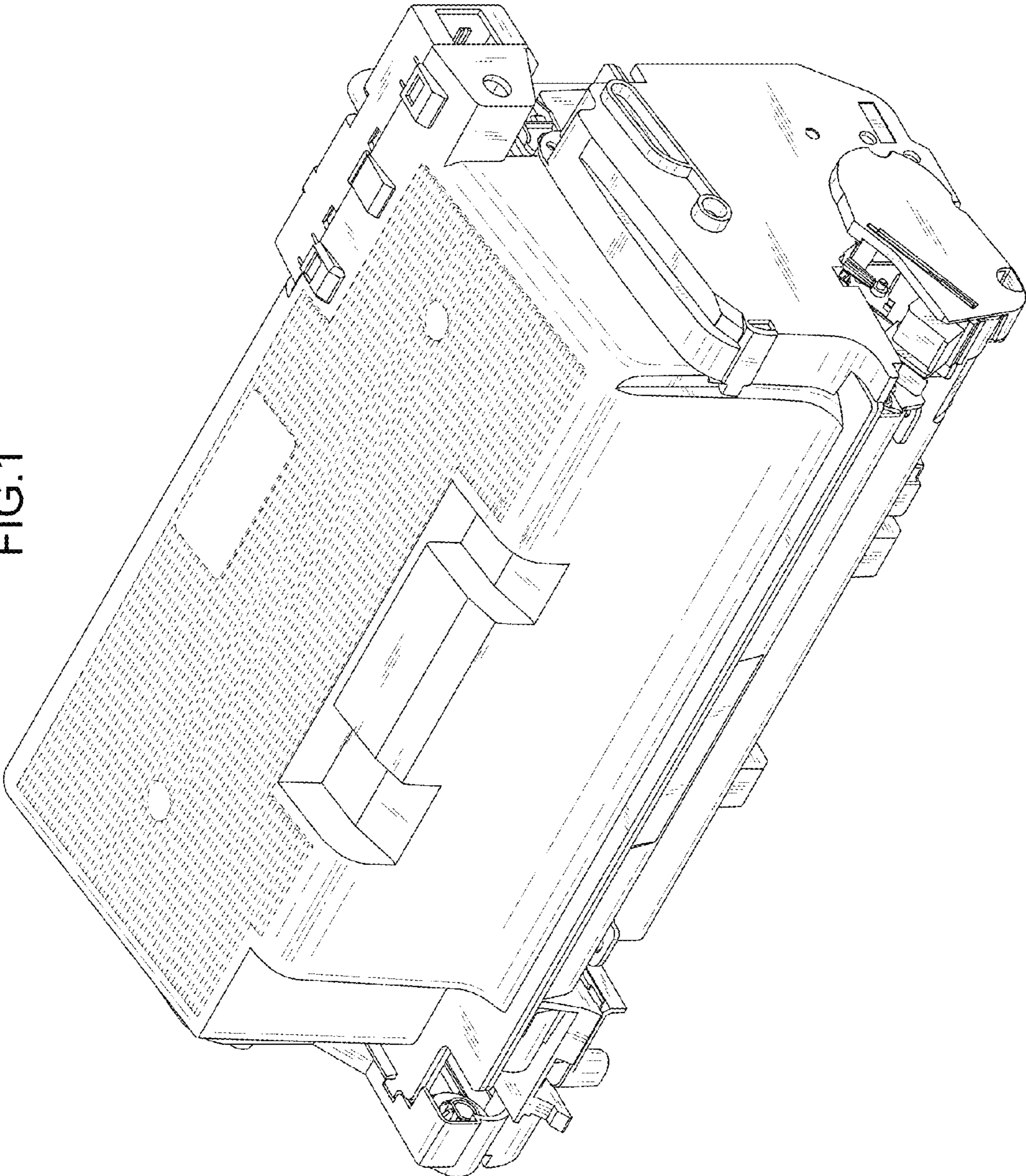


FIG.2

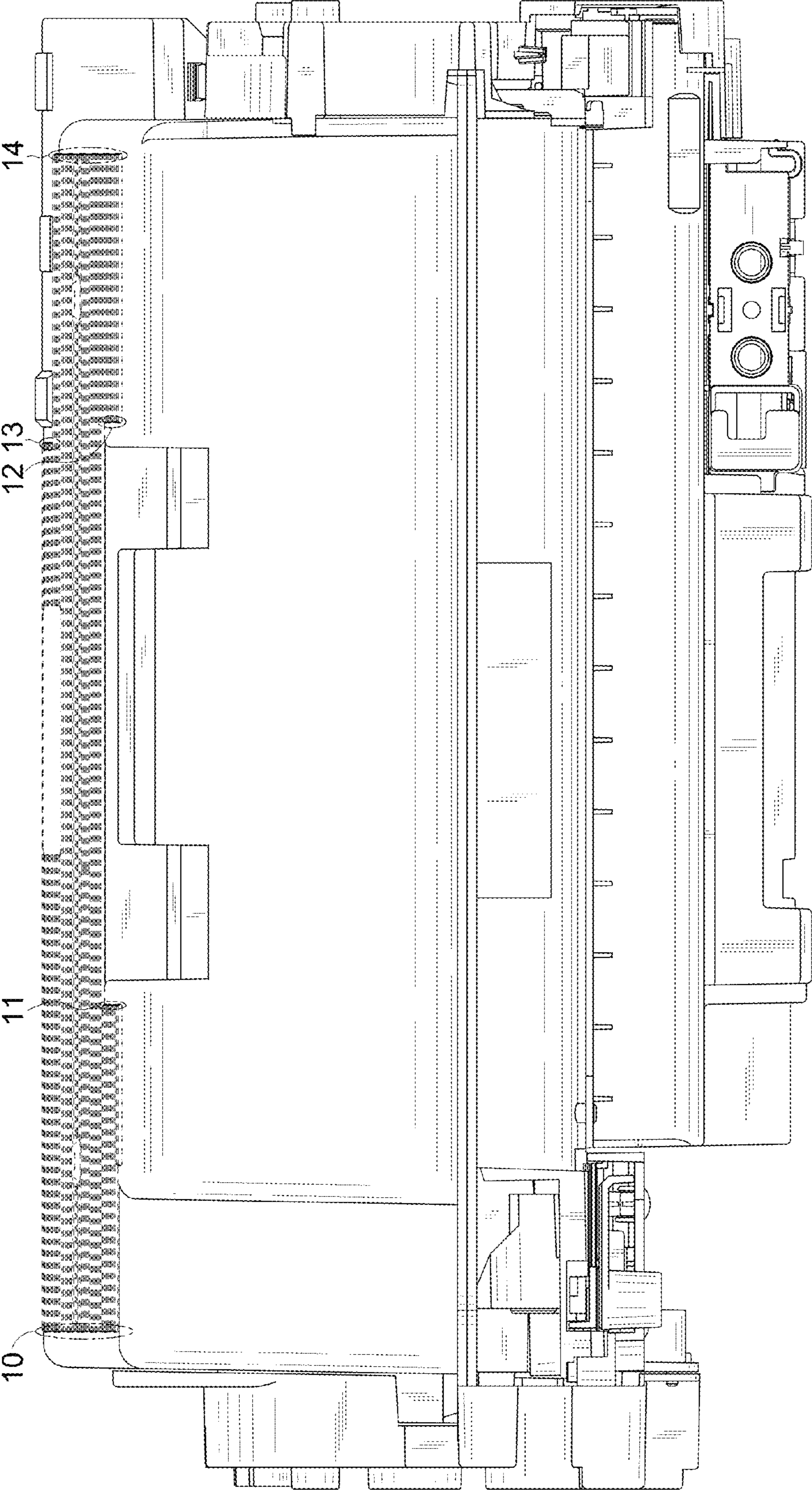


FIG.3

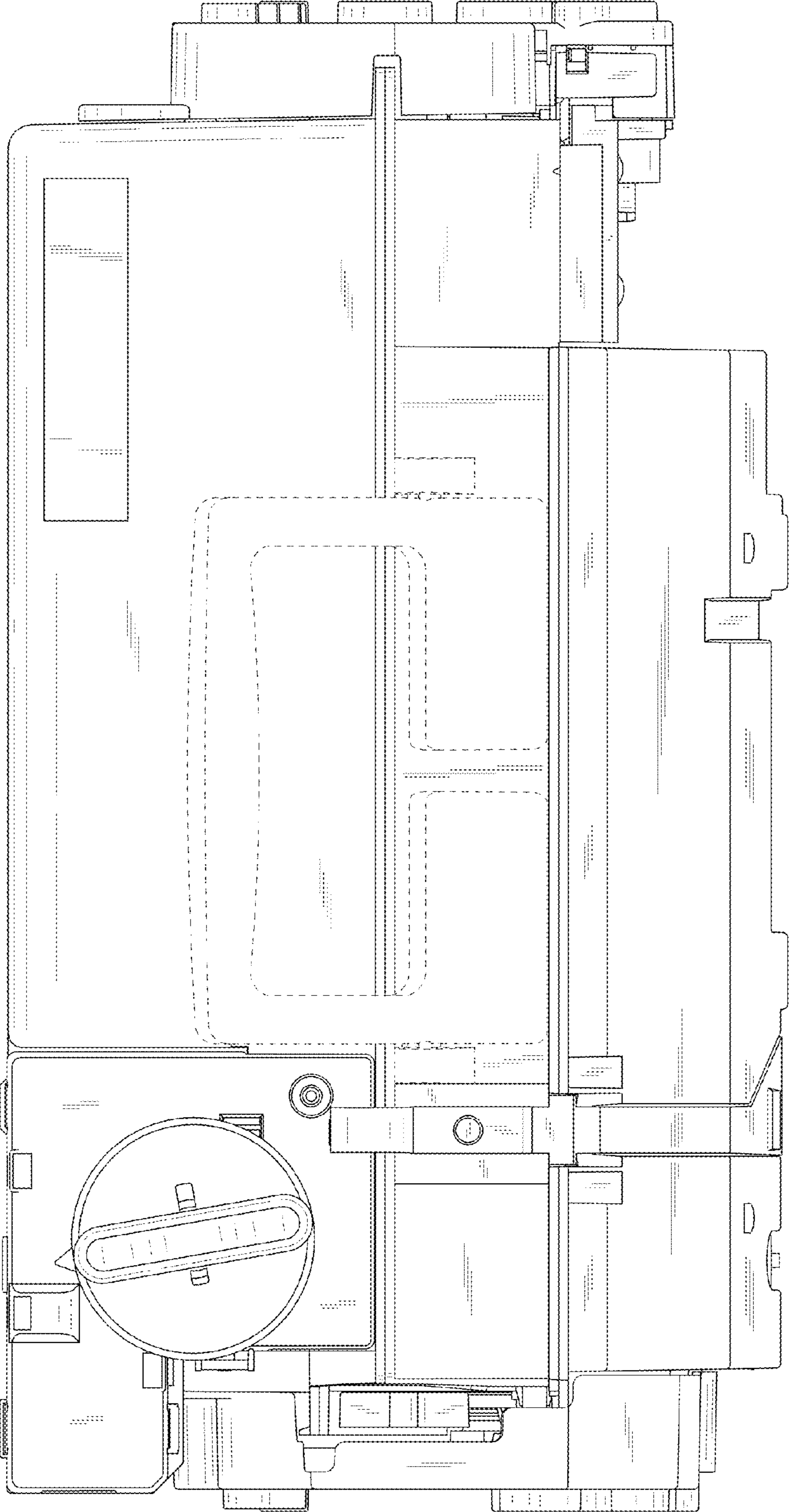


FIG.4

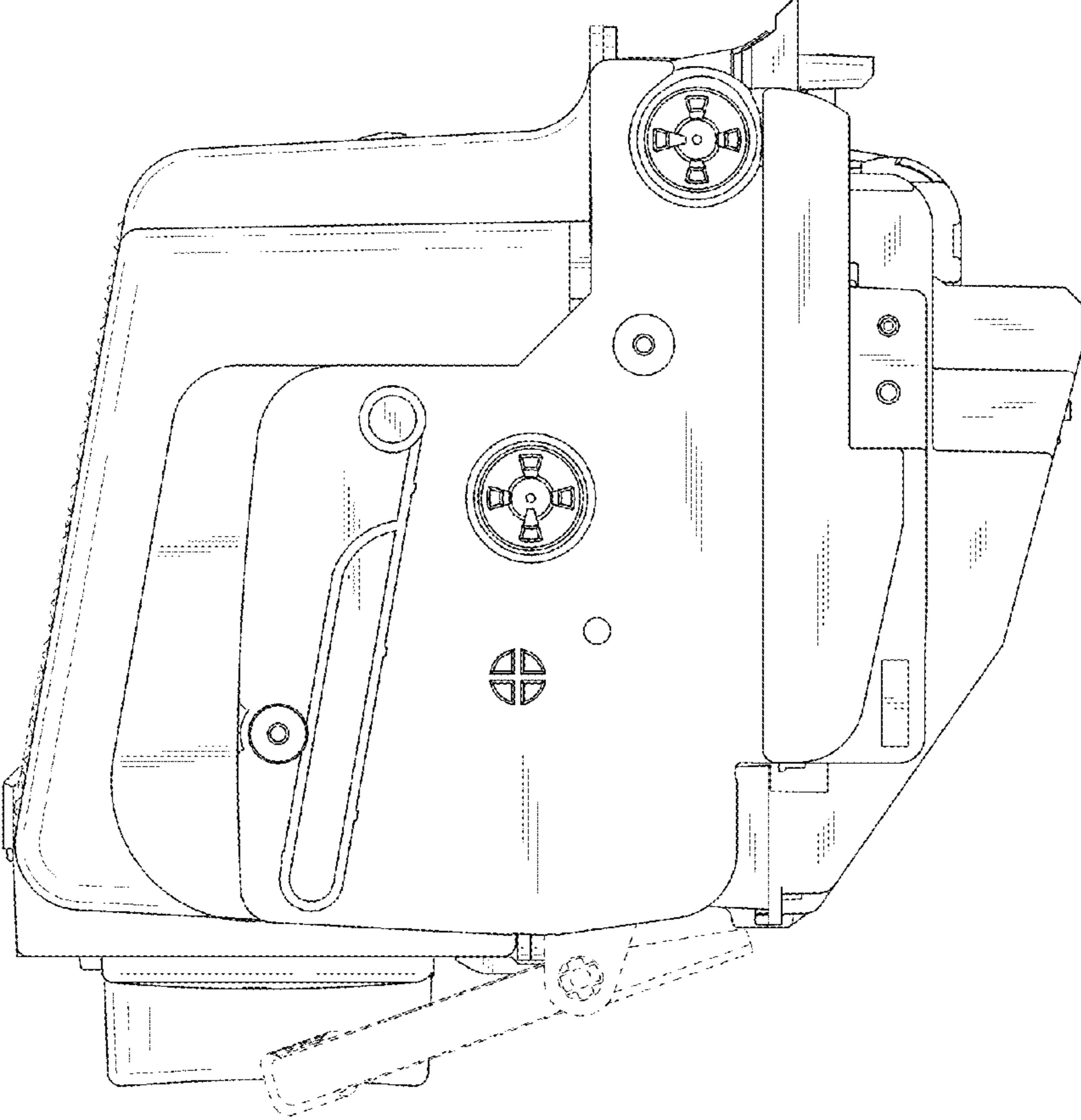


FIG.5

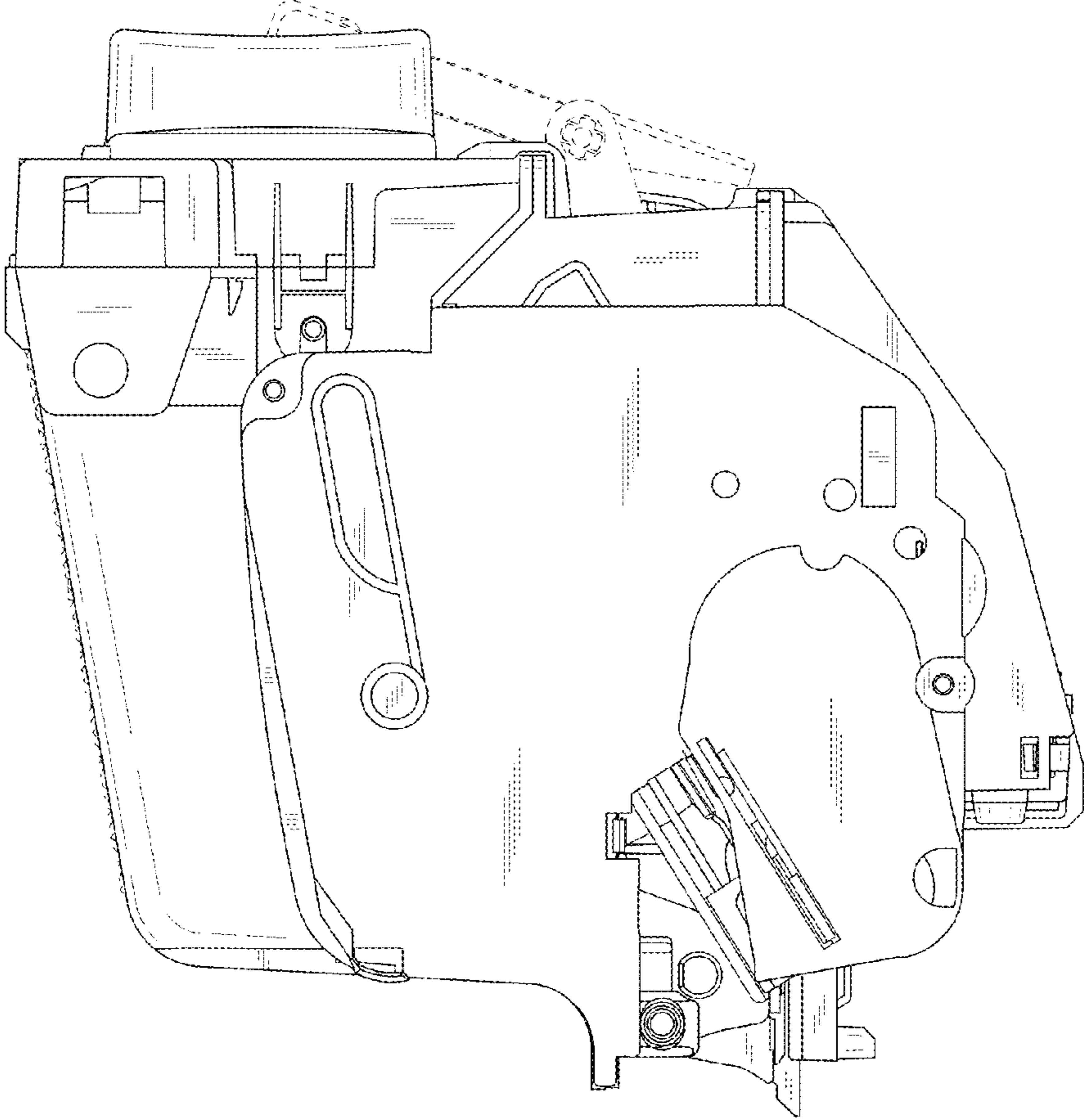


FIG.6

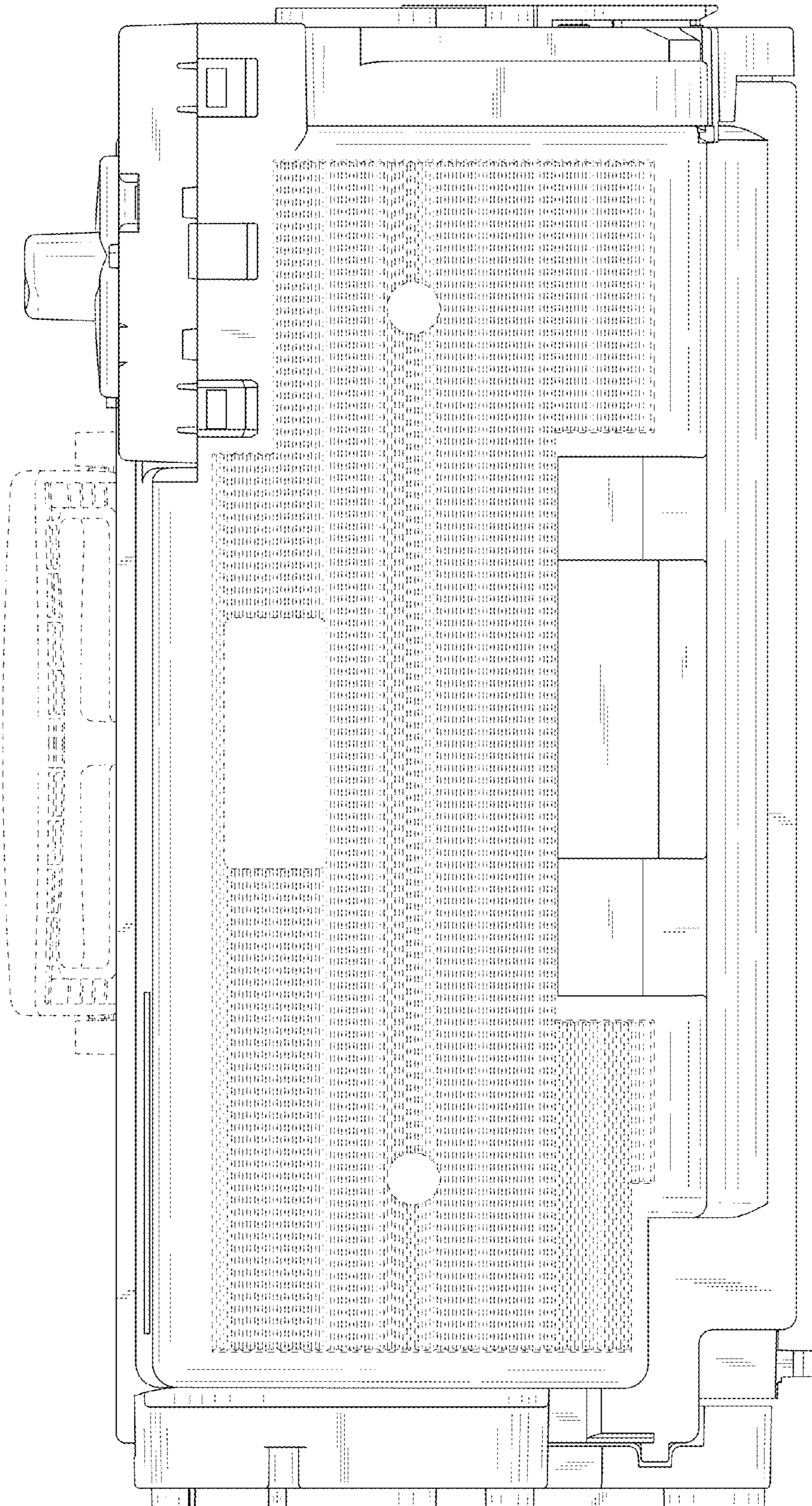


FIG.7

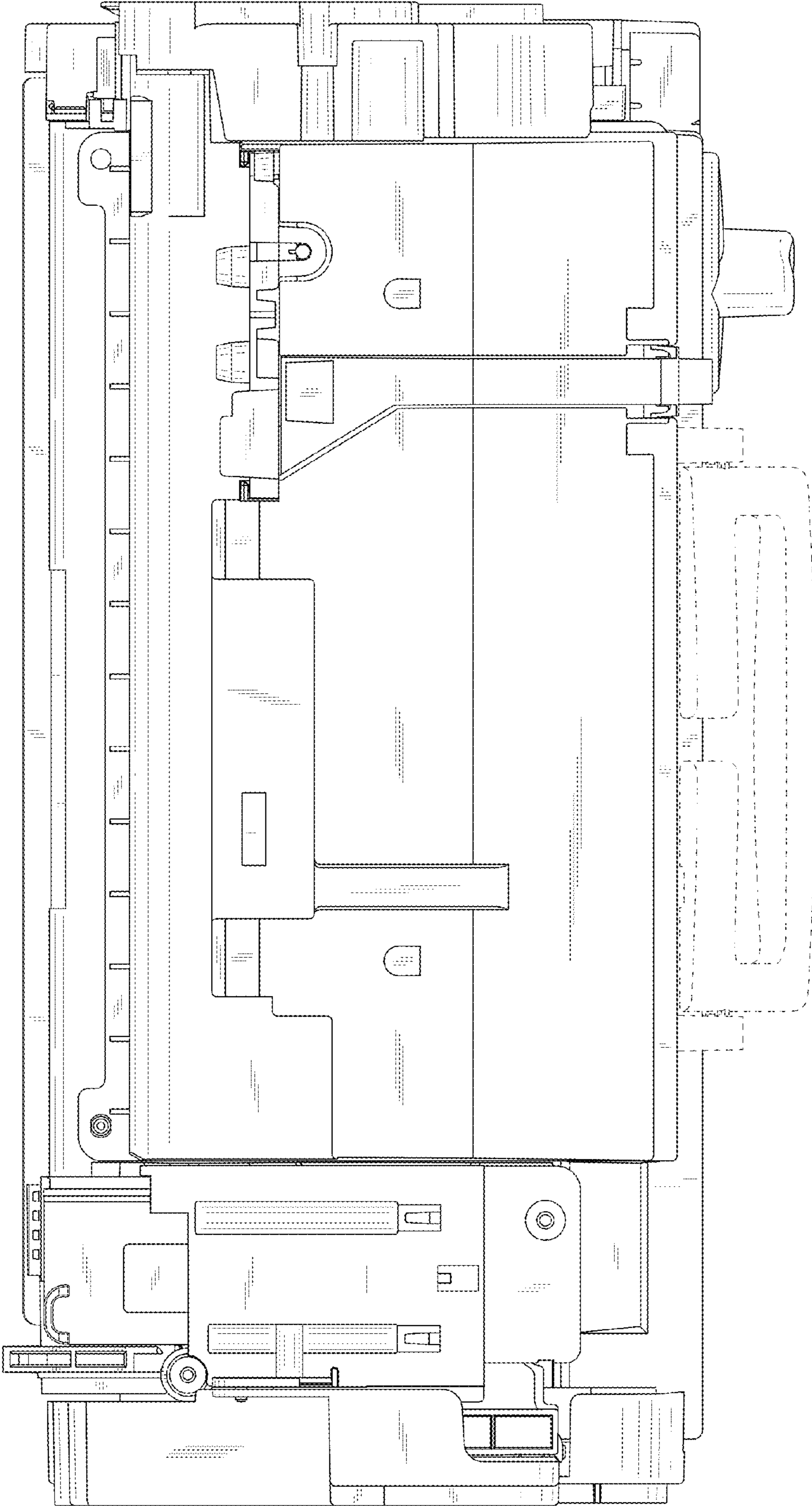


FIG.8

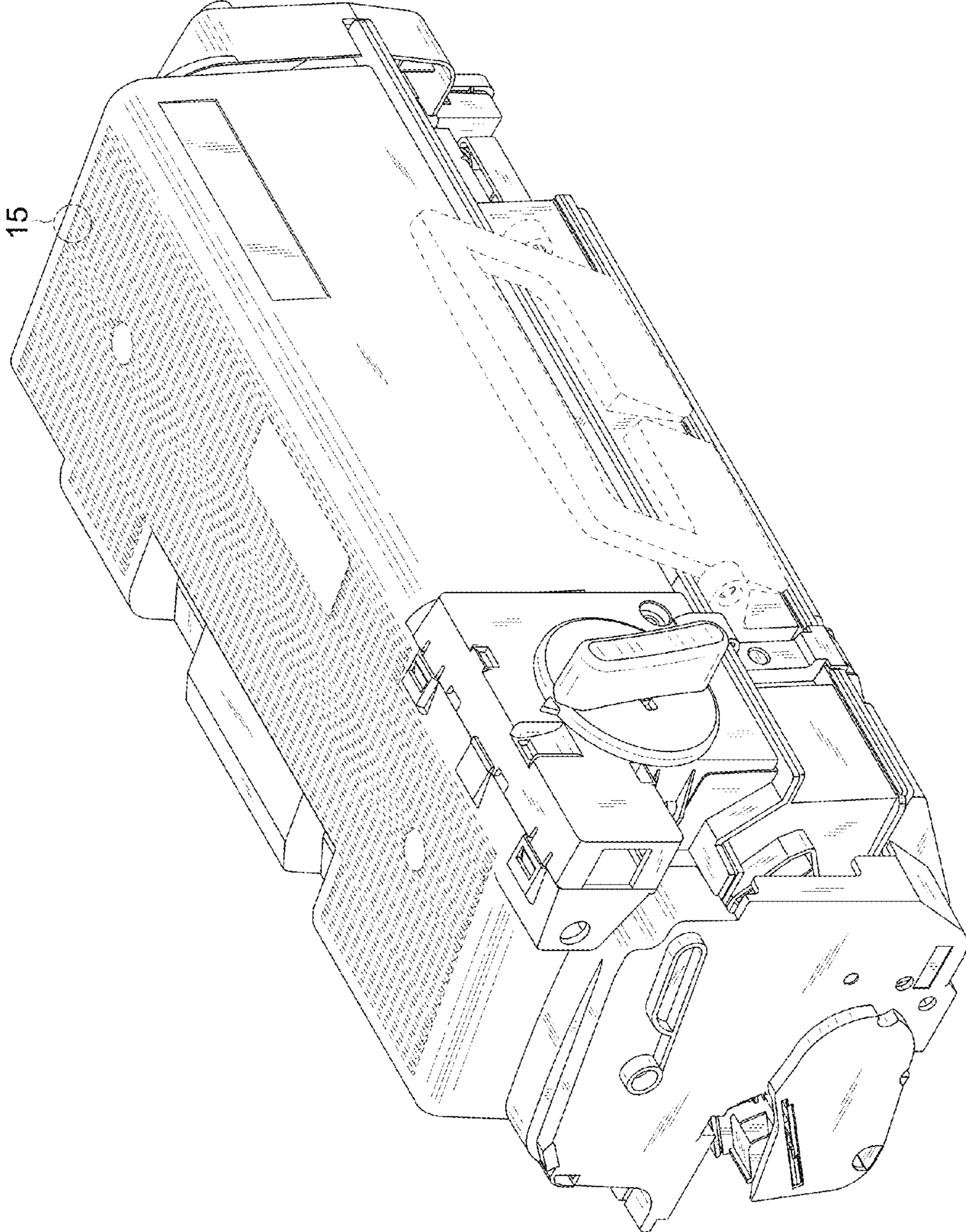


FIG.9

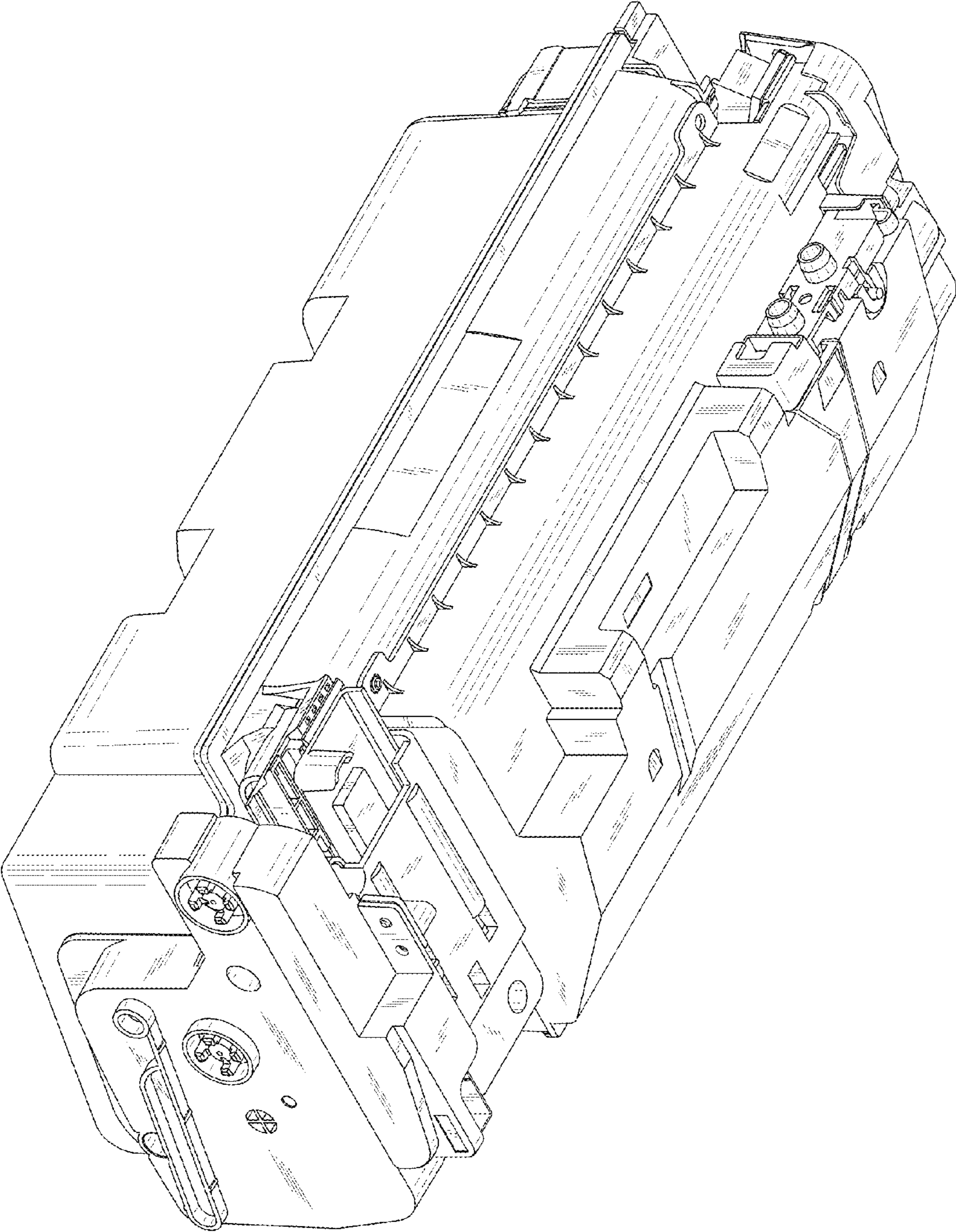


FIG.12

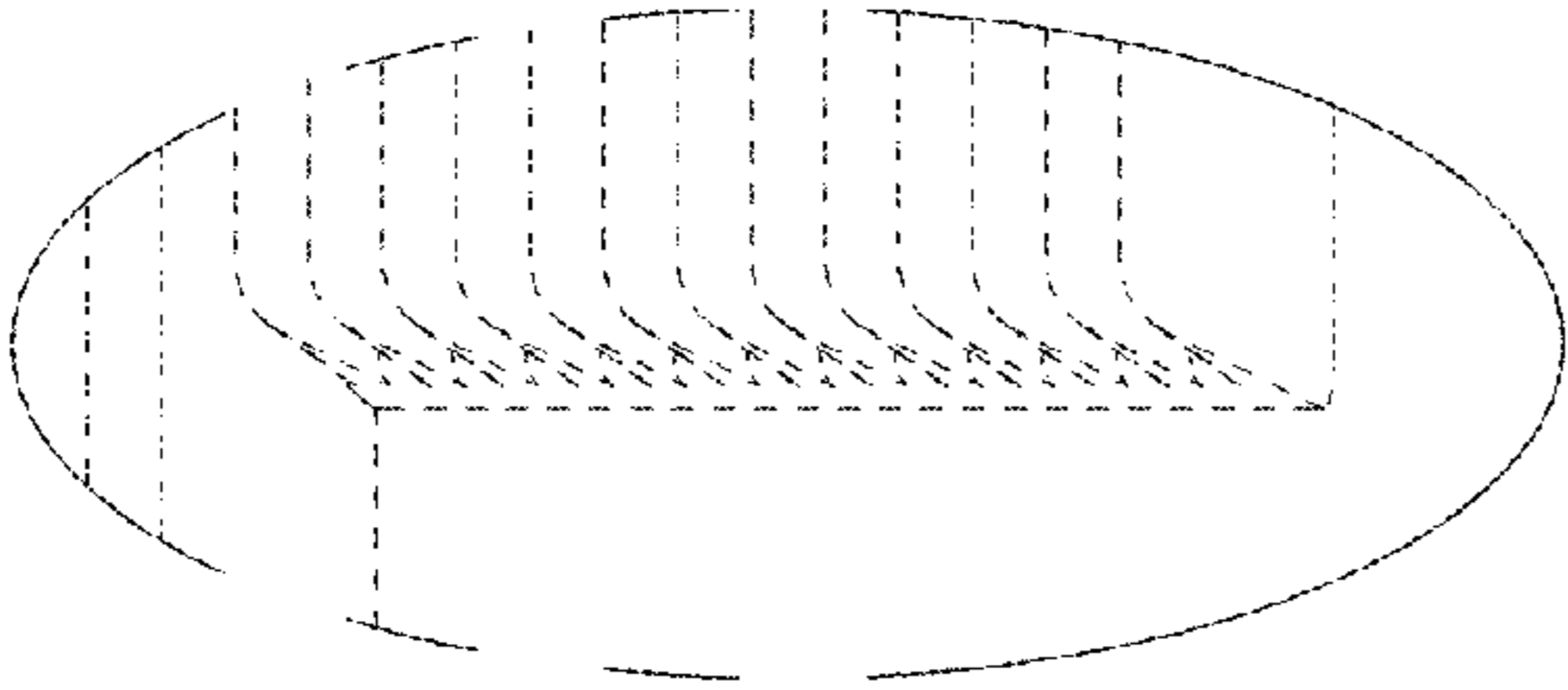


FIG.11

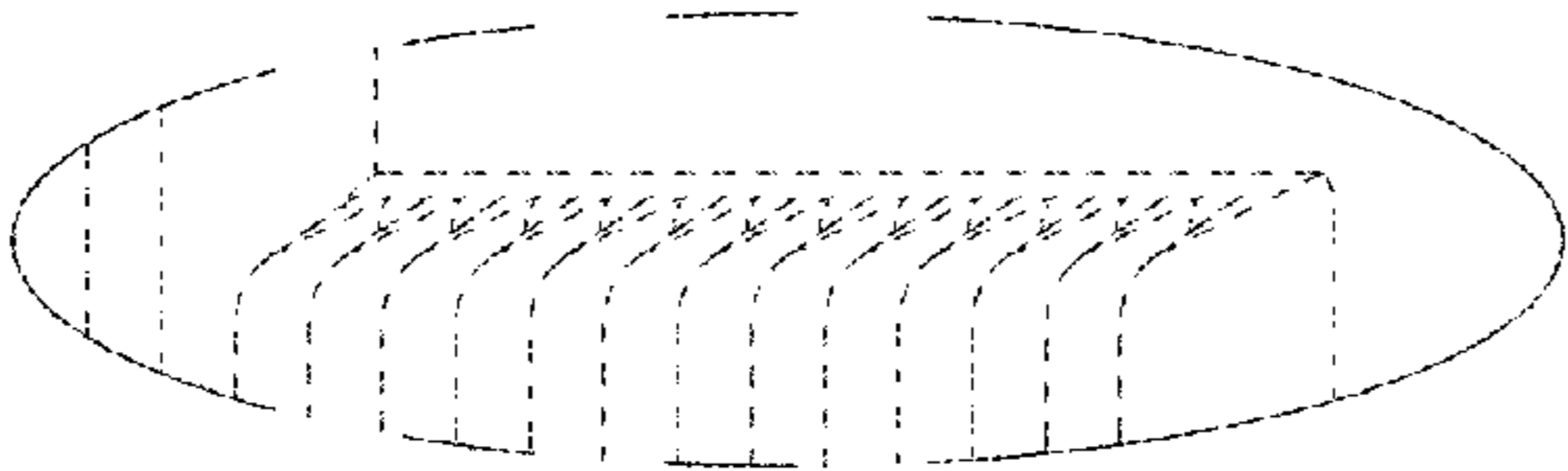


FIG.10

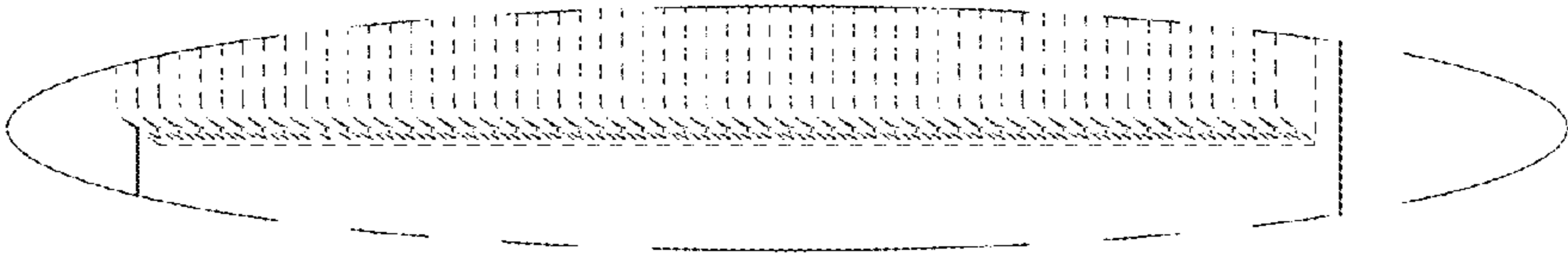


FIG.15

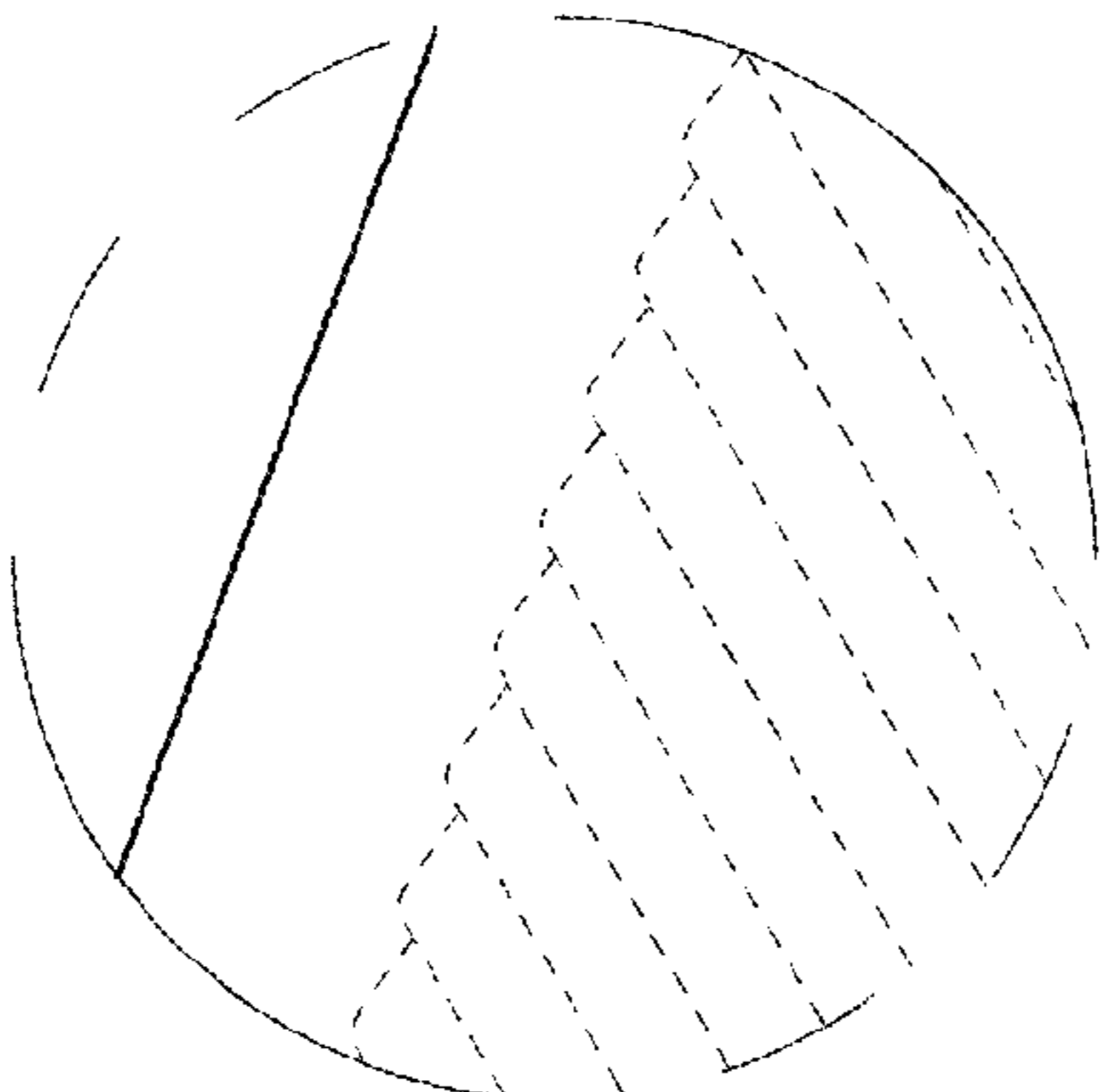


FIG.14

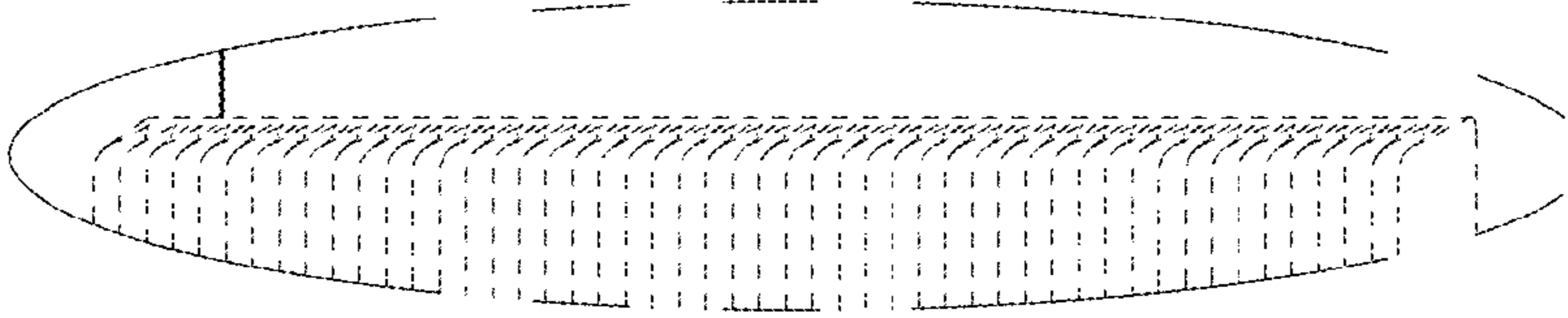


FIG.13

