



US00D755281S

(12) **United States Design Patent**
Blum et al.

(10) **Patent No.:** **US D755,281 S**
(45) **Date of Patent:** **** May 3, 2016**

- (54) **ADAPTER FOR EYEWEAR**
- (71) Applicant: **Mitsui Chemicals, Inc.**, Tokyo (JP)
- (72) Inventors: **Ronald D. Blum**, Roanoke, VA (US);
Tomer Bitton, Roanoke, VA (US)
- (73) Assignee: **Mitsui Chemicals, Inc.**, Tokyo (JP)
- (**) Term: **14 Years**
- (21) Appl. No.: **29/461,089**
- (22) Filed: **Jul. 18, 2013**

Related U.S. Application Data

- (63) Continuation of application No. 29/457,237, filed on Jun. 7, 2013.
- (51) **LOC (10) Cl.** **16-06**
- (52) **U.S. Cl.**
USPC **D16/330**; D16/309
- (58) **Field of Classification Search**
USPC D16/101, 300-342, 900; D29/109-110;
351/41, 44, 51-52, 62, 158, 92,
351/103-123, 140-153, 63, 59, 45-48;
2/426-432, 447-449, 441, 434-437,
2/440, 442, 13, 15; D21/483, 659-661;
D14/372
CPC G02C 2200/08; G02C 1/06; G02C 5/14;
G02C 5/16; G02C 11/02; G02C 11/04;
A61M 2021/0044; A63B 33/002
See application file for complete search history.

(56) **References Cited**

U.S. PATENT DOCUMENTS

3,769,663 A * 11/1973 Perl F21L 7/00
224/181

(Continued)

OTHER PUBLICATIONS

Co-pending U.S. Appl. No. 29/457,237, filed Jun. 7, 2013.

(Continued)

Primary Examiner — Raphael Barkai
(74) *Attorney, Agent, or Firm* — Sterne, Kessler, Goldstein & Fox P.L.L.C.

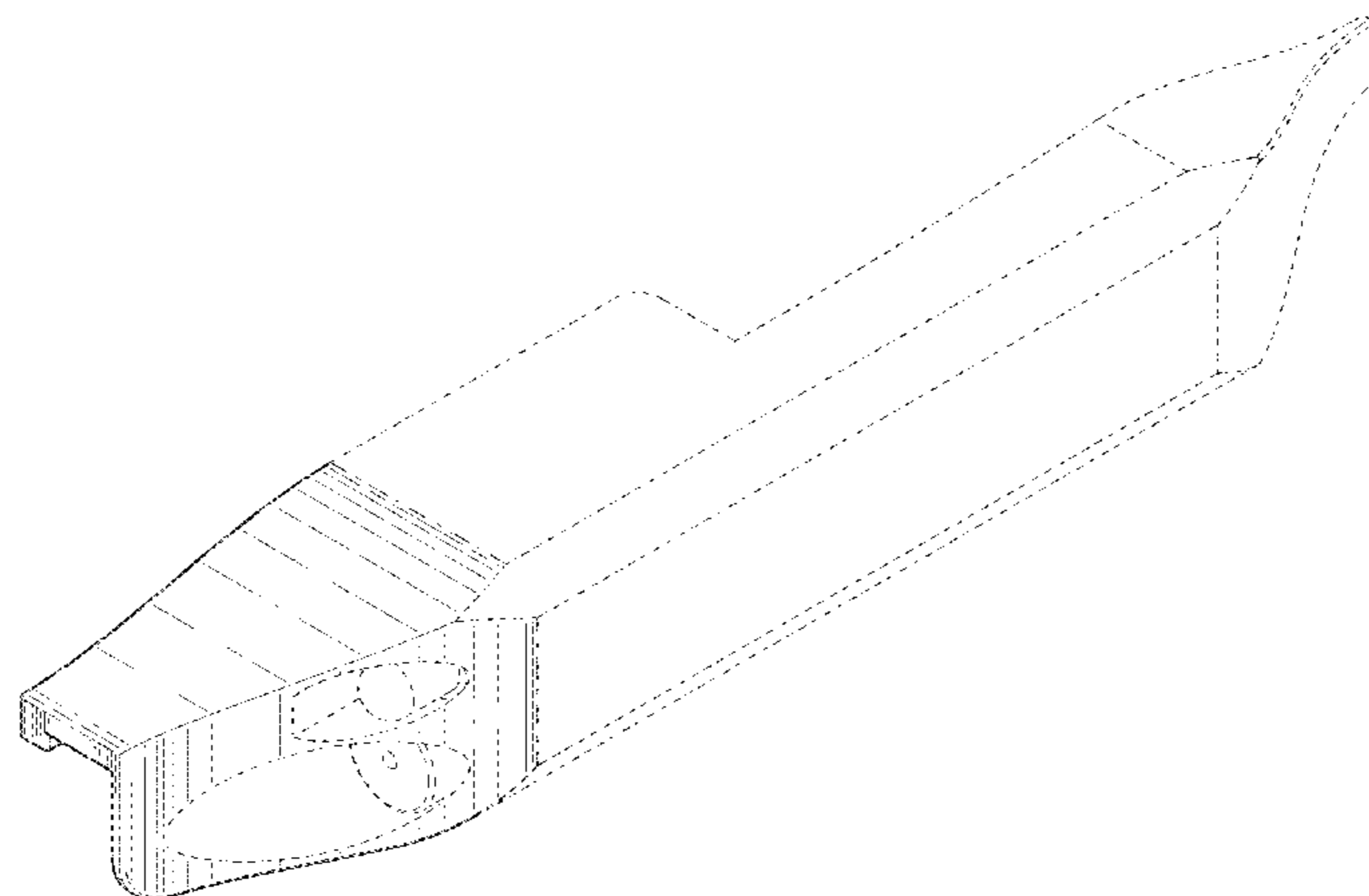
(57) **CLAIM**
The ornamental design for an adapter for eyewear, as shown and described.

DESCRIPTION

FIG. 1 is a top front perspective view of an embodiment of an adapter for eyewear showing our new design;
 FIG. 2 is a front view thereof;
 FIG. 3 is a rear view thereof;
 FIG. 4 is a left side view thereof;
 FIG. 5 is a right side view thereof;
 FIG. 6 is a top view thereof;
 FIG. 7 is a bottom view thereof;
 FIG. 8 is a top front perspective view of another embodiment of an adapter for eyewear showing our new design;
 FIG. 9 is a front view thereof;
 FIG. 10 is a rear view thereof;
 FIG. 11 is a left side view thereof;
 FIG. 12 is a right side view thereof;
 FIG. 13 is a top view thereof;
 FIG. 14 is a bottom view thereof;
 FIG. 15 is a top front perspective view of another embodiment of an adapter for eyewear showing our new design;
 FIG. 16 is a front view thereof;
 FIG. 17 is a rear view thereof;
 FIG. 18 is a left side view thereof;
 FIG. 19 is a right side view thereof;
 FIG. 20 is a top view thereof;
 FIG. 21 is a bottom view thereof;
 FIG. 22 is a top front perspective view of another embodiment of an adapter for eyewear showing our new design;
 FIG. 23 is a front view thereof;
 FIG. 24 is a rear view thereof;
 FIG. 25 is a left side view thereof;
 FIG. 26 is a right side view thereof;
 FIG. 27 is a top view thereof; and,
 FIG. 28 is a bottom view thereof.

The dashed broken lines in the Figures show portions of the adapter for eyewear that form no part of the claimed design. The dot-dash lines show unclaimed boundaries that form no part of the claimed design.

1 Claim, 16 Drawing Sheets



(56)

References Cited

U.S. PATENT DOCUMENTS

4,959,760 A * 9/1990 Wu F21L 14/00
362/105
5,946,071 A * 8/1999 Feldman G02C 11/04
351/158
6,553,680 B2 * 4/2003 Vazdi A61B 5/107
33/286
D484,905 S * 1/2004 Waters D16/309
7,231,038 B2 6/2007 Warren
7,562,979 B2 7/2009 Waters
7,699,486 B1 * 4/2010 Beiner G02C 11/04
351/158
D628,617 S * 12/2010 Waters D16/309
8,010,156 B2 8/2011 Warren
8,152,330 B2 * 4/2012 Waters F21V 21/084
351/158
D682,343 S * 5/2013 Waters D16/309
8,434,863 B2 5/2013 Howell et al.

8,444,266 B2 * 5/2013 Waters G02C 5/146
351/158
8,491,118 B2 * 7/2013 Waters G02C 11/04
351/158
8,777,406 B2 * 7/2014 Sugihara G02B 27/0176
351/158
8,787,970 B2 * 7/2014 Warren 351/158
8,979,295 B2 * 3/2015 Waters G02C 11/04
351/158
2003/0189824 A1 * 10/2003 Meeder G02C 11/04
362/105
2008/0143954 A1 6/2008 Abreu
2008/0207275 A1 8/2008 Lin et al.
2011/0213664 A1 9/2011 Osterhout et al.

OTHER PUBLICATIONS

Co-pending U.S. Appl. No. 29/461,088, filed Jul. 18, 2013.
Co-pending U.S. Appl. No. 13/913,009, filed Jun. 7, 2013.

* cited by examiner

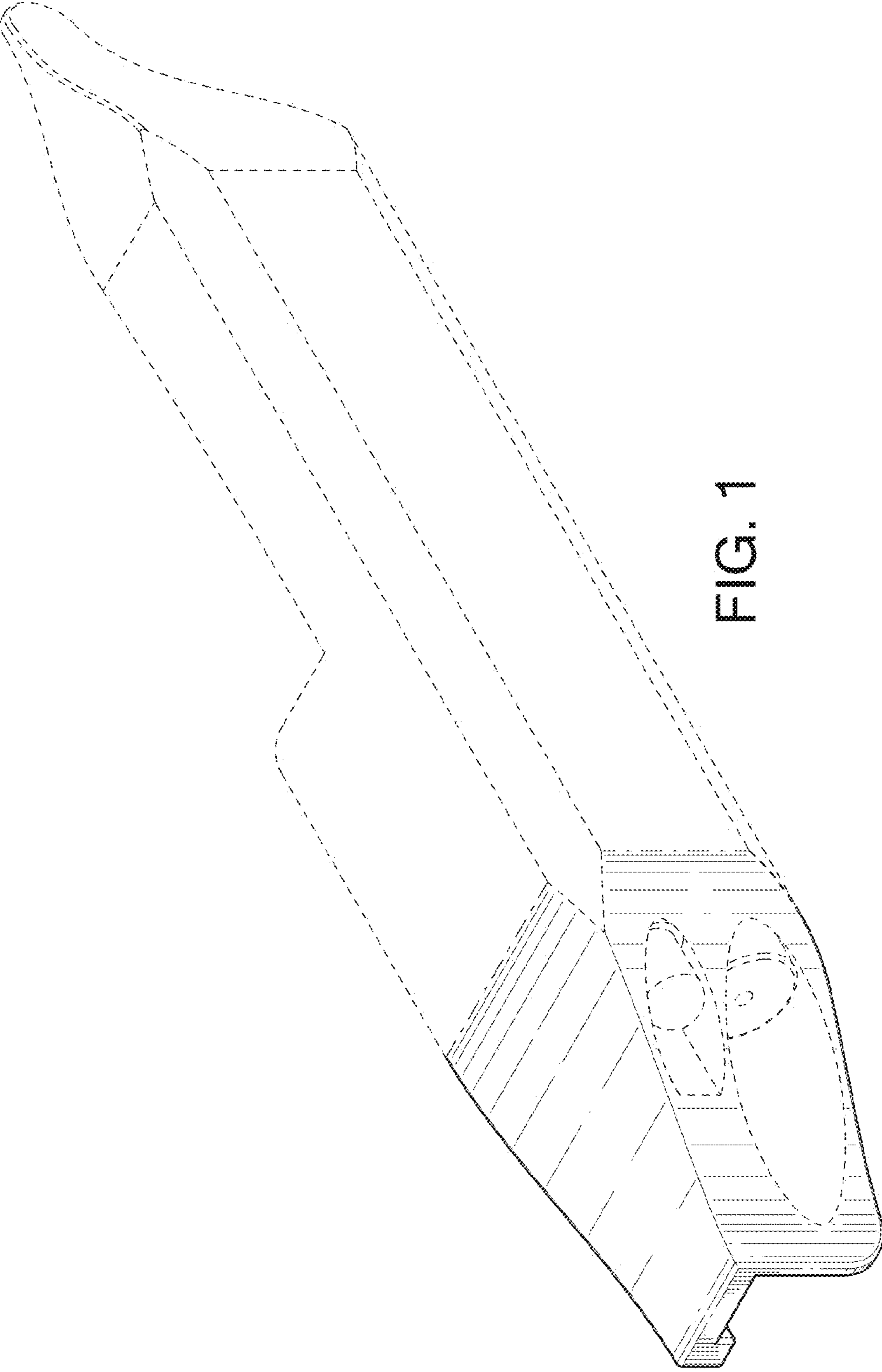


FIG. 1

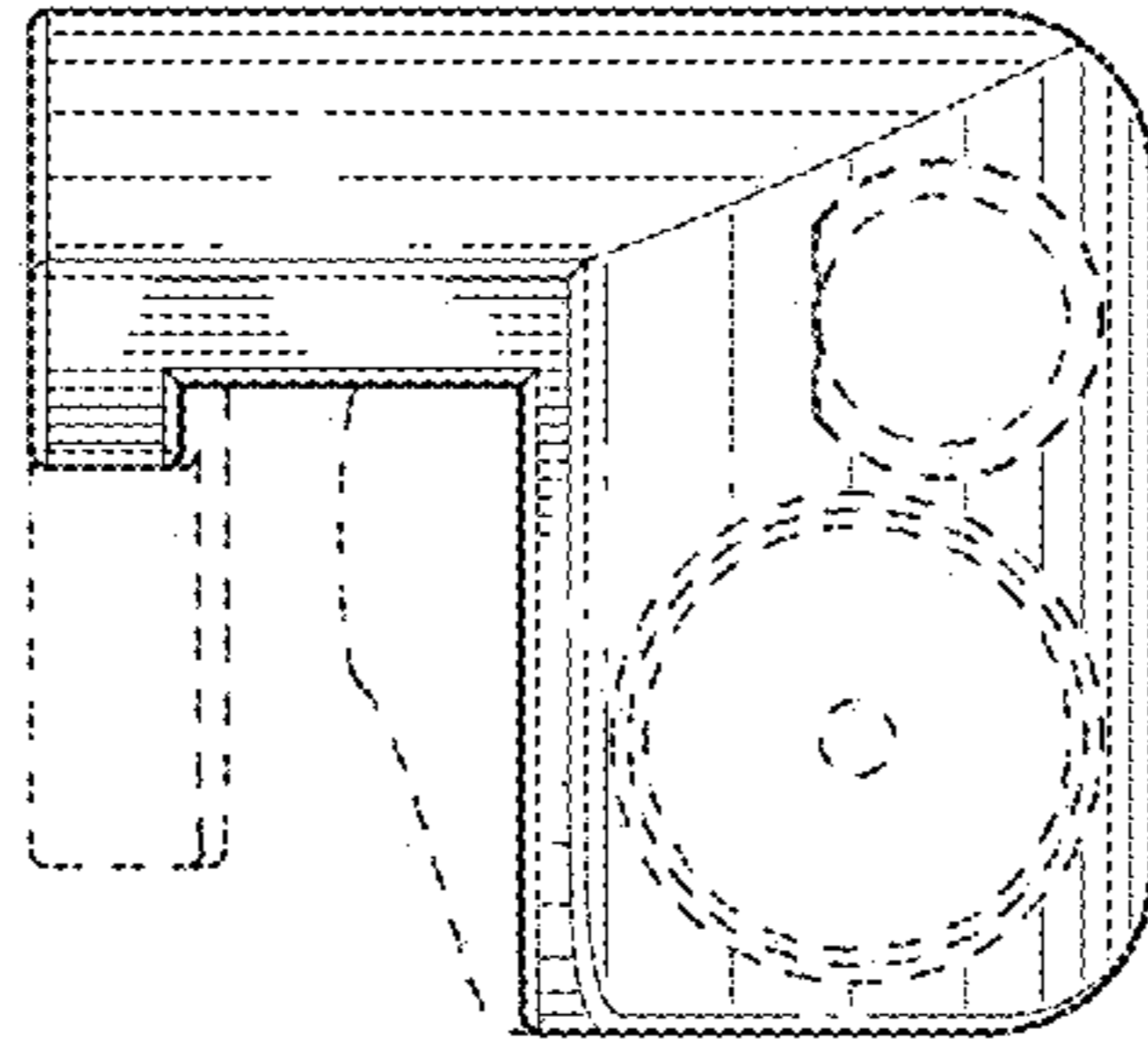


FIG. 2

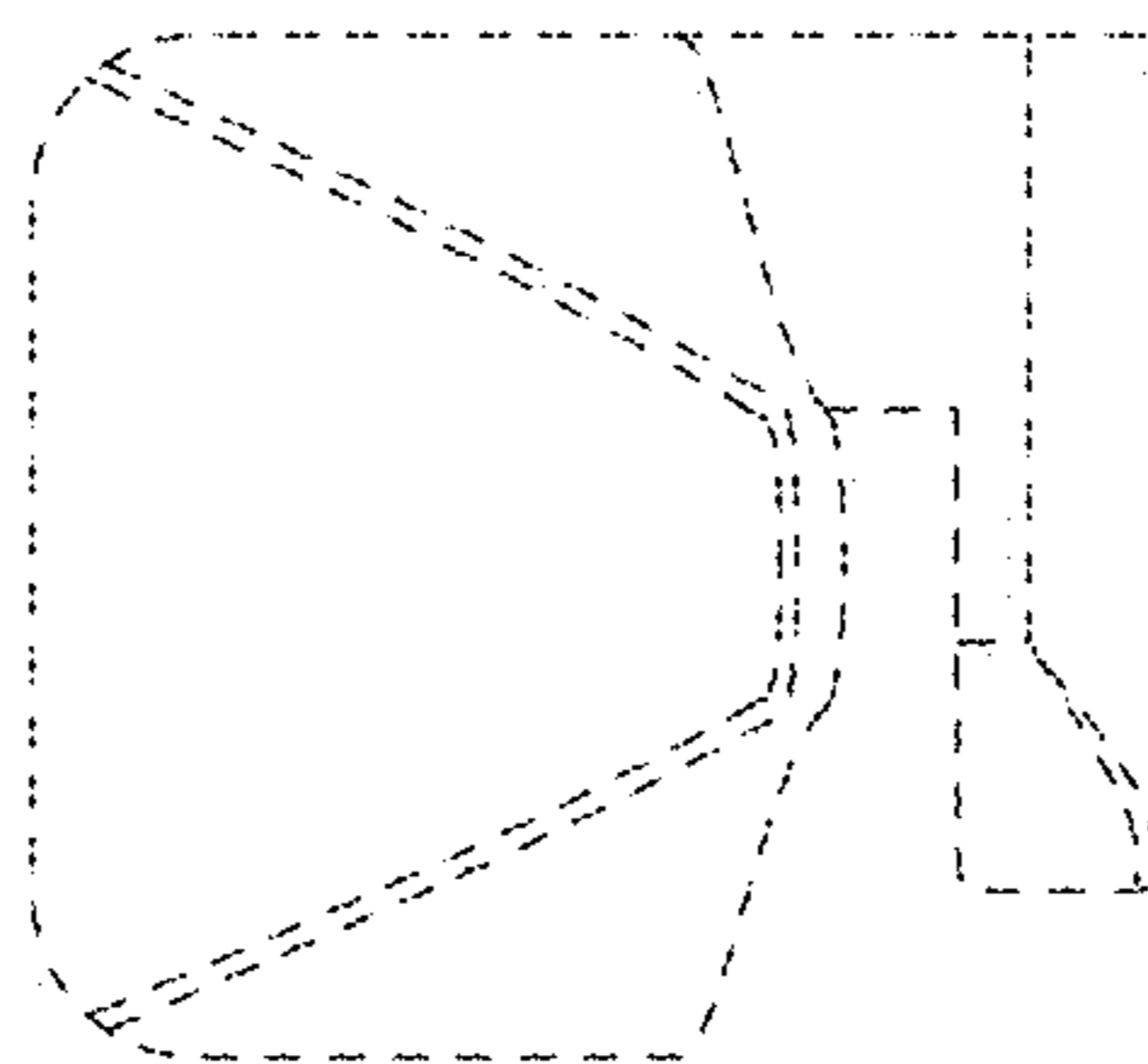


FIG. 3

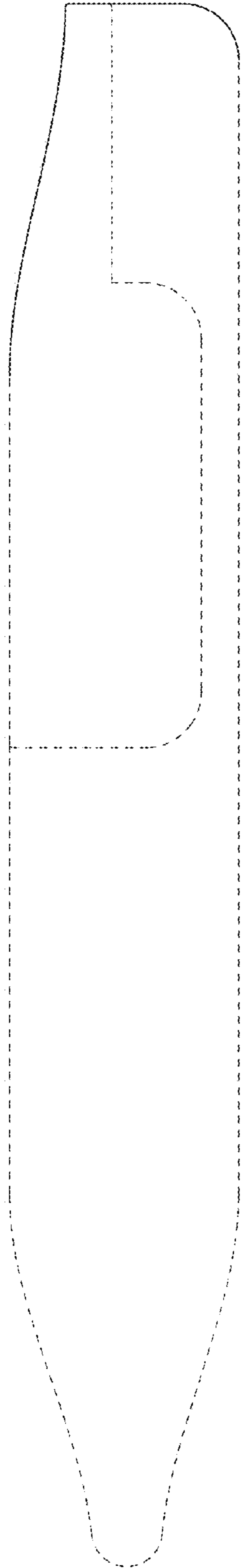


FIG. 4



FIG. 5

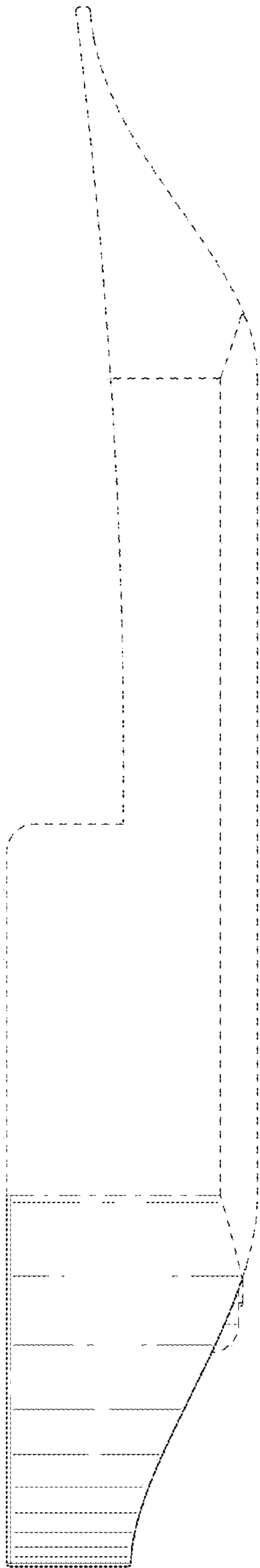


FIG. 6

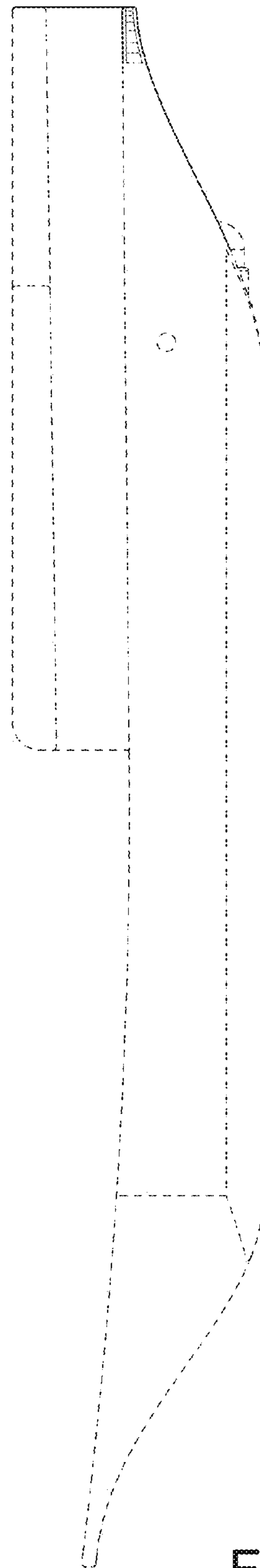


FIG. 7

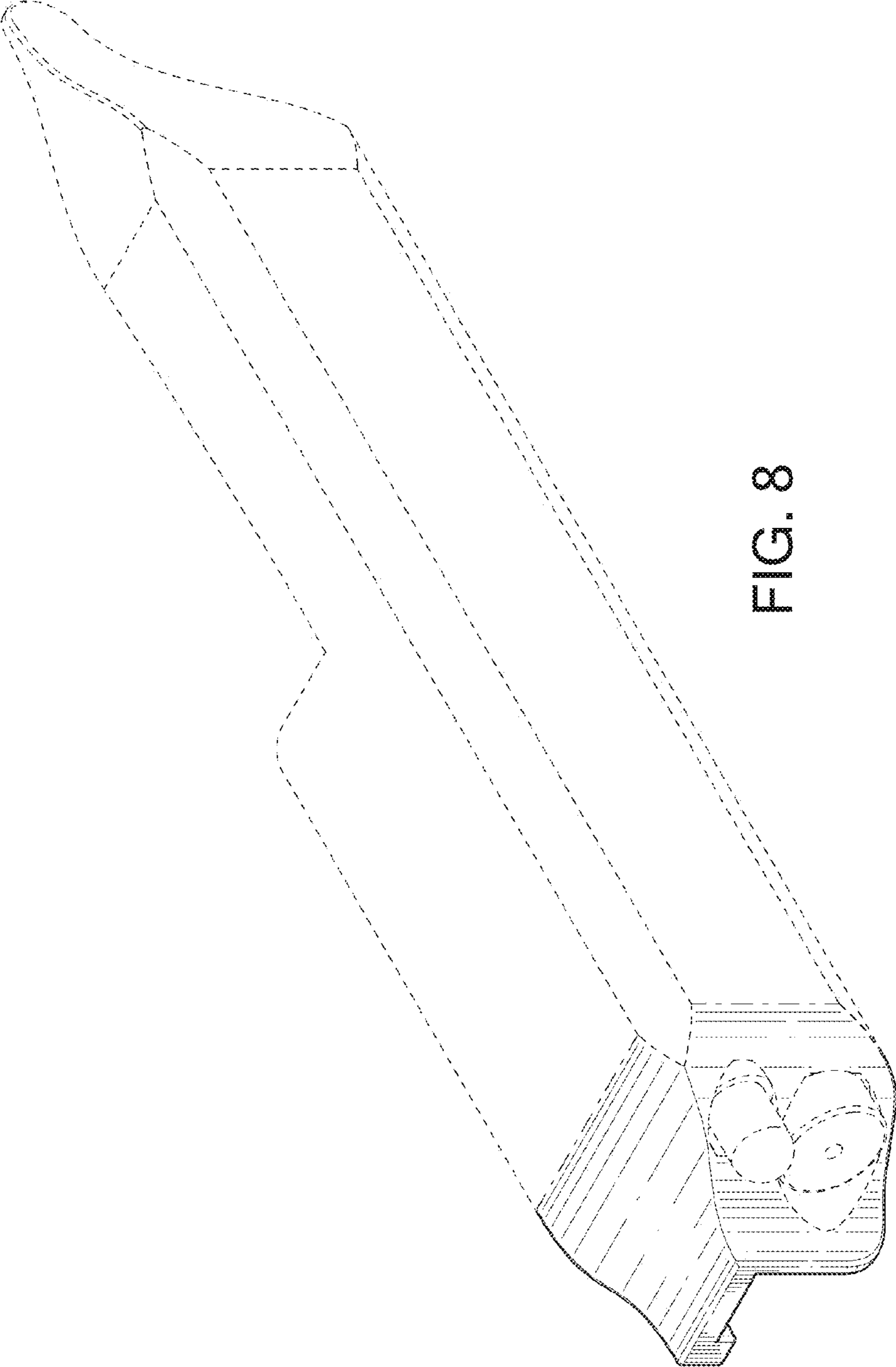


FIG. 8

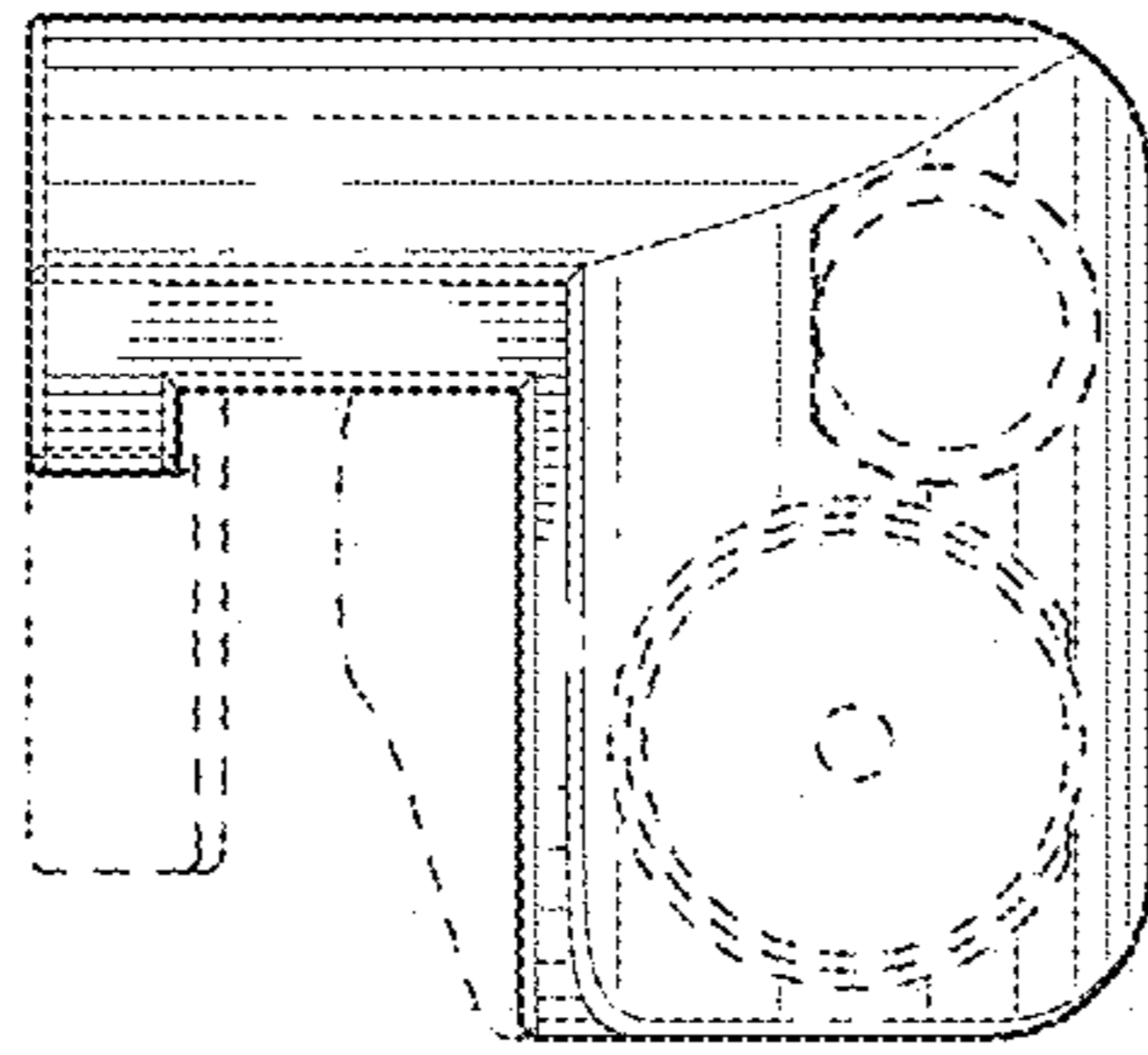


FIG. 9

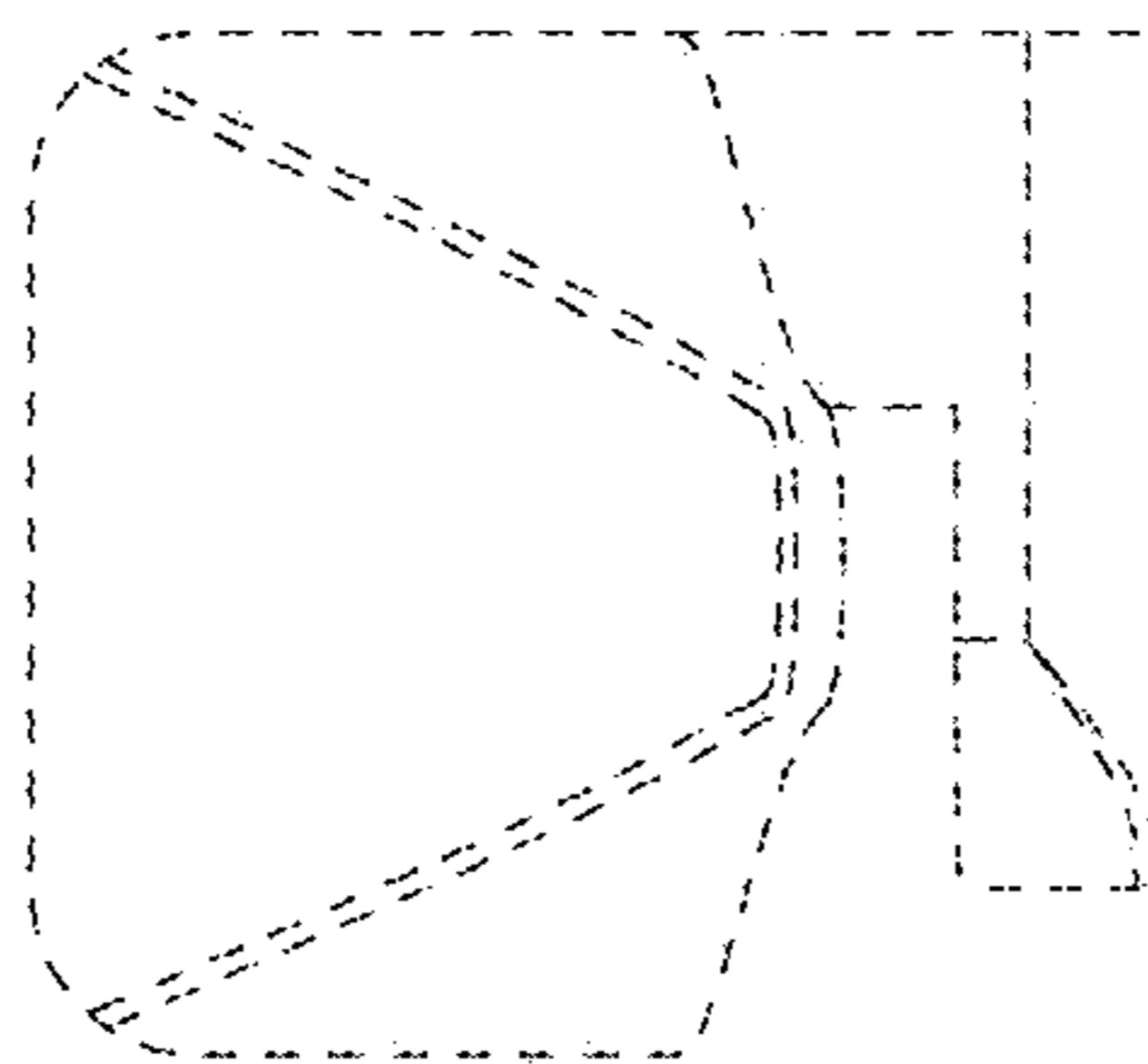


FIG. 10

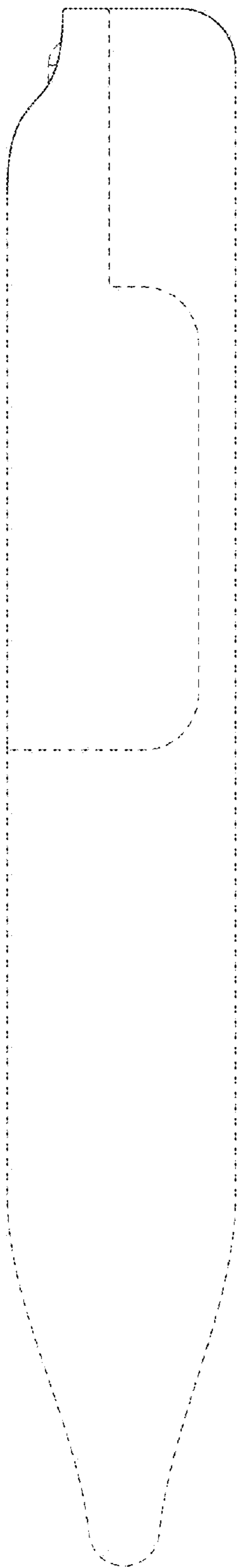


FIG. 11

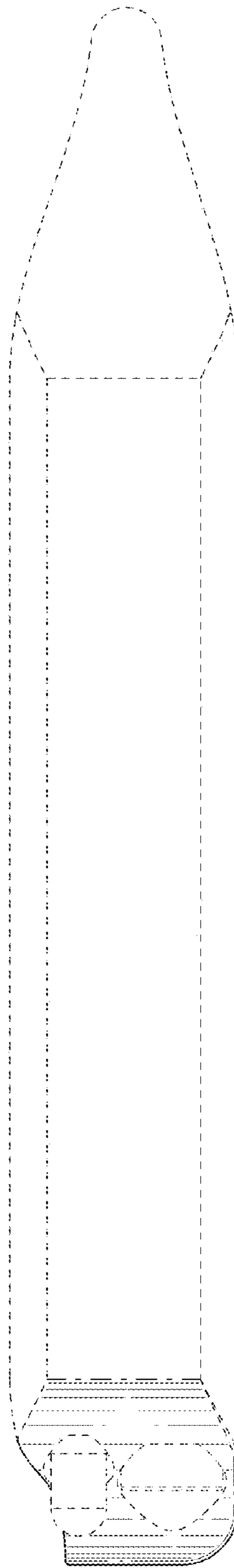


FIG. 12

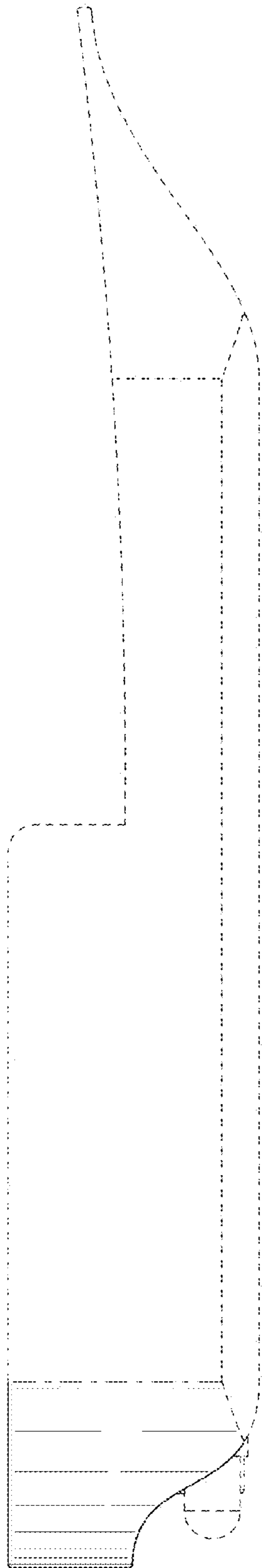


FIG. 13

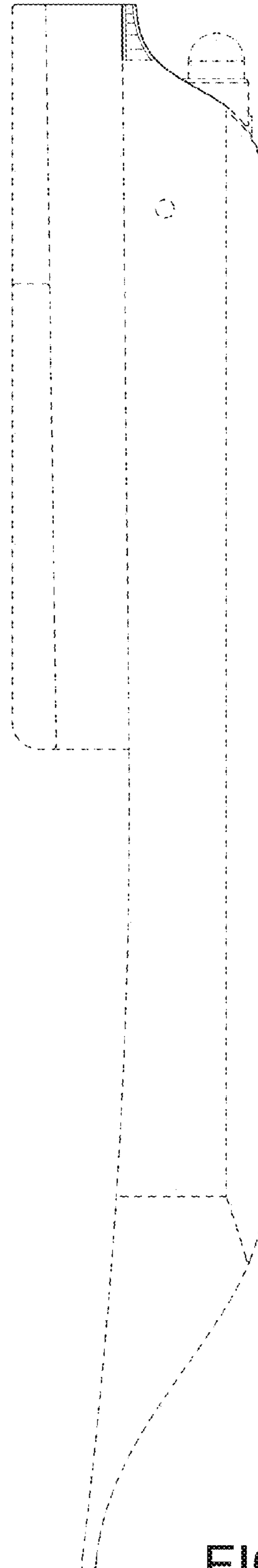


FIG. 14

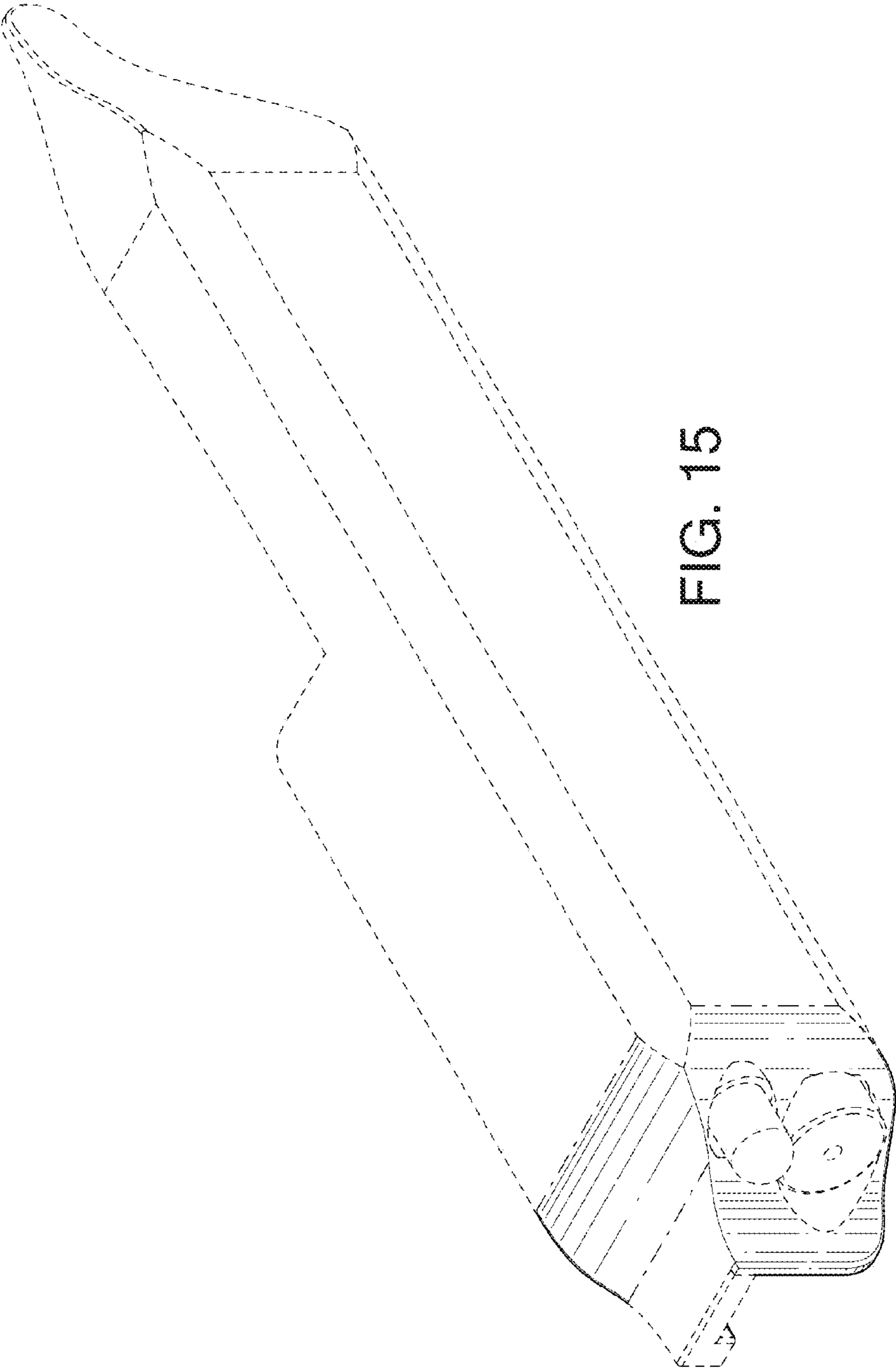


FIG. 15

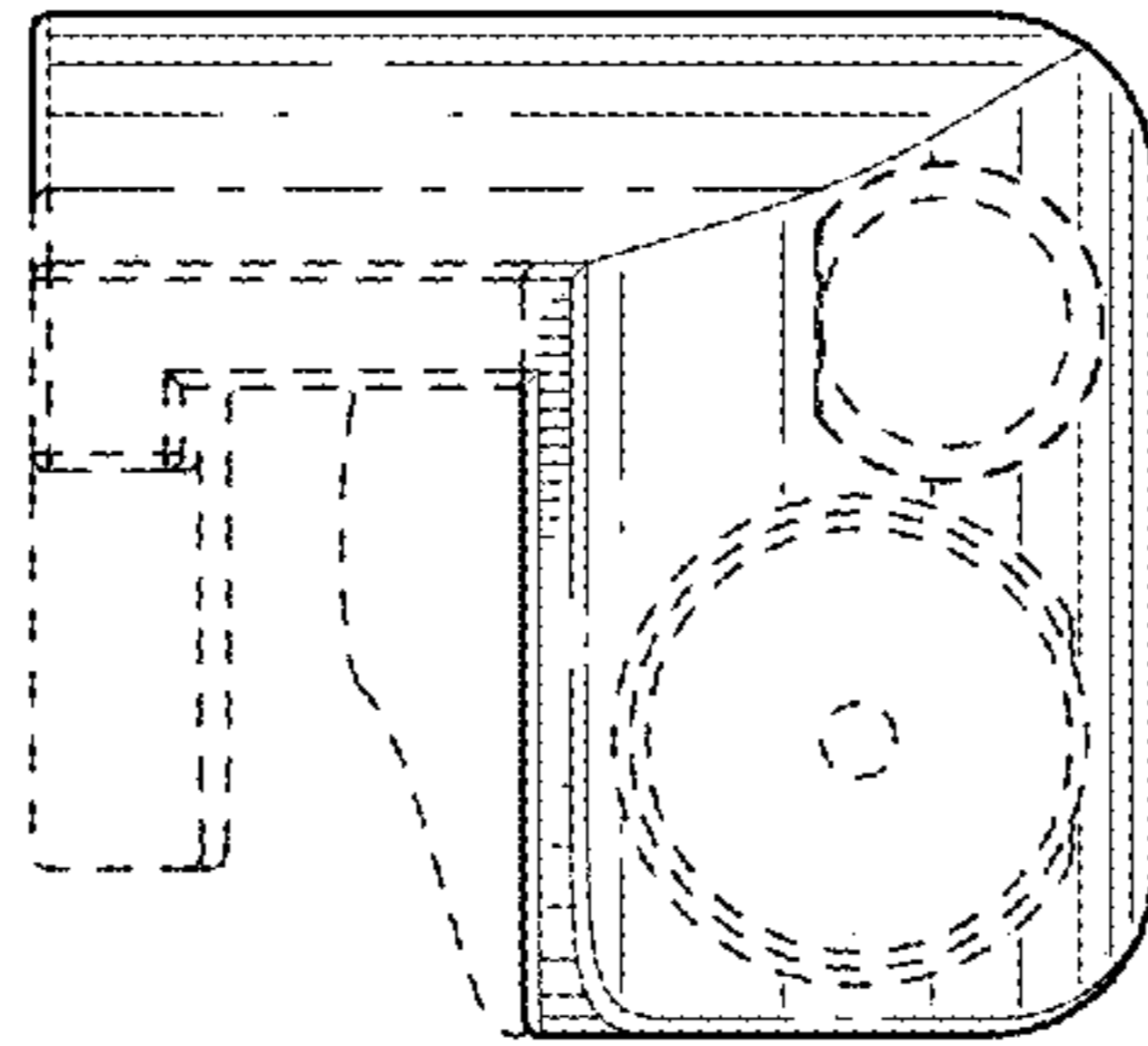


FIG. 16

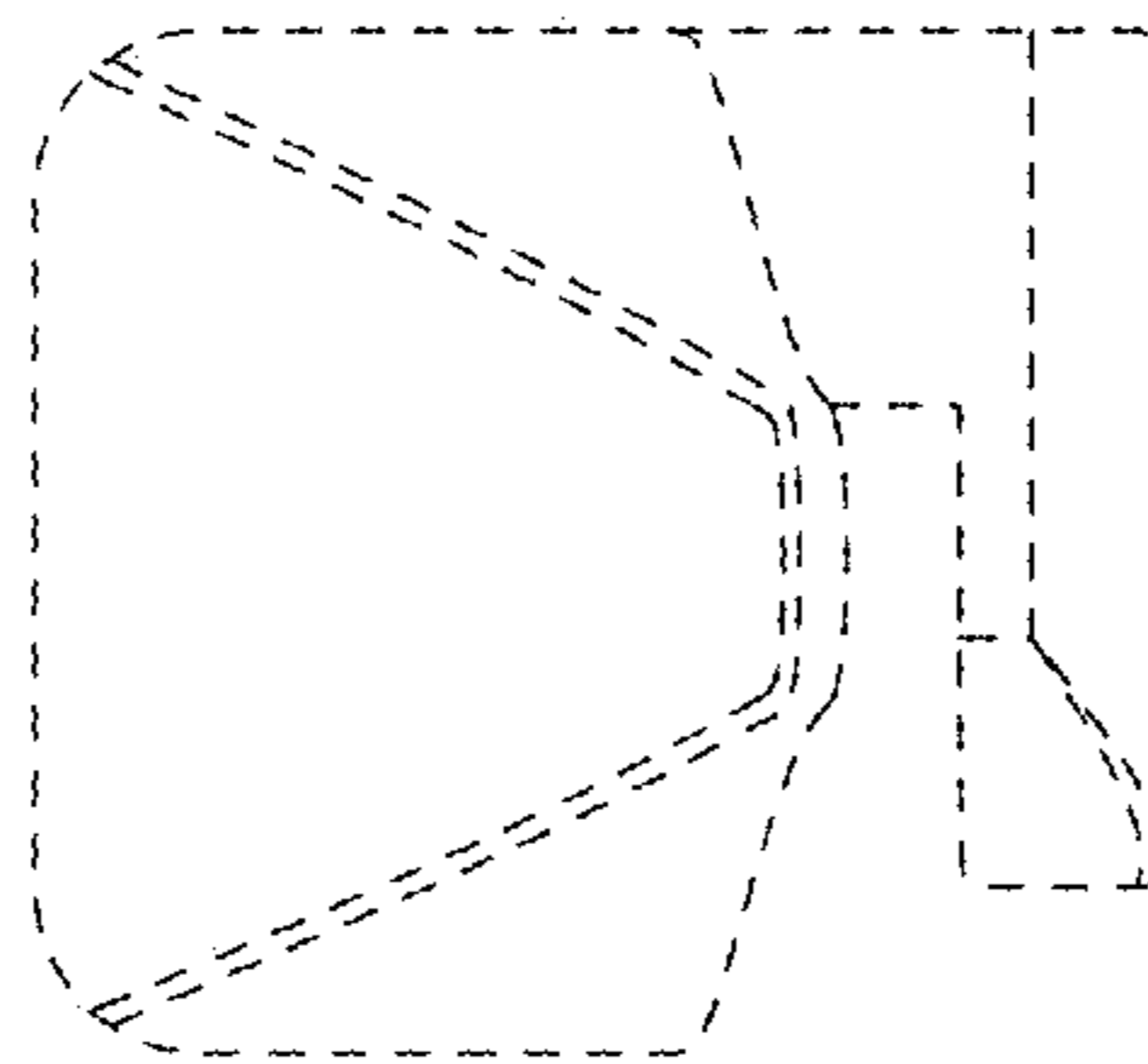


FIG. 17

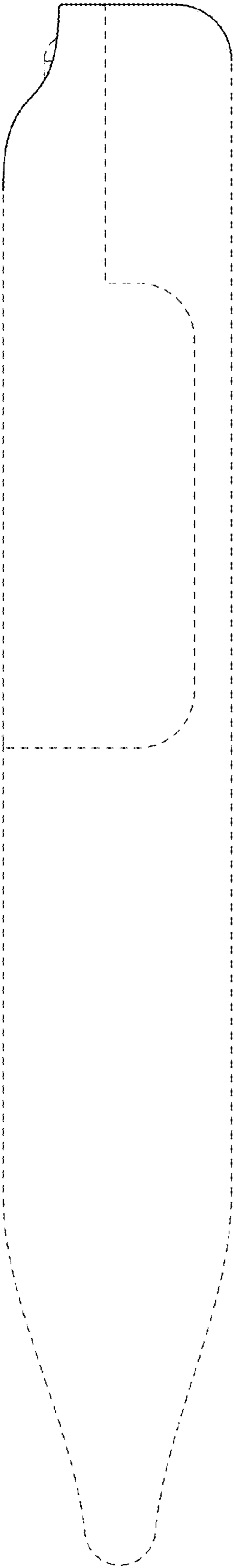


FIG. 18

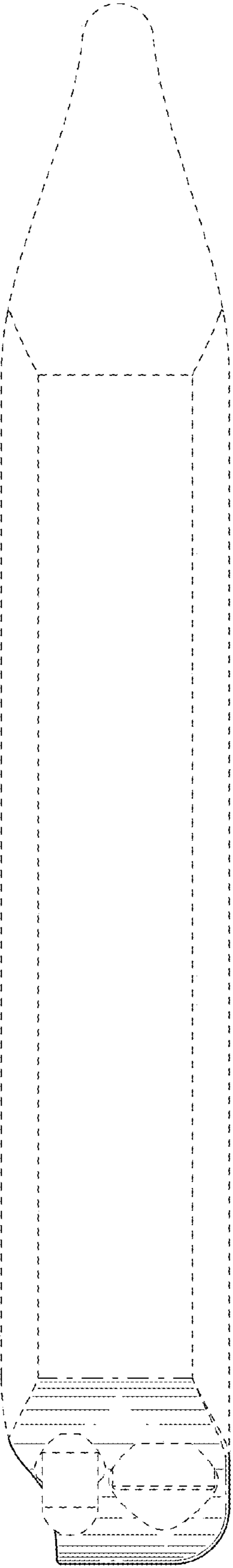


FIG. 19

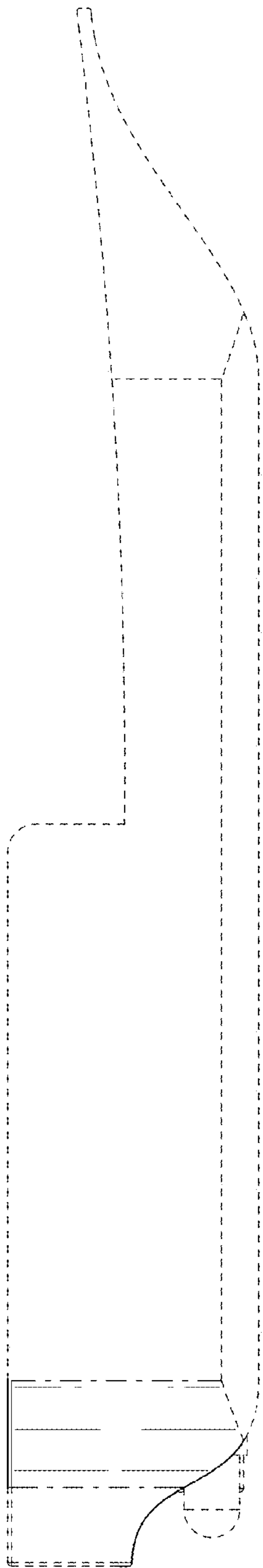


FIG. 20

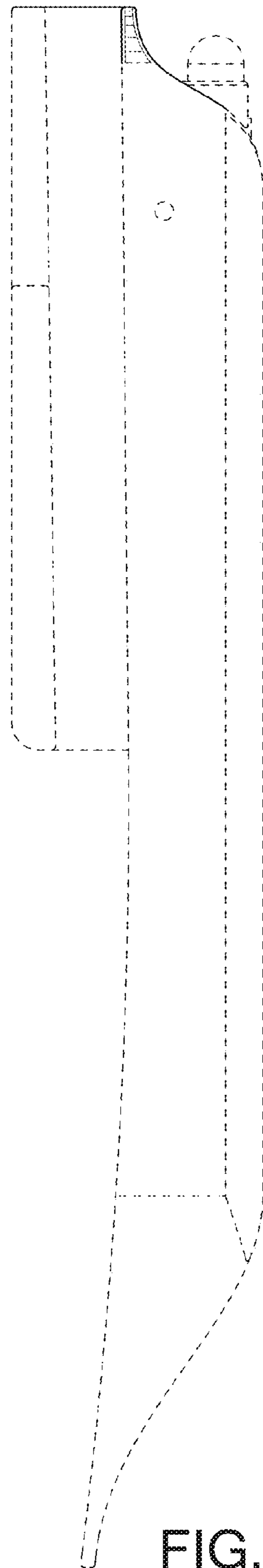


FIG. 21

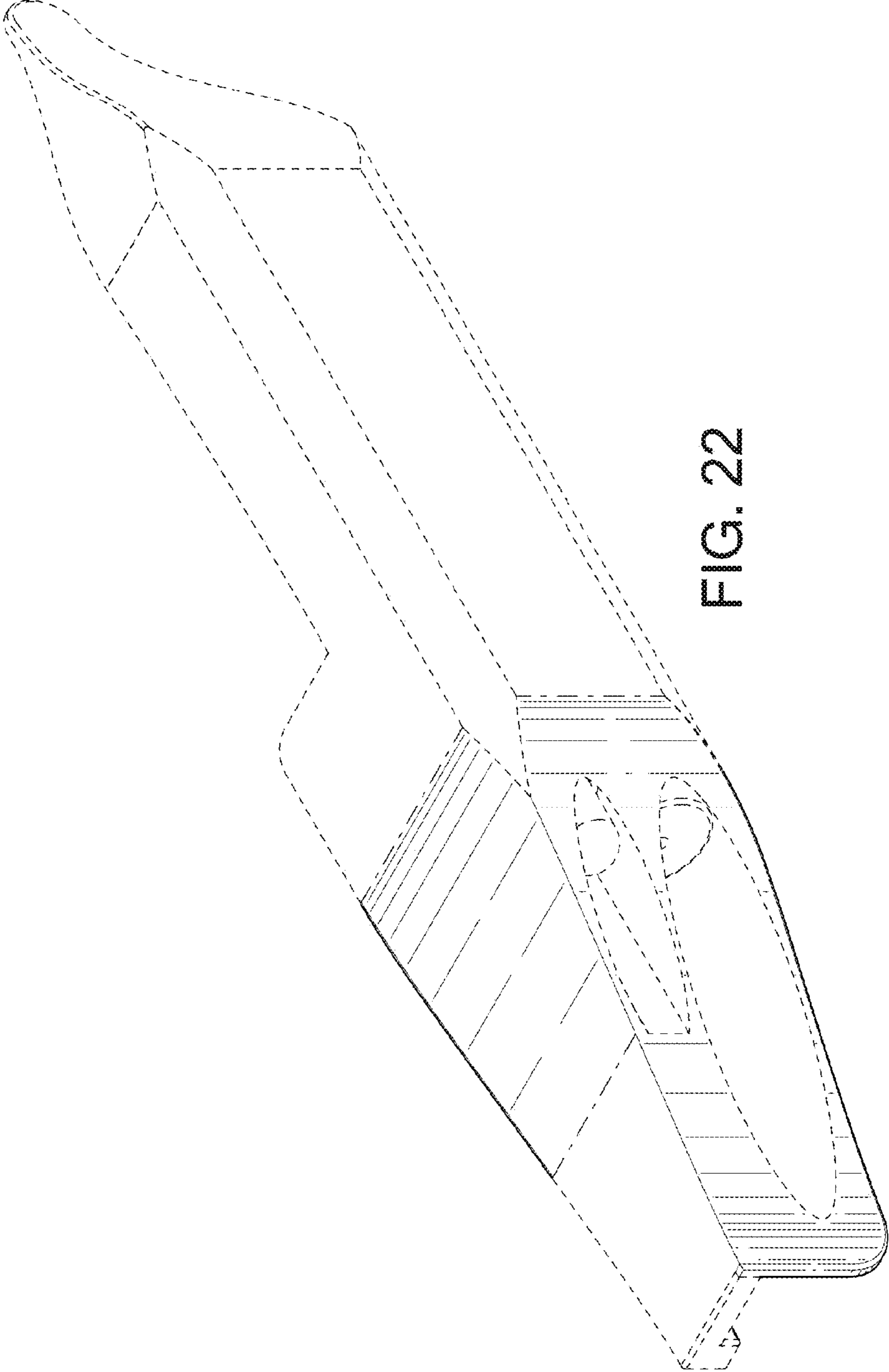


FIG. 22

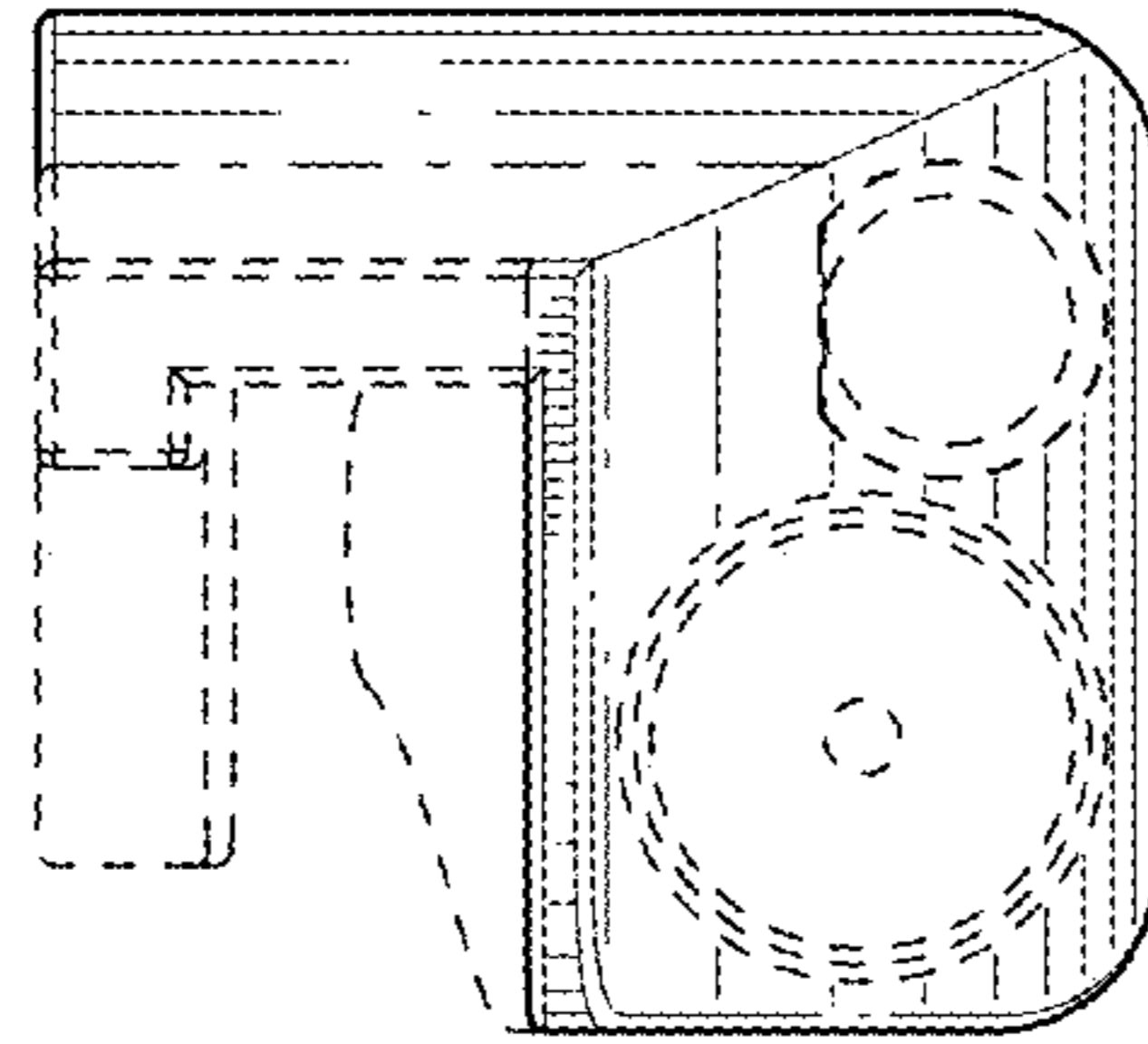


FIG. 23

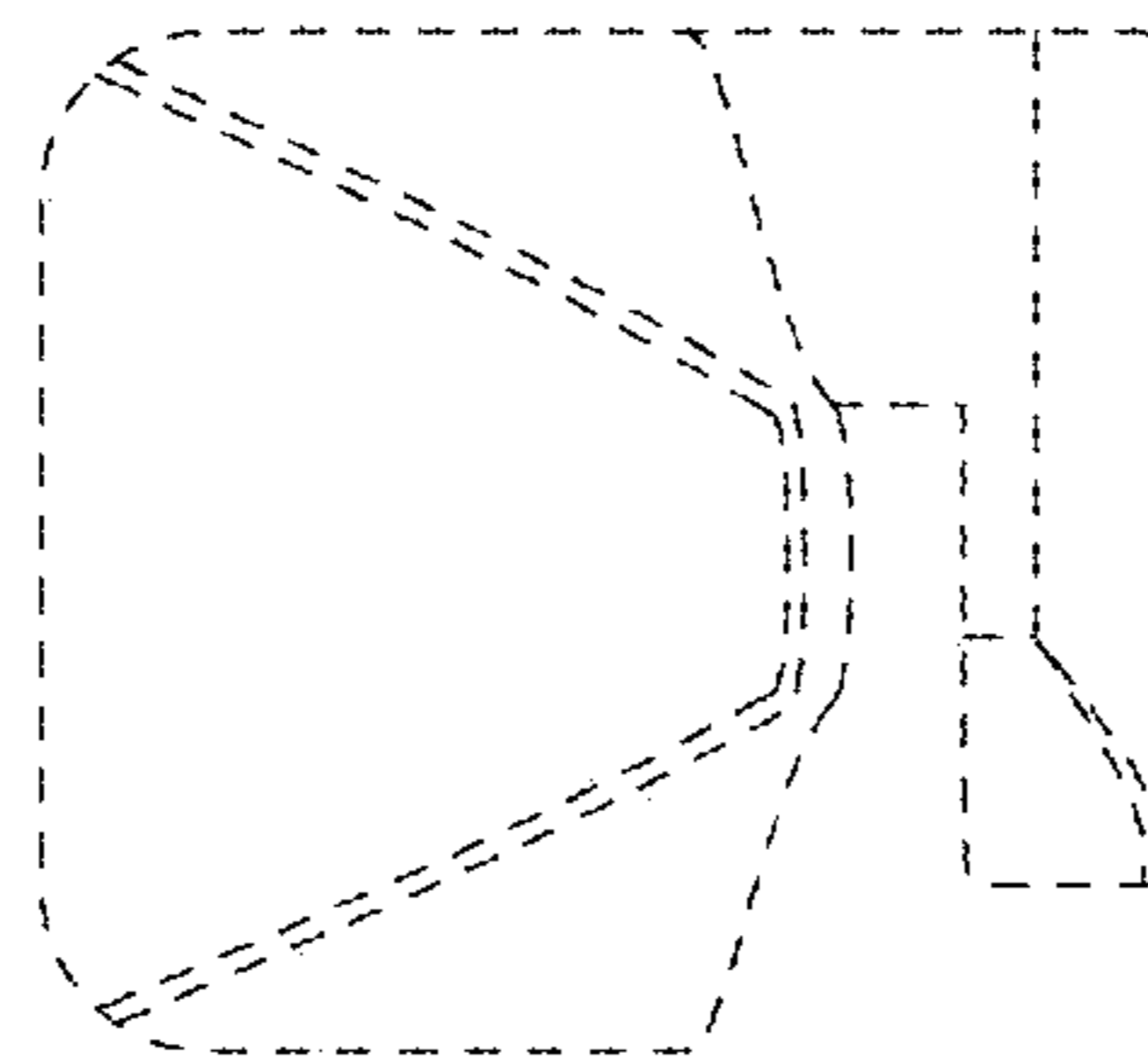


FIG. 24

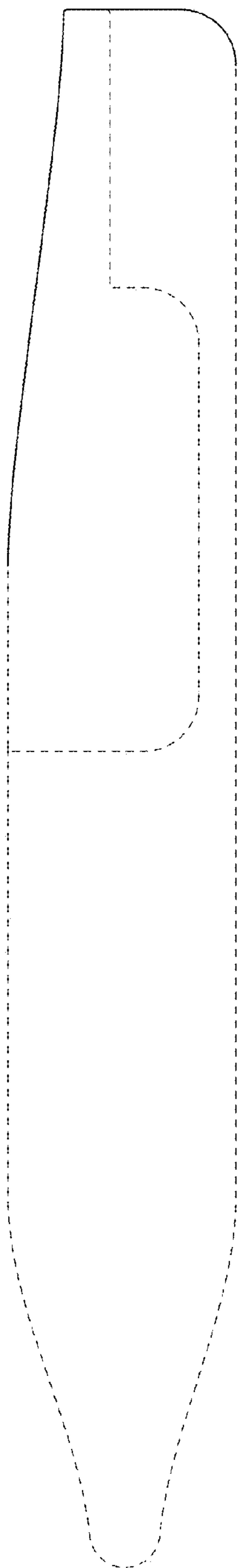


FIG. 25

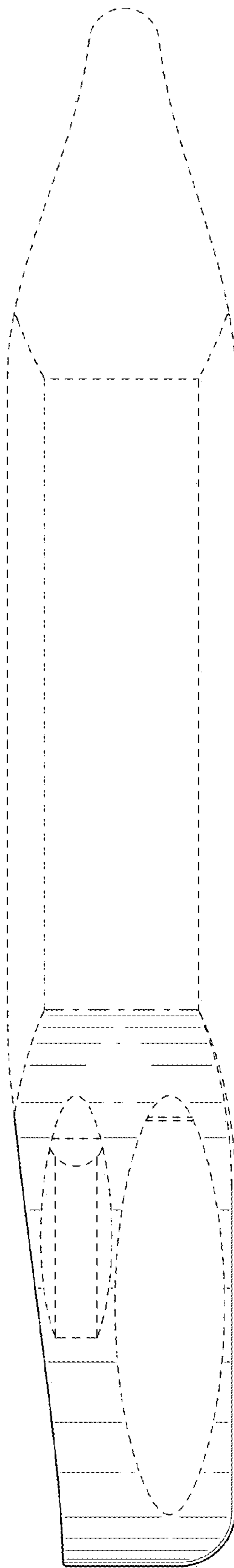


FIG. 26

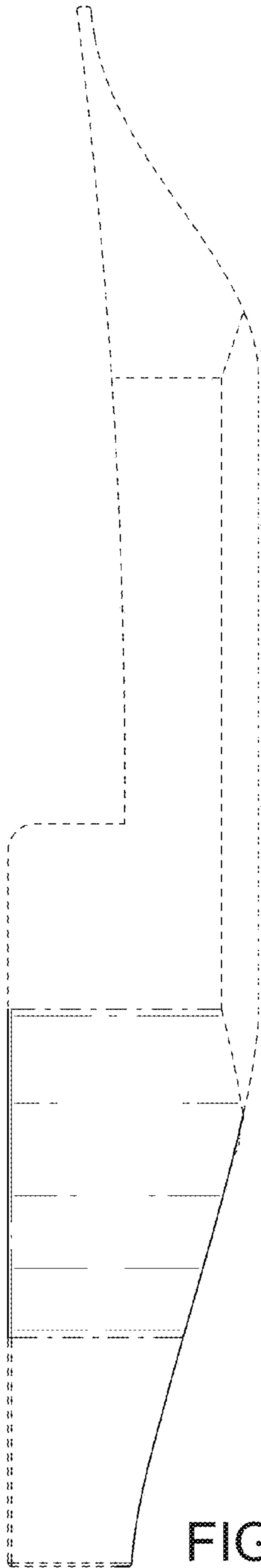


FIG. 27

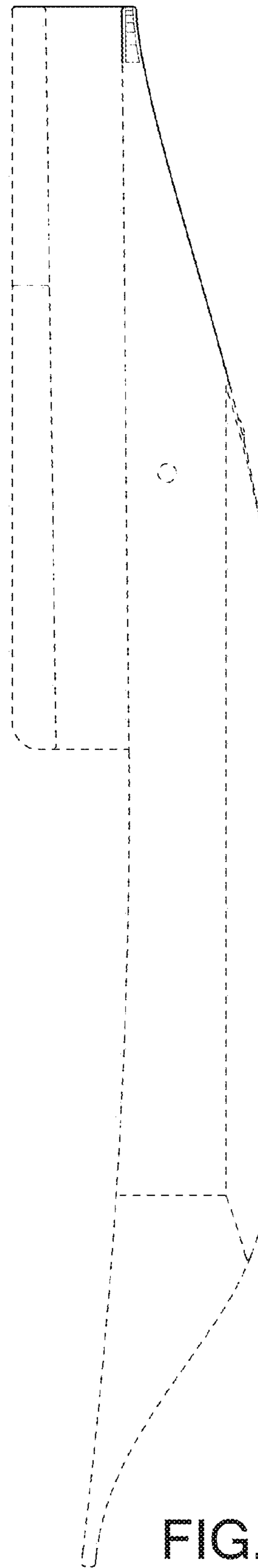


FIG. 28