



US00D755278S

(12) **United States Design Patent**
Blanchard et al.

(10) **Patent No.:** **US D755,278 S**

(45) **Date of Patent:** **** May 3, 2016**

(54) **CANISTERS FOR A ROLL OFF FILM SYSTEM**

(71) Applicant: **100% SPEEDLAB, LLC**, San Diego, CA (US)

(72) Inventors: **Marc Guy Blanchard**, San Diego, CA (US); **Ludovic Francis Boinnard**, San Diego, CA (US); **Kevin Michael Sigismondo**, San Diego, CA (US)

(73) Assignee: **100% SPEEDLAB, LLC.**, San Diego, CA (US)

(**) Term: **14 Years**

(21) Appl. No.: **29/490,763**

(22) Filed: **May 13, 2014**

(51) **LOC (10) Cl.** **16-06**

(52) **U.S. Cl.**
USPC **D16/311**

(58) **Field of Classification Search**
USPC D14/481, 483, 484; D16/208, 237, 238, D16/242, 246, 250, 311, 312, 330, 335, 336, D16/340; 2/438; 351/41, 47, 158; 352/34; 396/6, 511, 512, 514
See application file for complete search history.

(56) **References Cited**

U.S. PATENT DOCUMENTS

D330,549	S	*	10/1992	Takahashi	D14/481
D342,673	S	*	12/1993	Kataoka et al.	D14/481
5,918,080	A	*	6/1999	Yoshida	396/207
6,415,452	B1	*	7/2002	Watanabe et al.	2/438
6,416,177	B1	*	7/2002	Gibson	351/41
D530,334	S	*	10/2006	Wexler	D14/481
D687,480	S	*	8/2013	Castro	D16/312

D691,652	S	*	10/2013	Castro et al.	D16/311
8,782,820	B2	*	7/2014	Park	2/438
2002/0006286	A1	*	1/2002	White et al.	396/512
2003/0099474	A1	*	5/2003	Takatori	396/513
2013/0104299	A1	*	5/2013	Chen	2/431

FOREIGN PATENT DOCUMENTS

EM	002282764-002	*	8/2013
GB	1014592	*	6/2010

* cited by examiner

Primary Examiner — Susan Bennett Hattan

Assistant Examiner — Leanne Was

(74) *Attorney, Agent, or Firm* — Haynes and Boone, LLP

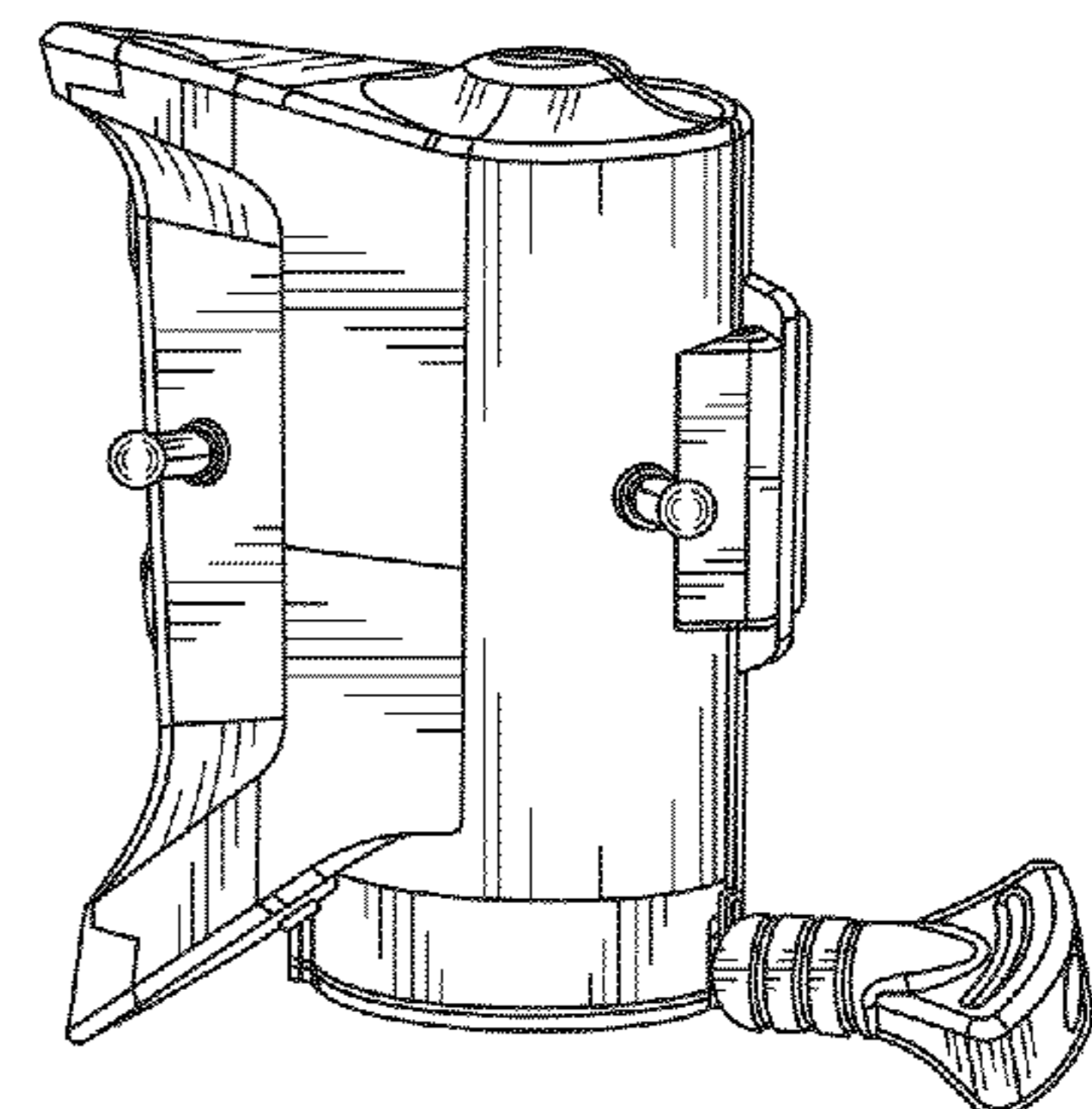
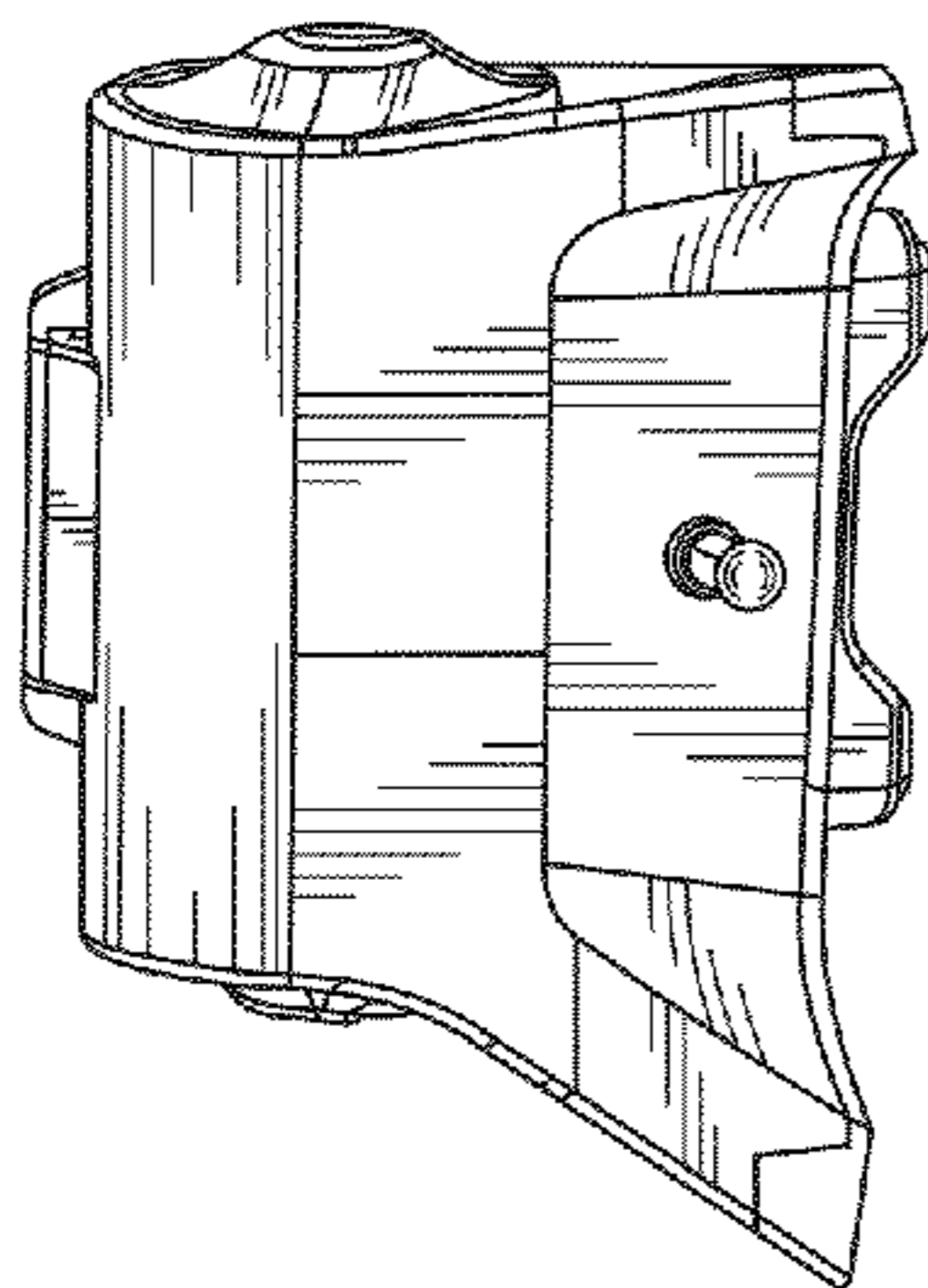
(57) **CLAIM**

The ornamental design for canisters for a roll off film system, as shown and described.

DESCRIPTION

FIG. 1 is a front perspective view of canisters for a roll off film system showing our new design; FIG. 2 is a rear perspective view thereof; FIG. 3 is a rear side elevational view thereof; FIG. 4 is a front side elevational view thereof; FIG. 5 is a top plan view thereof; FIG. 6 is a bottom plan view thereof; FIG. 7 is a right side elevational view thereof; and FIG. 8 is a left side elevational view thereof; FIG. 9 is a front perspective view of the canisters for a roll off film system attached to a goggle assembly; and, FIG. 10 is a rear perspective view thereof. The broken lines in the drawings illustrate environmental features and form no part of the claimed design.

1 Claim, 9 Drawing Sheets



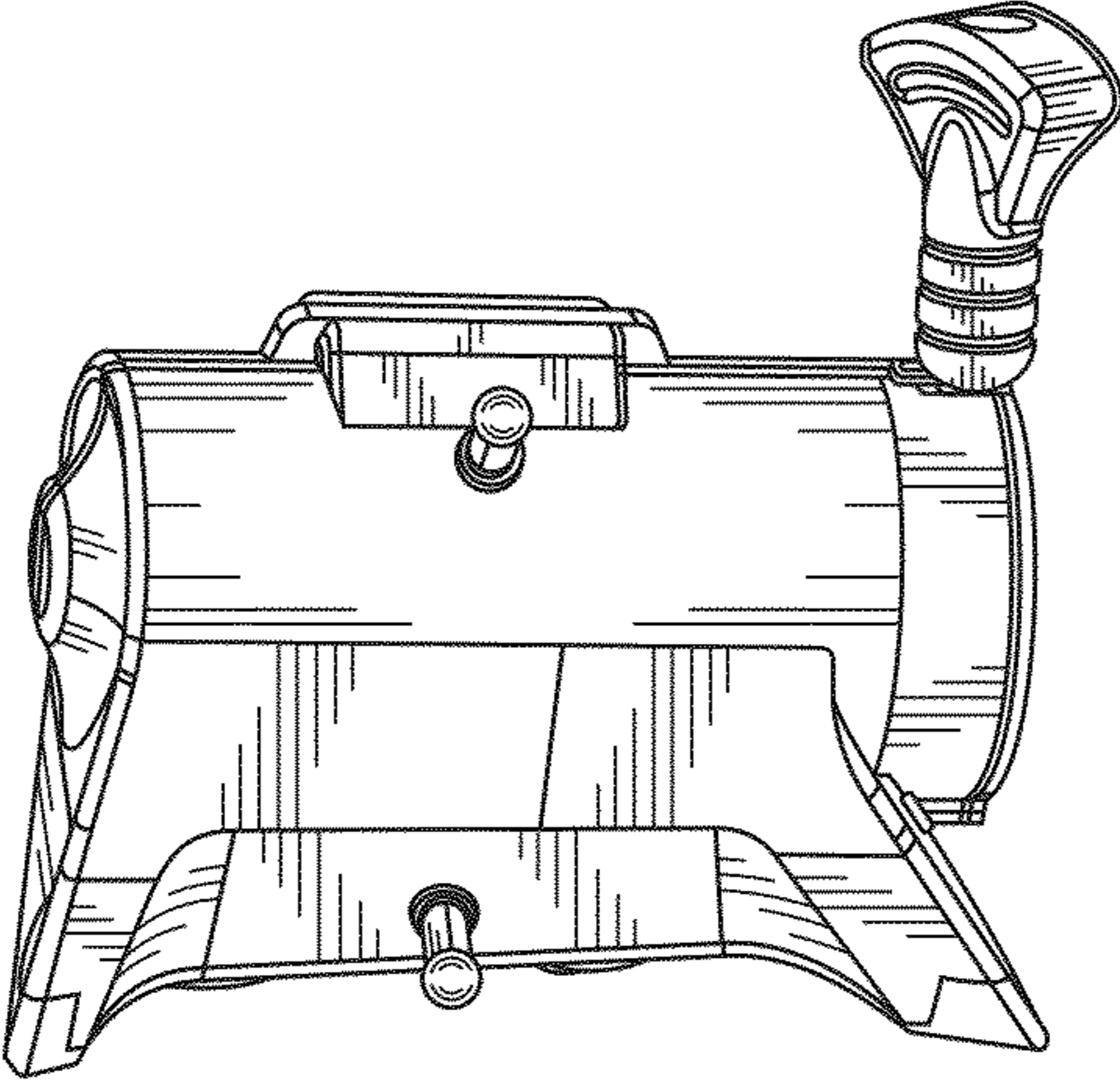
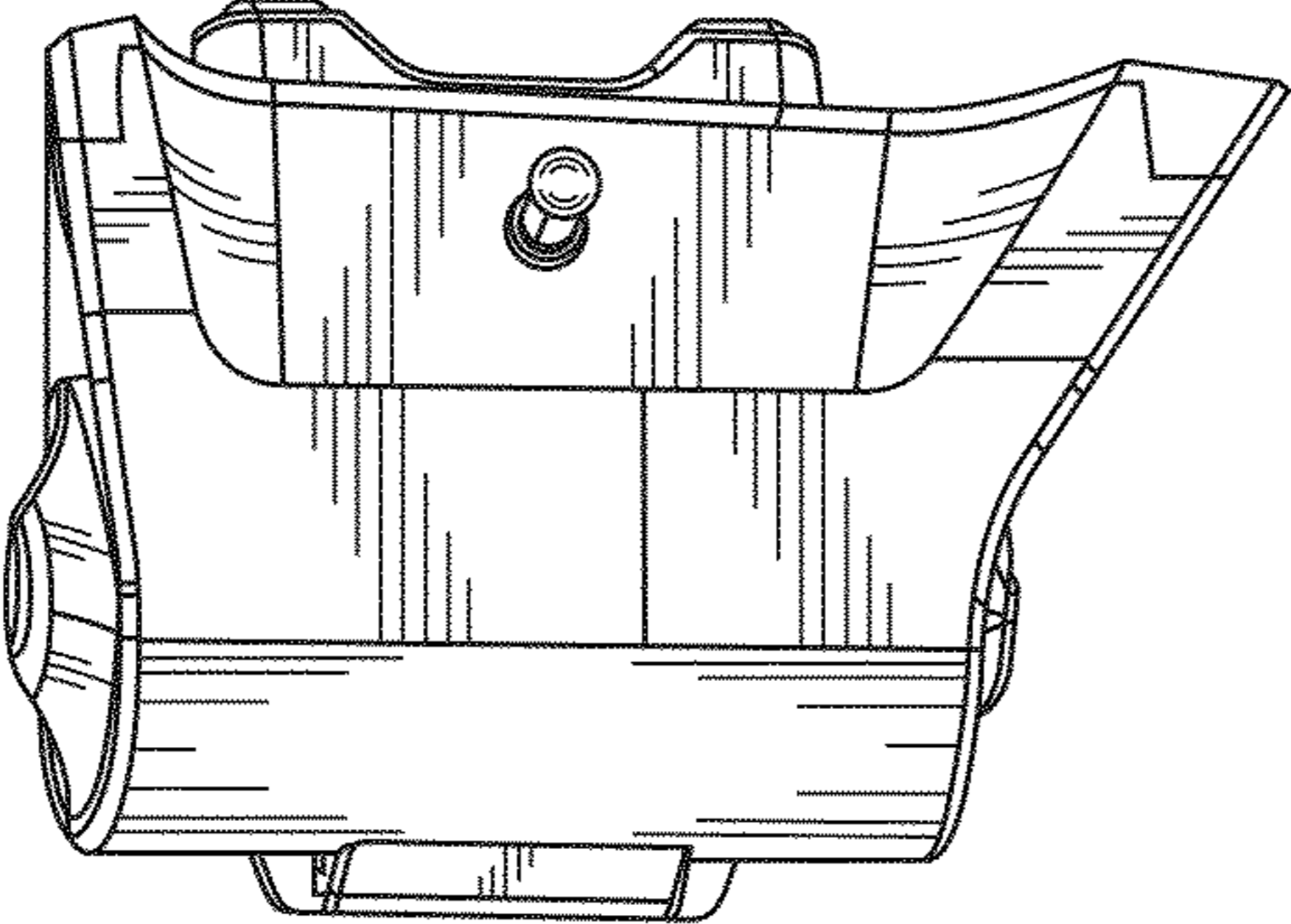


FIG. 1



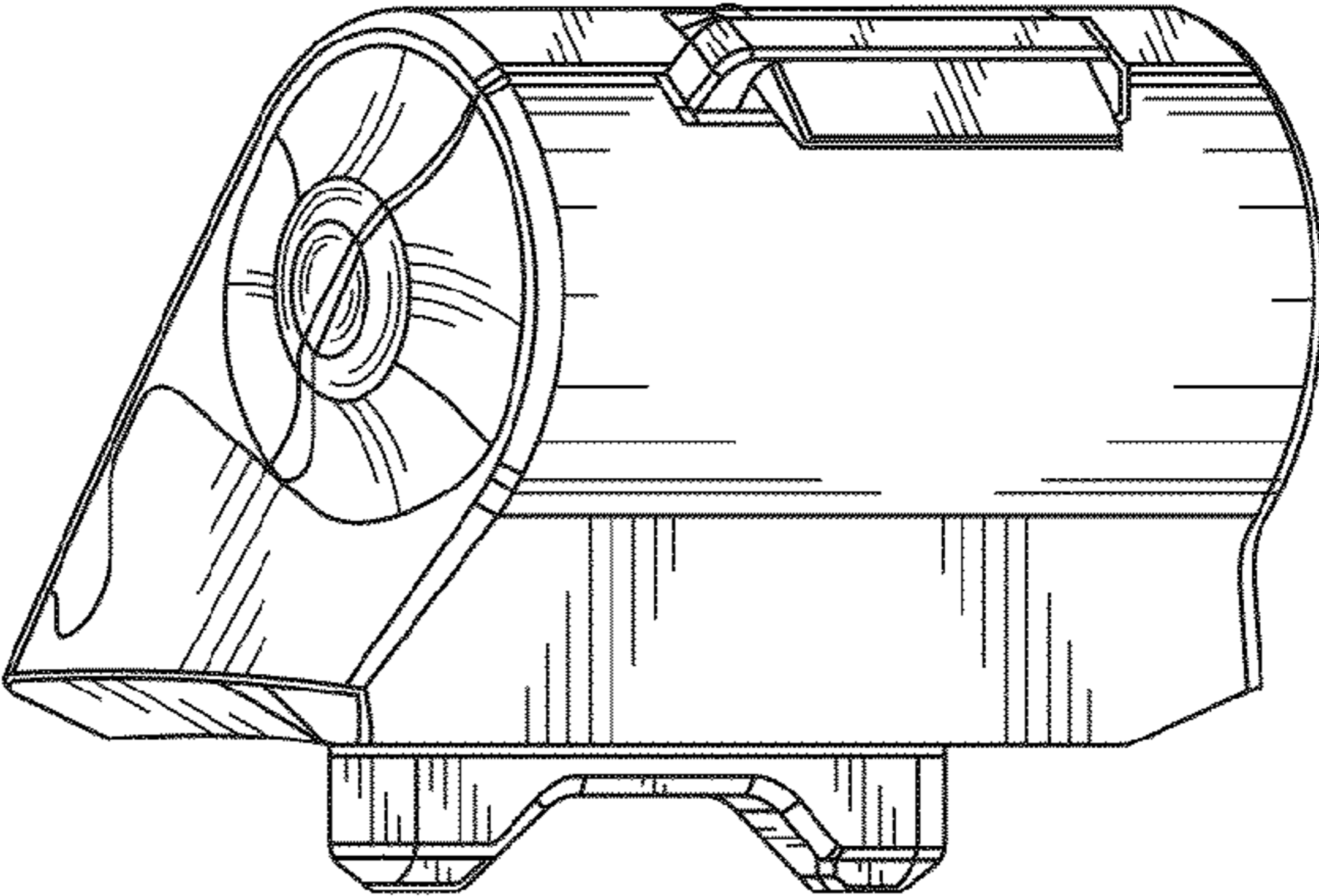
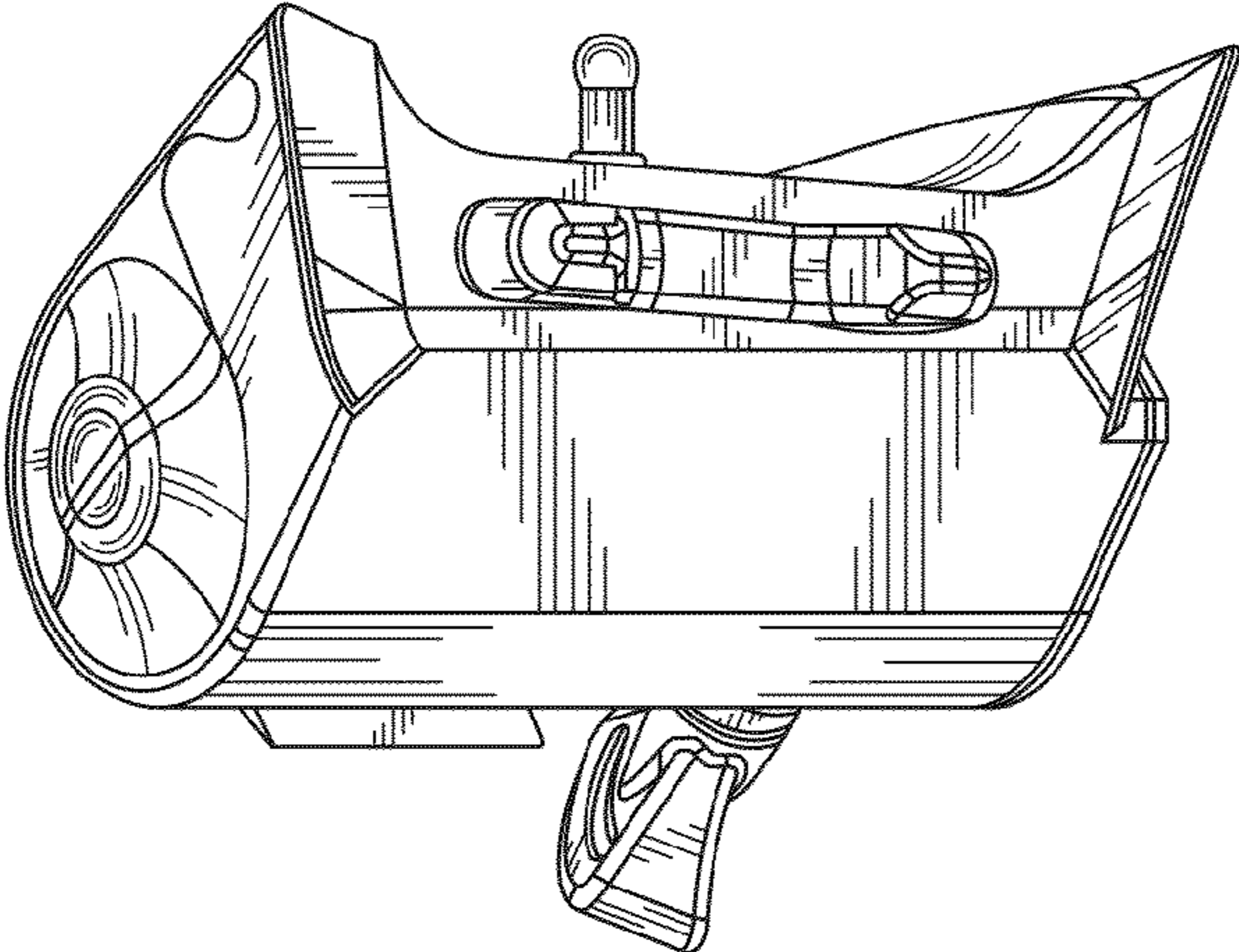


FIG. 2



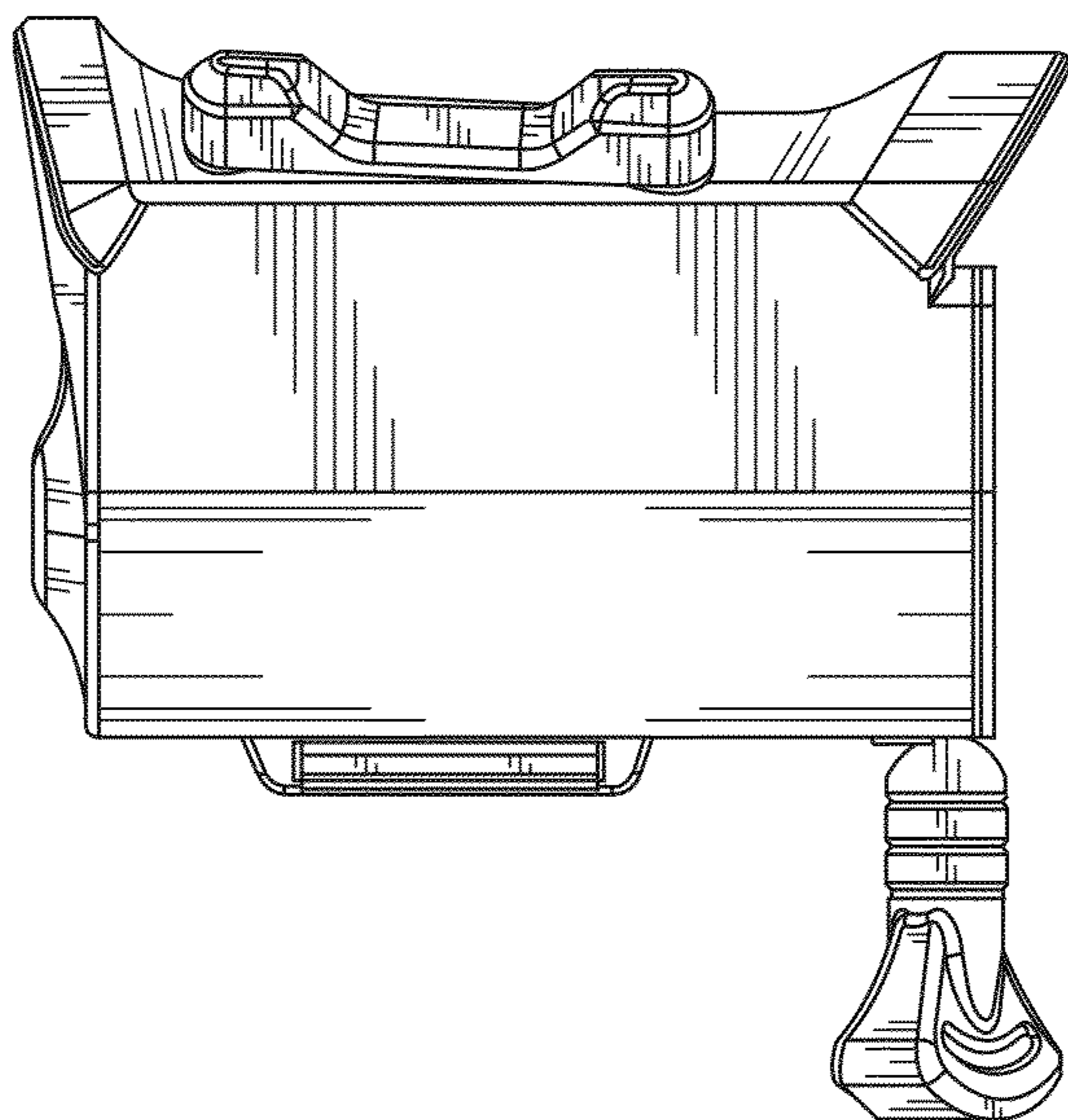
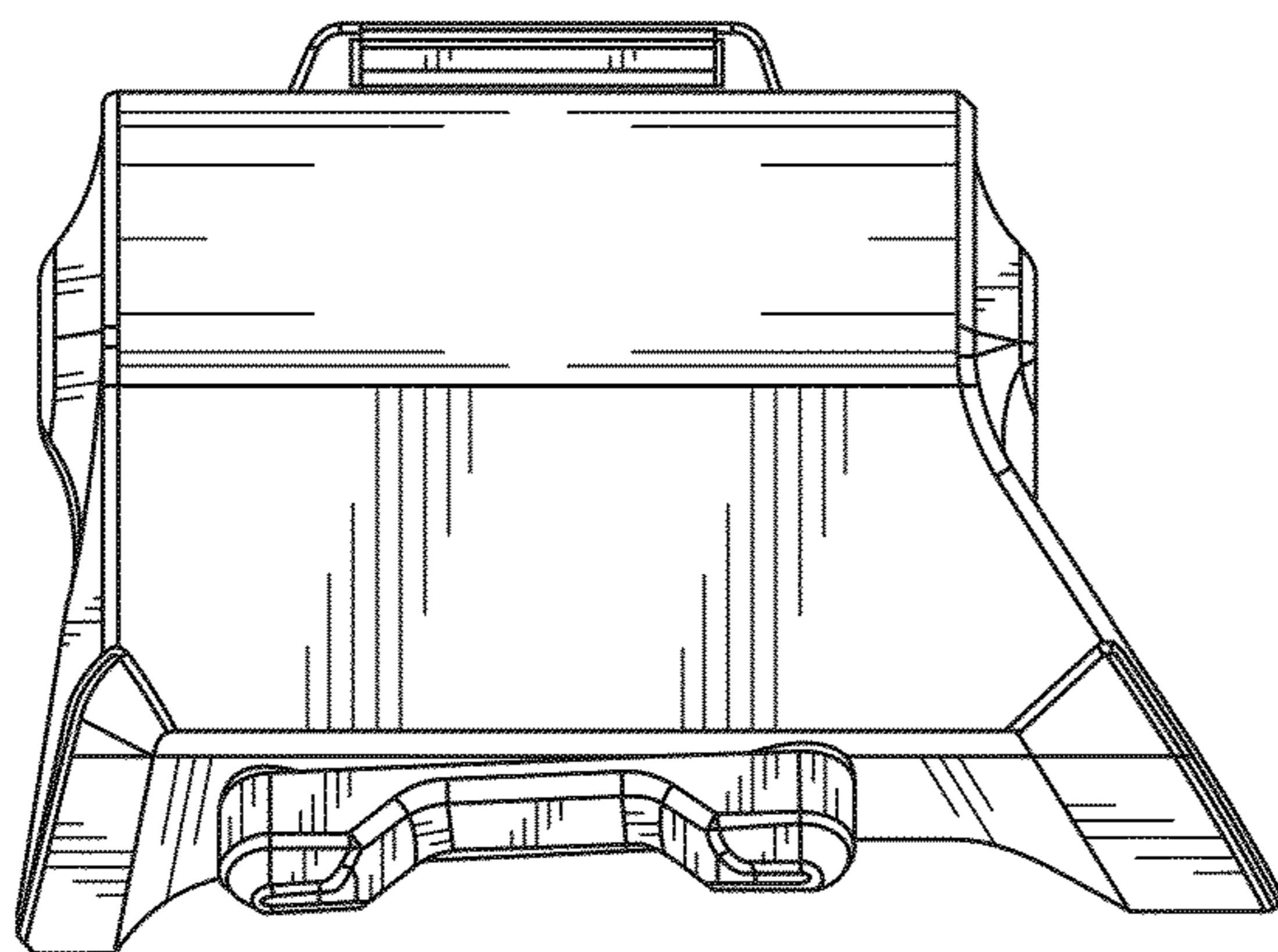


FIG. 3

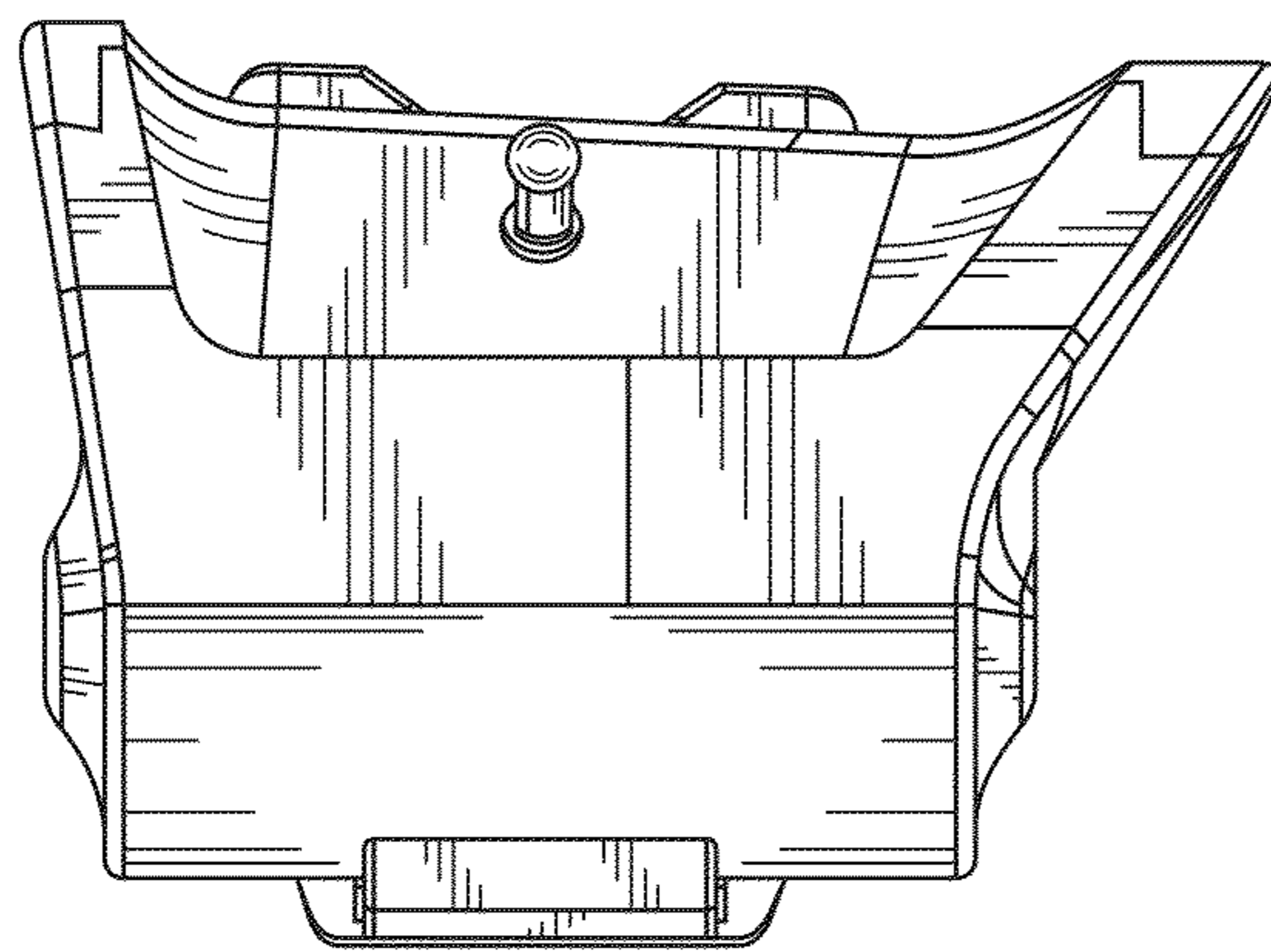
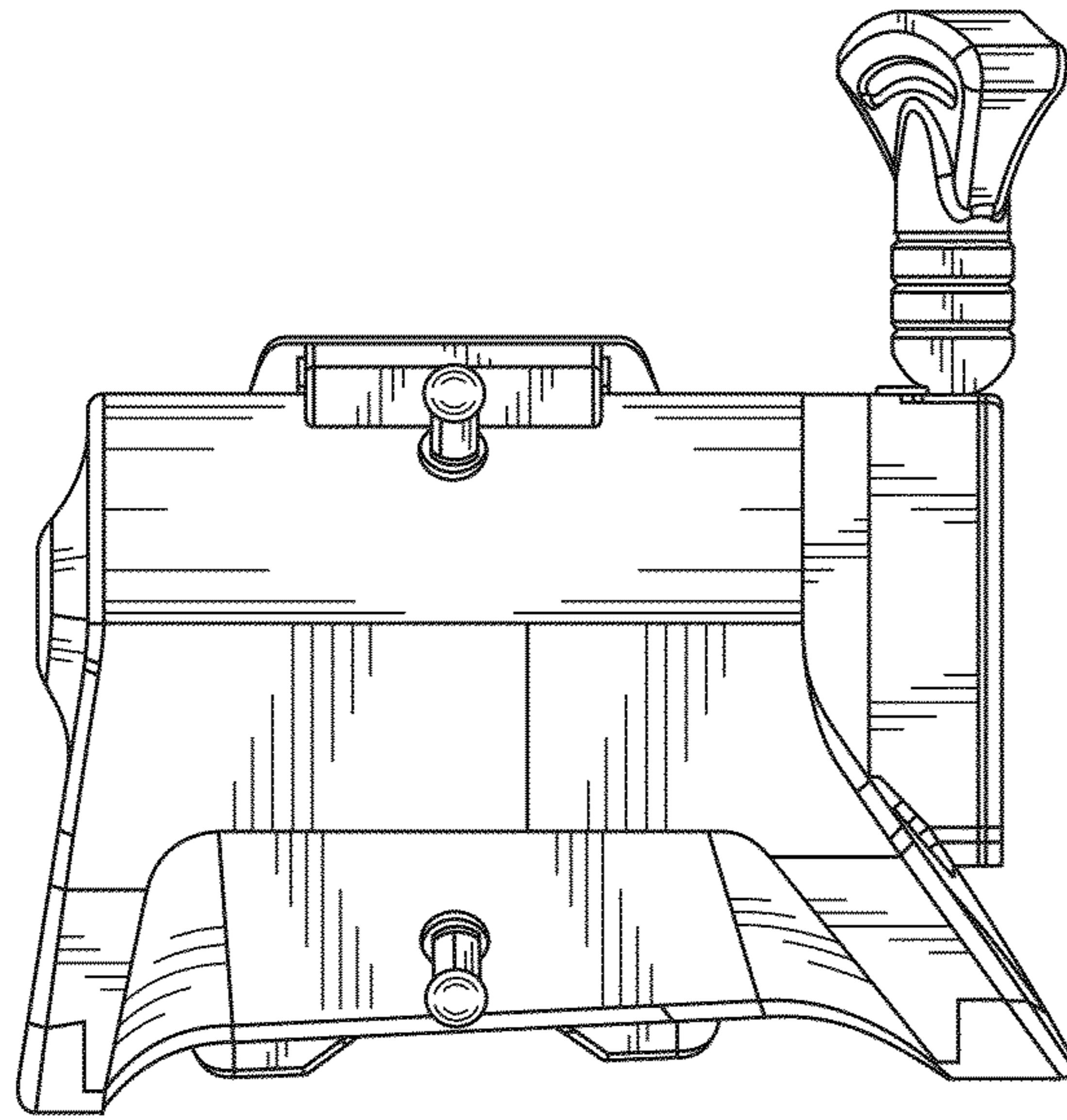


FIG. 4

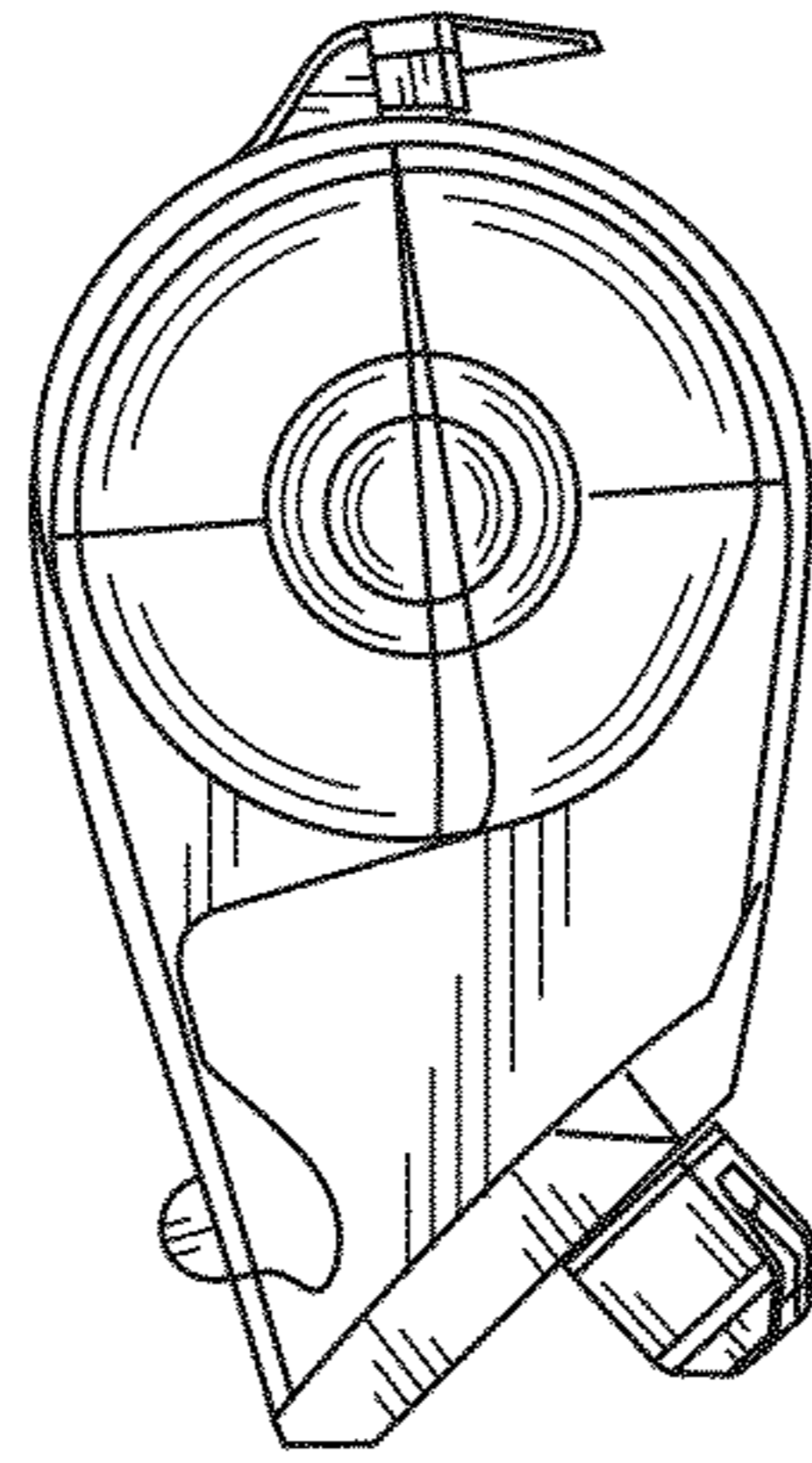
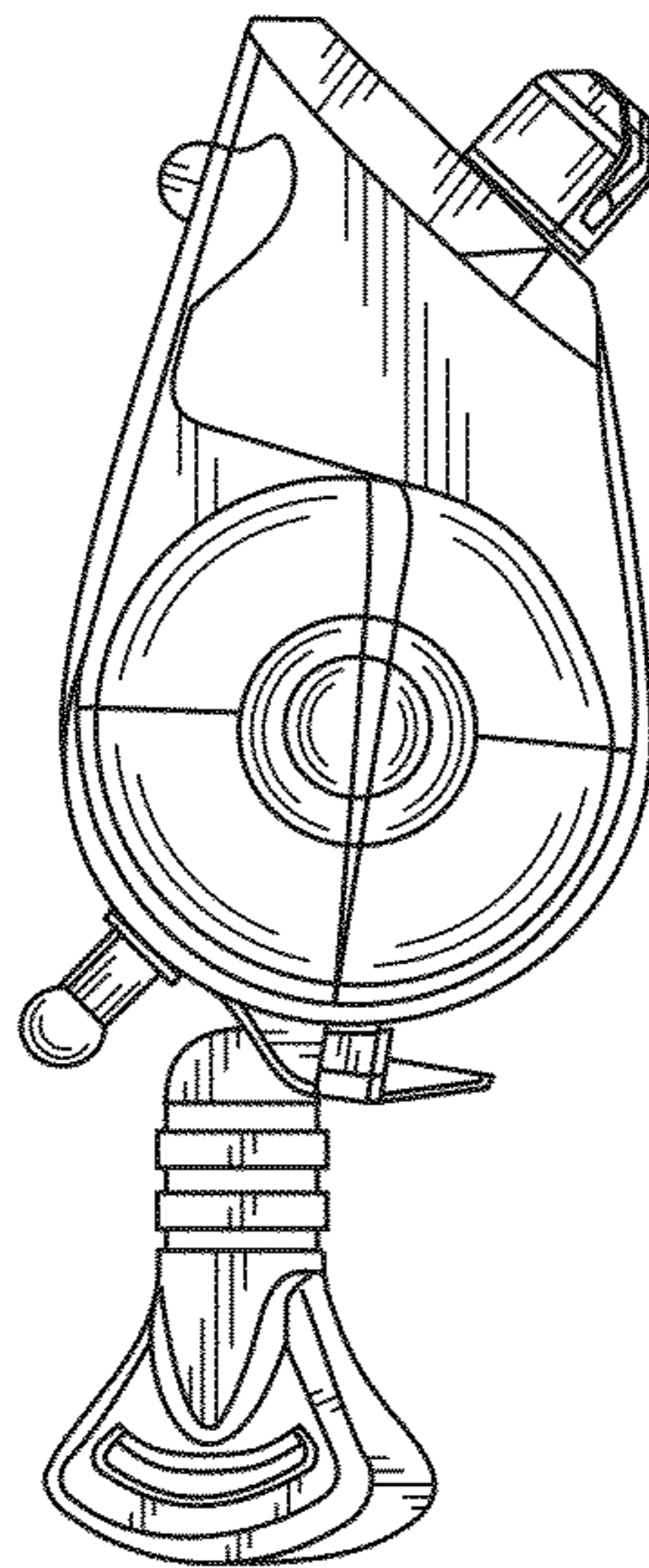


FIG. 5



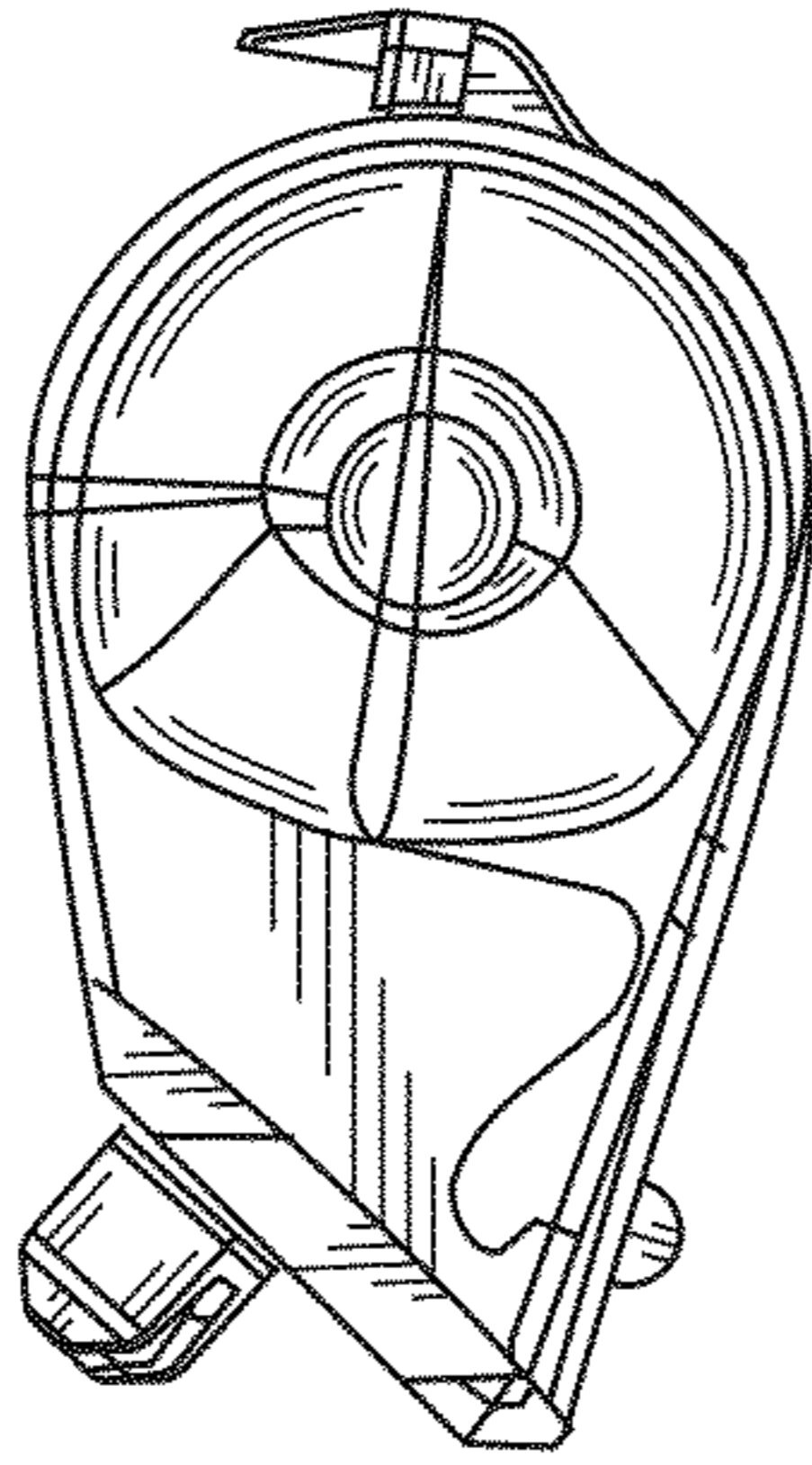
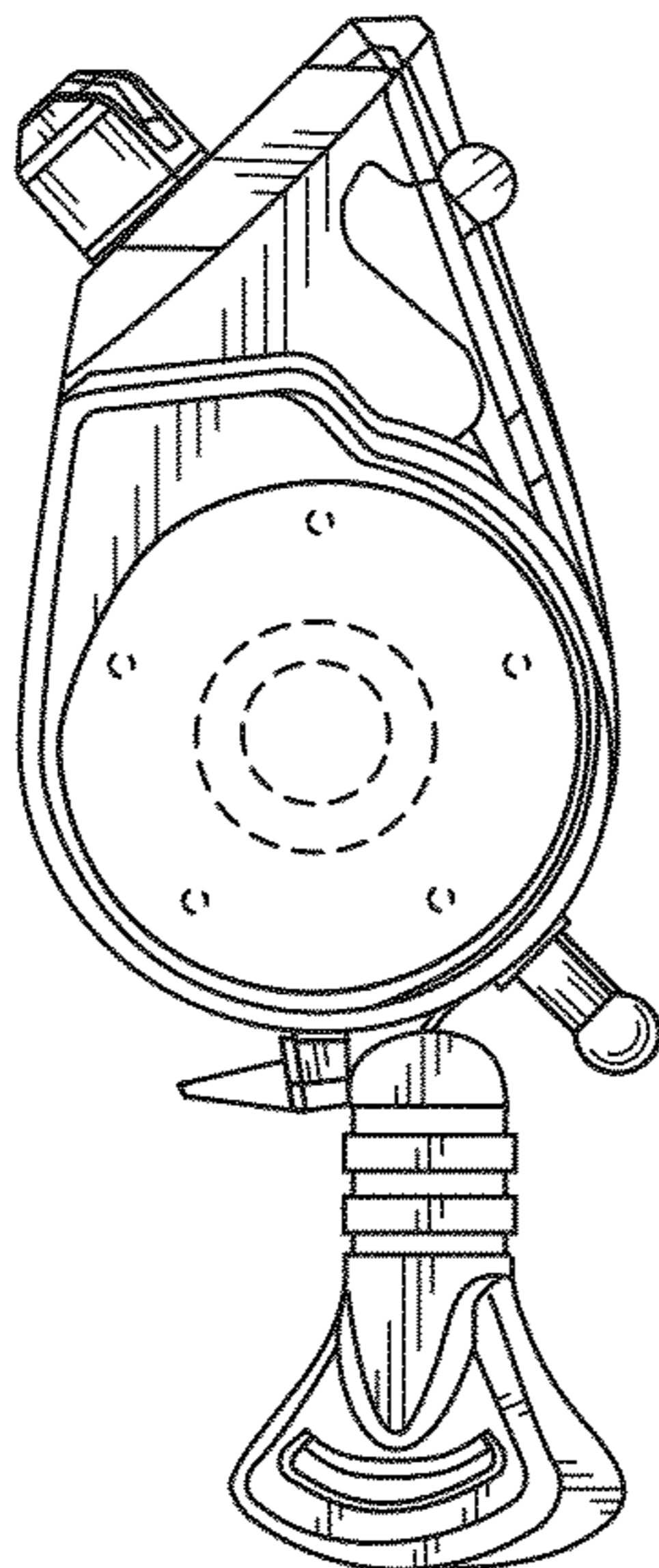


FIG. 6



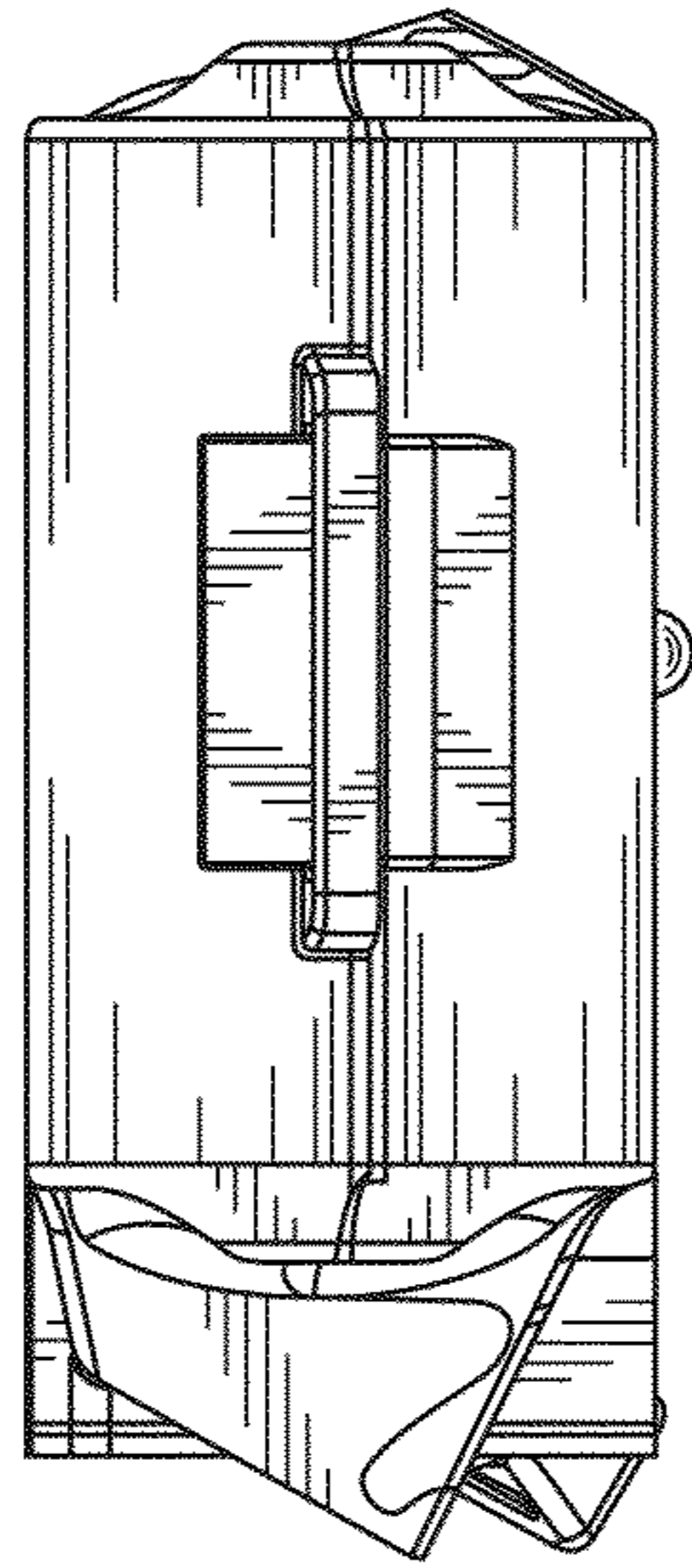


FIG. 7

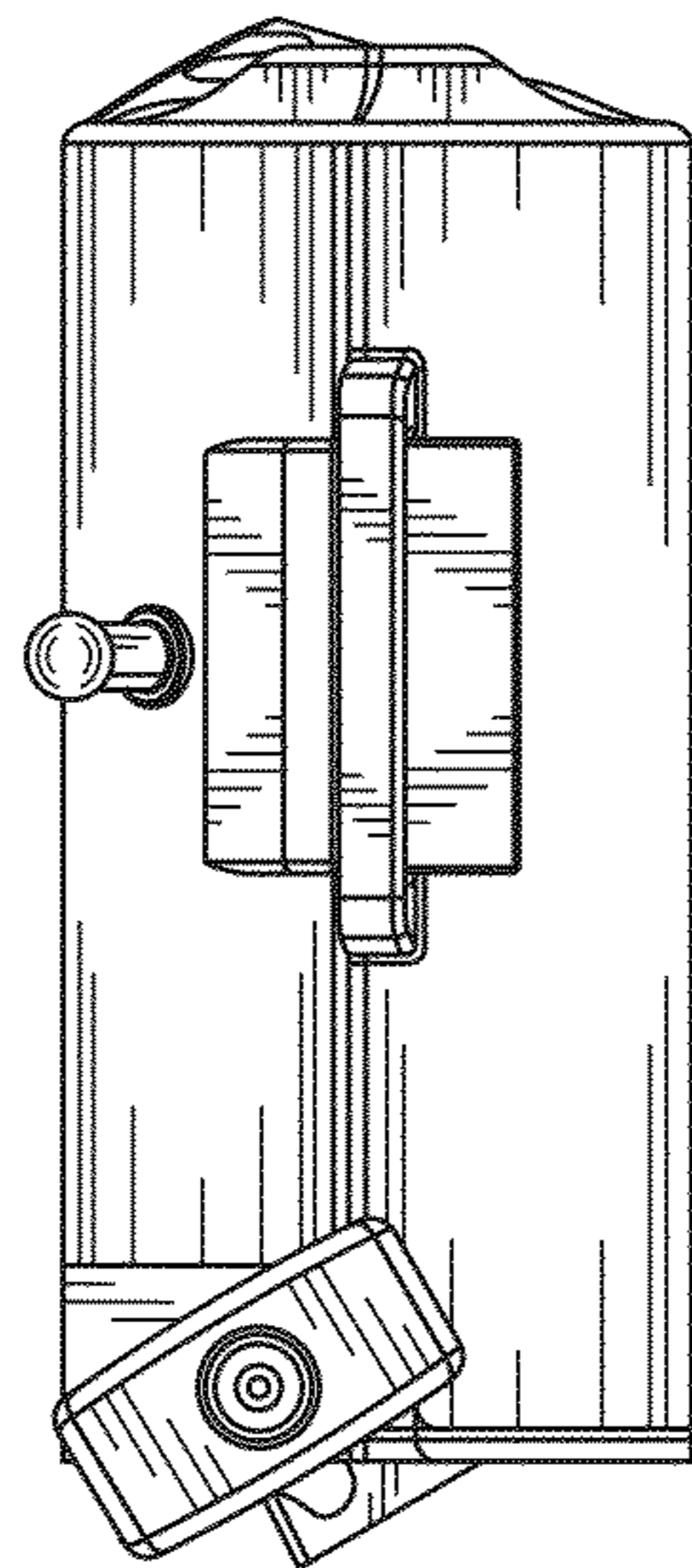


FIG. 8

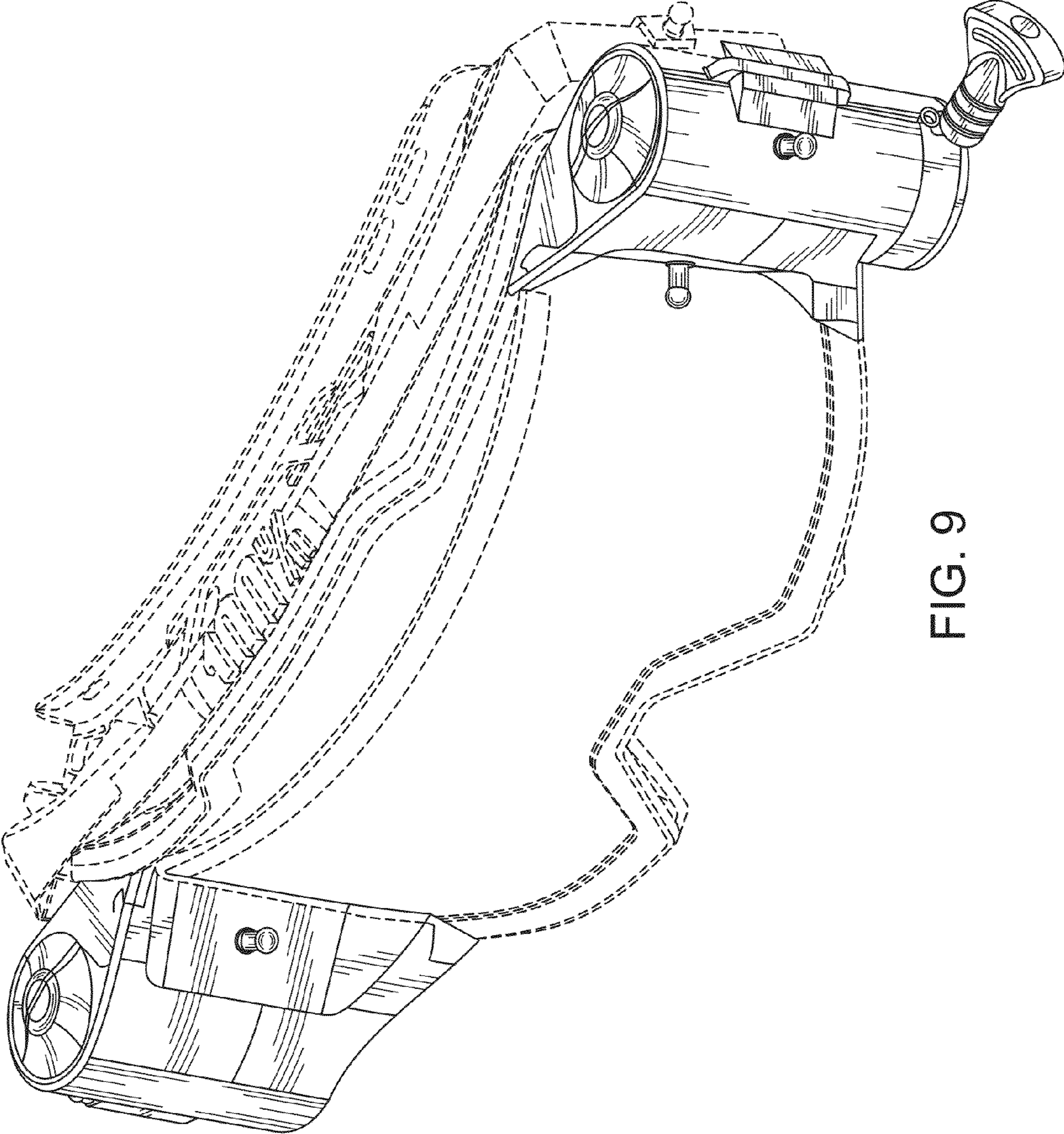


FIG. 9

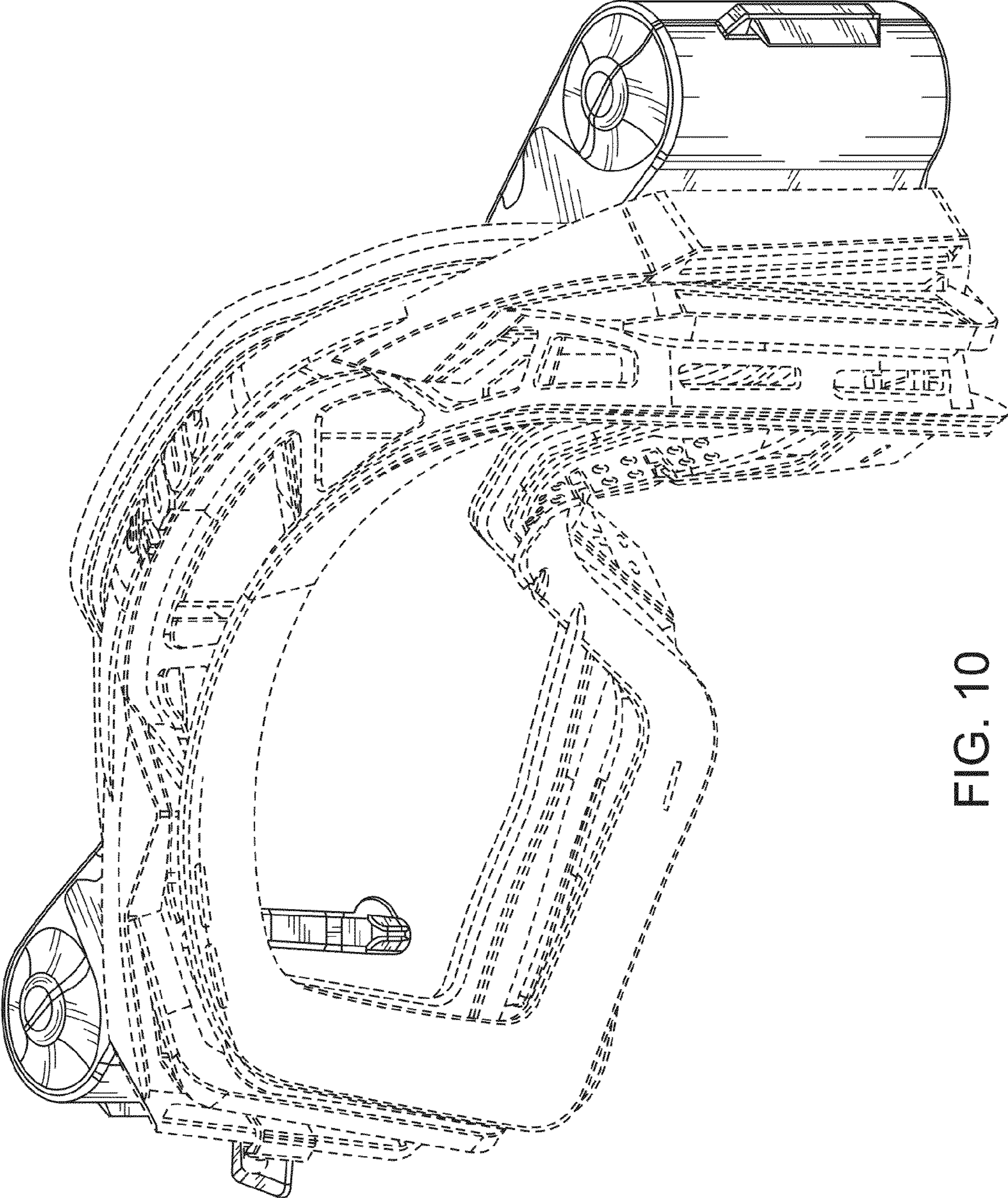


FIG. 10