



US00D755273S

(12) **United States Design Patent**
Baba et al.

(10) **Patent No.:** **US D755,273 S**

(45) **Date of Patent:** **** May 3, 2016**

(54) **CAMERA**

(71) Applicant: **Samsung Electronics Co., Ltd.**,
Suwon-si (KR)

(72) Inventors: **Kenji Baba**, Tokyo (JP); **Kenji Yamauchi**, Seoul (KR)

(73) Assignee: **SAMSUNG ELECTRONICS CO., LTD.**, Suwon-Si (KR)

(**) Term: **14 Years**

(21) Appl. No.: **29/520,091**

(22) Filed: **Mar. 11, 2015**

(30) **Foreign Application Priority Data**

Sep. 11, 2014 (KR) 30-2014-0044092

(51) **LOC (10) Cl.** **16-01**

(52) **U.S. Cl.**
USPC **D16/217**

(58) **Field of Classification Search**
USPC D16/200, 202, 216, 217, 218; 348/373;
396/176, 177, 382, 535
CPC G03B 15/03; G03B 15/05; H04N 5/2251;
H04N 5/2252

See application file for complete search history.

(56) **References Cited**

U.S. PATENT DOCUMENTS

6,351,609	B1 *	2/2002	Hosokawa	G03B 15/03
					396/177
6,427,051	B1 *	7/2002	Hosokawa	G03B 15/05
					396/177
D471,222	S *	3/2003	Matsumura	D16/217
D482,713	S *	11/2003	Hayashi	D16/217
D559,291	S *	1/2008	Hayashi	D16/202
D560,239	S *	1/2008	Kim	D16/202
D609,730	S *	2/2010	Nakamura	D16/202
7,729,610	B2 *	6/2010	Tomatsu	G03B 13/10
					396/382

* cited by examiner

Primary Examiner — Adir Aronovich

(74) *Attorney, Agent, or Firm* — McAndrews Held & Malloy, Ltd.

(57) **CLAIM**

The ornamental design for a camera, as shown and described.

DESCRIPTION

FIG. 1 is a top right front perspective view of a camera showing our new design;
FIG. 2 is a front elevation view thereof;
FIG. 3 is a rear elevation view thereof;
FIG. 4 is a left side elevation view thereof;
FIG. 5 is a right side elevation view thereof;
FIG. 6 is a top plan view thereof; and,
FIG. 7 is a bottom plan view thereof.
The broken lines in the drawings are shown to illustrate the portions of a camera in which the design is embodied and form no part of the claimed design.

1 Claim, 7 Drawing Sheets

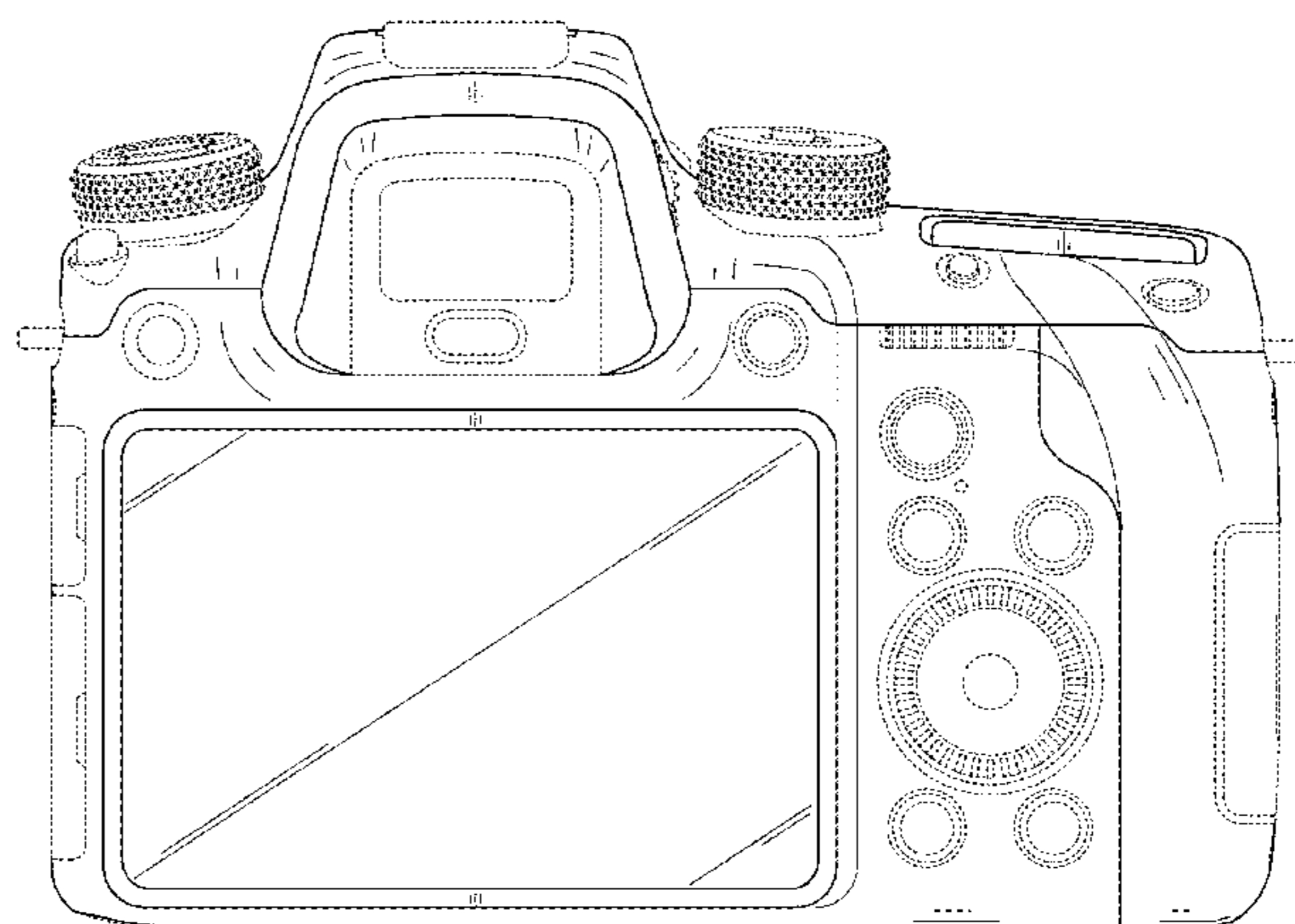
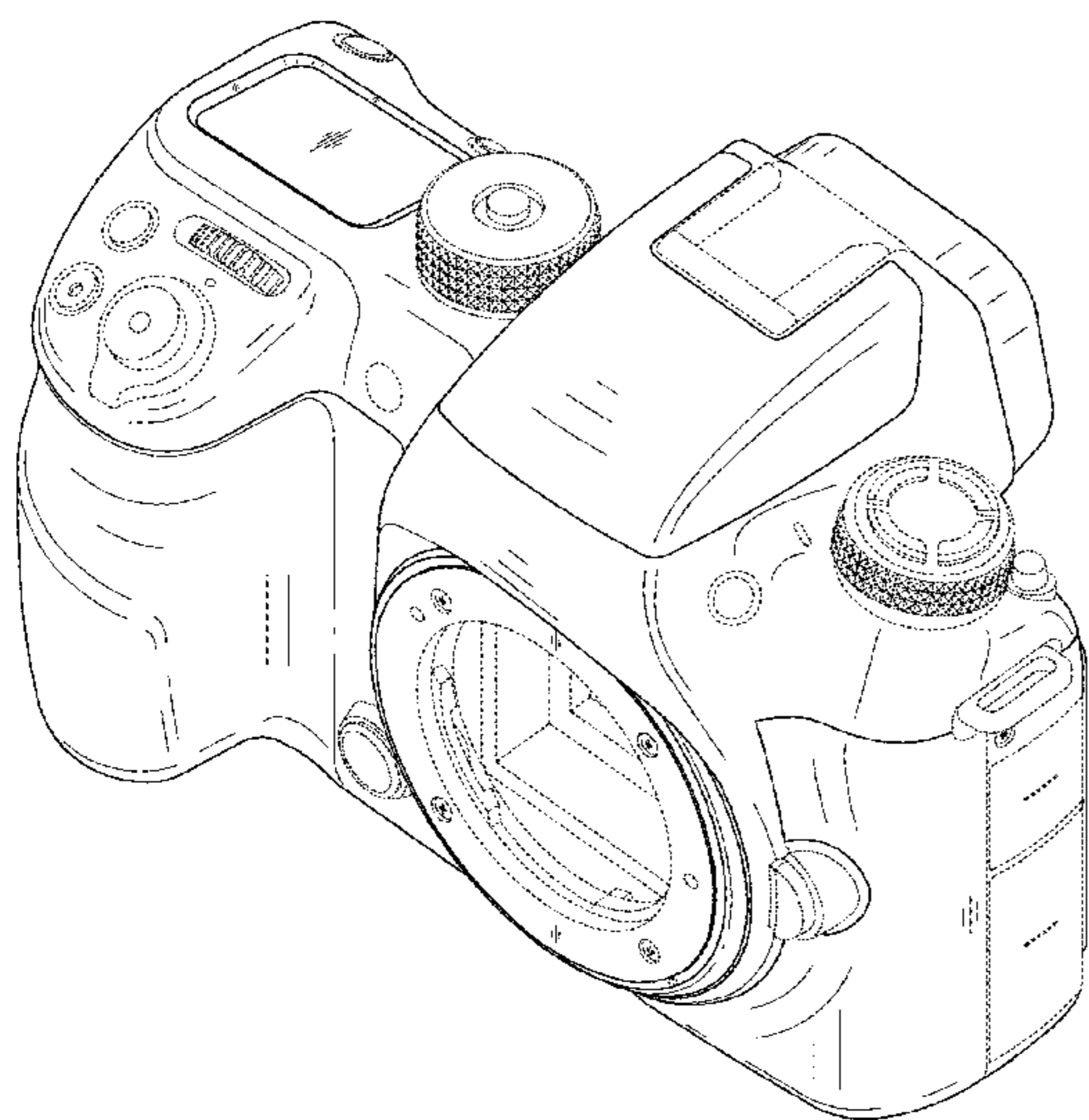


FIG. 1

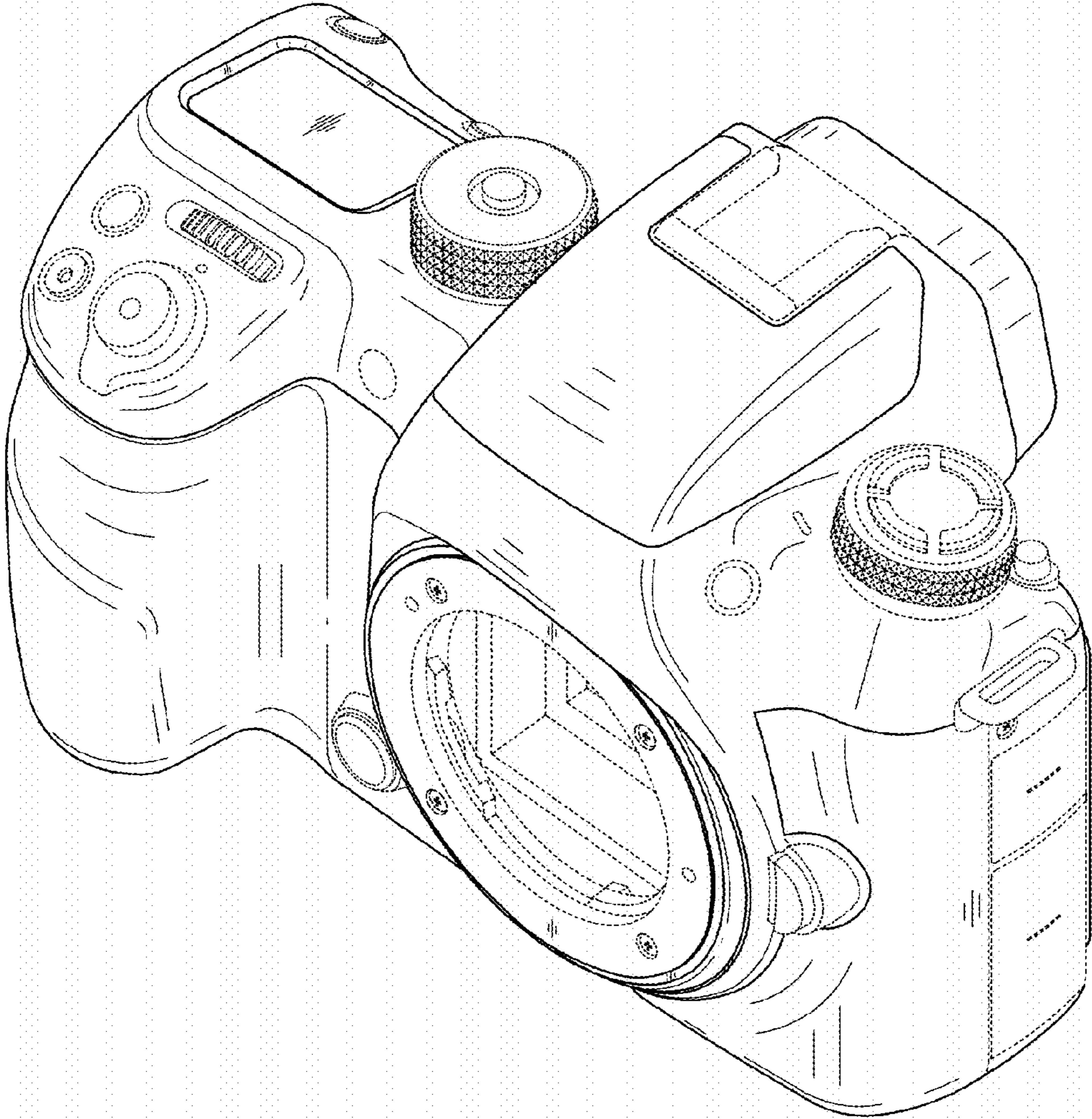


FIG. 2

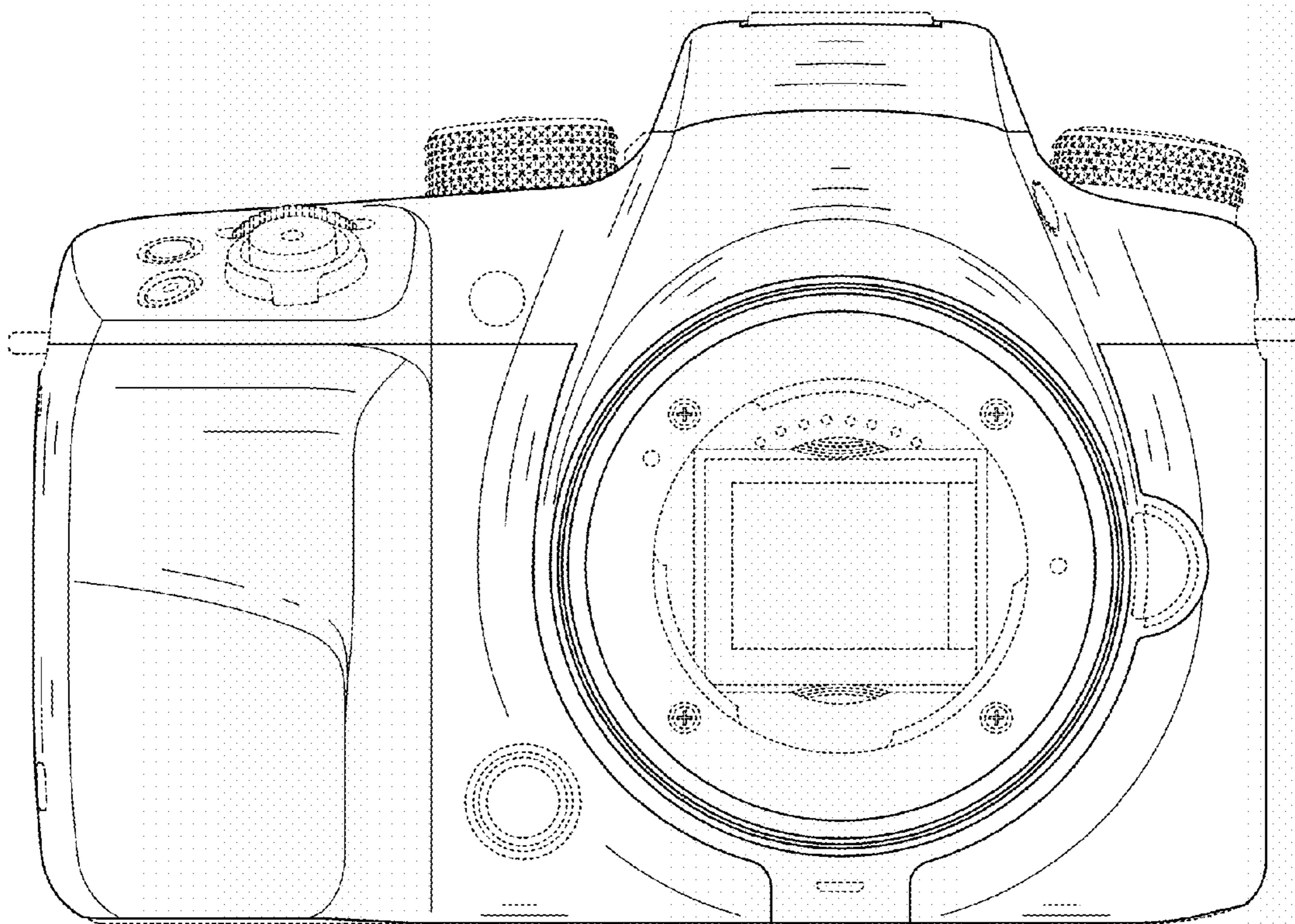


FIG. 3

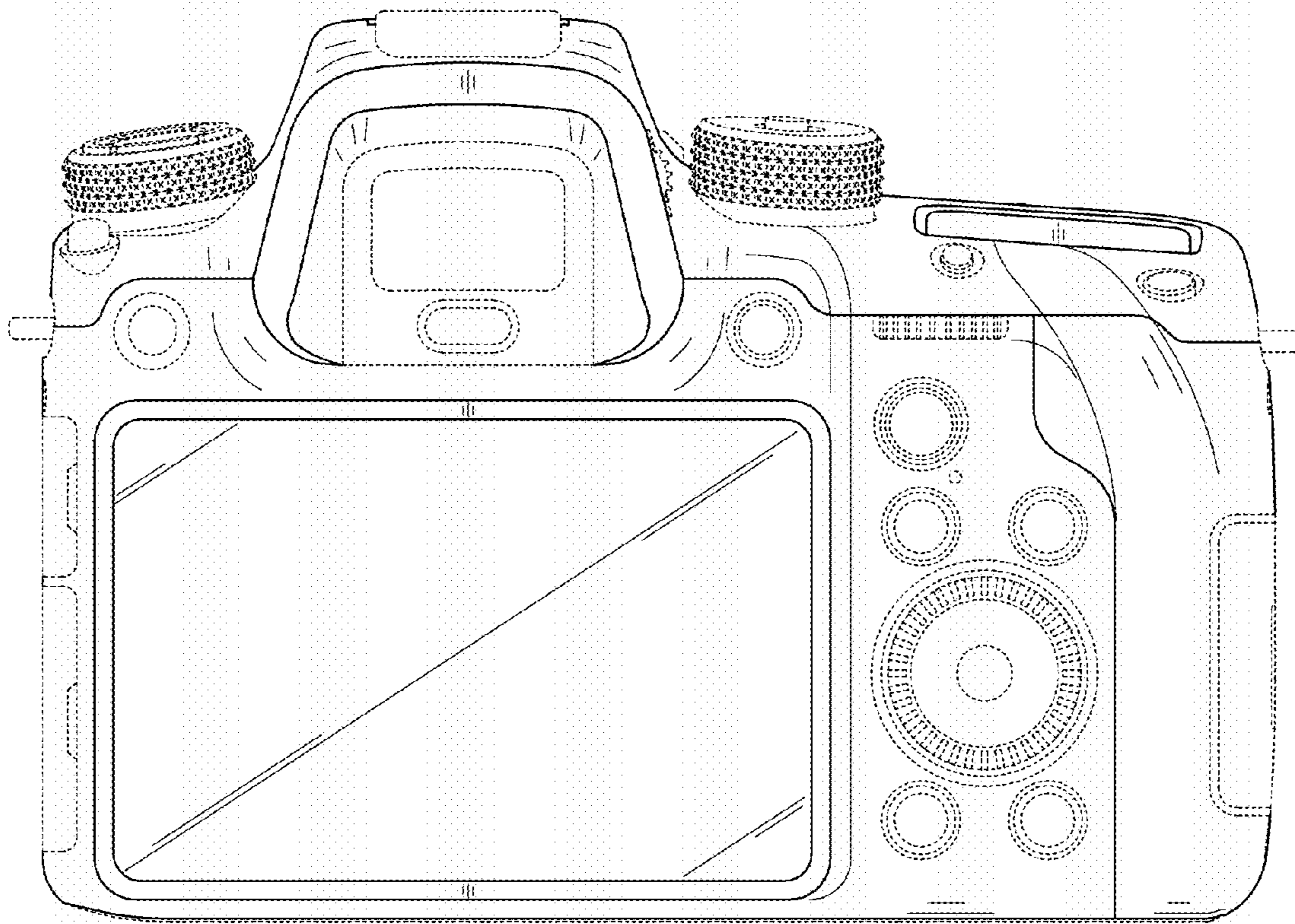


FIG. 4

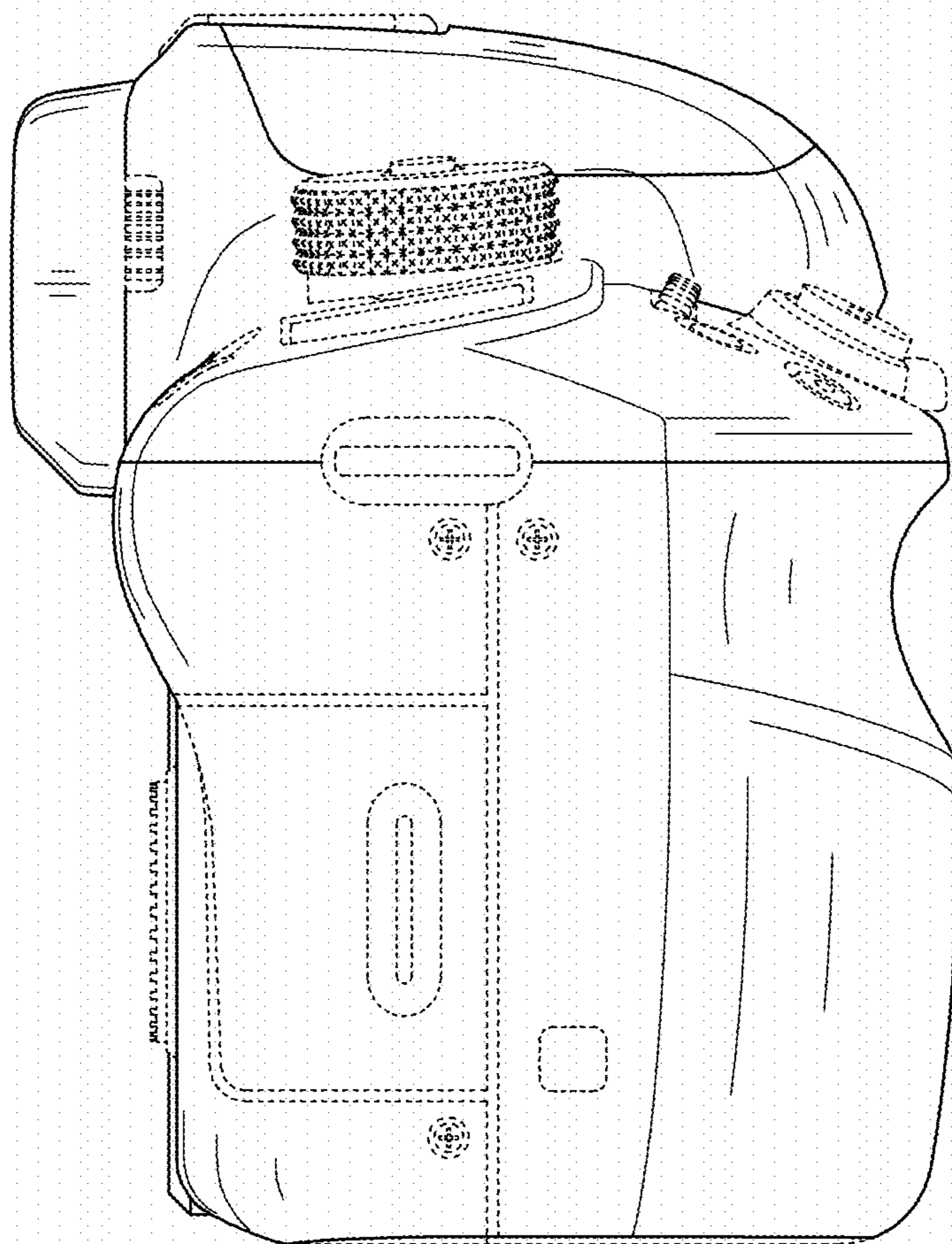


FIG. 5

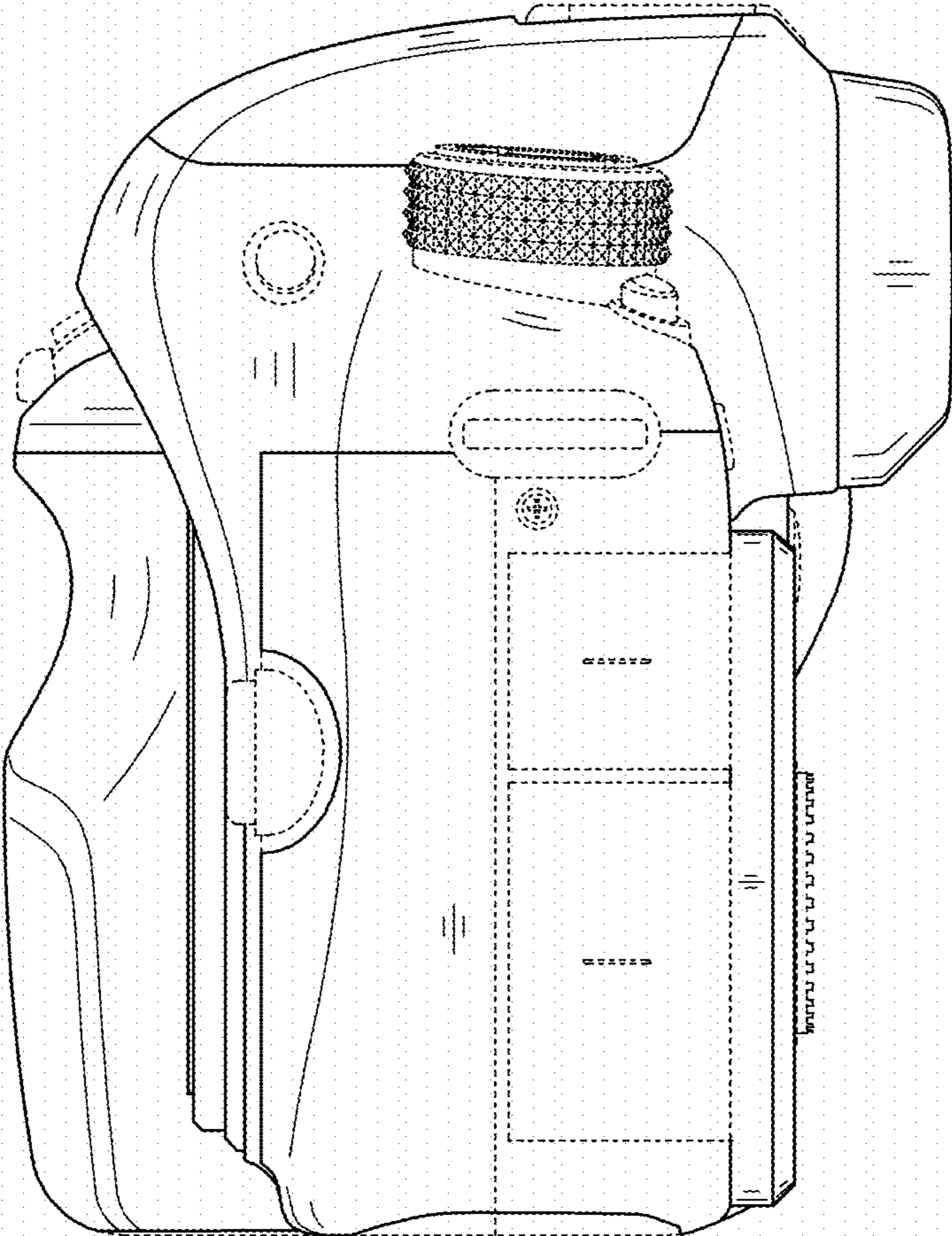


FIG.6

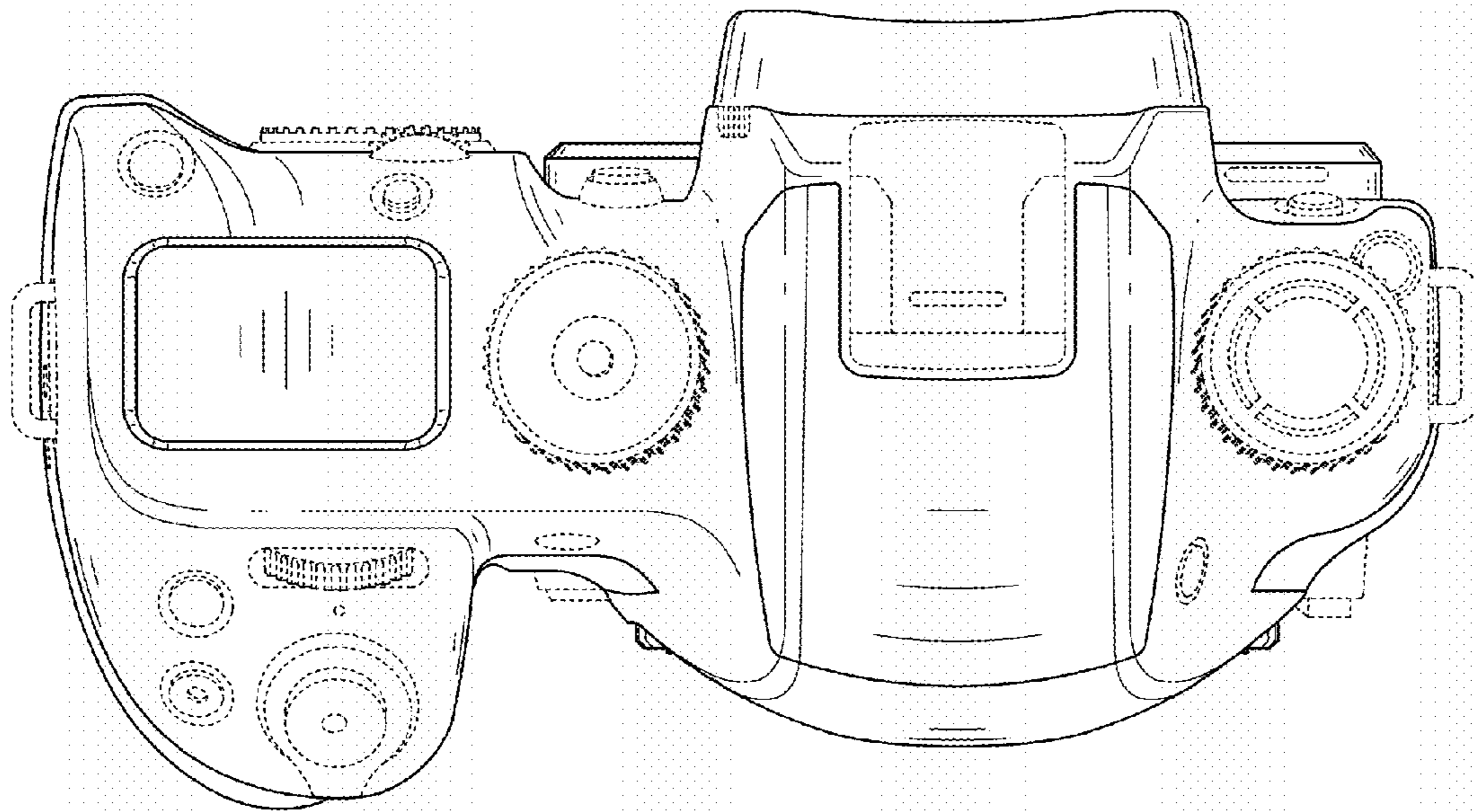


FIG. 7

