



US00D755270S

(12) **United States Design Patent**
Vehlewald et al.

(10) **Patent No.:** **US D755,270 S**
(45) **Date of Patent:** **** May 3, 2016**

(54) **CAMERA**

(71) Applicant: **Garmin Switzerland GmbH**,
Schaffhausen (CH)

(72) Inventors: **Thomas J. Vehlewald**, Overland Park,
KS (US); **Shawn R. Harvill**, Kansas
City, KS (US); **Todd P. Register**, Olathe,
KS (US); **David F. Lammers-Meis**,
Olathe, KS (US); **Patrick M. Houin**,
Overland Park, KS (US)

(73) Assignee: **Garmin Switzerland GmbH** (CH)

(**) Term: **14 Years**

(21) Appl. No.: **29/513,216**

(22) Filed: **Dec. 29, 2014**

(51) **LOC (10) Cl.** **16-01**

(52) **U.S. Cl.**
USPC **D16/202**

(58) **Field of Classification Search**
USPC D16/200, 202–208, 210, 218, 219;
348/143, 148, 151, 373–376; 396/419,
396/427, 535–541
CPC G03B 15/03; G03B 17/02; G03B 17/04;
G03B 17/56; G03B 19/04; H04N 5/2251;
H04N 5/2252; H04N 5/2253; H04N 5/2254;
H04N 2101/00

See application file for complete search history.

(56) **References Cited**

U.S. PATENT DOCUMENTS

D460,773 S * 7/2002 Arbuckle D16/203
D472,259 S * 3/2003 Rupe D16/202
6,637,952 B2 * 10/2003 Arbuckle G03B 17/02
348/143
6,683,654 B1 * 1/2004 Haijima H04N 5/2252
348/335

D551,275 S * 9/2007 Kim D16/202
7,371,021 B2 * 5/2008 Ross, Jr. F41G 1/467
348/E5.026
D647,935 S * 11/2011 Raken D16/202
D668,282 S * 10/2012 Ohno D16/203
D674,832 S * 1/2013 Zhang D16/202
D687,875 S * 8/2013 Sasaki D16/202
D694,797 S * 12/2013 Parker D16/202

OTHER PUBLICATIONS

Printout from <http://www.dcrainmaker.com/2014/11/gopros-re-view-indepth.html> published prior to Dec. 29, 2014.

Printout from http://www.cameralabs.com/reviews/GoPro_HD_Hero_2/ published prior to Dec. 29, 2014.

(Continued)

Primary Examiner — Adir Aronovich

Assistant Examiner — Ramzi Almatrahi

(74) *Attorney, Agent, or Firm* — Samuel M. Korte; Max M. Ali

(57) **CLAIM**

The ornamental design for a camera, as shown and described.

DESCRIPTION

FIG. 1 is a front perspective view of a camera according to the present invention;

FIG. 2 is a rear perspective view of the camera;

FIG. 3 is a top plan view of the camera;

FIG. 4 is a front elevation view of the camera;

FIG. 5 is a bottom plan view of the camera;

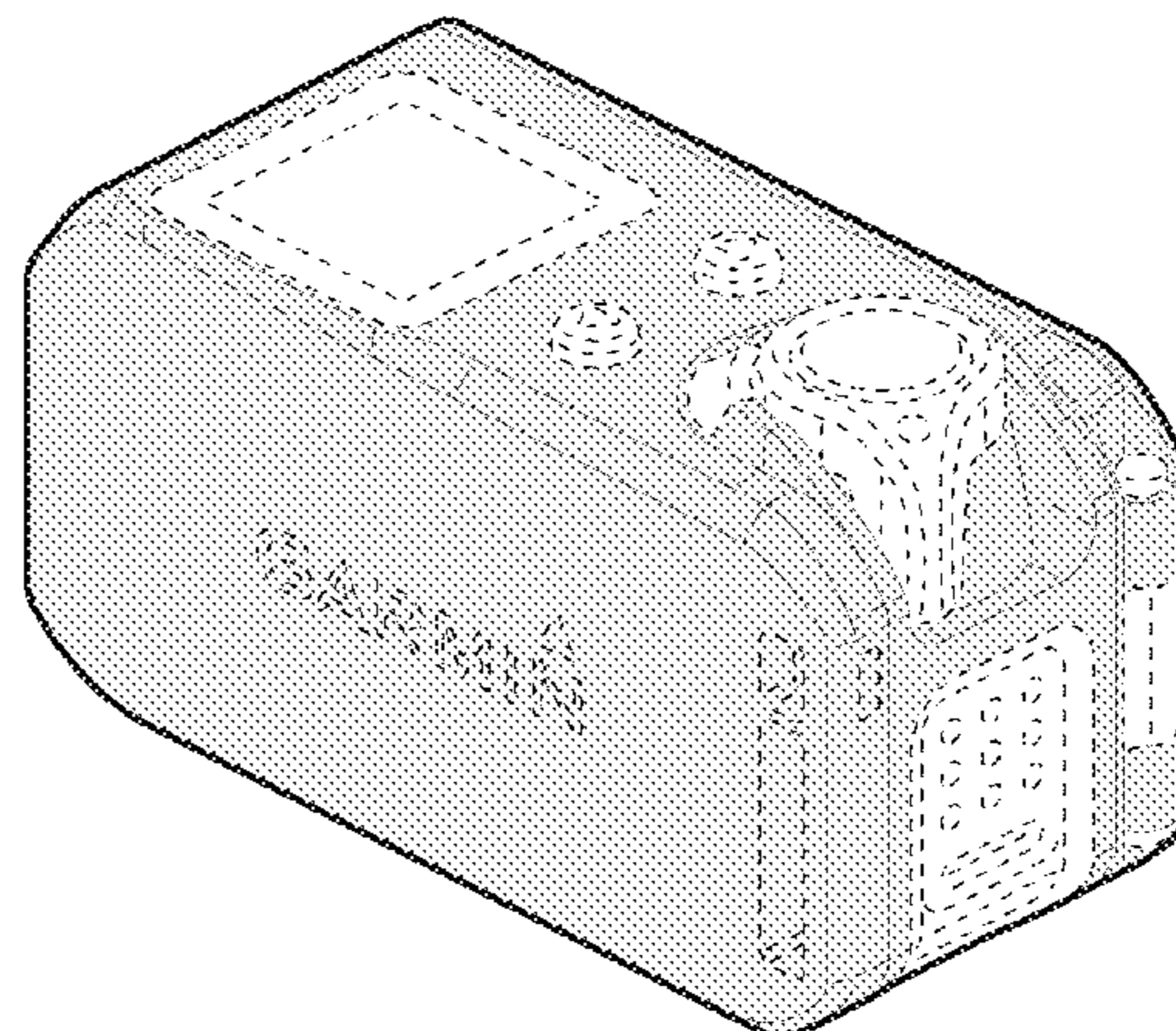
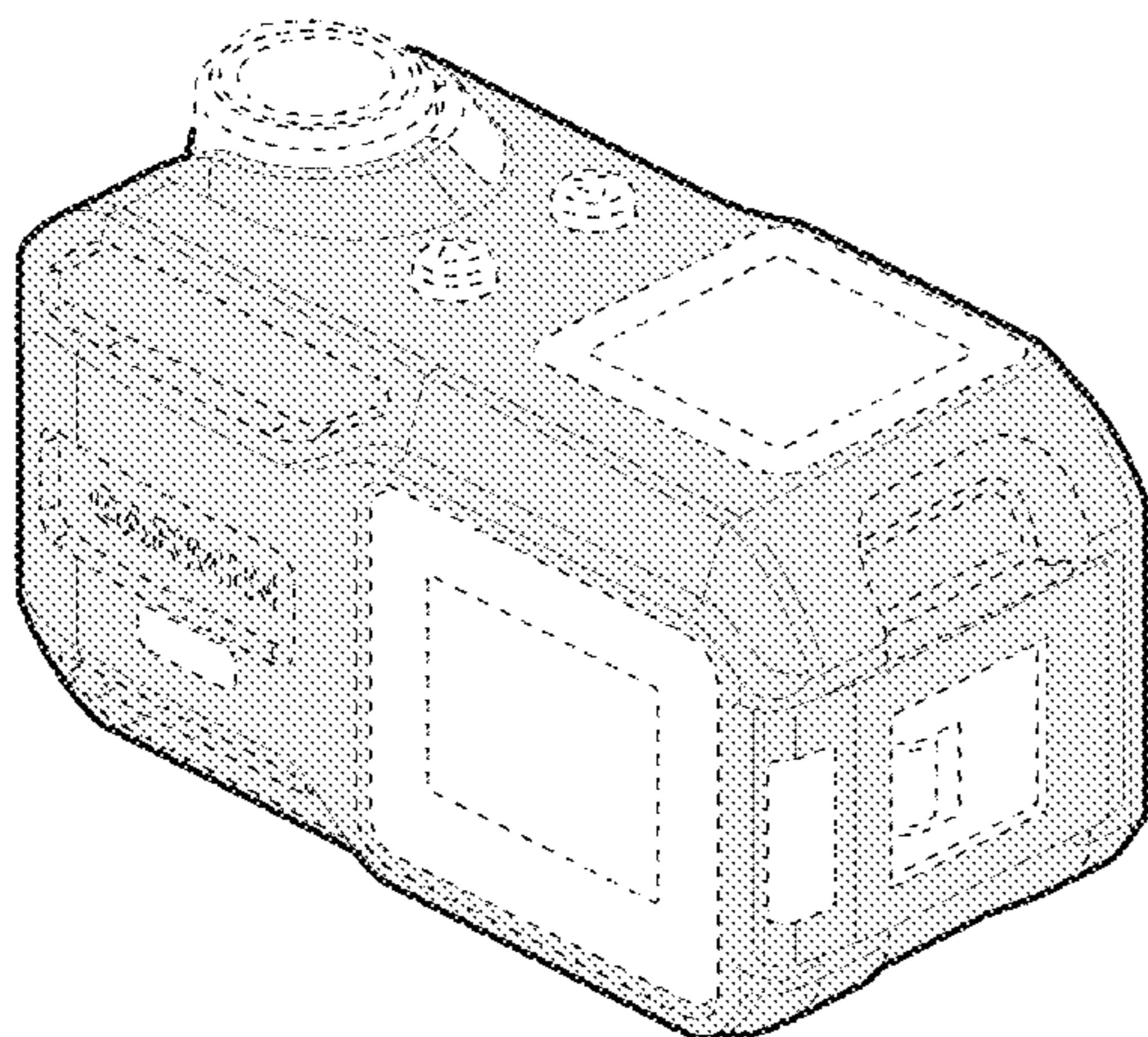
FIG. 6 is a rear elevation view of the camera;

FIG. 7 is a right side elevation view of the camera; and,

FIG. 8 is a left side elevation view of the camera.

The broken lines depict portions of a camera in which the design is embodied and form no part of the claimed design. The “GARMIN” indicia shown using broken lines in FIGS. 1-2, 4 and 6 is a registered trademark of Garmin Ltd. or its subsidiaries and forms no part of the claimed design.

1 Claim, 3 Drawing Sheets



(56)

References Cited

OTHER PUBLICATIONS

Printout from <http://pointofviewcameras.com/blog/pov/article/first-gopro-hd-hero-helmet-camera-review> published prior to Dec. 29, 2014.

Printout from <http://www.engadget.com/2006/07/18/go-pros-digital-hero-waterproof-wrist-camera/> published prior to Dec. 29, 2014.

Printout from <http://www.cnet.com/products/jvc-adixxion-gc-xa2/> published prior to Dec. 29, 2014.

Printout from http://www.usa.canon.com/cusa/consumer/products/cameras/digital_cameras/powershot_elph_340_hs/ published prior to Dec. 29, 2014.

* cited by examiner

Fig. 1

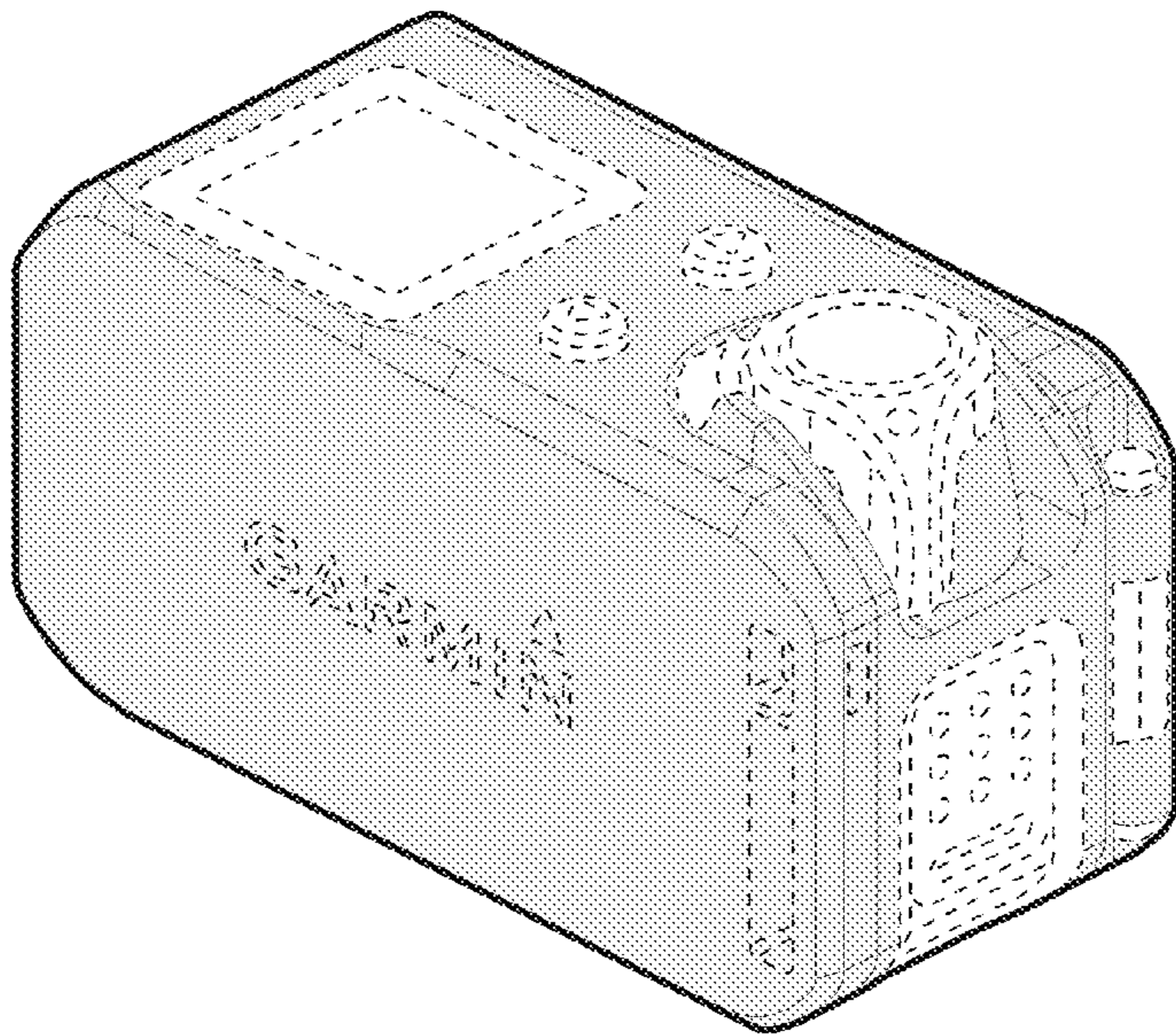
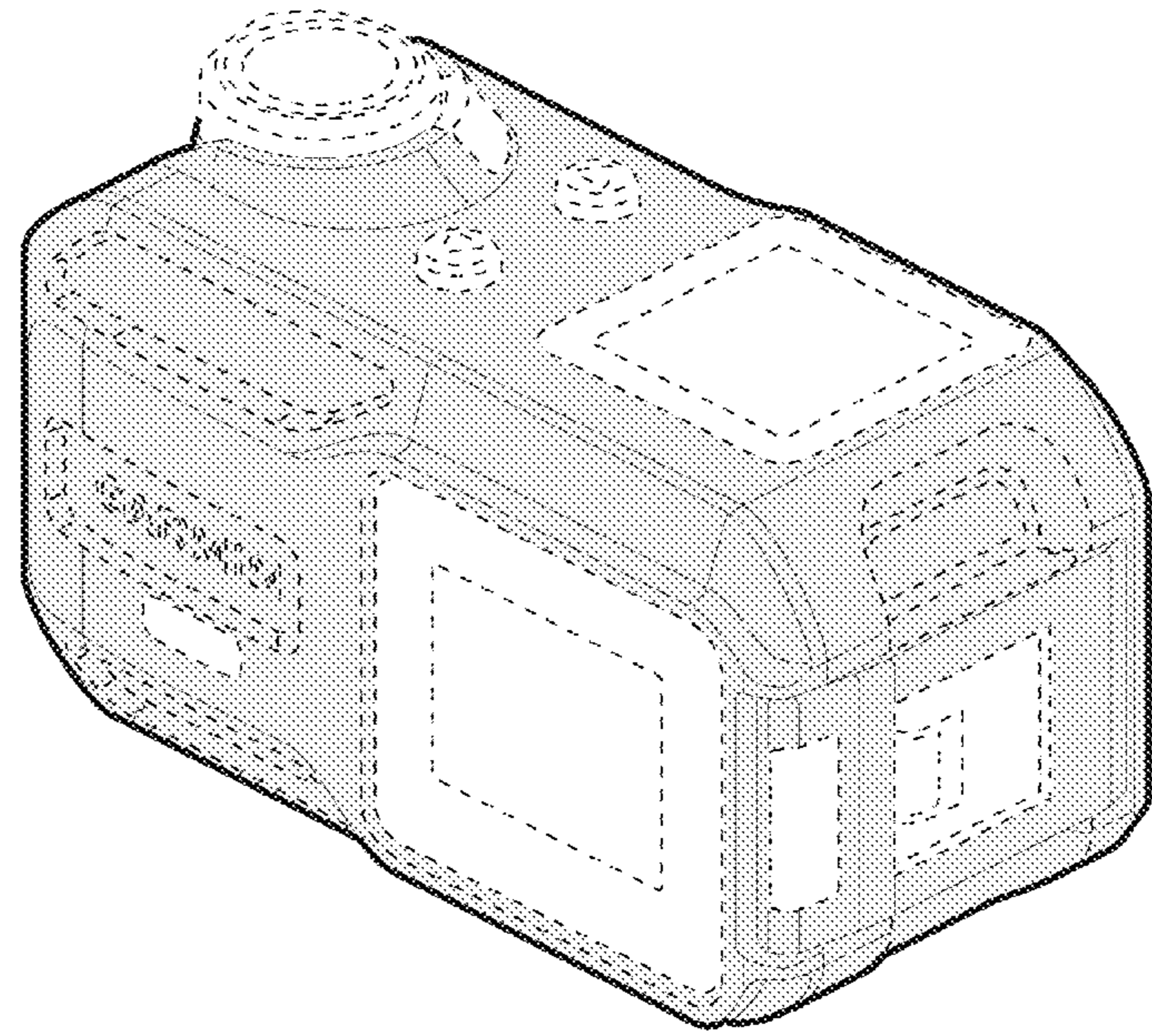


Fig. 2

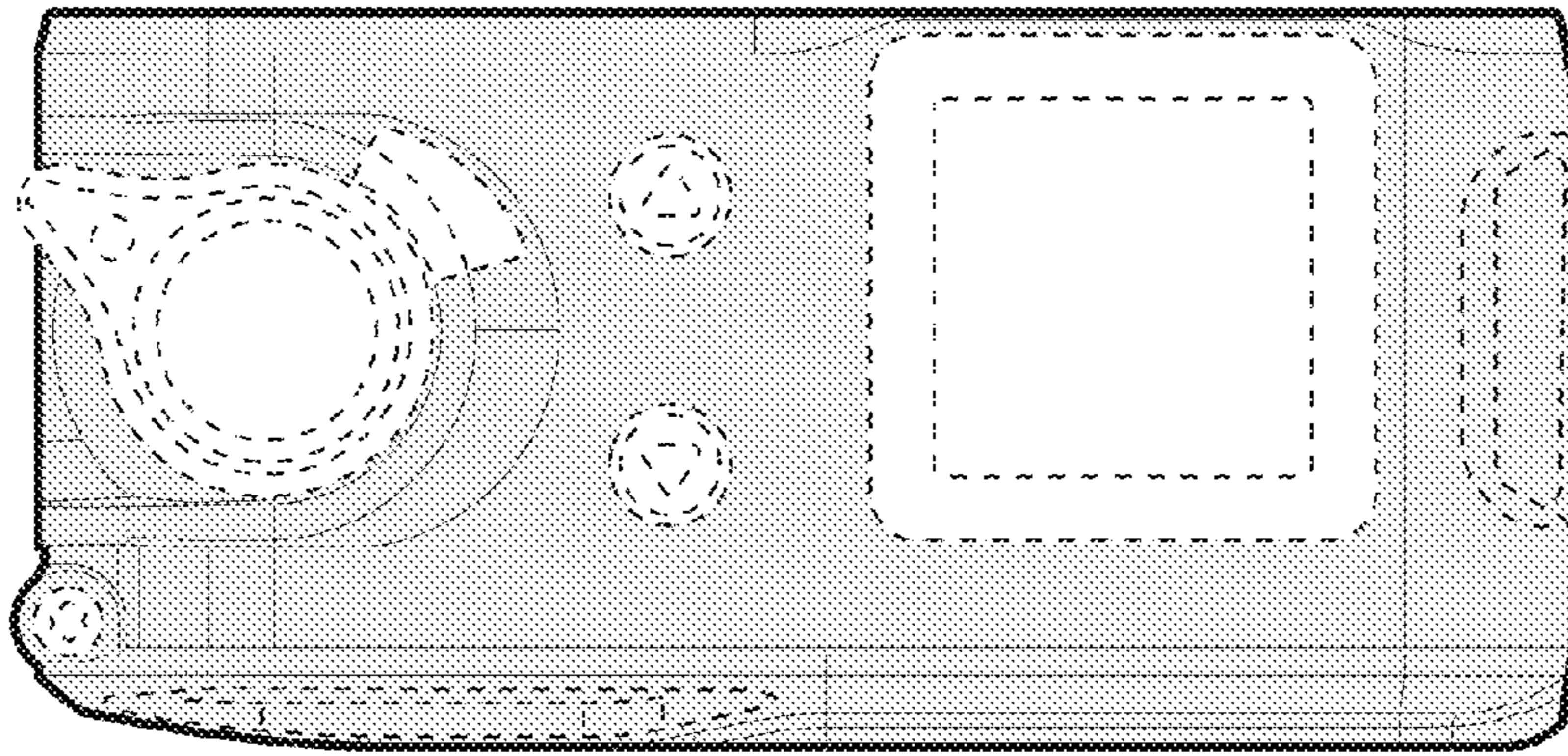


Fig. 3

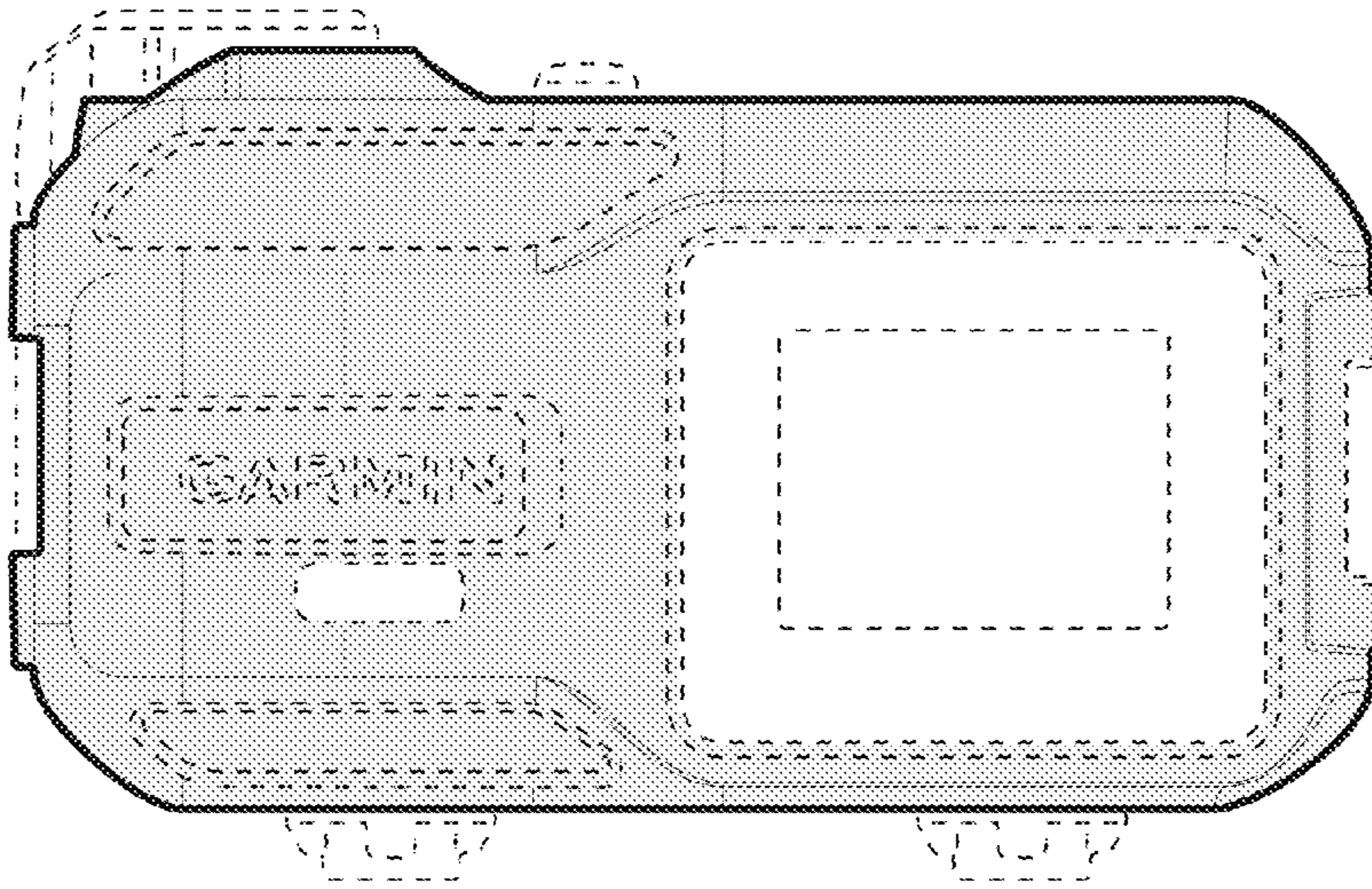


Fig. 4

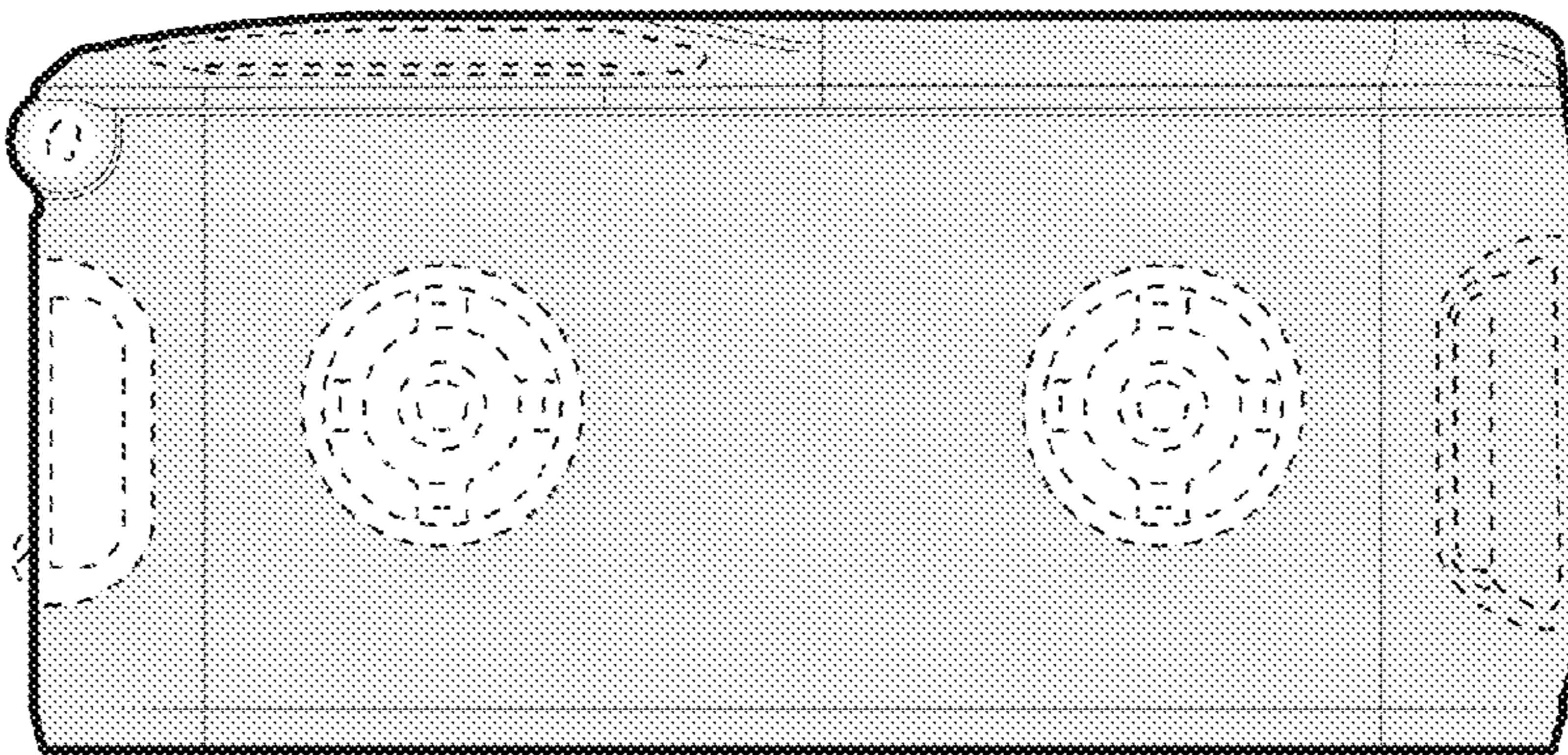


Fig. 5

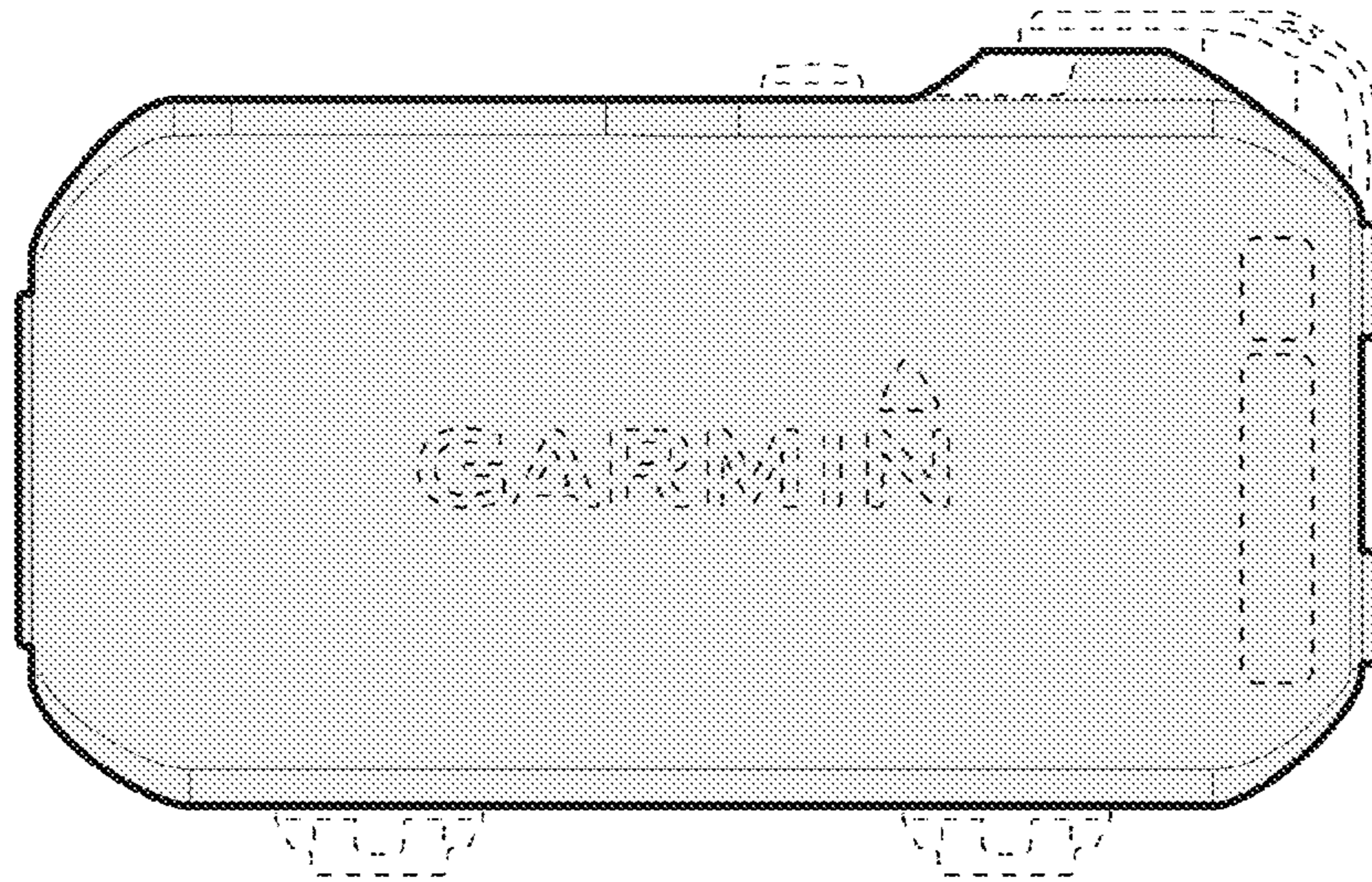


Fig. 6

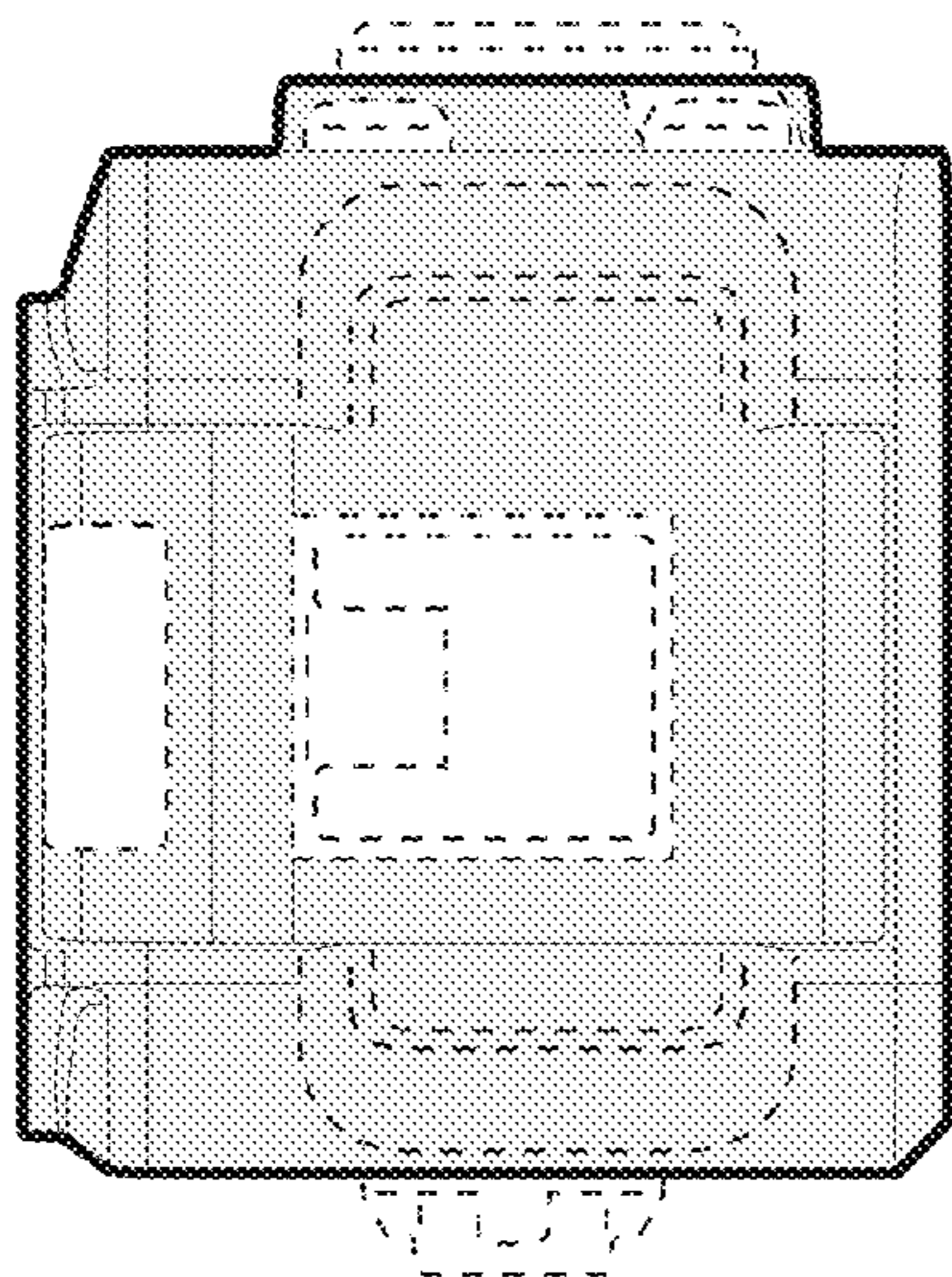


Fig. 7

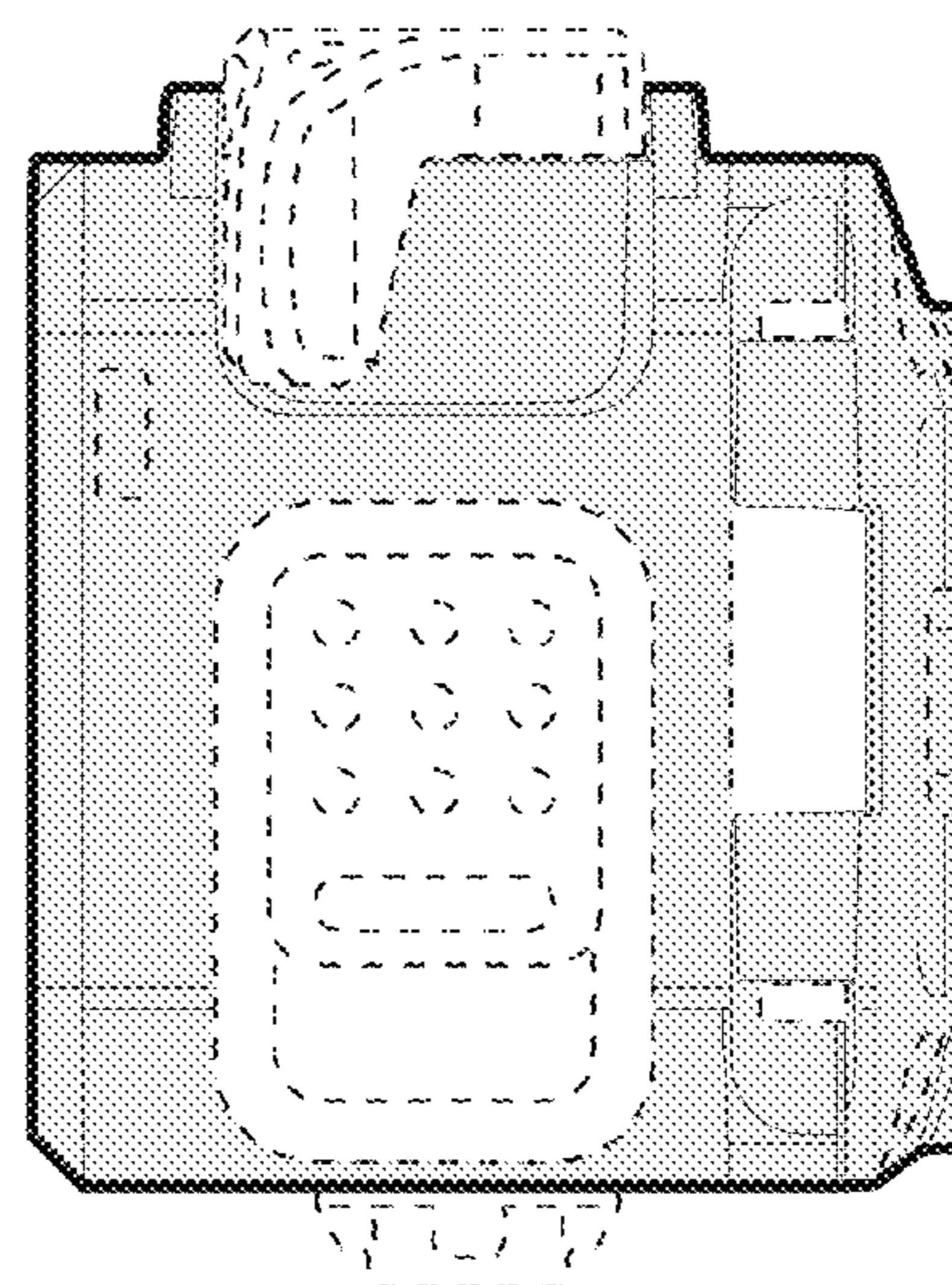


Fig. 8