



US00D755269S

(12) **United States Design Patent**
Pride

(10) **Patent No.:** **US D755,269 S**

(45) **Date of Patent:** **** May 3, 2016**

- (54) **OPTICAL SIGHT RETICLE**
- (71) Applicant: **John Pride**, San Dimas, CA (US)
- (72) Inventor: **John Pride**, San Dimas, CA (US)
- (**) Term: **14 Years**
- (21) Appl. No.: **29/487,517**

D567,325 S *	4/2008	Pride	D22/109
D567,326 S	4/2008	Pride et al.	
D567,896 S *	4/2008	Pride	D22/109
D570,441 S *	6/2008	Pride	D22/109
D580,509 S	11/2008	Peters et al.	
D583,898 S	12/2008	Peters et al.	
D584,376 S	1/2009	Peters et al.	
D587,333 S *	2/2009	Peters	D22/109
D609,769 S *	2/2010	Lacorte	D22/109
D613,362 S *	4/2010	Huber	D22/108

(Continued)

- (22) Filed: **Apr. 9, 2014**
- (51) **LOC (10) Cl.** **16-06**
- (52) **U.S. Cl.**
USPC **D16/130; D22/109**
- (58) **Field of Classification Search**
USPC D16/130, 132, 134, 136; D22/108, 109;
33/297, 298; 42/111, 113, 122, 130,
42/134-146; 235/414; 356/29, 139.02,
356/250, 251, 252; 359/424, 428
CPC F41G 1/38; F41G 1/473; F41G 3/06;
F41G 3/08
See application file for complete search history.

FOREIGN PATENT DOCUMENTS

CA 122768 * 3/2009

OTHER PUBLICATIONS

<http://www.rapidreticle.com/USO300BLK.php> Retrieved Nov. 24, 2015.*

Primary Examiner — Susan Bennett Hattan

Assistant Examiner — Leanne Was

(56) **References Cited**

U.S. PATENT DOCUMENTS

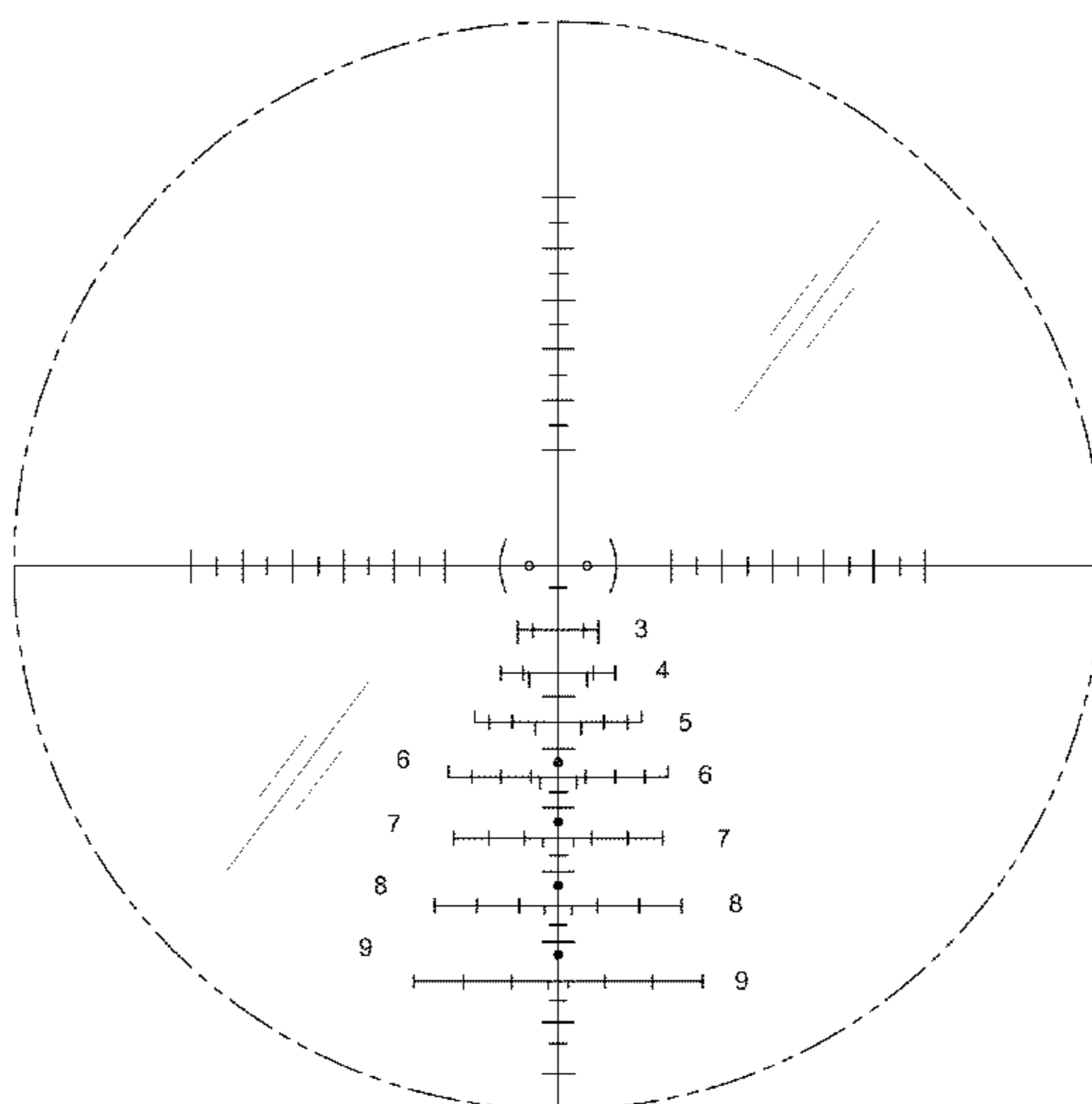
D306,173 S *	2/1990	Reese	D16/130
D397,704 S *	9/1998	Reese	D16/130
D403,686 S *	1/1999	Reese	D16/130
5,920,995 A *	7/1999	Sammur	F41G 1/38 42/122
D456,057 S *	4/2002	Smith, III	D22/108
6,516,699 B2 *	2/2003	Sammur	F41G 1/38 42/122
D506,520 S	6/2005	Timm et al.	
D517,153 S *	3/2006	Timm	D22/108
D522,030 S *	5/2006	Jenkinson	D16/130
D530,775 S *	10/2006	LaCorte	D22/108
D530,776 S *	10/2006	LaCorte	D22/108
D532,477 S *	11/2006	Zaderey	D16/130
D536,762 S *	2/2007	Timm	D22/109
D542,879 S	5/2007	Zaderey	
D544,511 S *	6/2007	Geurts	D16/130
D567,324 S *	4/2008	Pride	D22/109

(57) **CLAIM**
The ornamental design for an optical sight reticle, as shown and described.

DESCRIPTION

FIG. 1 is a front view of an optical sight reticle showing my new design, the dot dot dash lines depicting portions of the optical sight reticle that form no part of the claimed design; FIG. 2 is a rear view of the optical sight reticle, the dot dot dash lines depicting portions of the optical sight reticle that form no part of the claimed design; FIG. 3 is a right side view of the optical sight reticle and being the same as a left side view, top view and bottom view thereof, the dot dot dash lines depicting portions of the optical sight reticle that form no part of the claimed design; and, FIG. 4 is a front perspective view of the optical sight reticle, the dot dot dash lines depicting portions of the optical sight reticle that form no part of the claimed design.

1 Claim, 3 Drawing Sheets



(56)

References Cited

U.S. PATENT DOCUMENTS

D613,363 S *	4/2010	Huber	D22/109	D715,394 S *	10/2014	Young	D22/109
7,832,137 B2 *	11/2010	Sammut	F41G 1/473	8,910,412 B2 *	12/2014	Mikroulis	F41G 1/473
				235/404					42/133
7,836,626 B2 *	11/2010	Shepherd	F41G 1/44	8,959,824 B2 *	2/2015	Sammut	F41G 1/38
				42/119					42/122
7,856,750 B2 *	12/2010	Sammut	F41G 1/38	2002/0124452 A1 *	9/2002	Sammut	F41G 1/38
				42/122					42/122
D630,291 S *	1/2011	Pride	D22/109	2005/0021282 A1 *	1/2005	Sammut	F41G 1/38
D631,125 S *	1/2011	Huber	D22/109					702/150
D632,754 S *	2/2011	Pride	D22/109	2007/0044364 A1 *	3/2007	Sammut	F41G 1/473
D651,682 S *	1/2012	Beckett	D22/109					42/122
D654,136 S *	2/2012	Huber	D22/109	2008/0098640 A1 *	5/2008	Sammut	F41G 1/38
8,353,454 B2 *	1/2013	Sammut	F41G 1/38					42/122
				235/404	2014/0123534 A1 *	5/2014	Hodnett	F41G 1/38
D703,784 S *	4/2014	Smith	D22/109					42/122
					2014/0166751 A1 *	6/2014	Sammut	F41G 1/38
									235/404

* cited by examiner

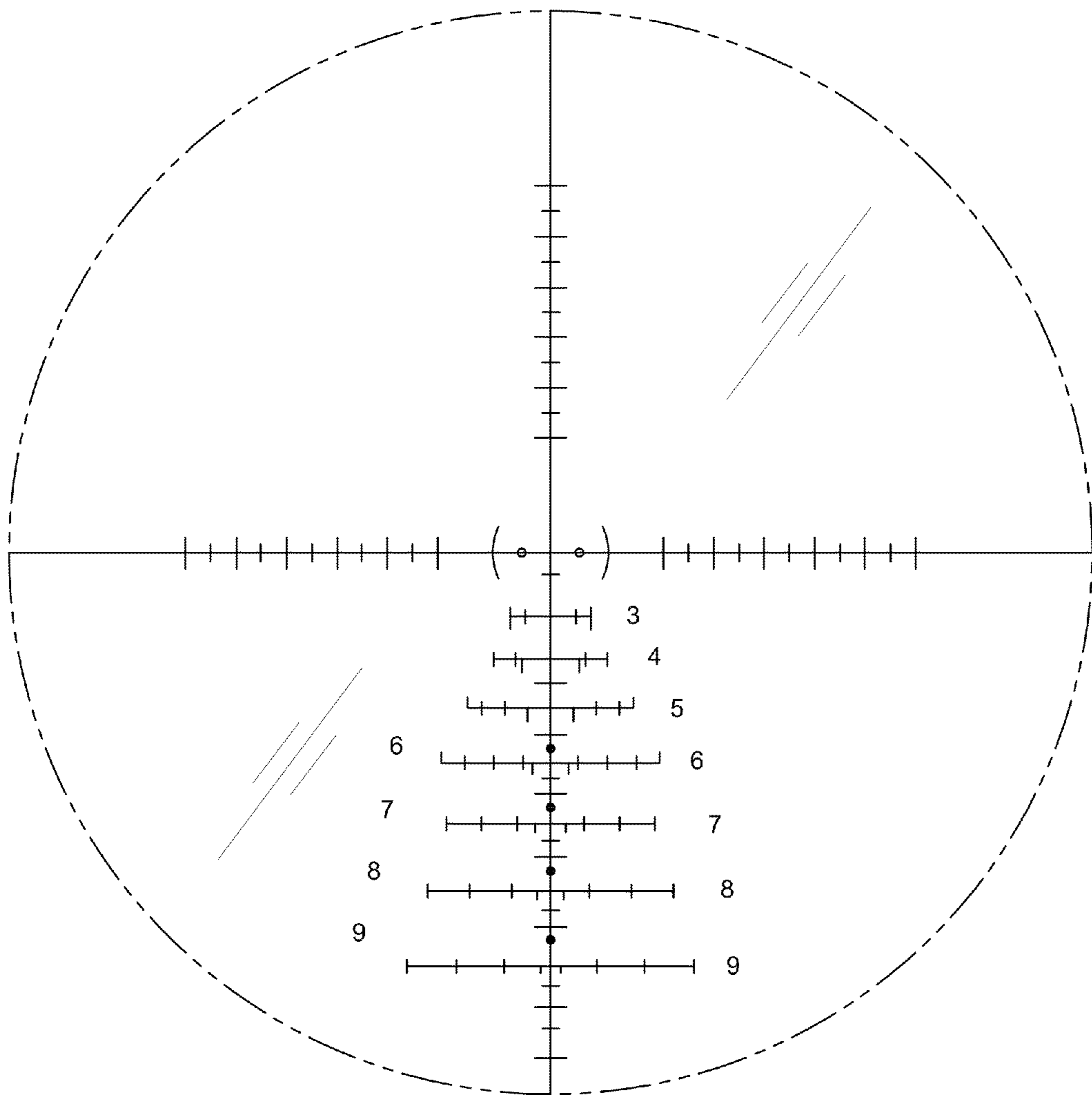


FIG. 1

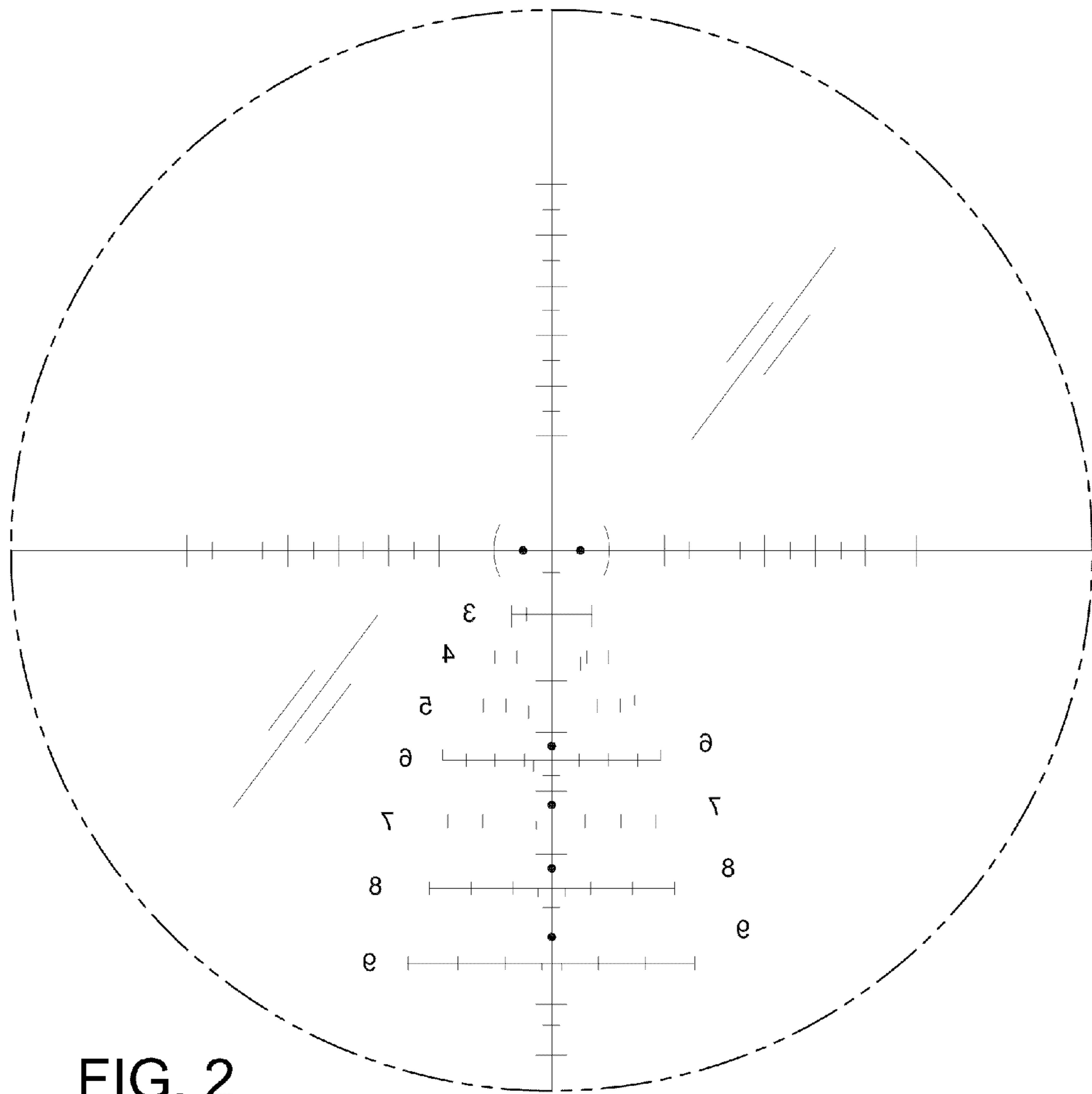


FIG. 2

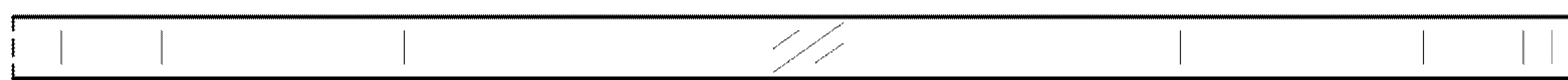


FIG. 3

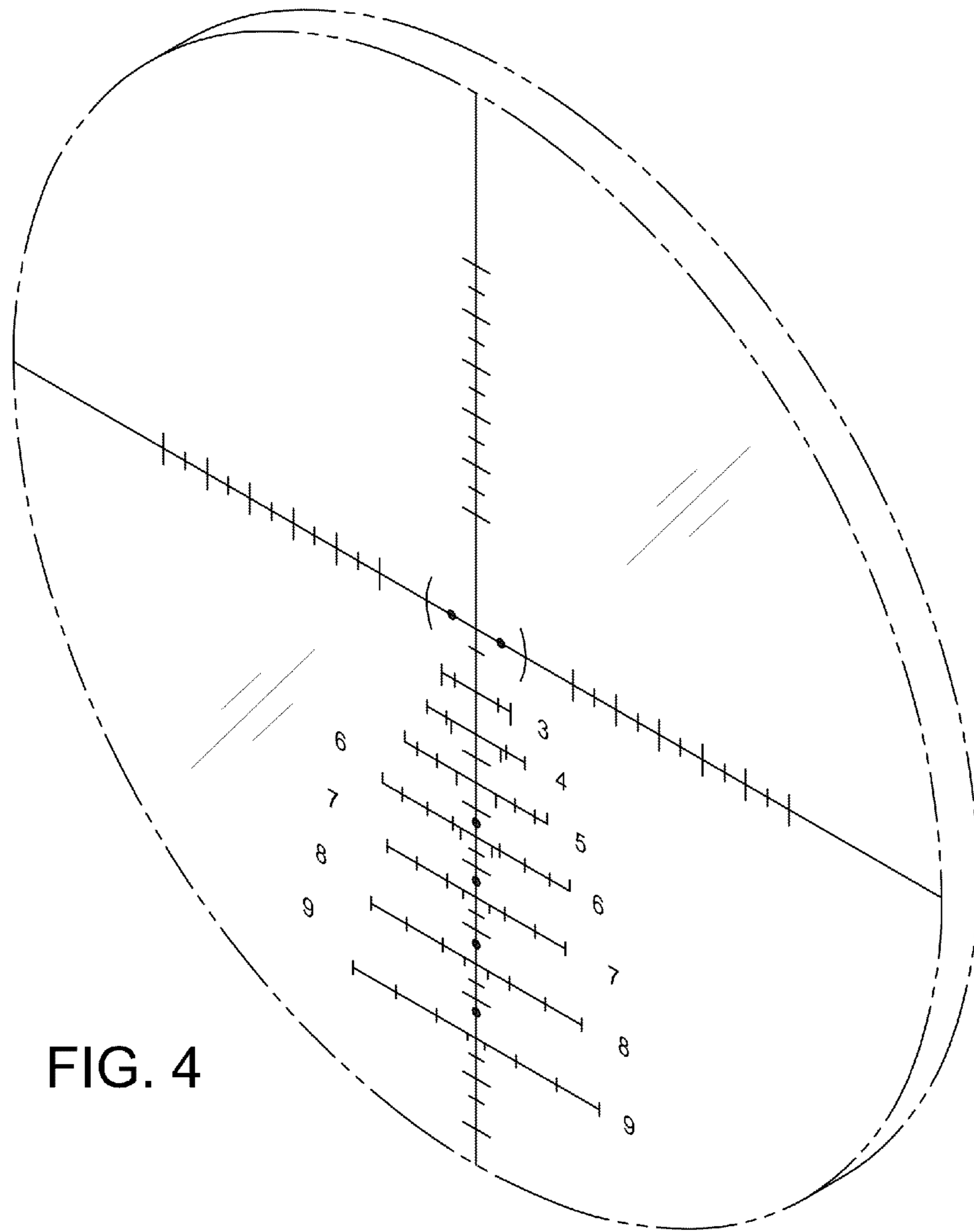


FIG. 4