



US00D755267S

(12) **United States Design Patent**
Lee

(10) **Patent No.:** **US D755,267 S**

(45) **Date of Patent:** **** May 3, 2016**

- (54) **CUTTING INSERT**
- (71) Applicant: **TaeguTec Ltd.**, Daegu (KR)
- (72) Inventor: **Young Ho Lee**, Daegu (KR)
- (73) Assignee: **TaeguTec Ltd.**, Daegu (KR)
- (**) Term: **14 Years**
- (21) Appl. No.: **29/511,418**
- (22) Filed: **Dec. 10, 2014**
- (51) **LOC (10) Cl.** **15-09**
- (52) **U.S. Cl.**
USPC **D15/139**
- (58) **Field of Classification Search**
USPC D15/124–144; D8/16–20, 70, 90, 98;
409/137, 139–140; 407/114, 59
CPC B23C 2200/0494; B23C 2200/086;
B23C 2200/128; B23C 2200/362; B23C 5/15;
B23C 5/06; B23C 5/207; B23C 2200/367;
B23C 2200/0422; B23B 27/007; B23B
27/143; B23B 2200/321; B23B 2200/087;
B23B 2200/201

See application file for complete search history.

(56) **References Cited**

U.S. PATENT DOCUMENTS

- 6,238,146 B1 * 5/2001 Satran B23C 5/08
407/113
- D572,279 S * 7/2008 Takanashi D15/139
- D579,470 S * 10/2008 Maeta D15/139
- D585,467 S * 1/2009 Takanashi D15/139
- 2005/0214081 A1 * 9/2005 Satran B23C 5/06
407/113

- 2006/0045636 A1 * 3/2006 Johnson B23C 5/06
407/42
- 2012/0195700 A1 * 8/2012 Chen B23C 5/06
407/40
- 2013/0266392 A1 * 10/2013 Lee B23C 3/06
409/234
- 2013/0336735 A1 * 12/2013 Nam B23C 5/06
407/113
- 2014/0298967 A1 * 10/2014 Ishi B23C 5/207
83/13
- 2015/0071717 A1 * 3/2015 Morrison B23C 5/207
407/51
- 2015/0117969 A1 * 4/2015 Brunetto B23C 5/207
407/42
- 2015/0231711 A1 * 8/2015 Matsubara B23C 5/207
407/40

* cited by examiner

Primary Examiner — Susan Bennett Hattan

Assistant Examiner — Brett Miller

(74) *Attorney, Agent, or Firm* — Hamre, Schumann, Mueller & Larson, P.C.

(57) **CLAIM**

The ornamental design for a cutting insert, as shown.

DESCRIPTION

FIG. 1 is a perspective view from the top, front, and left of a cutting insert; the bottom, rear, and right perspective is identical, showing my new design;
 FIG. 2 is a top plan view thereof;
 FIG. 3 is a bottom plan view thereof;
 FIG. 4 is a left side view thereof;
 FIG. 5 is a right side view thereof;
 FIG. 6 is a rear elevational view thereof; and,
 FIG. 7 is a front elevational view thereof.

1 Claim, 4 Drawing Sheets

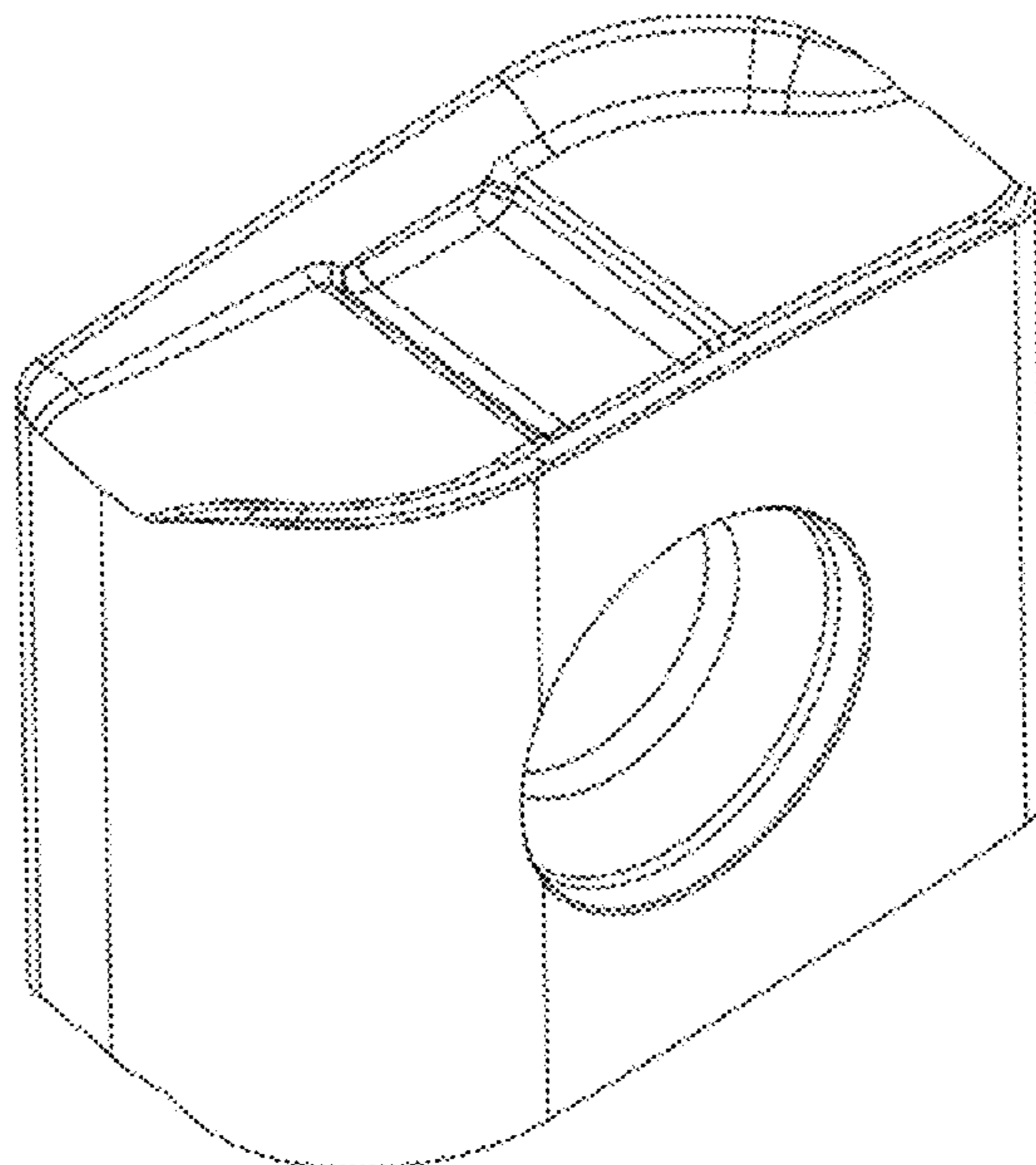


Fig. 1

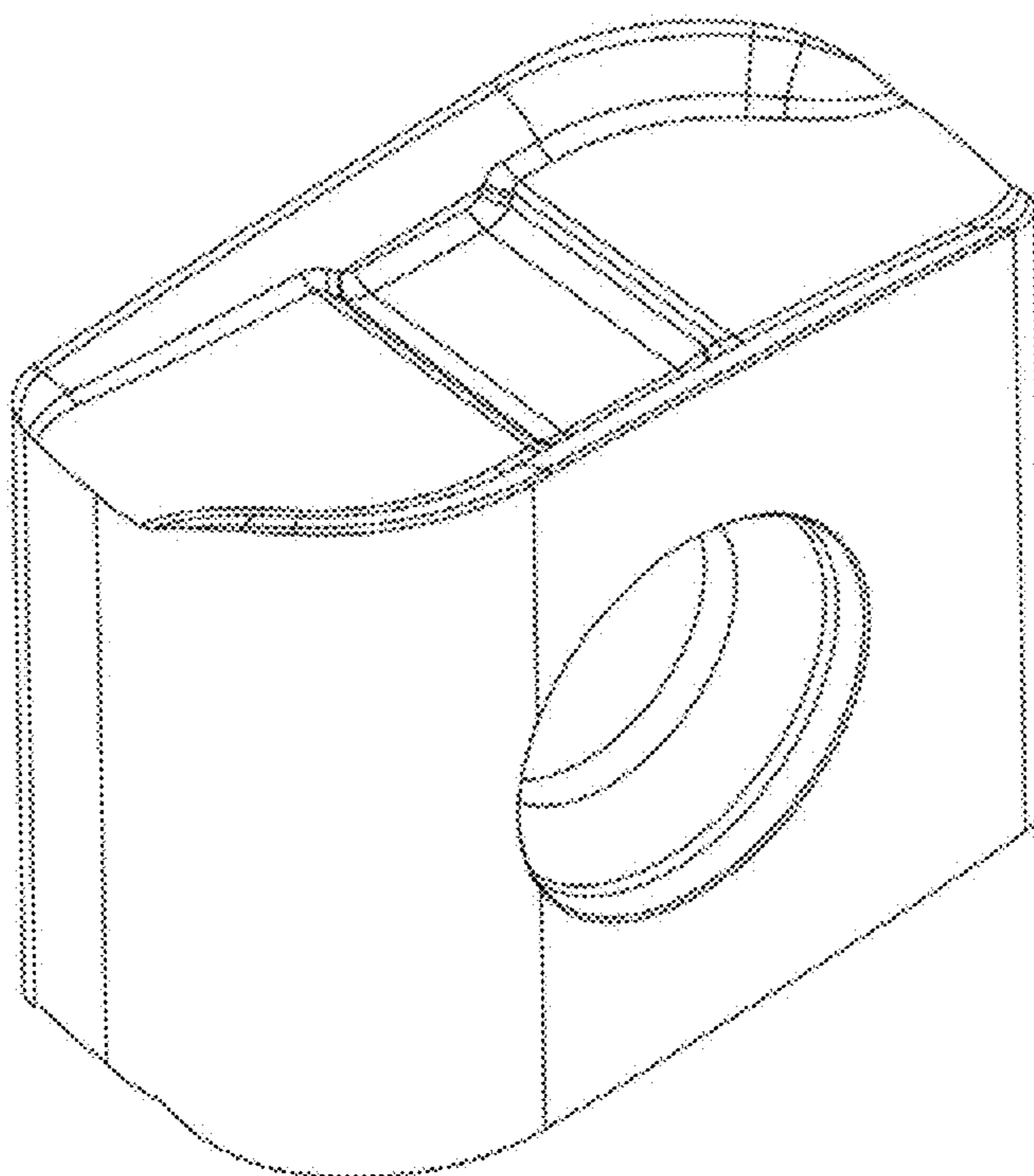


Fig. 2

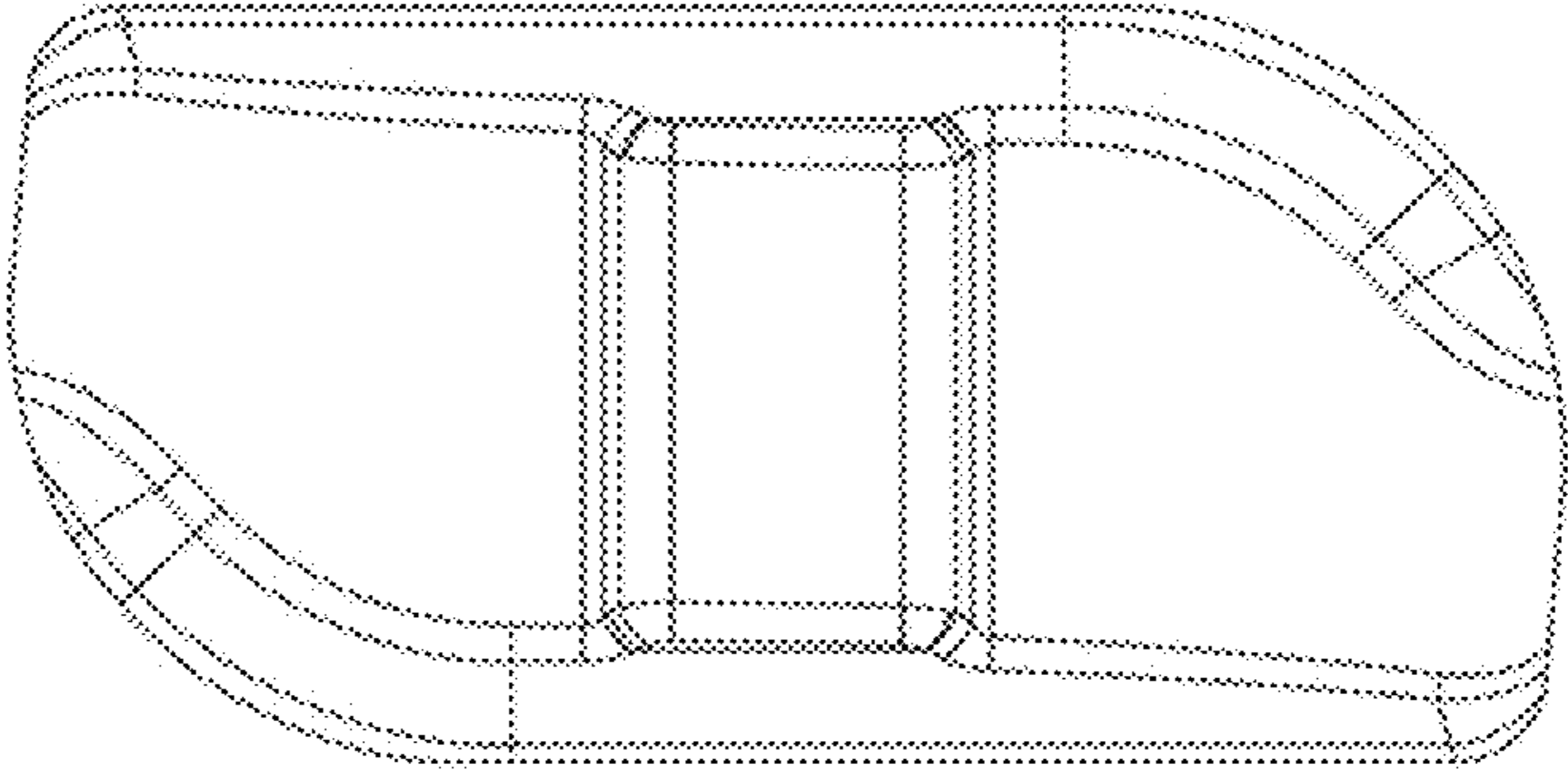


Fig. 3

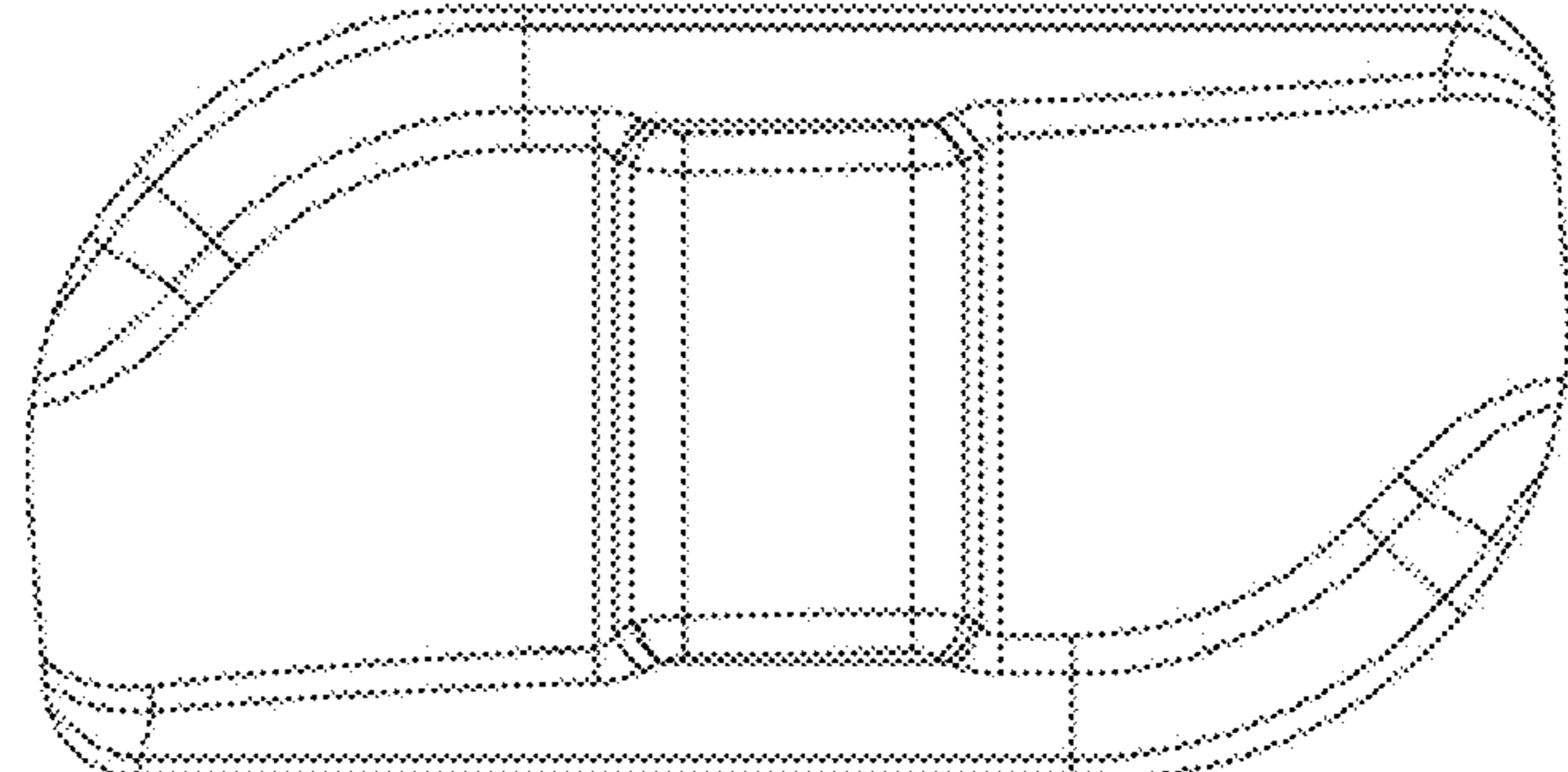


Fig. 4

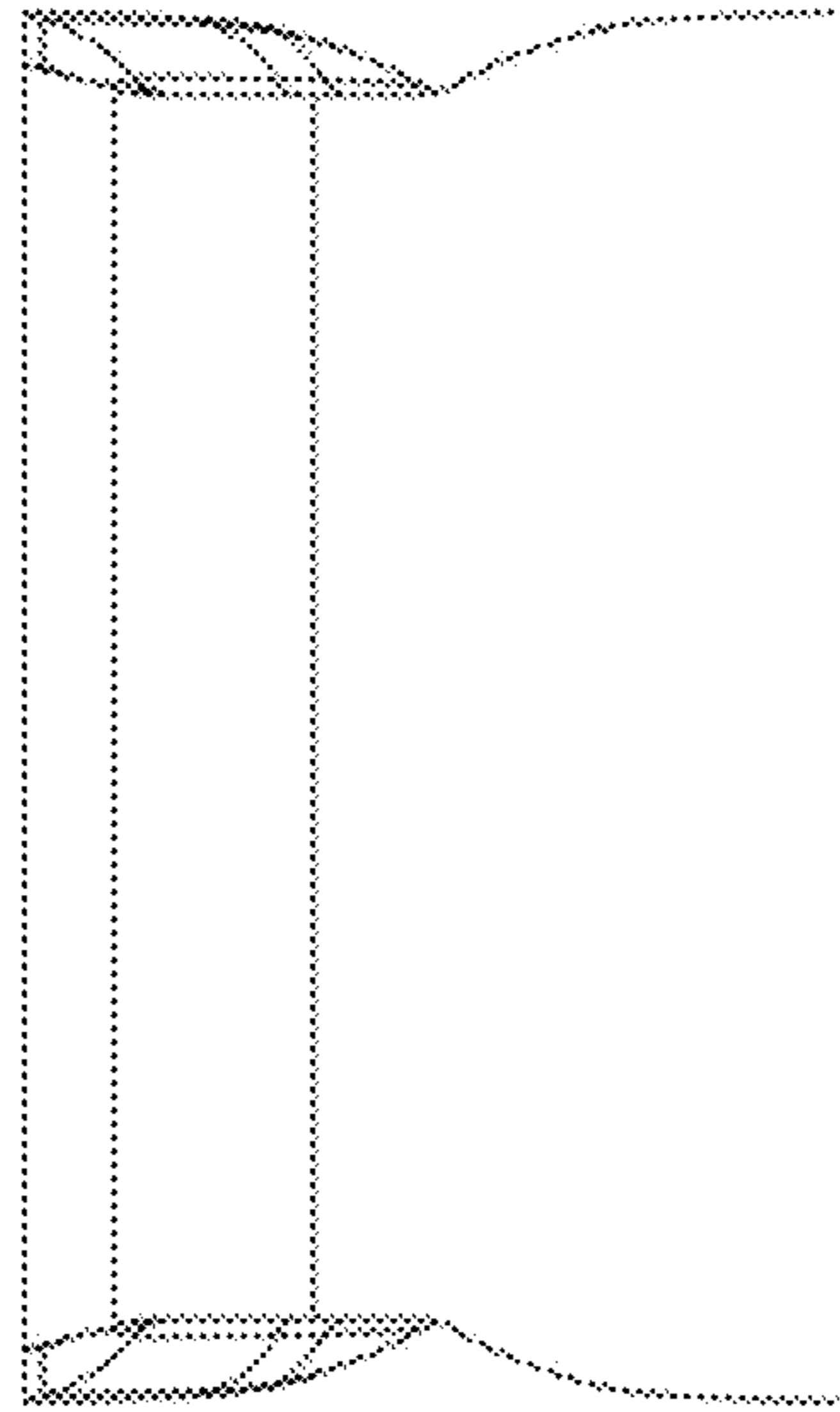


Fig. 5

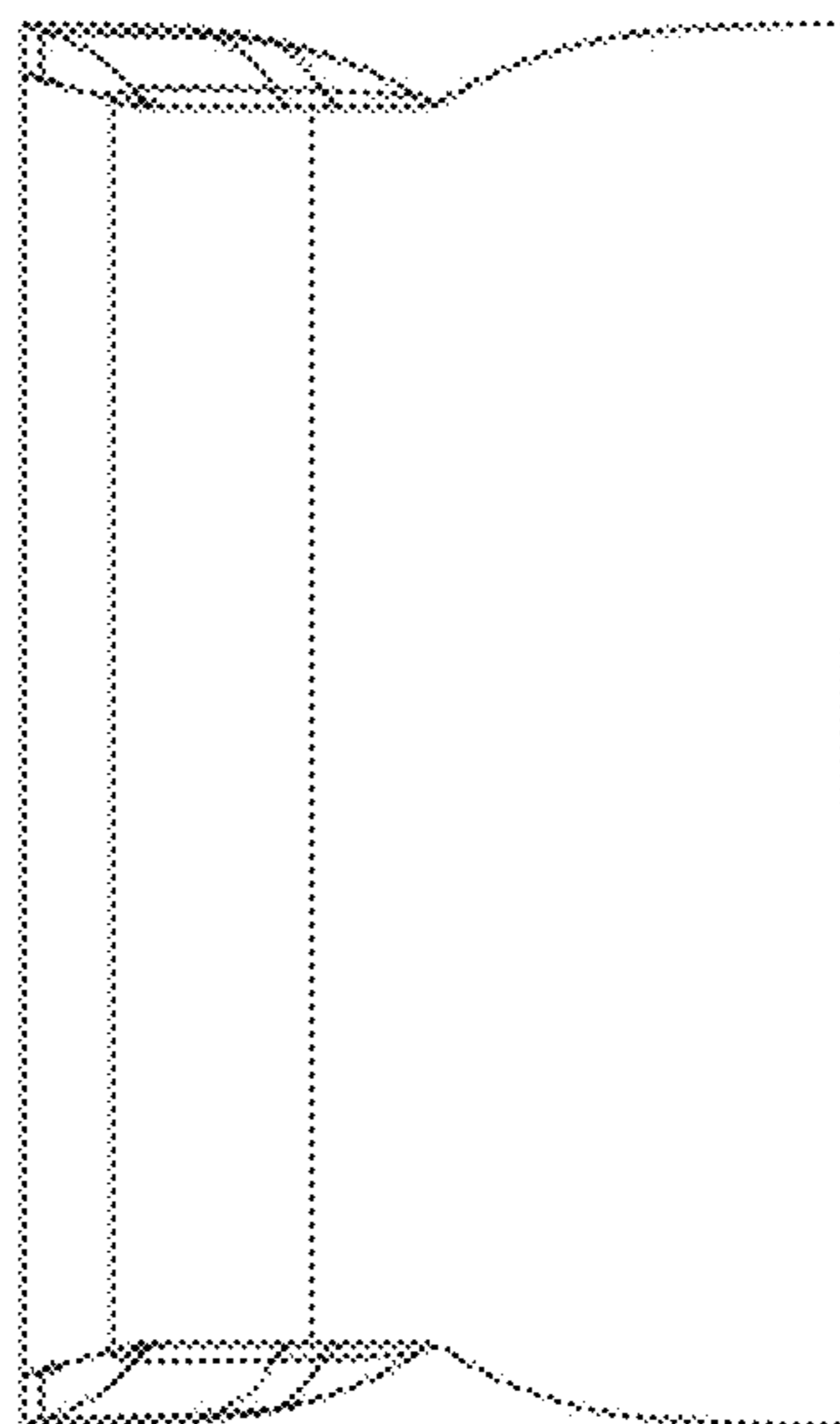


Fig. 6

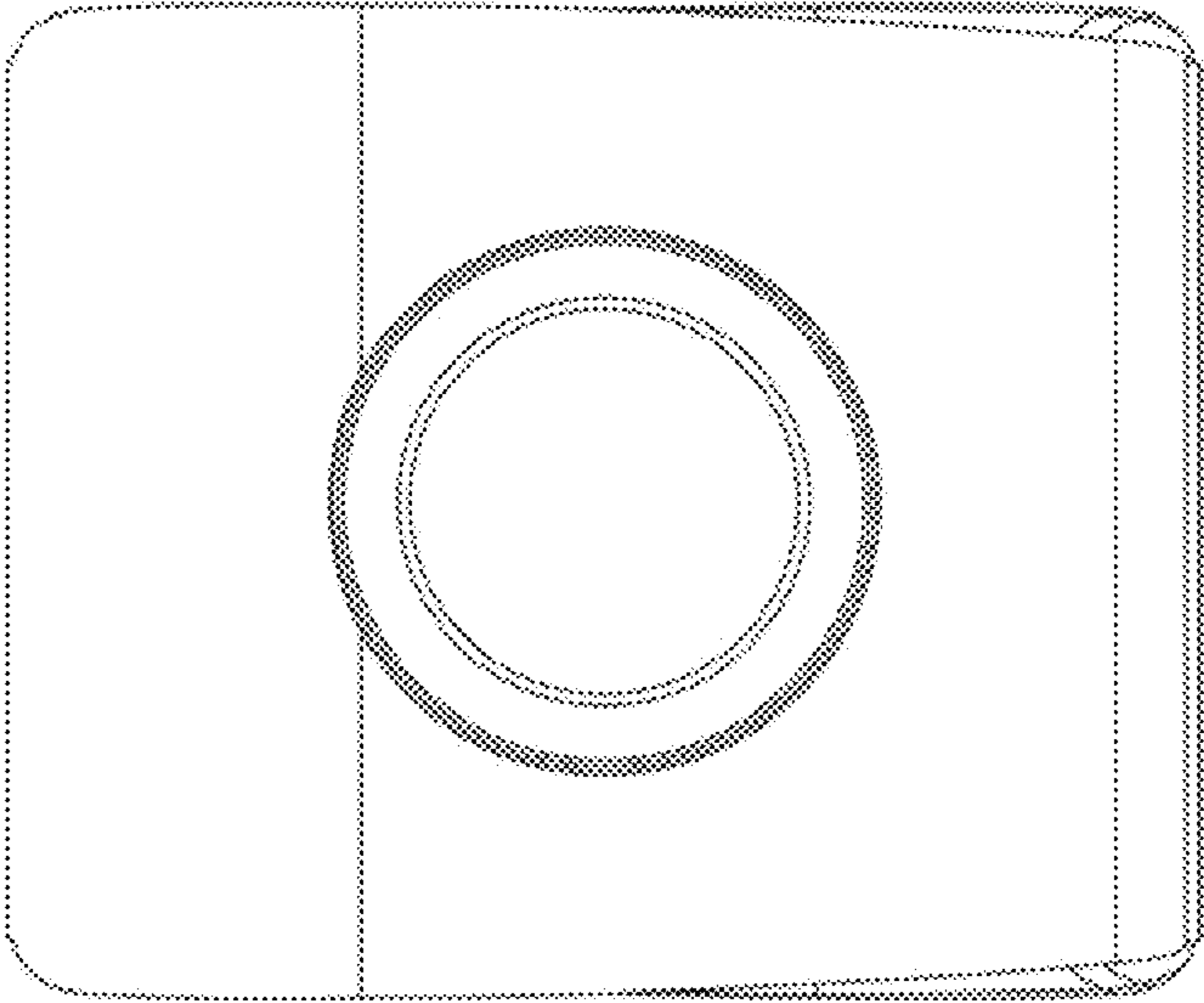


Fig. 7

