



US00D755264S

(12) **United States Design Patent**
Oetlinger

(10) **Patent No.:** **US D755,264 S**
(45) **Date of Patent:** **** May 3, 2016**

- (54) **CORNER PIECE**
- (71) Applicant: **Blanking Systems, Inc.**, Grafton, WI (US)
- (72) Inventor: **Frank E. Oetlinger**, Grafton, WI (US)
- (73) Assignee: **Blanking Systems, Inc.**, Grafton, WI (US)
- (**) Term: **14 Years**
- (21) Appl. No.: **29/461,090**
- (22) Filed: **Jul. 18, 2013**

6,390,719	B1	5/2002	Chan
6,708,858	B2	3/2004	Oetlinger
6,712,254	B2	3/2004	Oetlinger
6,715,953	B2	4/2004	Oetlinger et al.
6,722,811	B2	4/2004	Oetlinger
D490,295	S	5/2004	Neider et al.
6,769,342	B2	8/2004	Oetlinger
6,796,474	B2	9/2004	Oetlinger
6,904,837	B2	6/2005	Oetlinger
6,942,132	B2	9/2005	Oetlinger
6,997,364	B2	2/2006	Oetlinger
7,143,916	B2	12/2006	Oetlinger

(Continued)

FOREIGN PATENT DOCUMENTS

JP	2004-060789	2/2004
WO	03070437	8/2003

Primary Examiner — Patricia Palasik

(74) *Attorney, Agent, or Firm* — Boyle Fredrickson, S.C.

Related U.S. Application Data

- (62) Division of application No. 29/389,608, filed on Apr. 14, 2011, now Pat. No. Des. 692,469.
- (51) **LOC (10) Cl.** **15-09**
- (52) **U.S. Cl.**
USPC **D15/138**
- (58) **Field of Classification Search**
USPC D8/349, 354, 382, 400; D12/223;
D15/138, 140; 83/103, 468.1, 468.2,
83/468.7, 698.41, 698.51, 698.61, 699.31,
83/701, 859; 225/97; 403/110, 374.3, 393,
403/402; 493/73, 76
See application file for complete search history.

(57) **CLAIM**

The ornamental design for a corner piece, as shown and described.

DESCRIPTION

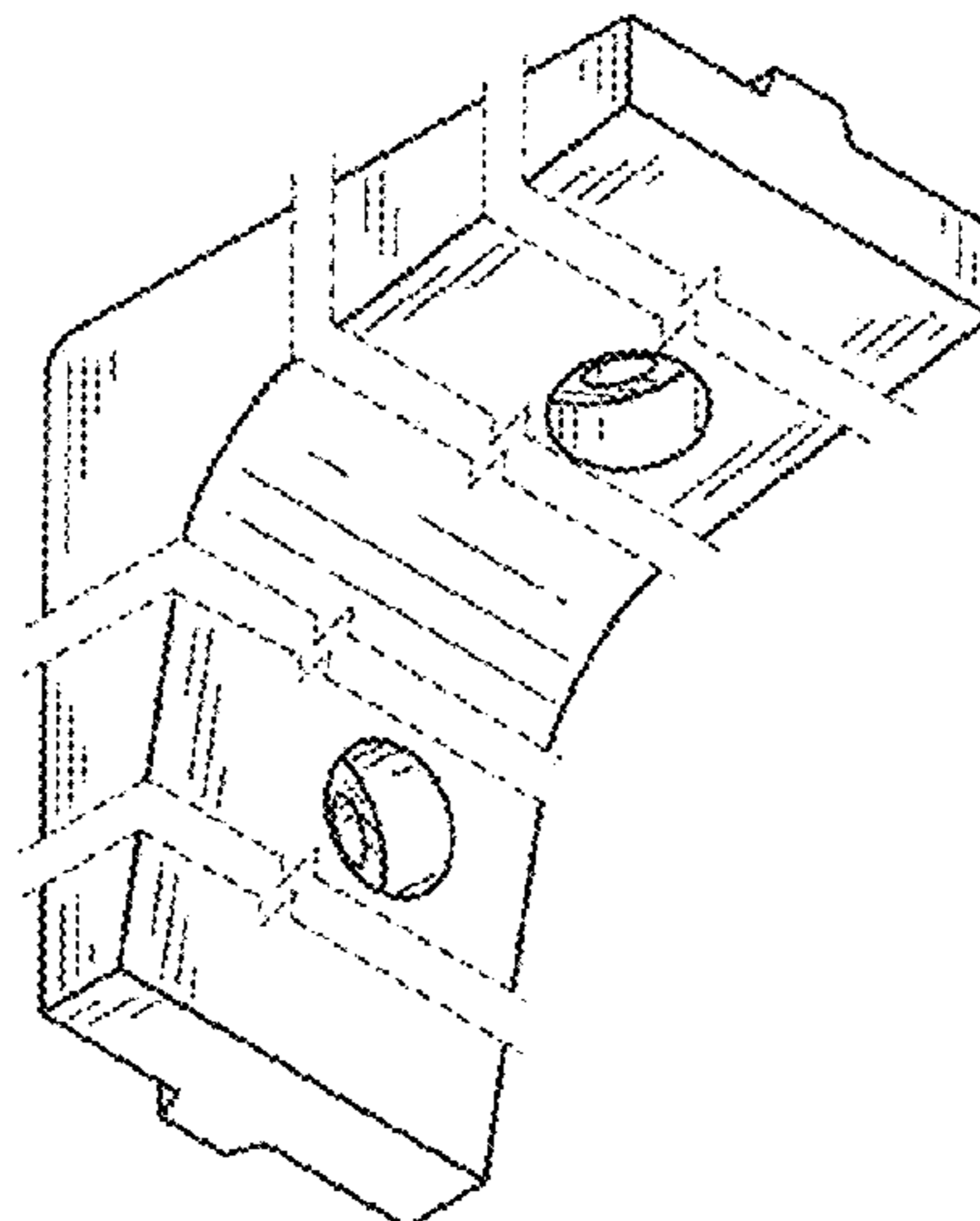
FIG. 1 is an isometric view of a corner piece in accordance with the present invention;
 FIG. 2 is a front elevational view of the corner piece of FIG. 1;
 FIG. 3 is a rear elevational view of the corner piece of FIG. 1;
 FIG. 4 is a top plan view of the corner piece of FIG. 1;
 FIG. 5 is a bottom plan view of the corner piece of FIG. 1;
 FIG. 6 is a side elevational view of a first side of the corner piece of FIG. 1; and,
 FIG. 7 is a side devotional view of a second side of the corner piece of FIG. 1.
 The broken away symbols in the drawings indicate that the appearance of any portion of the article between the break lines forms no part of the claimed design.

(56) **References Cited**

U.S. PATENT DOCUMENTS

4,017,199	A	4/1977	Strassle
D342,662	S	12/1993	Lavin, Sr.
5,337,641	A	8/1994	Duginske
5,443,554	A	8/1995	Robert
5,671,580	A	9/1997	Chou
5,768,966	A	6/1998	Duginske
5,845,555	A	12/1998	Dawley
6,116,131	A	9/2000	Fasske

1 Claim, 2 Drawing Sheets



(56)

References Cited

U.S. PATENT DOCUMENTS

7,182,235 B2 2/2007 Oetlinger
7,185,797 B2 3/2007 Oetlinger et al.
D628,539 S 12/2010 Tezak et al.

7,992,752 B2 8/2011 Oetlinger
D654,936 S * 2/2012 Oetlinger D15/138
D692,469 S * 10/2013 Oetlinger D15/138
D706,321 S * 6/2014 Oetlinger D15/138

* cited by examiner

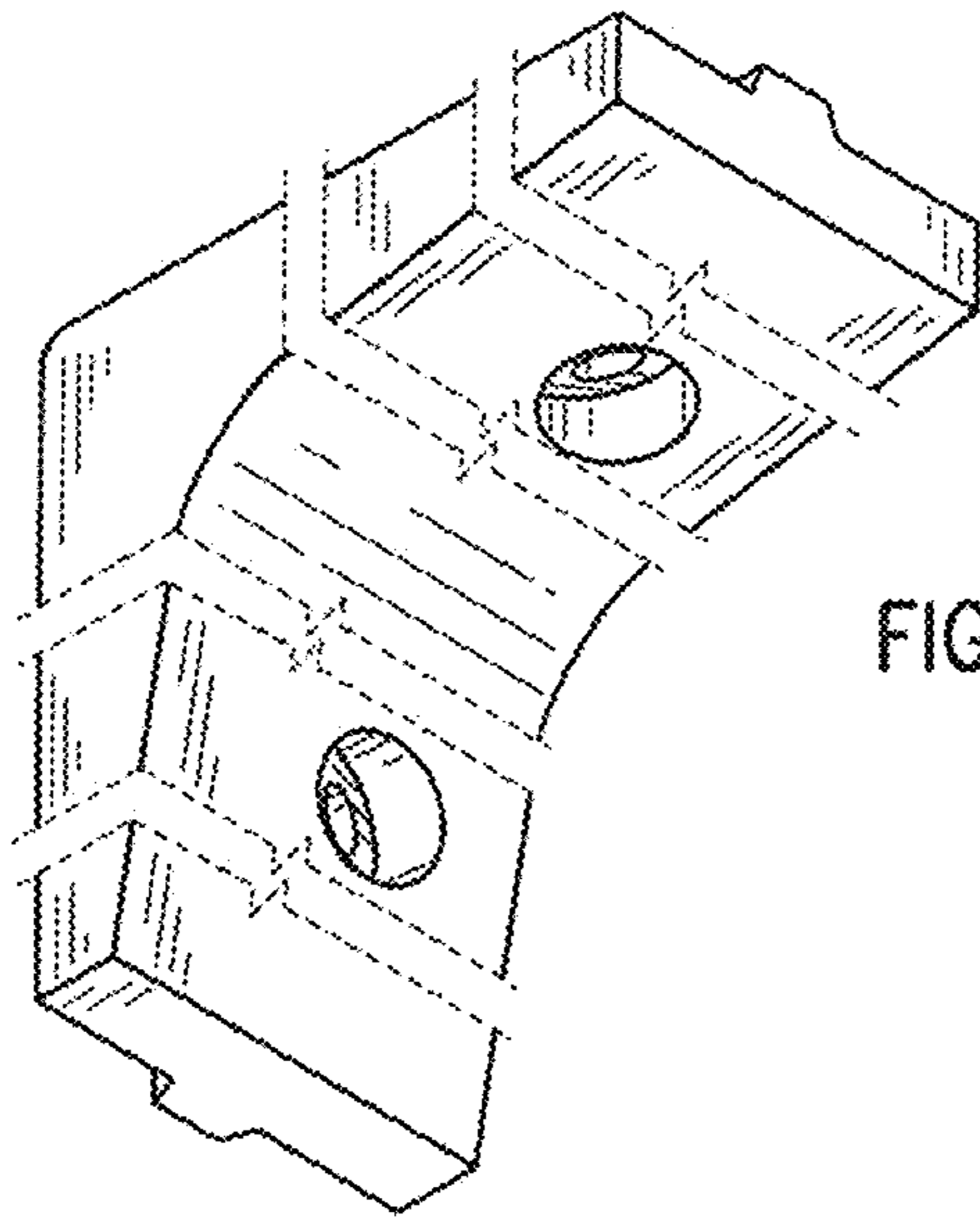


FIG. 1

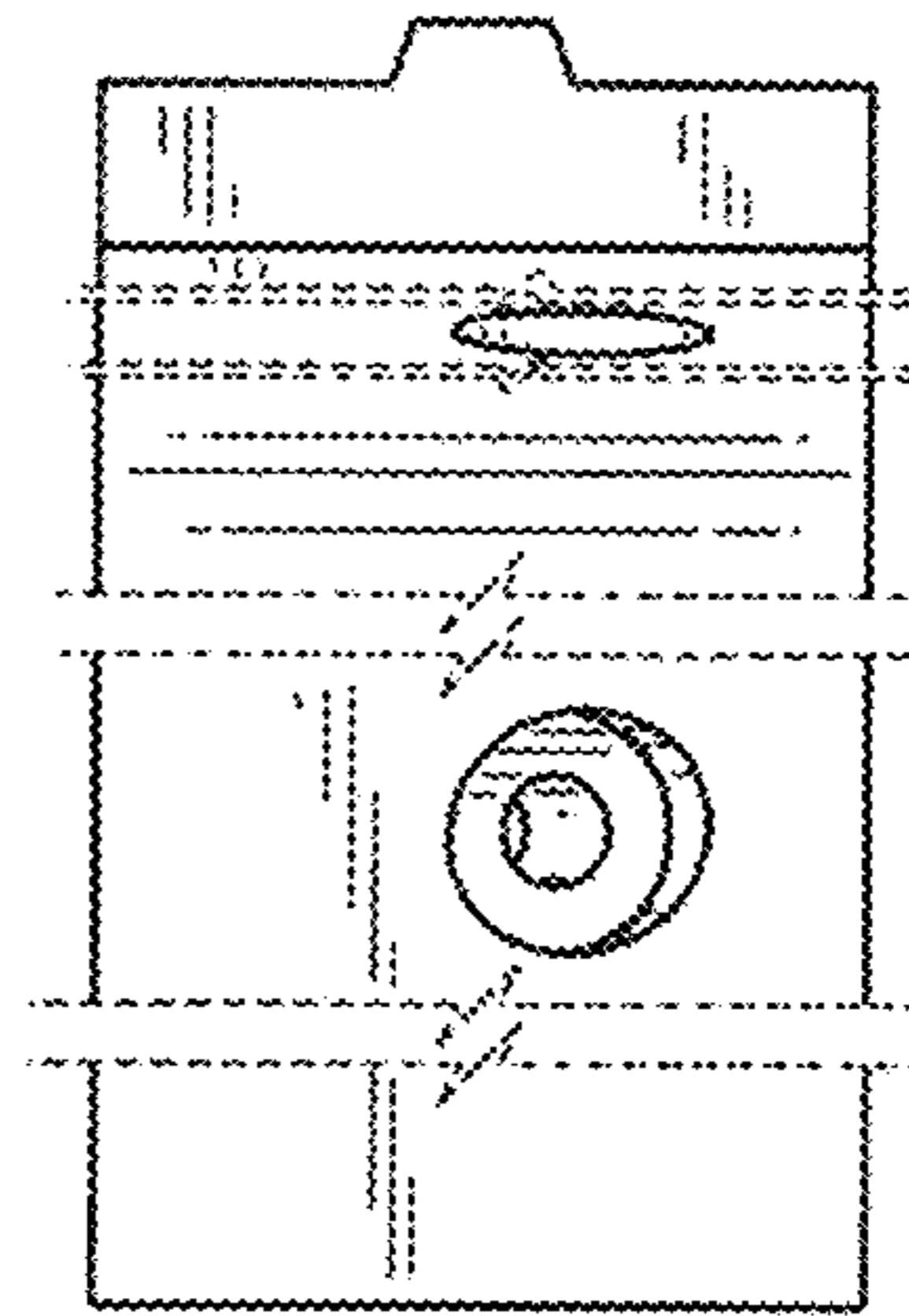


FIG. 2

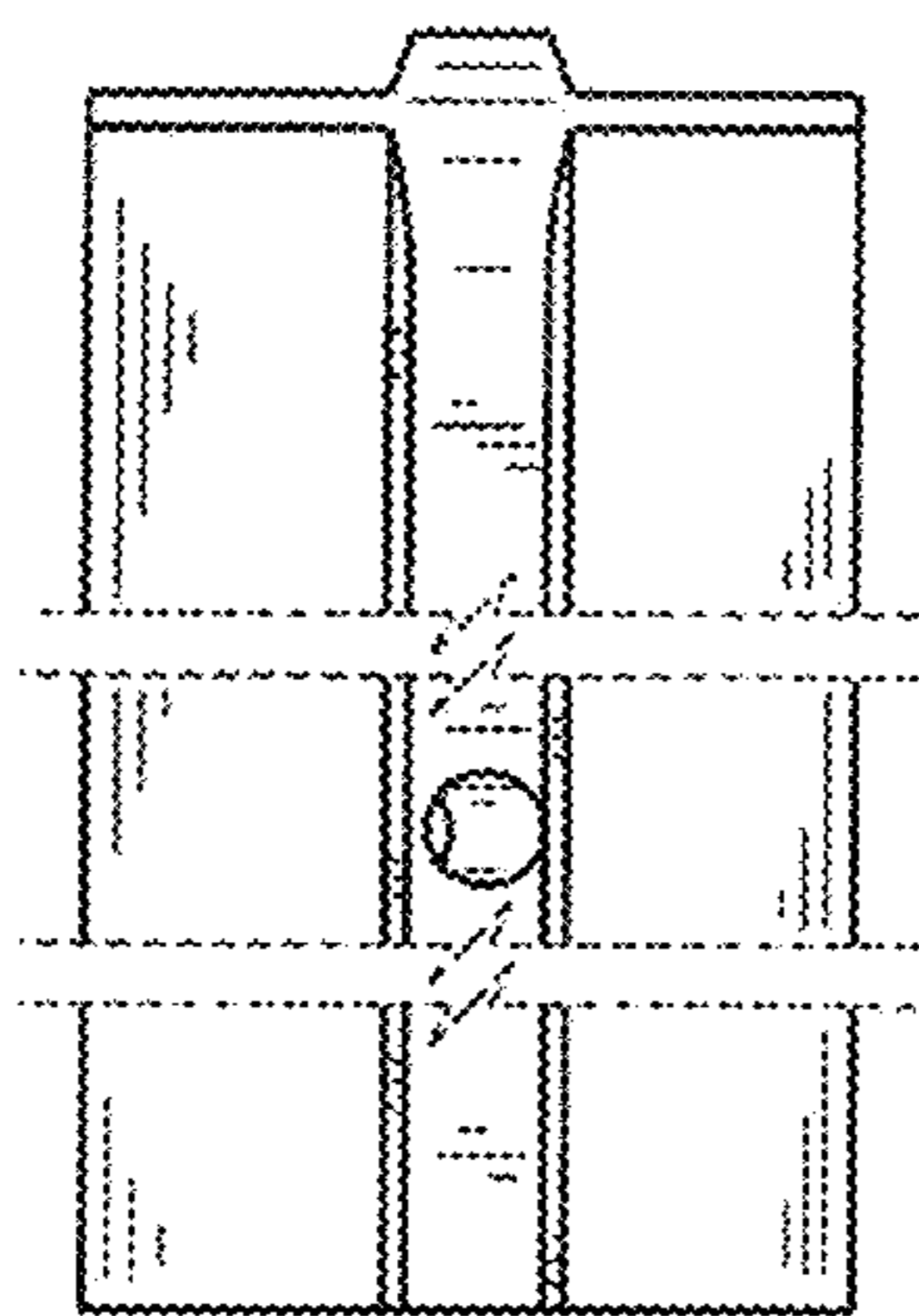


FIG. 3

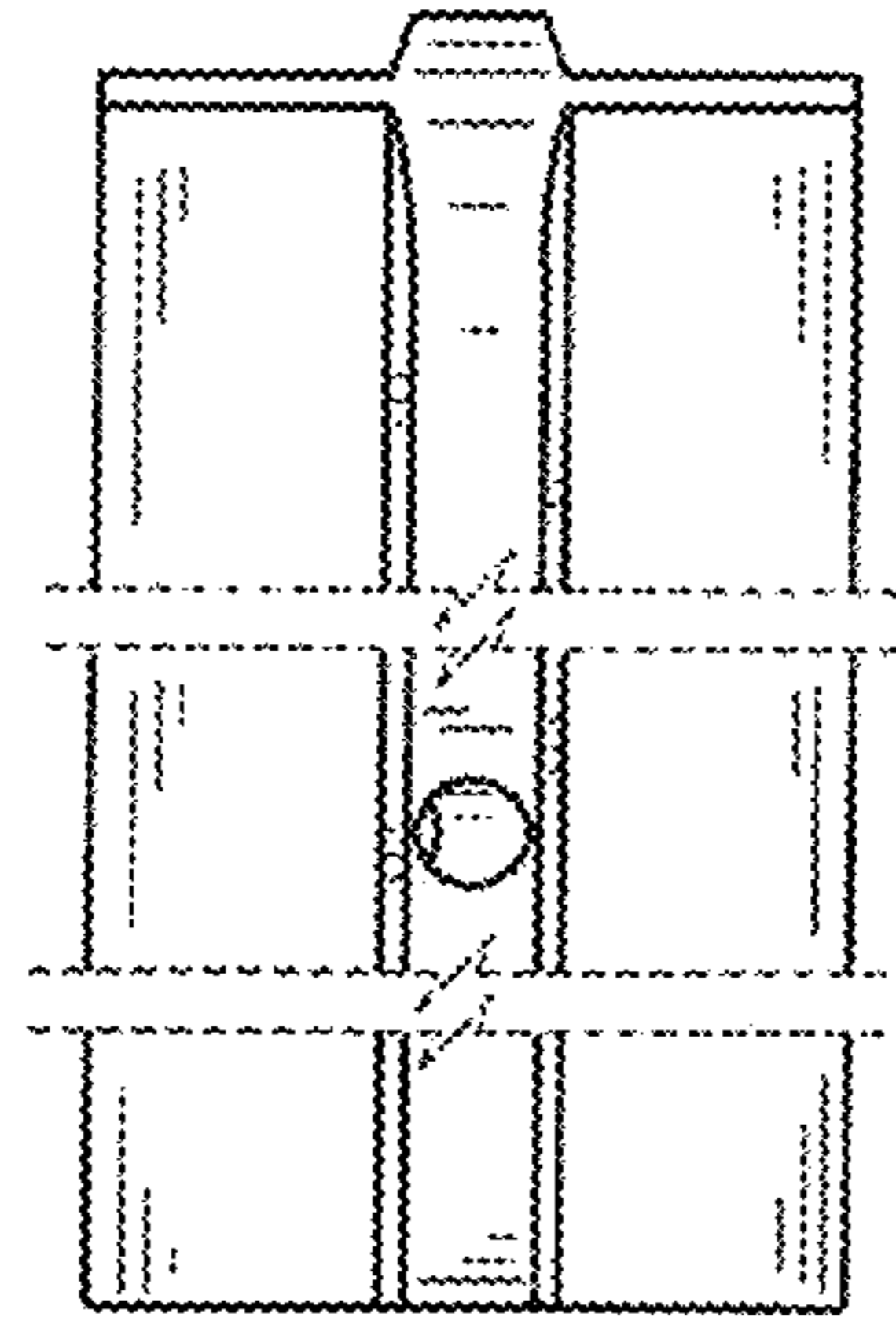


FIG. 4

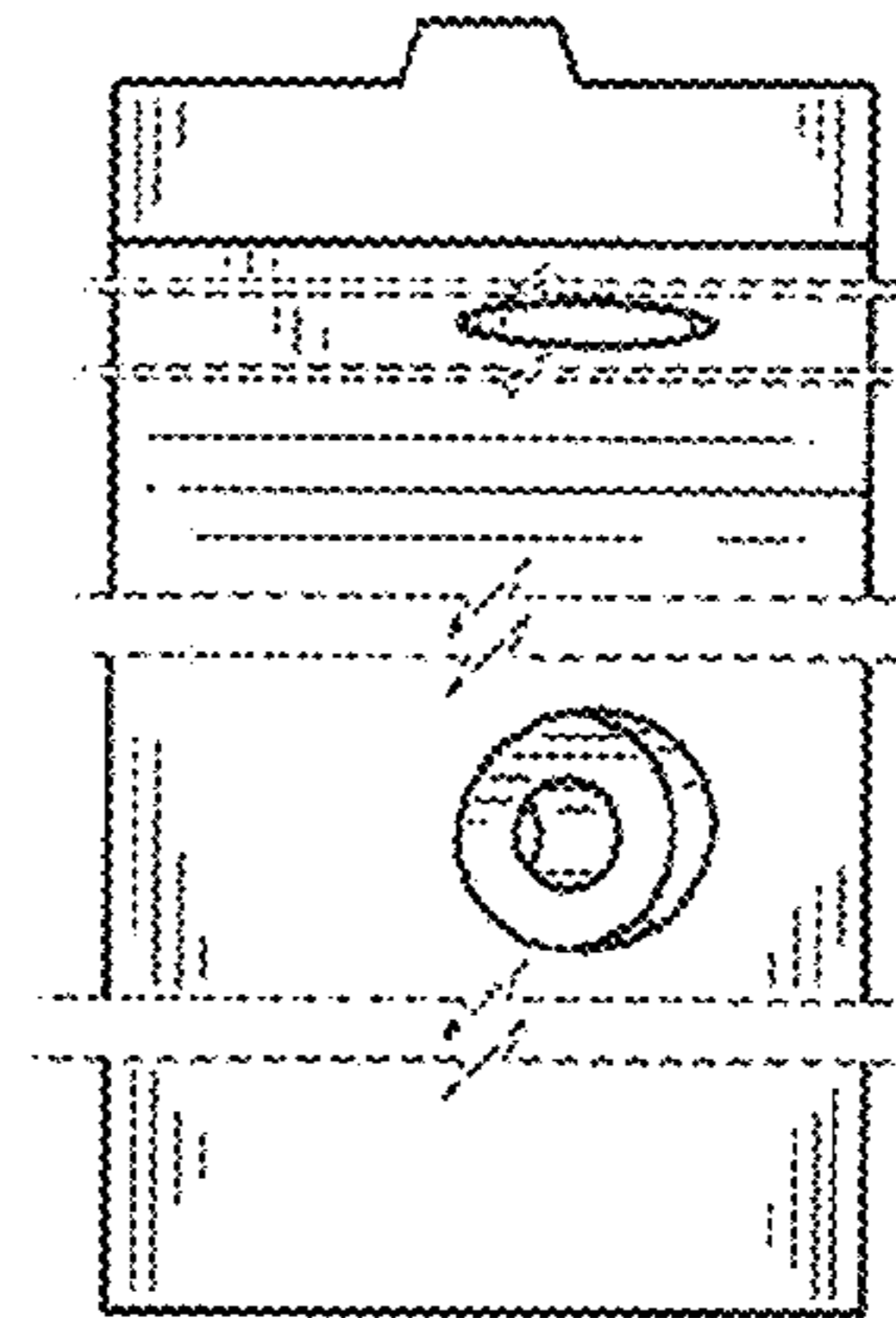


FIG. 5

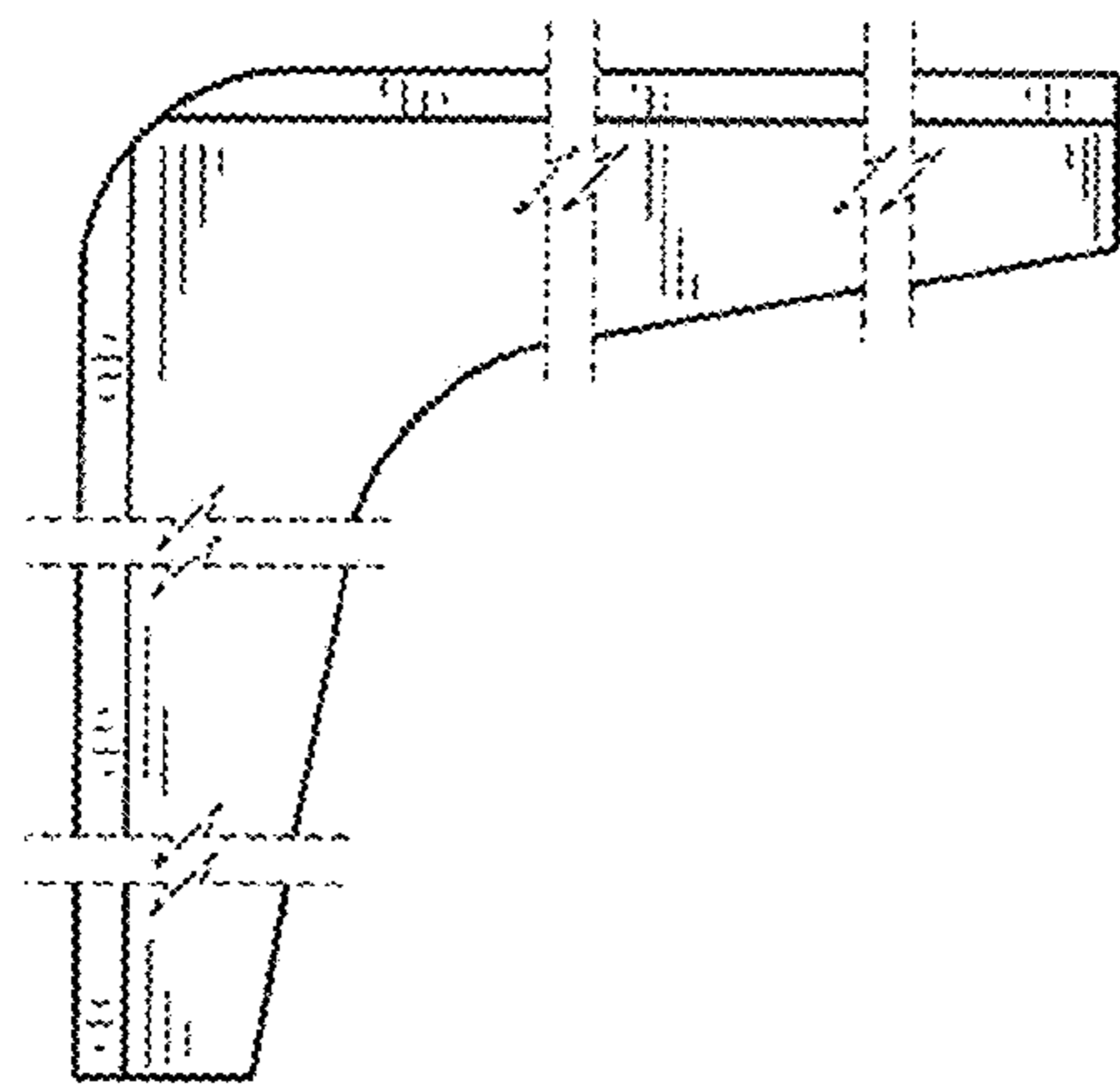


FIG. 6

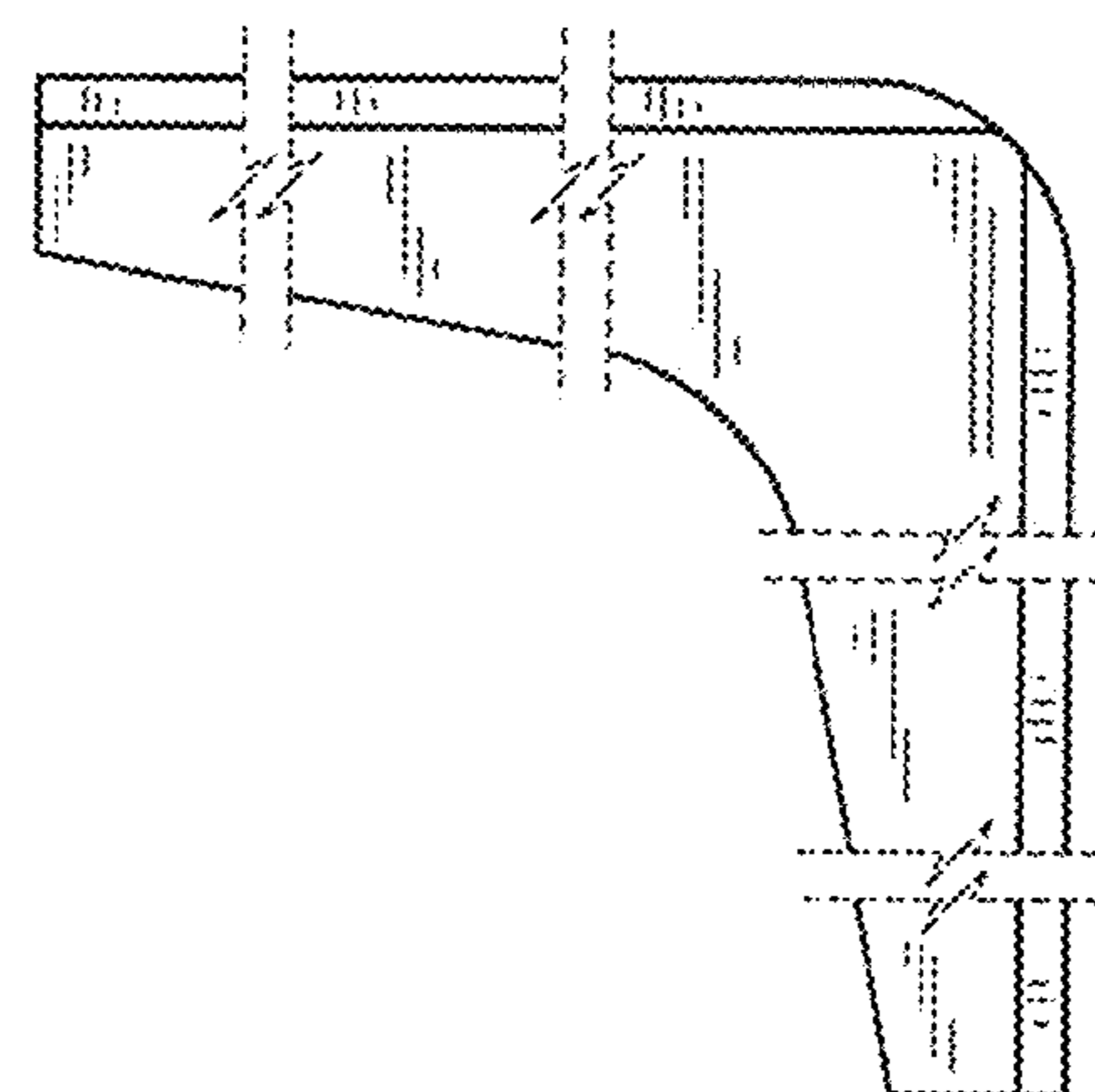


FIG. 7