



US00D755257S

(12) **United States Design Patent**  
**Okuyama et al.**

(10) **Patent No.:** **US D755,257 S**

(45) **Date of Patent:** **\*\* May 3, 2016**

(54) **TRACTOR**

(71) Applicant: **Yanmar Co., Ltd.**, Osaka-shi (JP)

(72) Inventors: **Kiyoyuki Okuyama**, Yamagata (JP);  
**Fumio Ishibashi**, Osaka (JP)

(73) Assignee: **YANMAR CO., LTD.**, Osaka-shi (JP)

(\*\*) Term: **14 Years**

(21) Appl. No.: **29/503,406**

(22) Filed: **Sep. 25, 2014**

(30) **Foreign Application Priority Data**

Mar. 31, 2014 (JP) ..... D2014-7130

(51) **LOC (10) Cl.** ..... **12-09**

(52) **U.S. Cl.**  
USPC ..... **D15/31**

(58) **Field of Classification Search**  
USPC ..... D15/10, 14-17, 22-26, 28, 30, 31  
CPC ..... B62D 49/00-49/085  
See application file for complete search history.

(56) **References Cited**

**U.S. PATENT DOCUMENTS**

D546,351 S *	7/2007	Arthur	.....	D15/31
D586,828 S *	2/2009	Staines	.....	D15/31
D591,777 S *	5/2009	Kokitkar	.....	D15/31
D596,205 S *	7/2009	Kawashiri	.....	D15/31
D620,955 S *	8/2010	Krogh	.....	D15/31

D624,944 S *	10/2010	Major	.....	D15/31
D631,489 S *	1/2011	Booth	.....	D15/31
D632,312 S *	2/2011	Booth	.....	D15/31
D642,598 S *	8/2011	Wikner	.....	D15/31
D655,318 S *	3/2012	Hagele	.....	D15/31
D668,695 S *	10/2012	Ringer	.....	D15/31
D675,233 S *	1/2013	Kushita	.....	D15/31
D680,562 S *	4/2013	Park	.....	D15/31
D721,105 S *	1/2015	Okuyama	.....	D15/31
D729,282 S *	5/2015	Sasaki	.....	D15/31
D733,767 S *	7/2015	Kushita	.....	D15/31

\* cited by examiner

*Primary Examiner* — Mitchell Siegel

(74) *Attorney, Agent, or Firm* — Sterne, Kessler, Goldstein & Fox P.L.L.C.

(57) **CLAIM**

The ornamental design for a tractor, as shown and described.

**DESCRIPTION**

FIG. 1 is a top perspective view of a tractor showing our new design;

FIG. 2 is a front view thereof;

FIG. 3 is a rear view thereof;

FIG. 4 is a top plan view thereof;

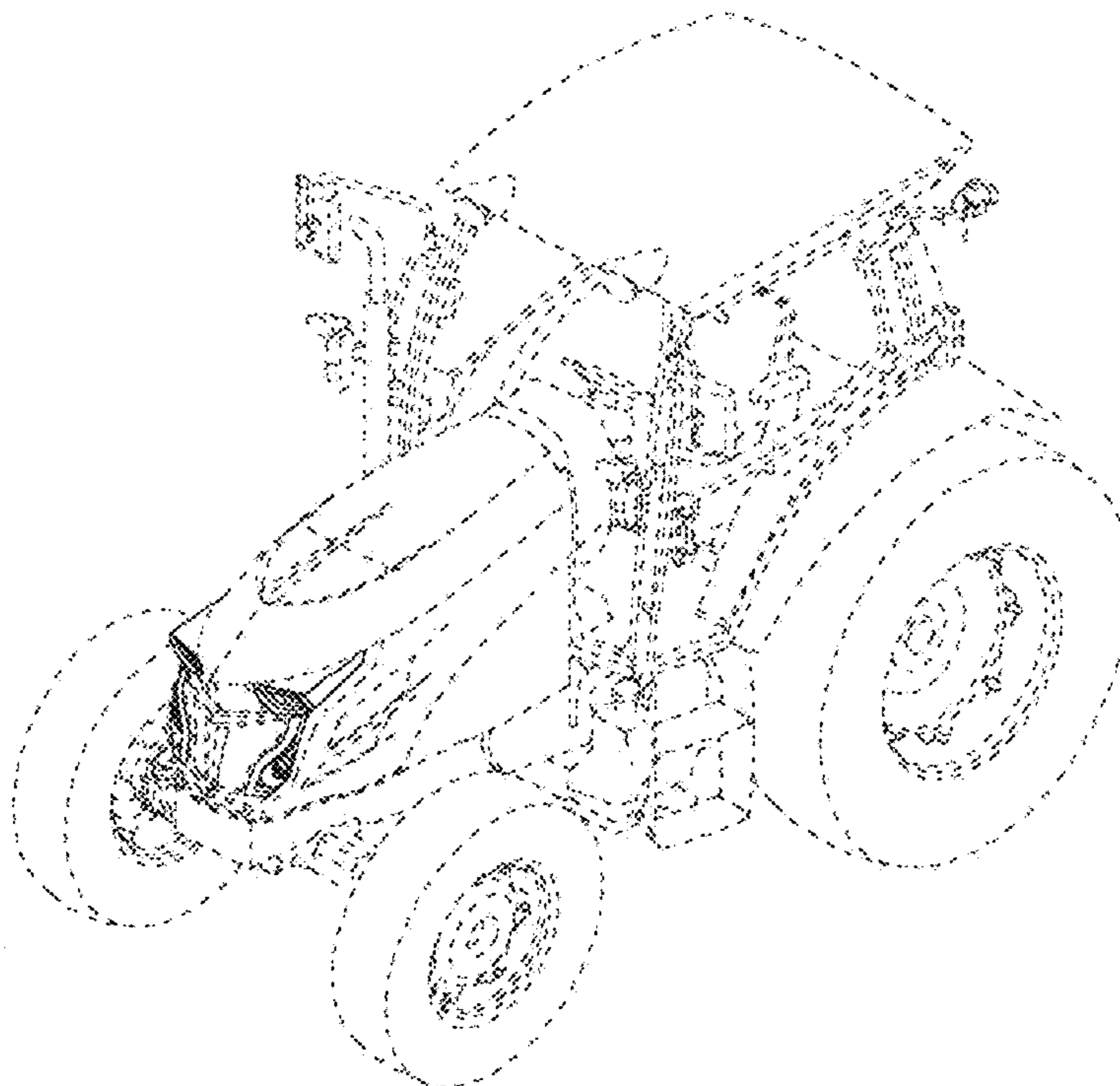
FIG. 5 is a bottom plan view thereof;

FIG. 6 is a left side view thereof; and,

FIG. 7 is a right side view thereof.

The broken lines in the Figures show portions of the tractor that form no part of the claimed design.

**1 Claim, 7 Drawing Sheets**



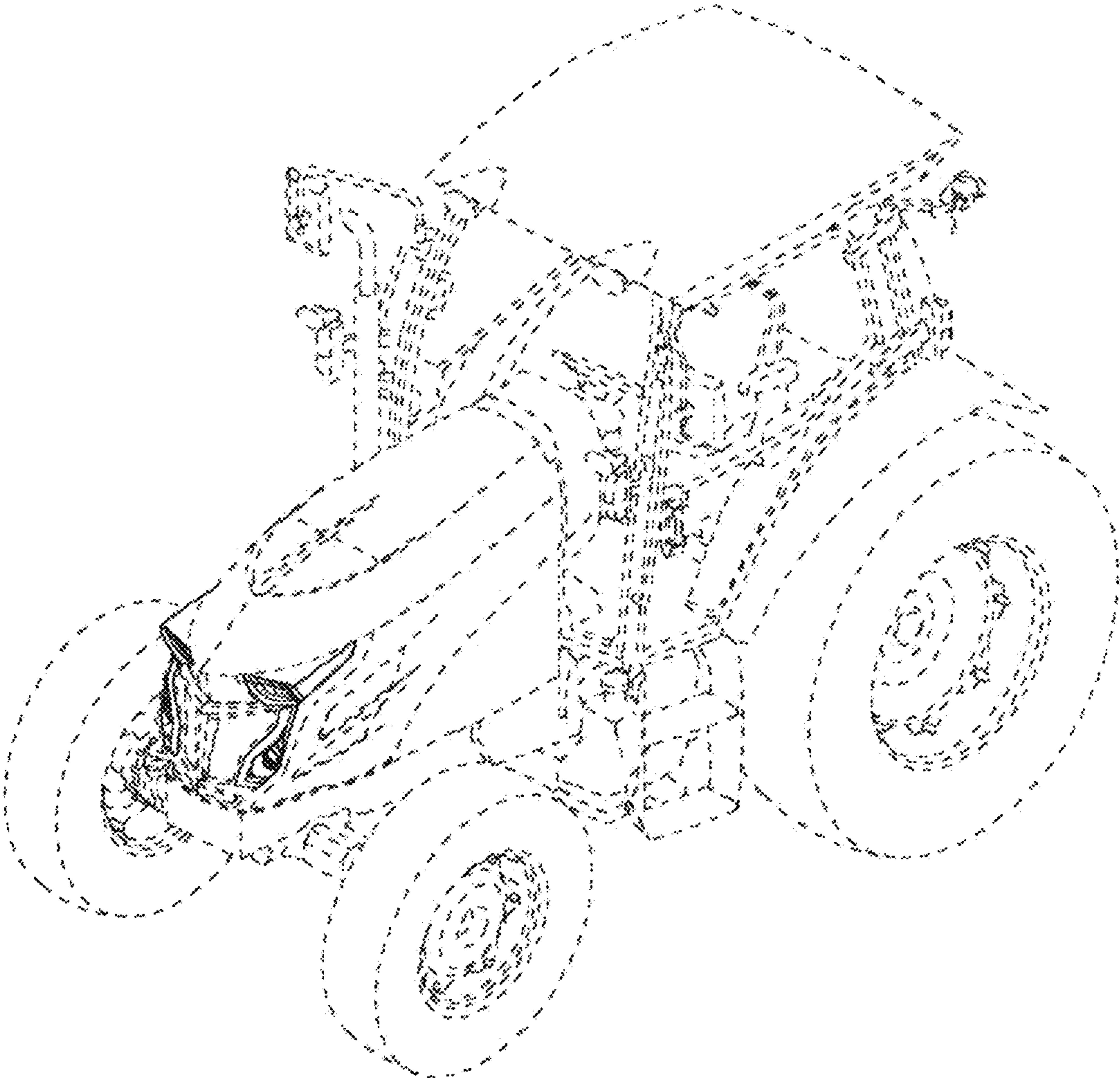


FIG.1

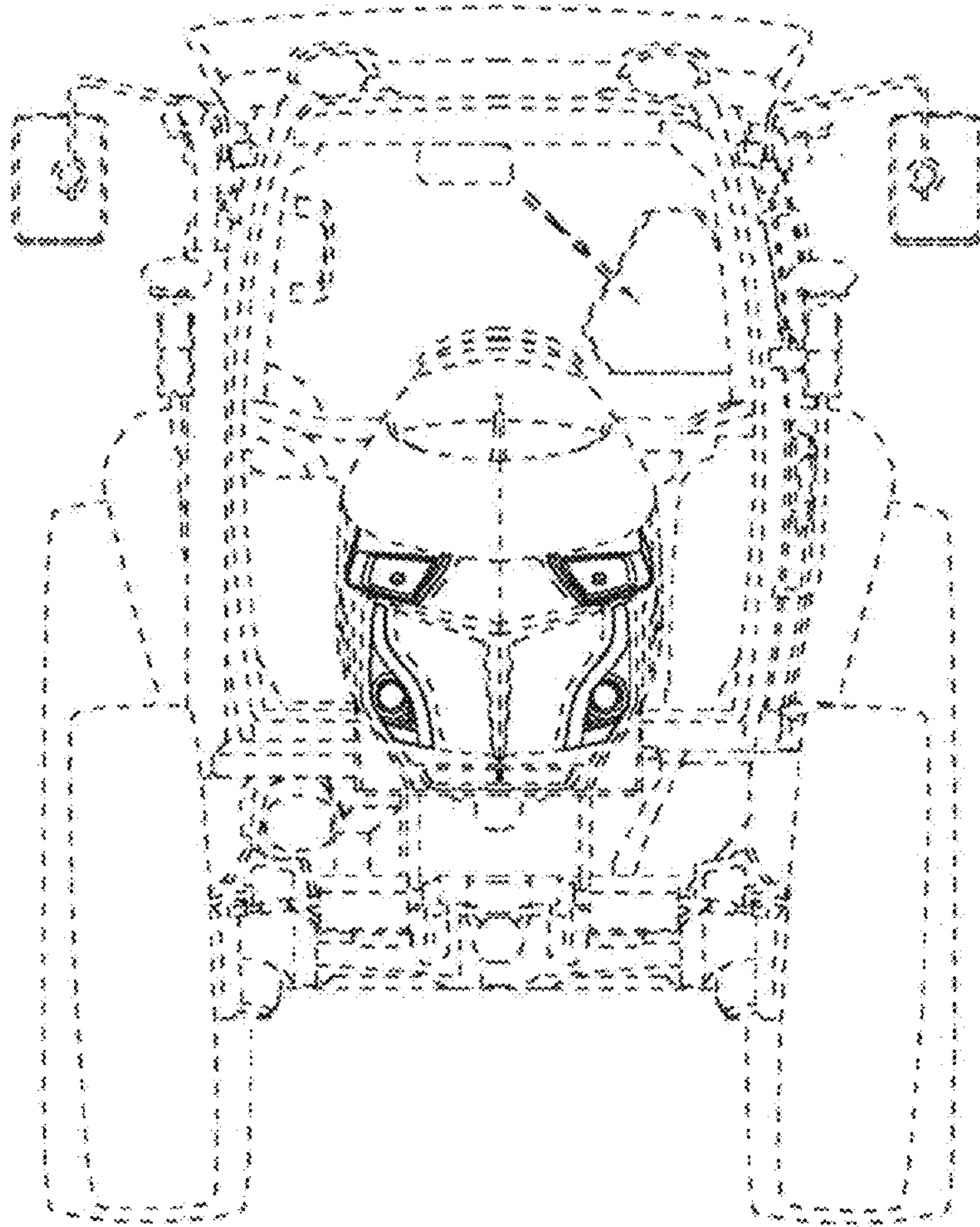


FIG. 2

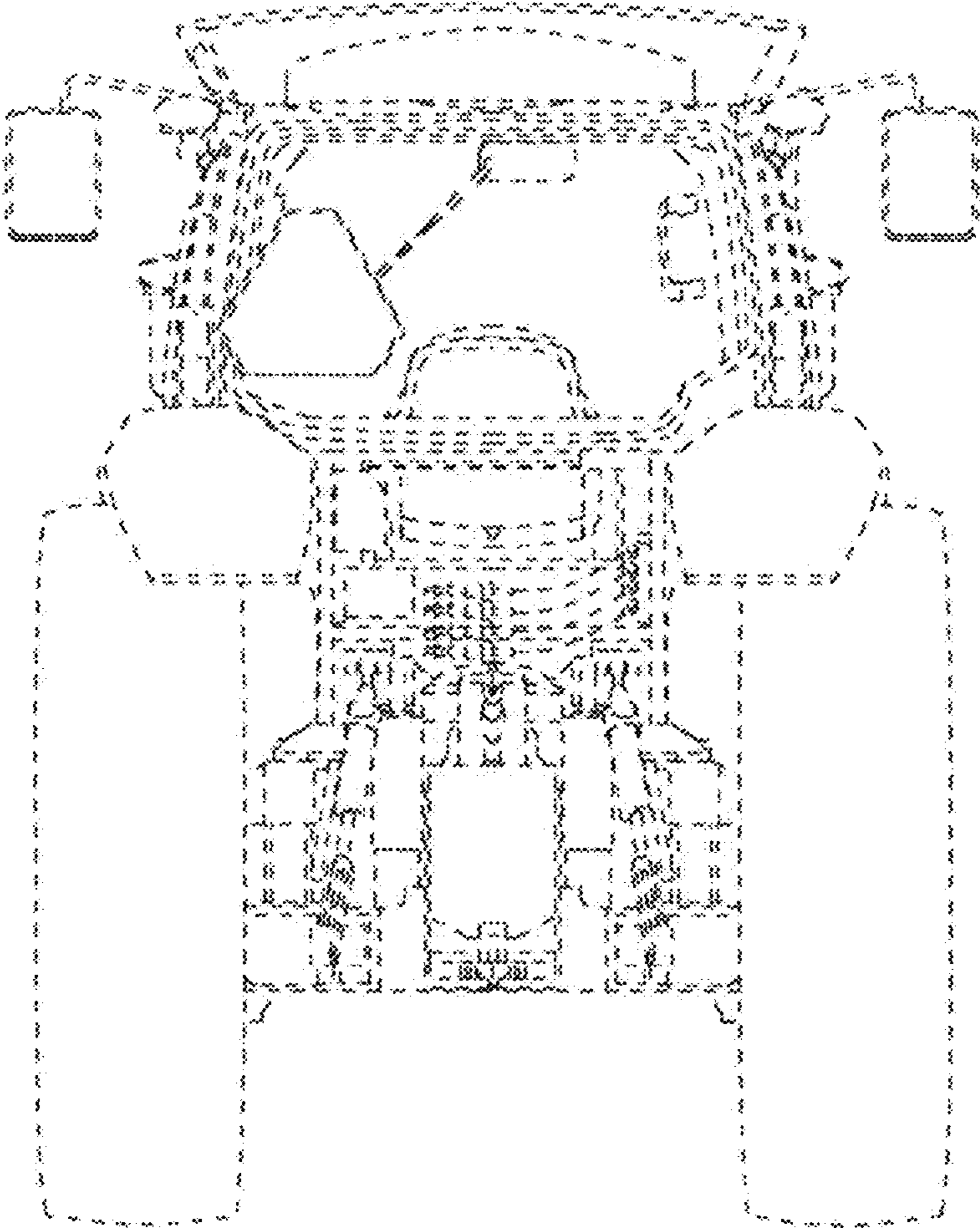


FIG. 3

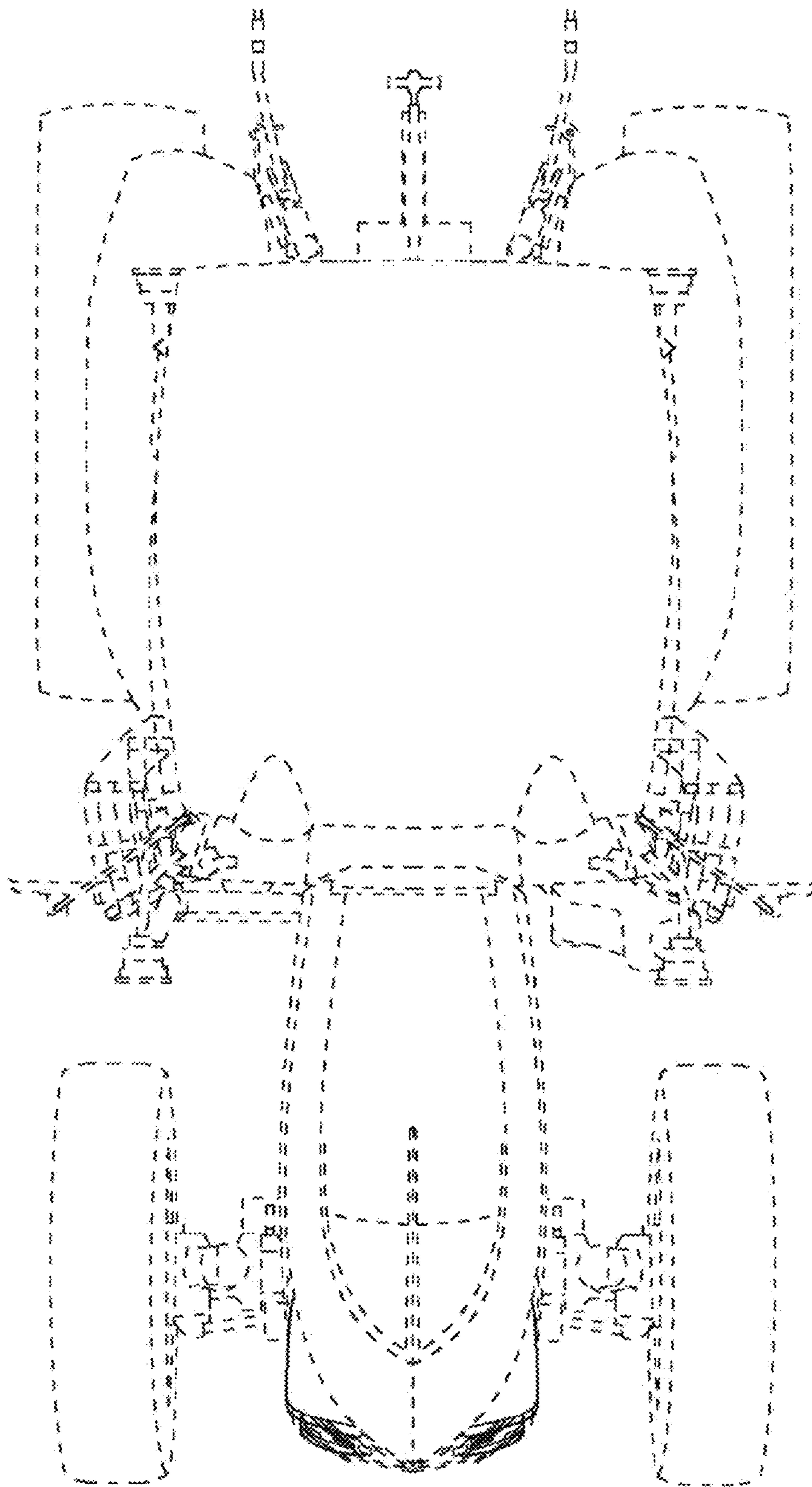


FIG. 4

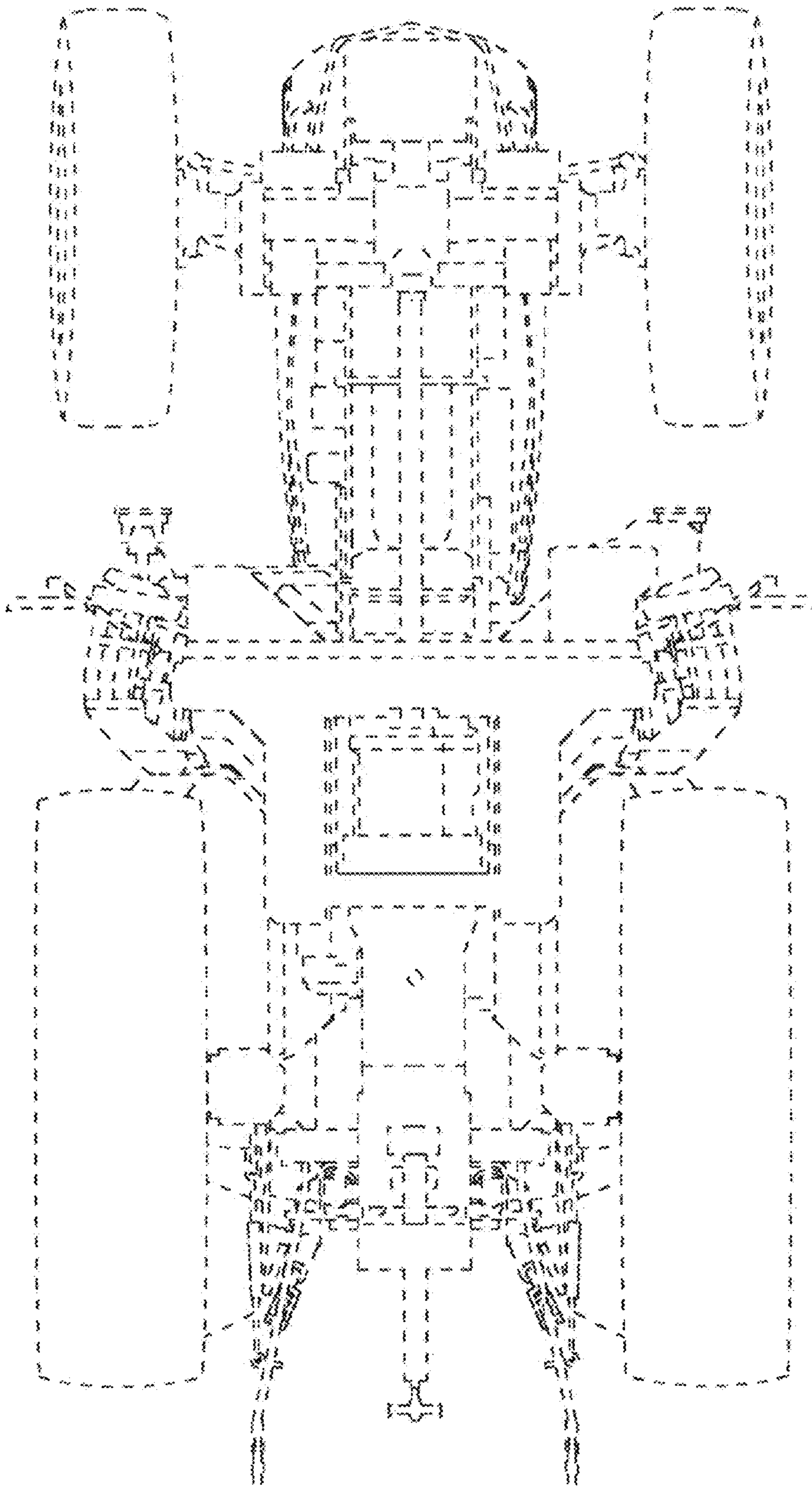


FIG. 5

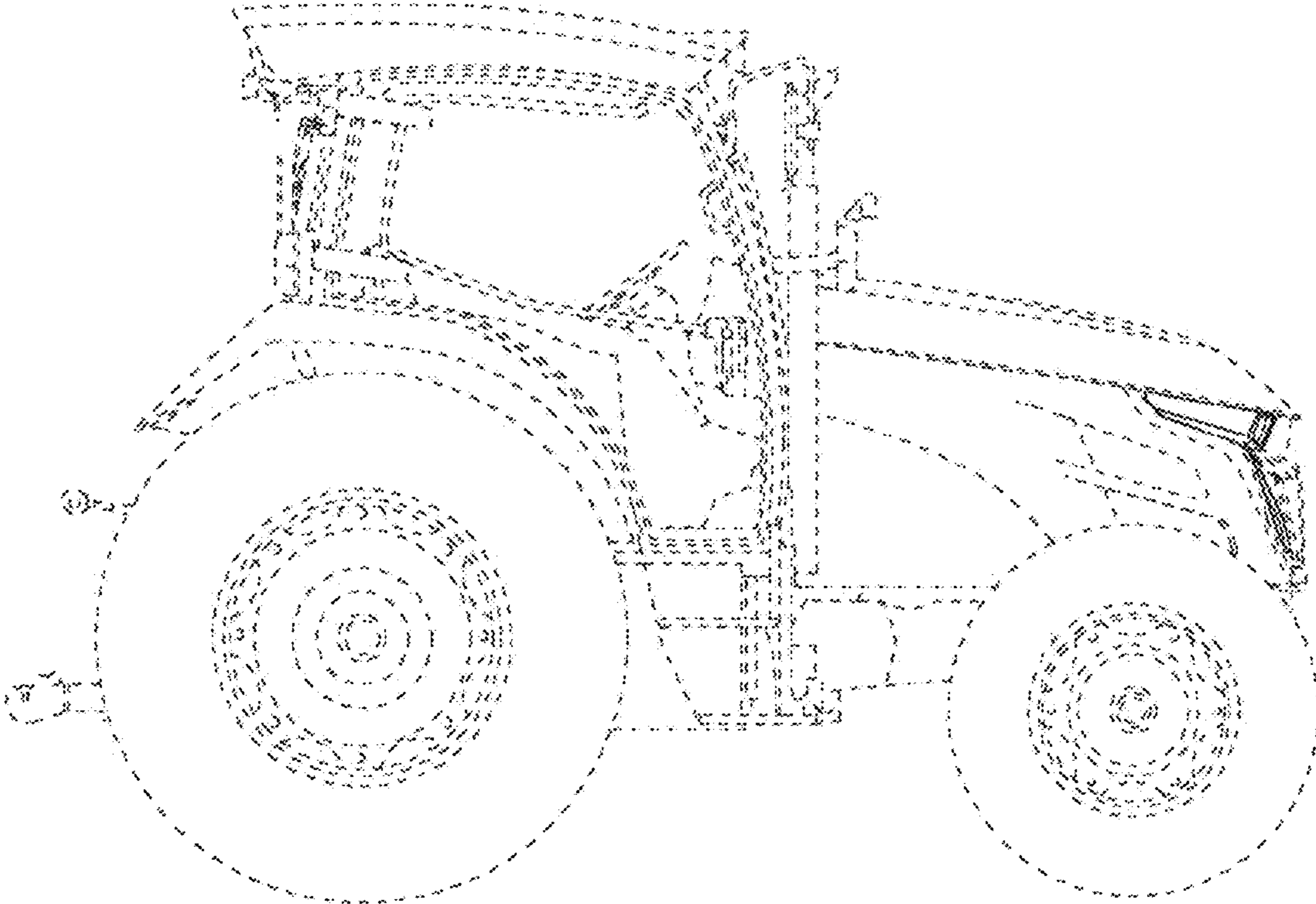


FIG.6

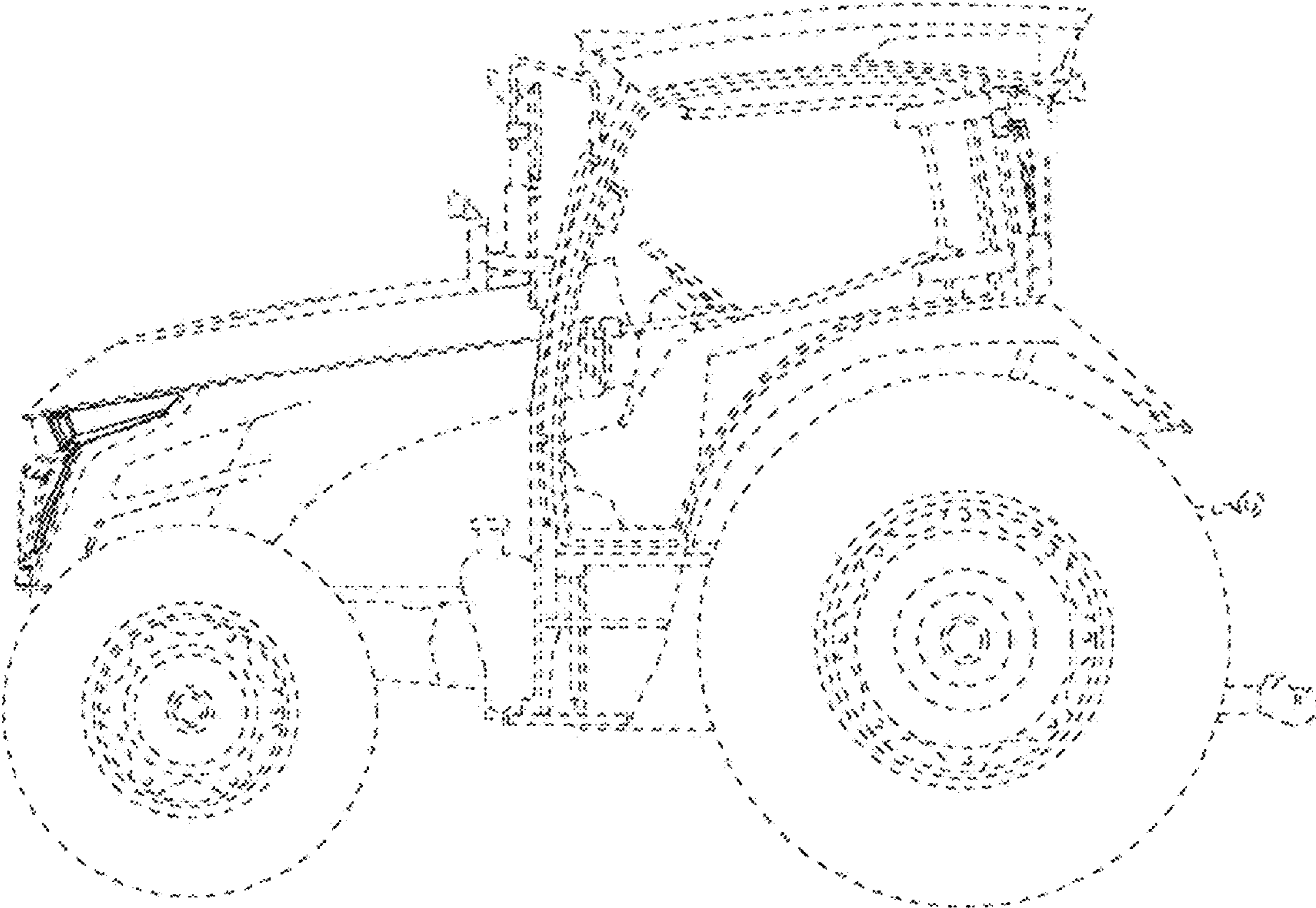


FIG. 7