

US00D755251S

(12) **United States Design Patent**  
**Whitmer et al.**

(10) **Patent No.:** **US D755,251 S**  
(45) **Date of Patent:** **\*\* May 3, 2016**

- (54) **POST DRIVER CRANKCASE CAP**
- (71) Applicant: **Rhino Tool Company**, Kewanee, IL (US)
- (72) Inventors: **Herbert W. Whitmer**, Kewanee, IL (US); **Robert J. Conner**, Kewanee, IL (US); **James V. Martin**, Kewanee, IL (US)
- (73) Assignee: **Rhino Tool Company**, Kewanee, IL (US)
- (\*\*) Term: **14 Years**
- (21) Appl. No.: **29/481,496**
- (22) Filed: **Feb. 6, 2014**
- (51) **LOC (10) Cl.** ..... **15-03**
- (52) **U.S. Cl.**  
USPC ..... **D15/21**
- (58) **Field of Classification Search**  
USPC ..... D15/17, 21, 28, 140, 139; 173/91, 146, 173/133, 1, 46, 90, 156, 114, 194, 27; 52/157; 53/317, 329; 215/245, 200, 215/252, 256, 329; 254/29 R, 132; 279/145  
CPC ..... E04H 17/263; E04H 17/26; E02H 17/263; E02H 17/26; E02D 11/00; E02D 7/04; B65D 39/00; B65D 81/00; B65D 41/10; B65D 41/34  
See application file for complete search history.

- 4,311,416 A \* 1/1982 Rusche ..... E02D 5/385 173/1
- 4,746,096 A \* 5/1988 Donnell ..... E21B 19/086 254/108
- 5,392,866 A \* 2/1995 White ..... E04H 17/263 173/132
- 5,806,608 A \* 9/1998 DuBois ..... E02D 7/04 173/114
- 5,829,613 A \* 11/1998 Wohlgemuth ..... B65D 41/3409 215/256
- 6,591,919 B1 \* 7/2003 Herrmann ..... E04H 17/263 173/184
- 6,964,346 B1 \* 11/2005 Taber ..... B29C 45/0025 215/252
- 7,293,396 B1 \* 11/2007 Cunningham ..... B65D 41/0471 53/317
- D634,605 S \* 3/2011 Guimaraes ..... D15/28
- D699,267 S \* 2/2014 Nelson ..... D15/21
- 8,695,820 B2 \* 4/2014 Rabie ..... B65D 21/0204 206/508
- 8,915,048 B1 \* 12/2014 Miceli ..... B65D 50/041 53/317
- D733,191 S \* 6/2015 Whitmer ..... D15/21
- 2004/0154812 A1 \* 8/2004 McDonald ..... E04H 17/263 173/90
- 2006/0241647 A1 \* 10/2006 Chen ..... E04H 17/263 606/100

(Continued)

*Primary Examiner* — Cynthia Ramirez  
(74) *Attorney, Agent, or Firm* — Thompson Coburn LLP

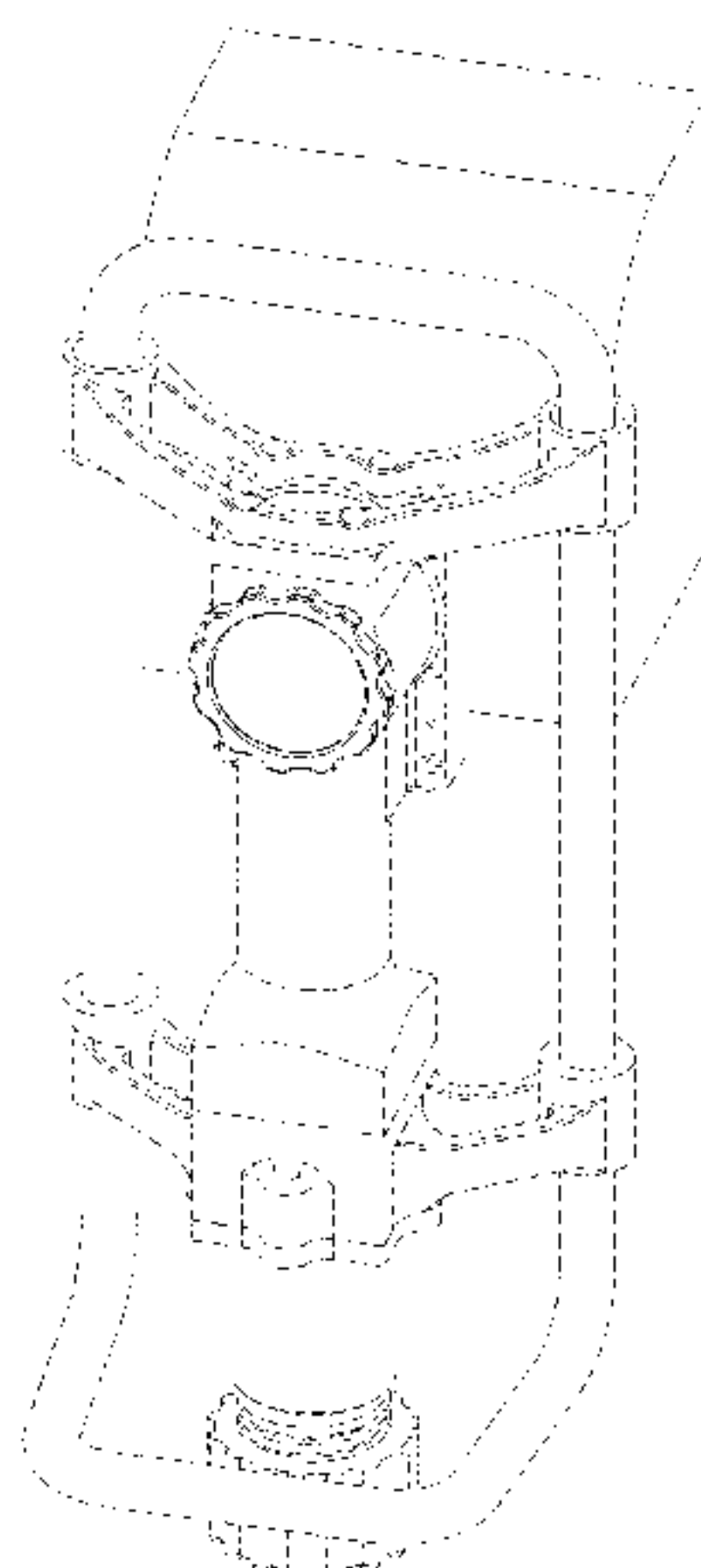
(57) **CLAIM**  
The ornamental design for a post driver crankcase cap, as shown and described.

- (56) **References Cited**  
U.S. PATENT DOCUMENTS  
2,061,218 A \* 11/1936 Watson ..... E21B 7/005 173/25  
2,940,267 A \* 6/1960 Shaver ..... E04H 17/261 173/156  
2,998,087 A \* 8/1961 Iddings ..... E02D 7/04 173/102  
3,215,209 A \* 11/1965 Desvaux ..... E02D 9/02 173/49  
3,762,827 A \* 10/1973 Ziegelmeyer ..... 173/156  
3,847,231 A \* 11/1974 Warjone ..... E02D 13/04 173/112

**DESCRIPTION**

FIG. 1 is a perspective view of a post diver crankcase cap showing our new design;  
FIG. 2 is a front view thereof;  
FIG. 3 is a cross-sectional view of the design taken about the line B-B shown in FIG. 2; and,  
FIG. 4 is a right side view, the left, top and bottom views being the same thereof.  
The dashed lines in the drawing figures represent the environment and do not constitute part of the claimed design.

**1 Claim, 2 Drawing Sheets**



(56)

**References Cited**

U.S. PATENT DOCUMENTS

2008/0067142	A1 *	3/2008	Druitt .....	B65D 41/04 215/324	2011/0204198	A1 *	8/2011	Leary .....	E04H 17/263 248/346.03
2008/0105859	A1 *	5/2008	Laportella .....	E21B 19/07 254/29 R	2012/0111593	A1 *	5/2012	O'Toole .....	E04H 17/263 173/90
2008/0142235	A1 *	6/2008	Jacobsson .....	B60K 11/04 173/27	2012/0193111	A1 *	8/2012	Lechtenberg .....	B25D 17/02 173/1
2008/0237178	A1 *	10/2008	Ochoa Laburu .....	B65D 23/065 215/245	2012/0312769	A1 *	12/2012	Prozumen- schikov .....	B65D 1/0246 215/252
2009/0008113	A1 *	1/2009	Lyons .....	E02D 7/08 173/48	2013/0026721	A1 *	1/2013	Wood .....	E04H 17/263 279/145
2009/0178818	A1 *	7/2009	McNeill .....	E04H 17/265 173/90	2013/0146560	A1 *	6/2013	McDowell .....	B65D 41/10 215/324
2010/0236803	A1 *	9/2010	Clemons .....	E04H 17/263 173/128	2014/0020310	A1 *	1/2014	Lee .....	E02D 7/22 52/157
2011/0155403	A1 *	6/2011	Rohrer .....	E04H 17/263 173/114	2014/0262399	A1 *	9/2014	Cunningham .....	E04H 17/263 173/133
2011/0174761	A1 *	7/2011	Molinaro .....	B65D 41/3409 215/256	2015/0021529	A1 *	1/2015	Gregory .....	E02D 11/00 254/30
					2015/0225135	A1 *	8/2015	Lonsway .....	B65D 1/0246 215/252

\* cited by examiner

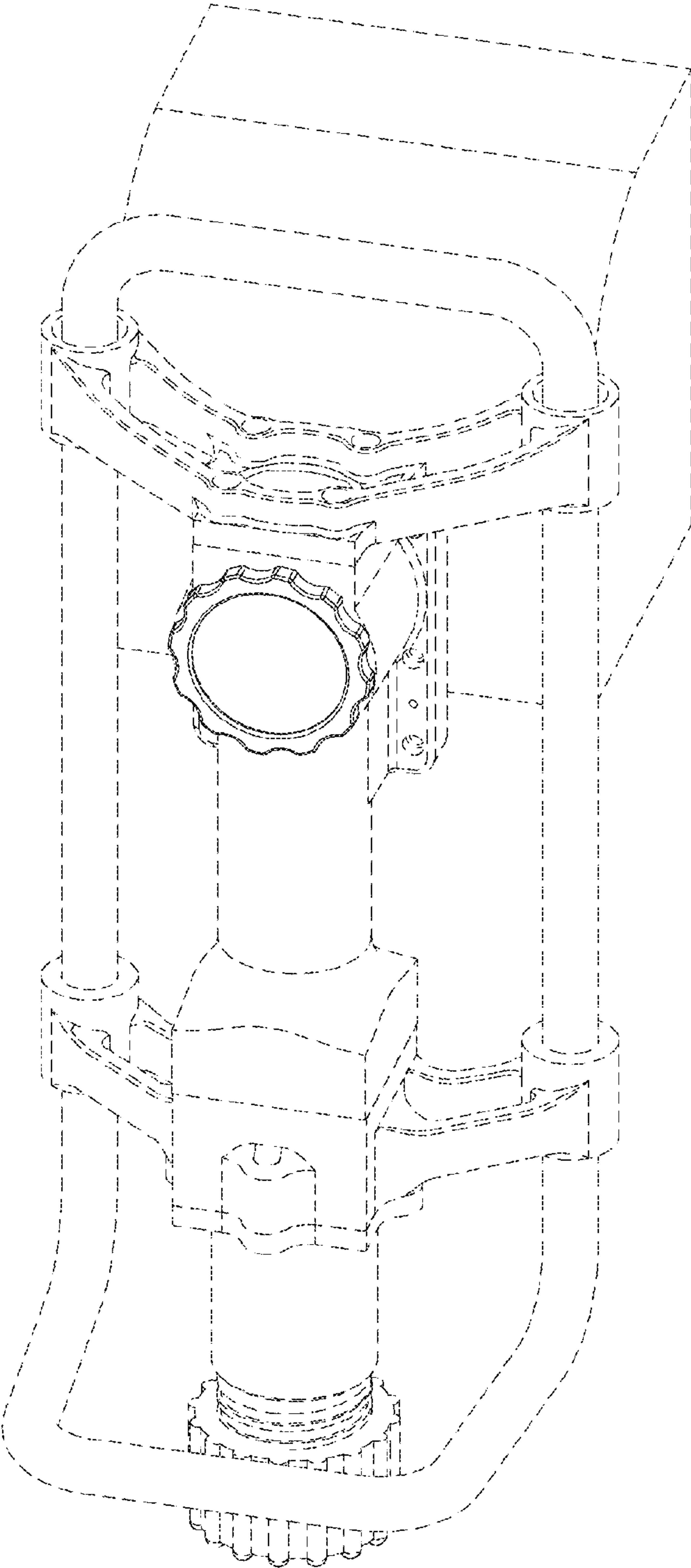


FIG. 1

