



US00D755250S

(12) **United States Design Patent**
Mangiagli et al.

(10) **Patent No.:** **US D755,250 S**

(45) **Date of Patent:** **** May 3, 2016**

(54) **VALVE PISTON BODY**

(56) **References Cited**

(71) Applicant: **Sonnax Industries, Inc.**, Bellows Falls, VT (US)

U.S. PATENT DOCUMENTS

(72) Inventors: **Todd V. Mangiagli**, Westminster, VT (US); **Edward J. Lee**, Chesapeake City, MD (US)

3,533,235	A	10/1970	Oguma et al.	
5,259,273	A	11/1993	Lee	
D461,827	S *	8/2002	Koebbe	D15/7
D471,563	S *	3/2003	Selic	D15/7
6,712,726	B1	3/2004	Jackson et al.	
6,776,736	B1	8/2004	Stafford	
6,793,053	B2	9/2004	Jackson	
6,826,908	B1	12/2004	Stafford	
D500,505	S *	1/2005	Selic	D15/2
D506,210	S *	6/2005	Selic	D15/7
7,351,176	B1	4/2008	Stafford	
D623,200	S *	9/2010	Fulkerson	D15/7
D624,561	S *	9/2010	Yu	D15/7
D641,382	S *	7/2011	Hawes	D15/7
2012/0325331	A1	12/2012	Mangiagli et al.	

(73) Assignee: **Sonnax Industries, Inc.**, Bellows Falls, VT (US)

(**) Term: **15 Years**

* cited by examiner

(21) Appl. No.: **29/531,817**

Primary Examiner — Ralf Seifert

(22) Filed: **Jun. 30, 2015**

(74) *Attorney, Agent, or Firm* — Downs Rachlin Martin PLLC

Related U.S. Application Data

(63) Continuation of application No. 13/169,755, filed on Jun. 27, 2011.

(57) **CLAIM**

The ornamental design for a valve piston body, as shown and described.

(51) **LOC (10) Cl.** **15-02**

DESCRIPTION

(52) **U.S. Cl.**

USPC **D15/7**

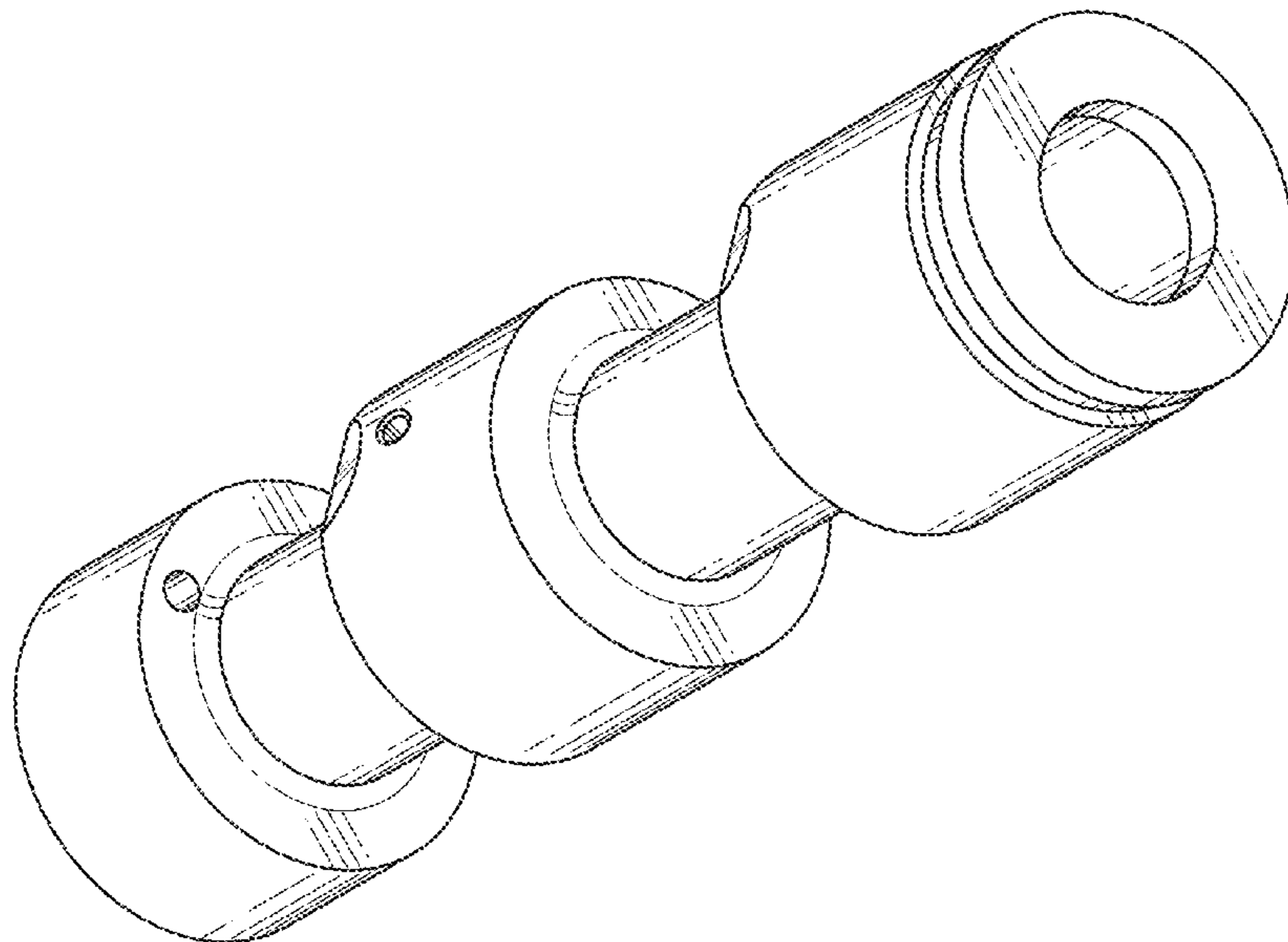
(58) **Field of Classification Search**

USPC D15/5, 7-9; D23/231, 232, 225; 417/60, 235, 265, 321, 355, 358, 363, 417/359, 410.1, 415-416, 405, 900; 60/408, 412; 184/26-37; 415/140-147; 123/495, 509; 137/565.34; 475/127

CPC F02M 37/04; F02M 37/14; F16H 47/06; F16H 31/00

See application file for complete search history.

1 Claim, 7 Drawing Sheets



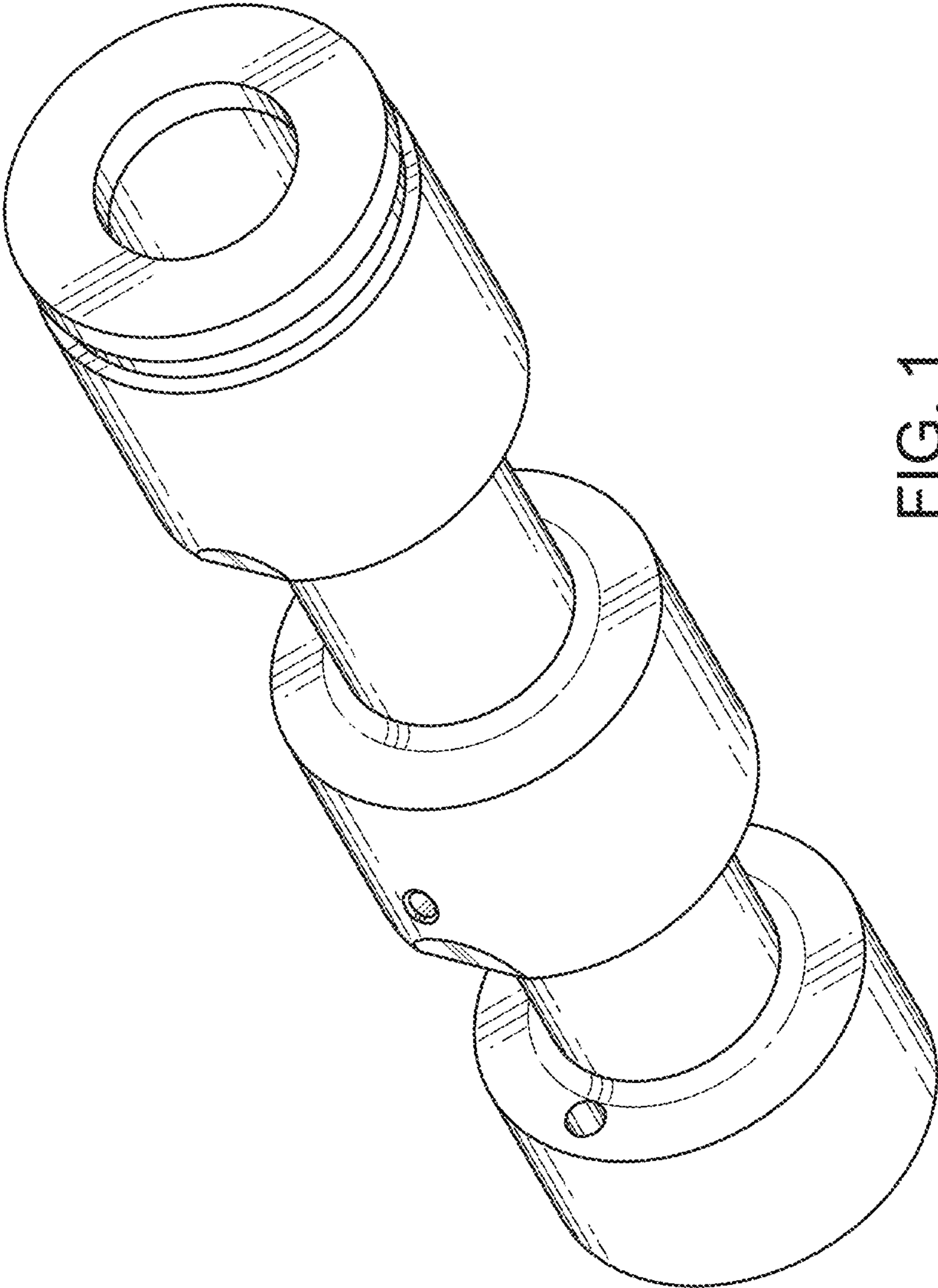


FIG. 1

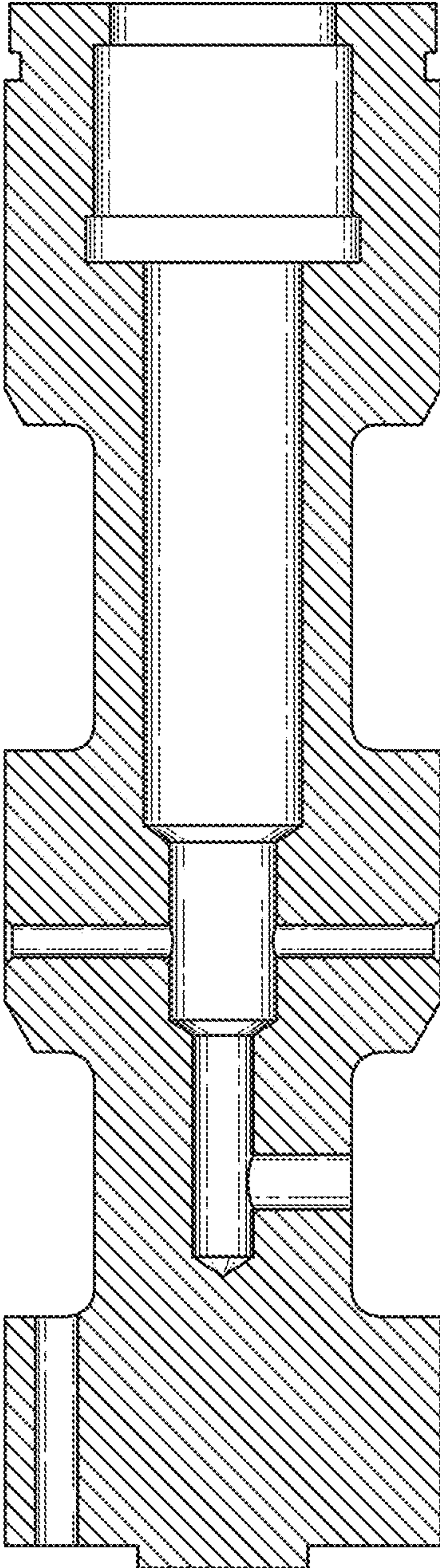


FIG. 2

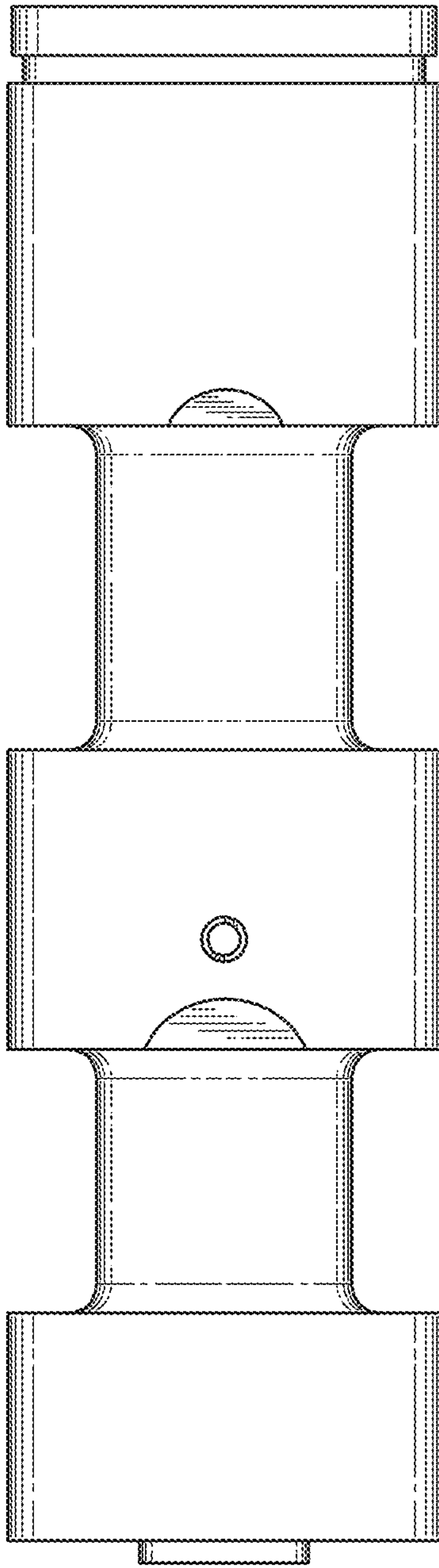


FIG. 3

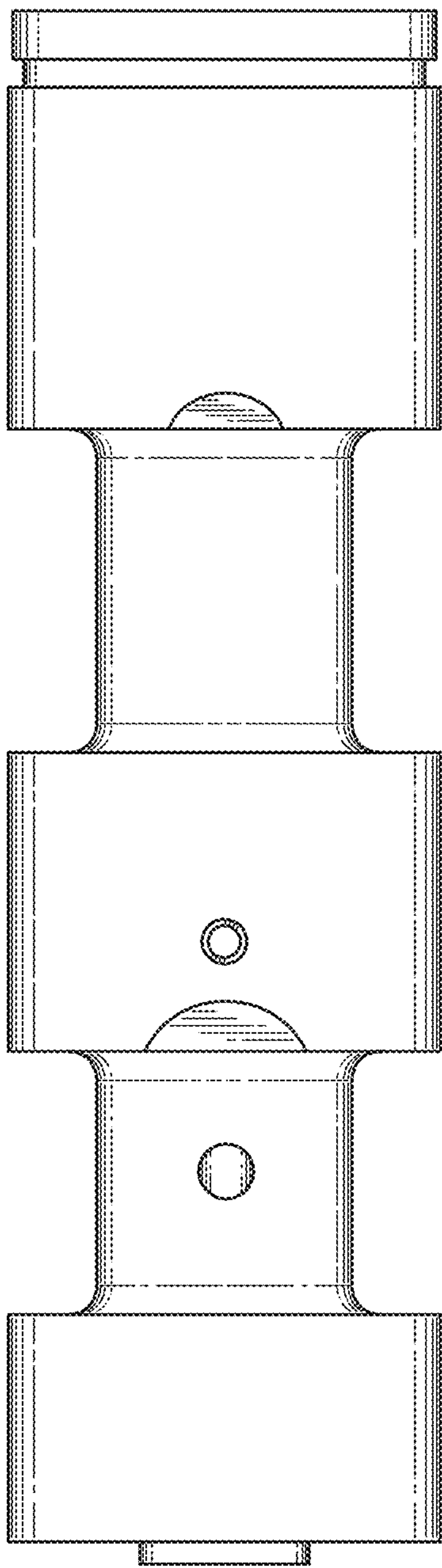


FIG. 4

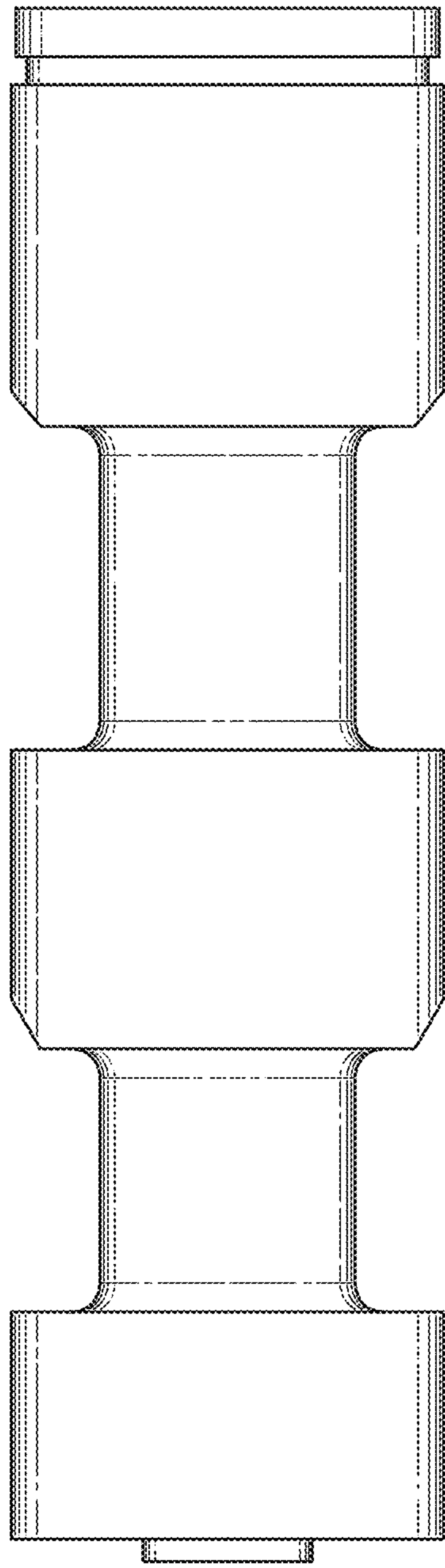


FIG. 5

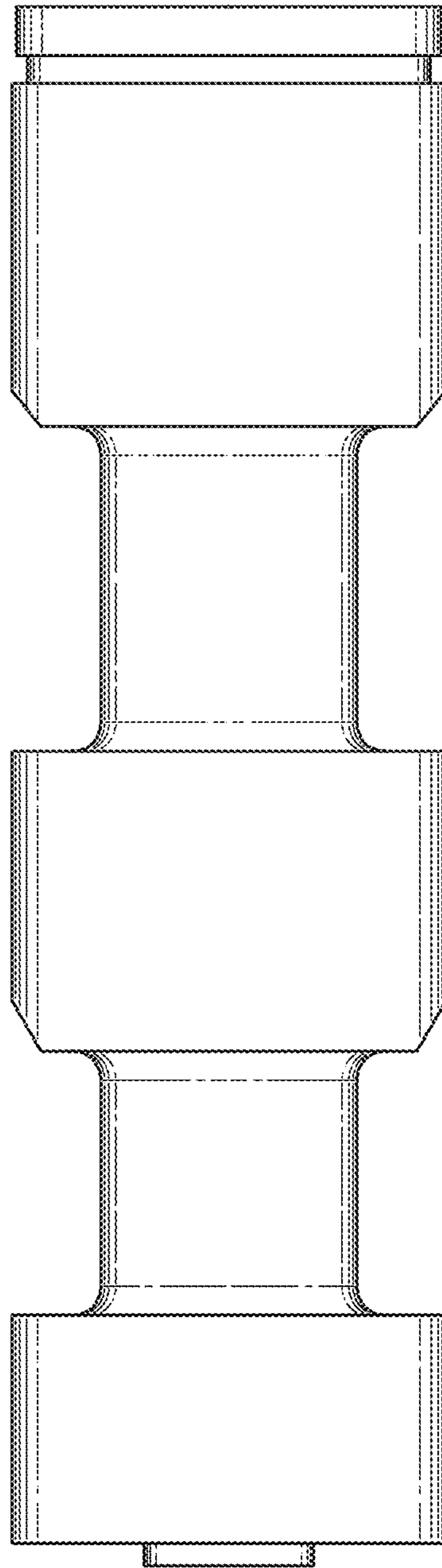


FIG. 6

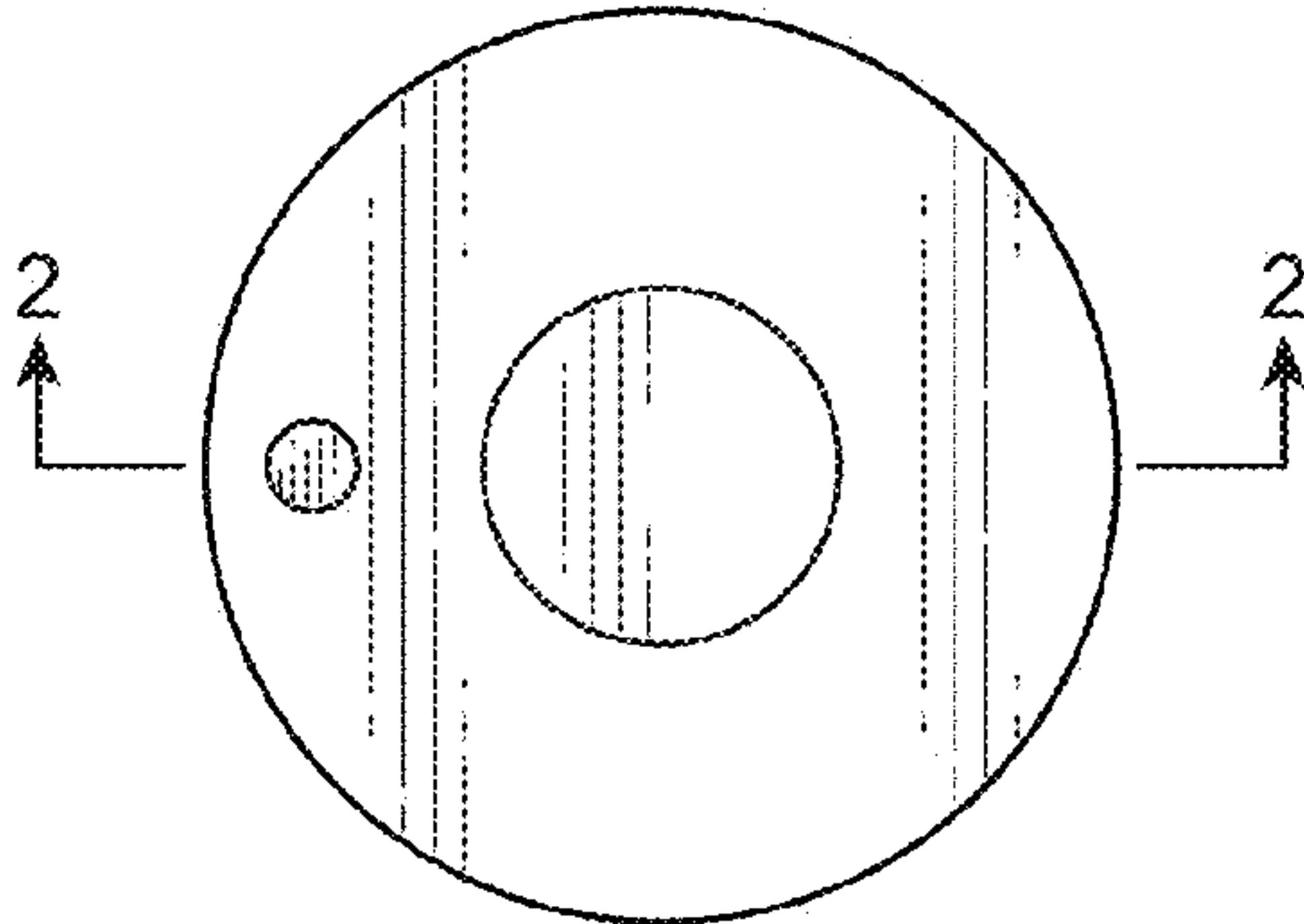


FIG. 7

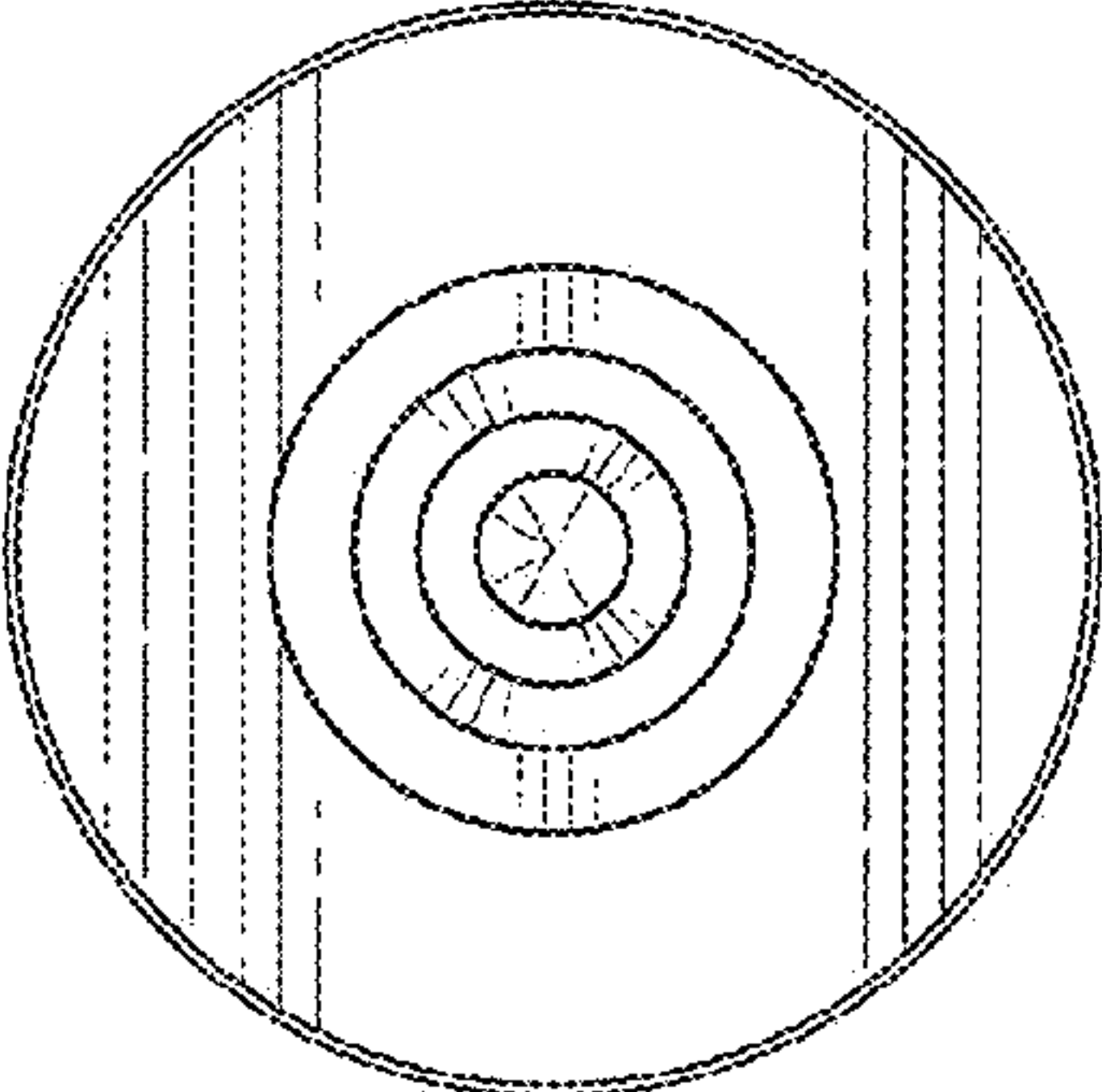


FIG. 8