



US00D755247S

(12) **United States Design Patent**
Lamparelli

(10) **Patent No.:** **US D755,247 S**

(45) **Date of Patent:** **** May 3, 2016**

(54) **PROPULSION CONTROL SYSTEM FOR SHIP WITH A DISPLAY**

(71) Applicant: **Wartsila Finland Oy**, Vaasa (FI)

(72) Inventor: **Davide Lamparelli**, Fitjar (NO)

(73) Assignee: **WARTSILA FINLAND OY**, Vaasa (FI)

(**) Term: **15 Years**

(21) Appl. No.: **29/536,621**

(22) Filed: **Aug. 18, 2015**

Related U.S. Application Data

(62) Division of application No. 29/454,667, filed on May 13, 2013, now Pat. No. Des. 742,418.

(30) **Foreign Application Priority Data**

Nov. 13, 2012 (EM) 002134809
Nov. 13, 2012 (EM) 002135004
Nov. 13, 2012 (EM) 002135038

(51) **LOC (10) Cl.** **15-01**

(52) **U.S. Cl.**
USPC **D15/4; D12/317**

(58) **Field of Classification Search**
USPC D15/5, 4; D12/300, 301, 303-315, 317, D12/174, 178-180; D13/134, 168, 169, D13/173; D10/49; 74/469, 473.1-473.12, 74/473.19, 473.2, 590 B, 491; 440/84-87, 440/98, 111, 112, 113
CPC B63H 21/21; B63H 21/213; B63H 25/00; B63H 2025/026; B63H 25/46; Y10T 137/87064; Y10T 74/20732; Y10T 74/20612; Y10T 137/87072; Y10T 74/20636; Y10T 74/20201; F02D 11/106; F02D 41/2464; H01H 2217/04; H01H 2221/008; H01H 25/008

See application file for complete search history.

(56) **References Cited**

U.S. PATENT DOCUMENTS

6,538,217 B1 *	3/2003	Eriksen	B63H 21/213 114/144 RE
D573,936 S	7/2008	Jin	
D581,855 S	12/2008	Arol	
D593,481 S *	6/2009	Kobelt	D12/317
D663,253 S	7/2012	Bondesson	
D663,254 S	7/2012	Bondesson	
8,406,944 B2	3/2013	Garon et al.	
D689,423 S	9/2013	Park et al.	
D689,424 S	9/2013	Park et al.	
D710,781 S	8/2014	Park et al.	
8,925,414 B1	1/2015	Park et al.	
8,930,050 B2	1/2015	Garon et al.	
2007/0249244 A1	10/2007	Watanabe et al.	

* cited by examiner

Primary Examiner — T. Chase Nelson

Assistant Examiner — Ania Aman

(74) *Attorney, Agent, or Firm* — Muncy, Geissler, Olds & Lowe, P.C.

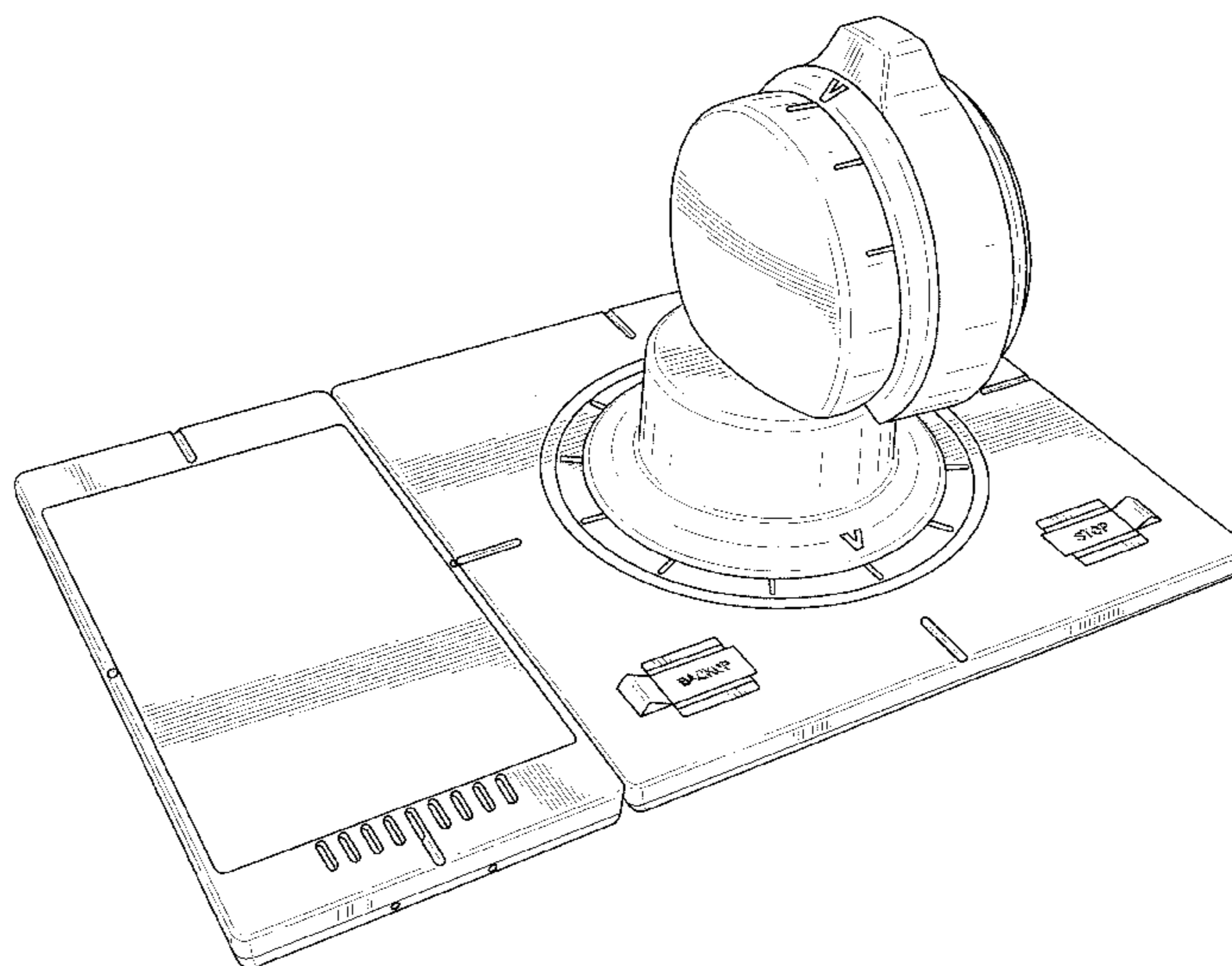
(57) **CLAIM**

The ornamental design for a propulsion control system for ship with a display, as shown and described.

DESCRIPTION

FIG. 1 is a perspective view of a propulsion control system for ship with a display with a screen display on the left; FIG. 2 is a right side view thereof; FIG. 3 is a left side view thereof; FIG. 4 is a top plan view thereof; FIG. 5 is a rear elevational view thereof; and, FIG. 6 is a front elevational view thereof. The broken line showing is for the purpose of illustrating portions of the propulsion control system for a ship with a display which form no part of the claimed design.

1 Claim, 6 Drawing Sheets



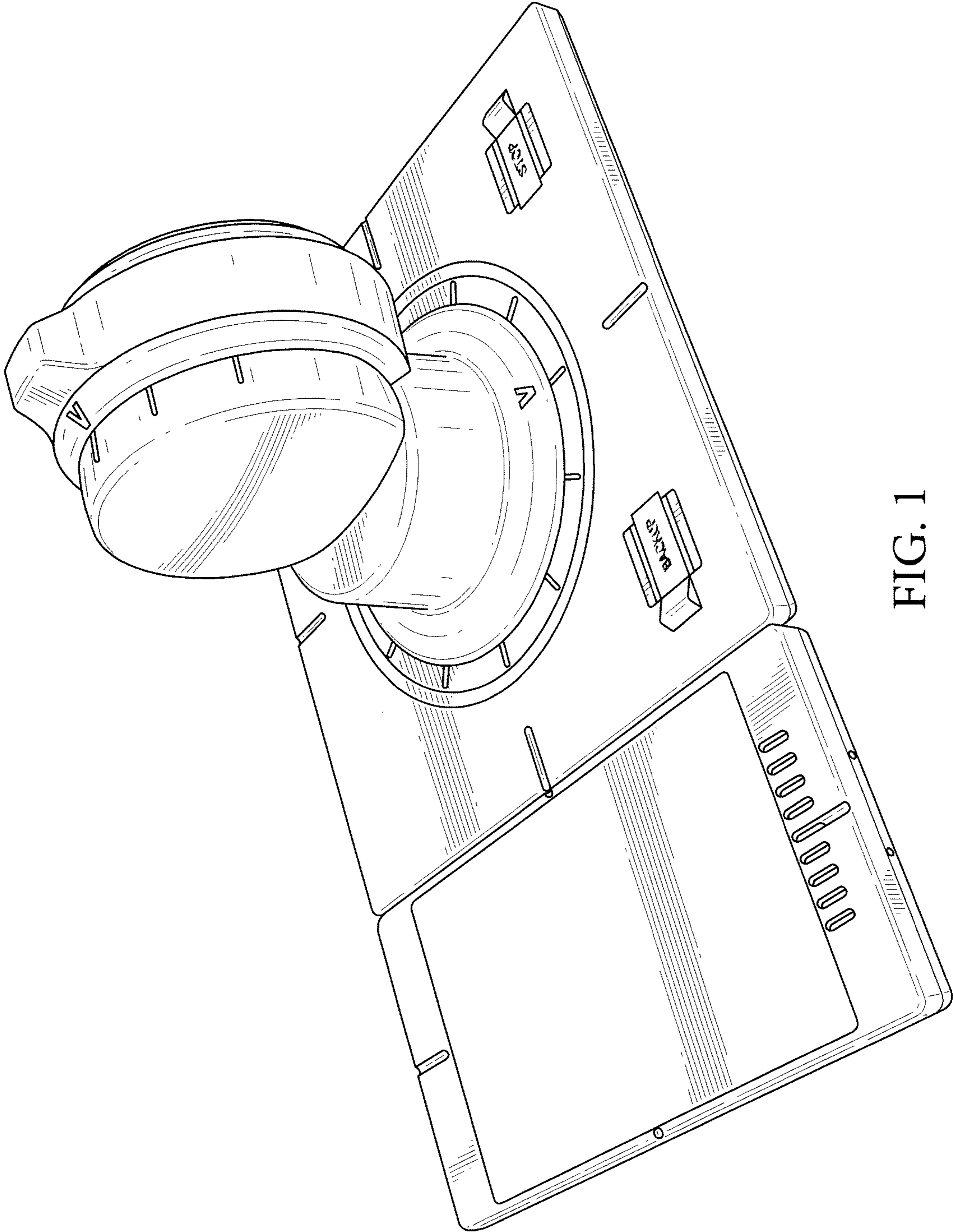


FIG. 1

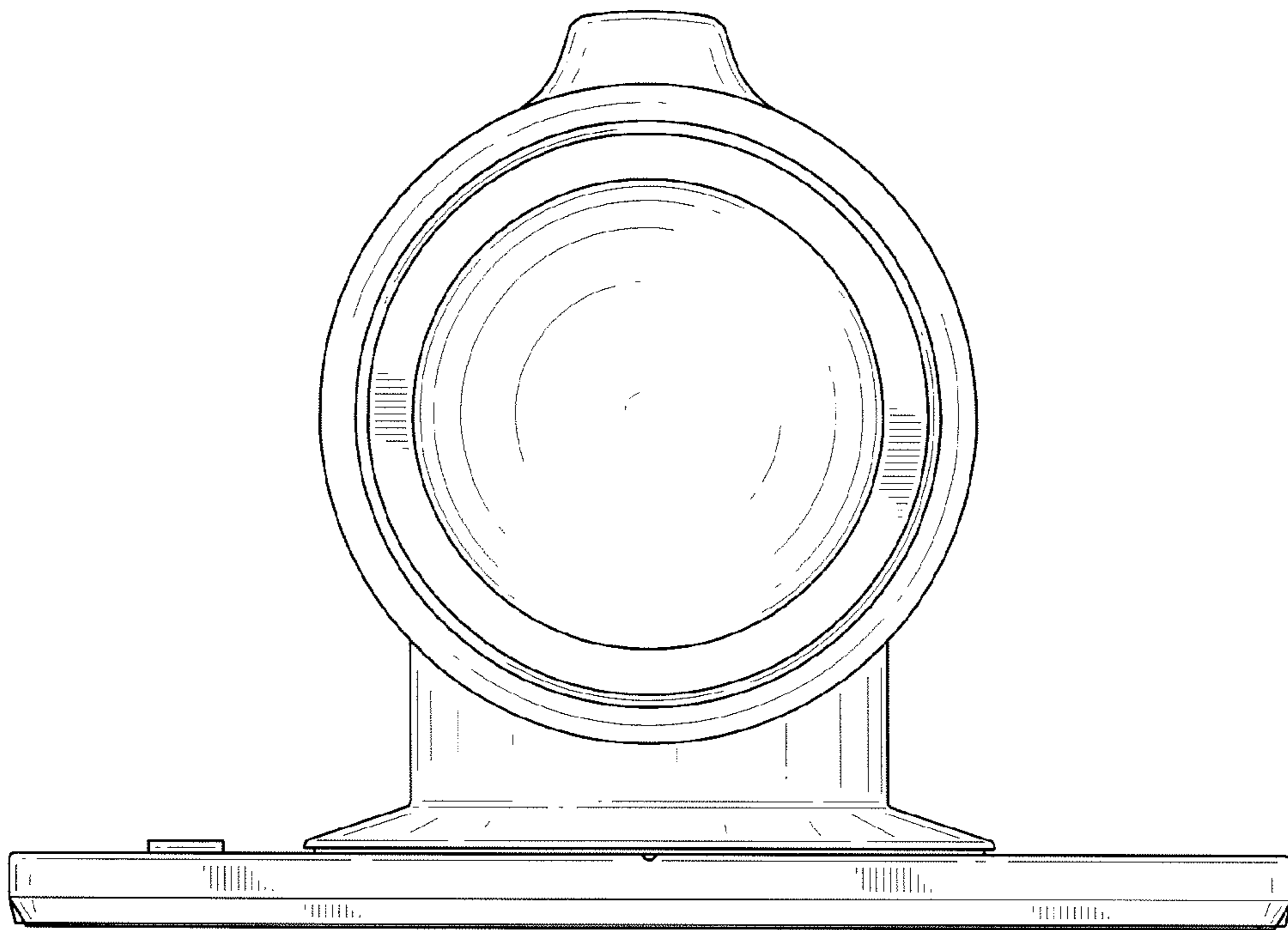


FIG. 2

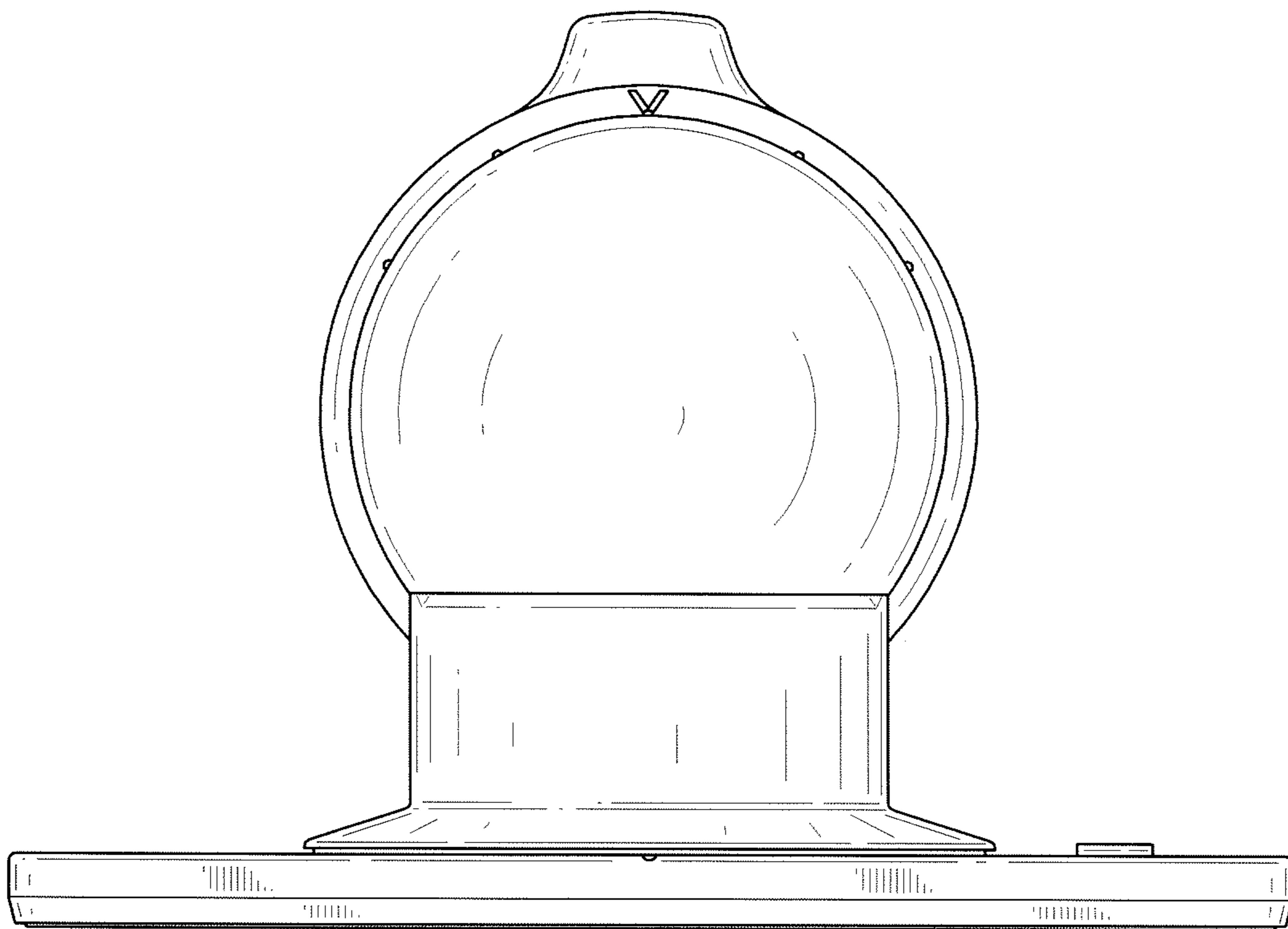


FIG. 3

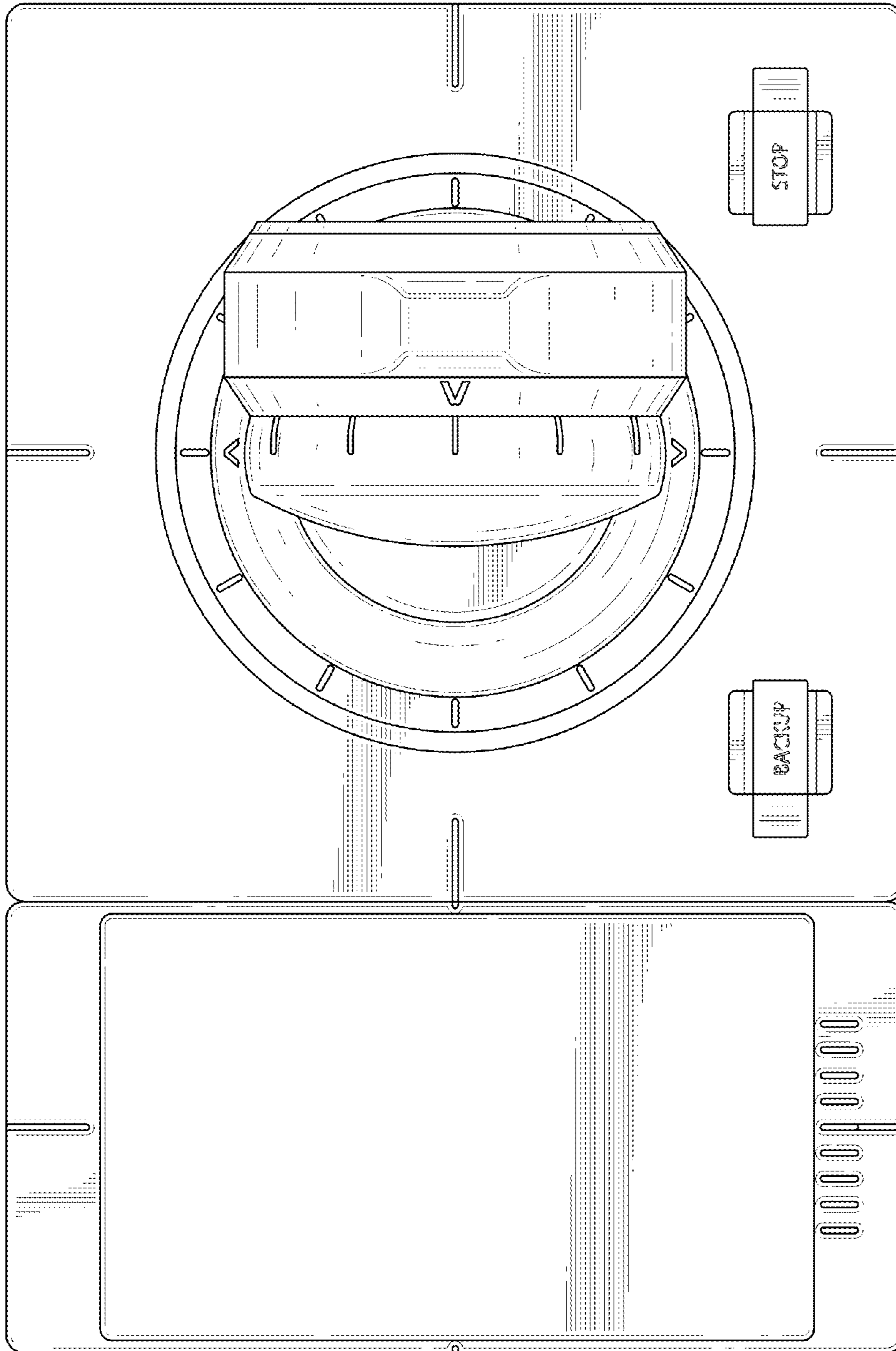


FIG.4

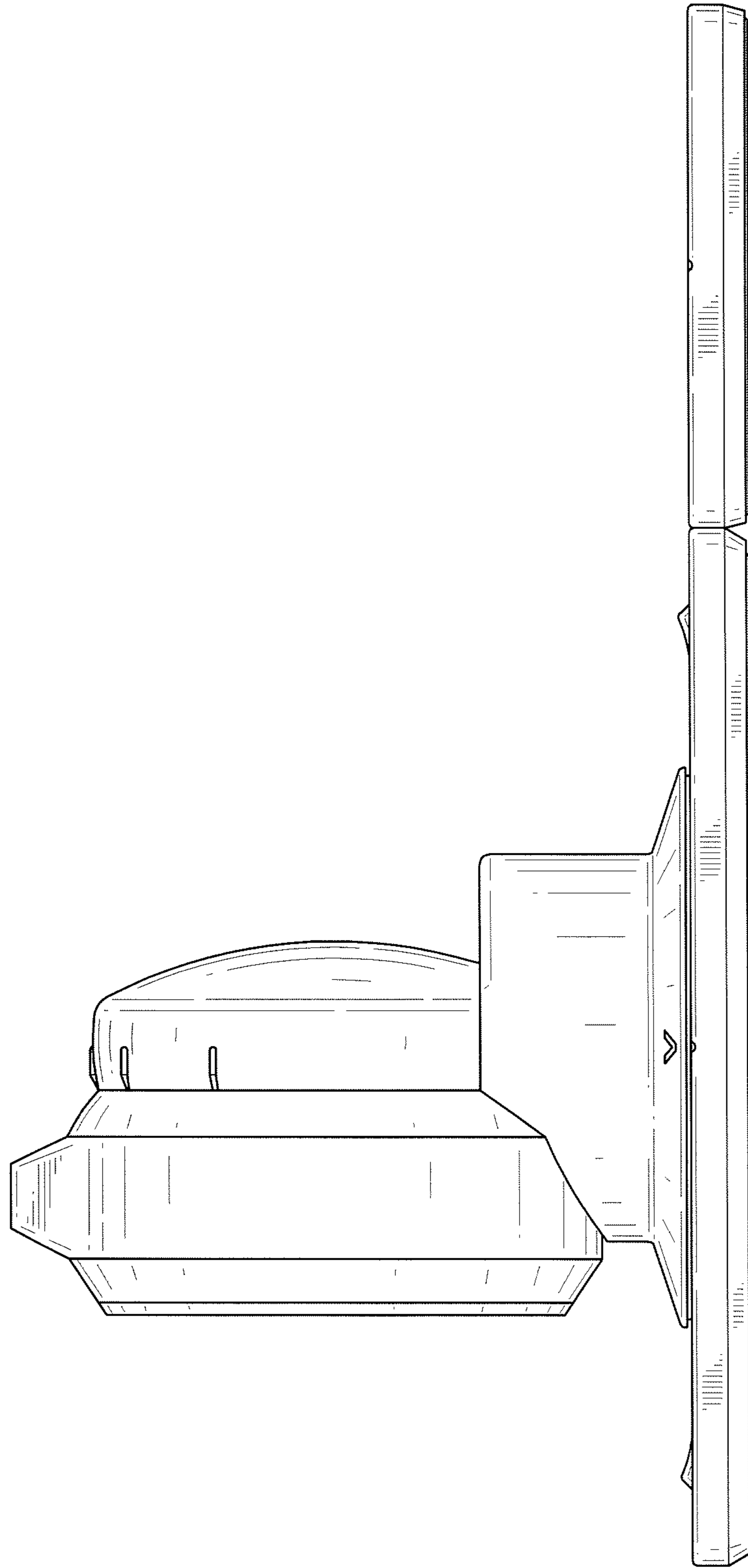


FIG. 5

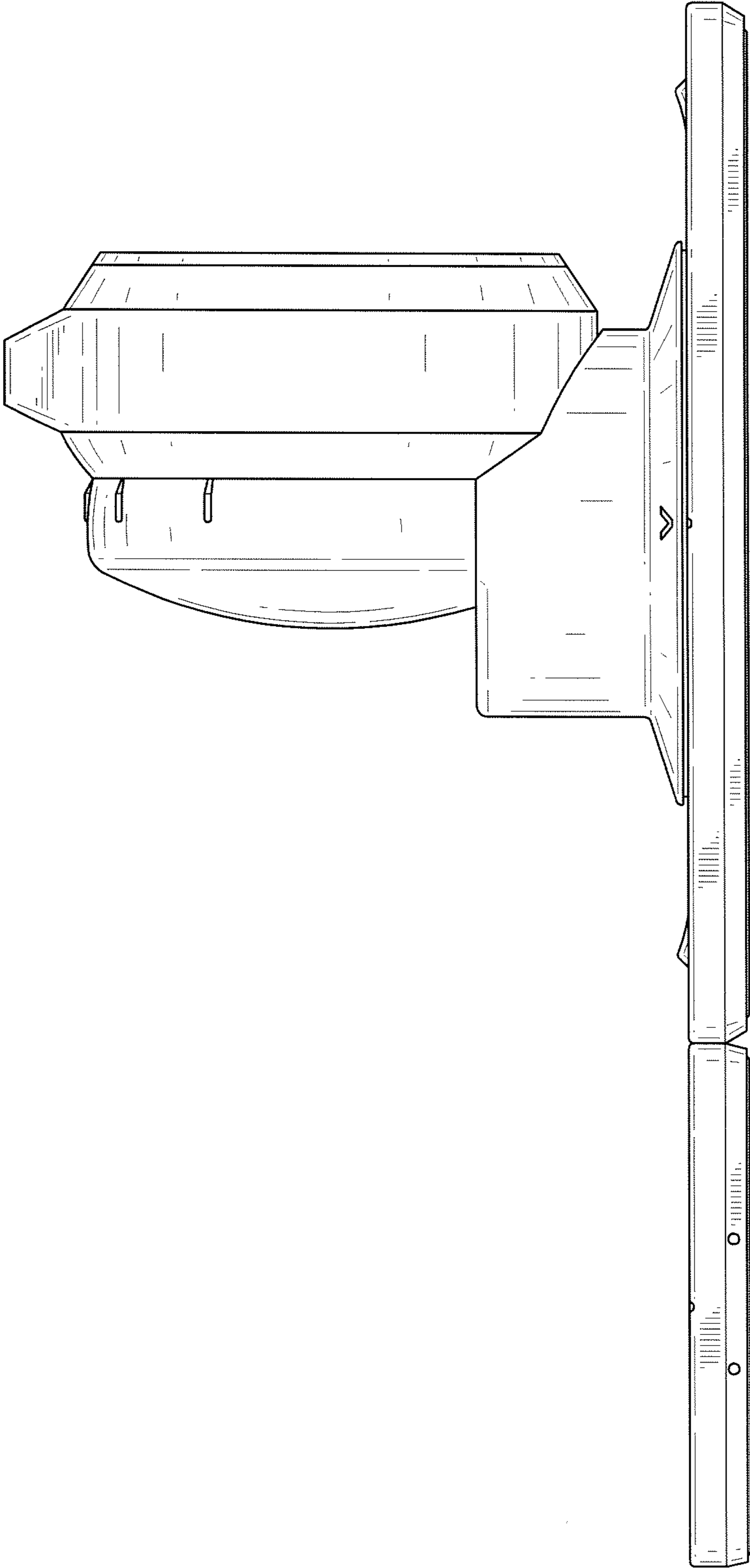


FIG. 6