

US00D755240S

(12) **United States Design Patent**  
**Cavander et al.**

(10) **Patent No.:** **US D755,240 S**  
(45) **Date of Patent:** **\*\* May 3, 2016**

(54) **DISPLAY SCREEN OR PORTION THEREOF WITH GRAPHICAL USER INTERFACE**

(71) Applicant: **Apple Inc.**, Cupertino, CA (US)

(72) Inventors: **Dmitri Cavander**, San Francisco, CA (US); **Alessandro Francesco Sabatelli**, San Francisco, CA (US); **Brian Andrew Schmitt**, San Francisco, CA (US)

(73) Assignee: **Apple Inc.**, Cupertino, CA (US)

(\*\*) Term: **14 Years**

(21) Appl. No.: **29/457,320**

(22) Filed: **Jun. 9, 2013**

(51) **LOC (10) Cl.** ..... **14-04**

(52) **U.S. Cl.**  
USPC ..... **D14/494**  
CPC ..... **G06F 3/04817** (2013.01)

(58) **Field of Classification Search**  
USPC ..... D14/485–495; D10/65;  
342/357.31–357.36; 715/700–867,  
715/973–977  
CPC ..... G06F 3/0481–3/0486  
See application file for complete search history.

(56) **References Cited**

**U.S. PATENT DOCUMENTS**

4,063,735	A	12/1977	Wendel	
D252,560	S	8/1979	Lonnroth	
2,027,952	A	1/1986	Bandoly	
5,146,231	A *	9/1992	Ghaem	G01C 17/30 342/357.31
D343,362	S *	1/1994	Soren	D10/65
D368,039	S *	3/1996	Tessier	D10/65
6,166,686	A *	12/2000	Lazar	G01C 17/38 342/357.36
6,292,137	B1 *	9/2001	Agnew	G01C 17/04 33/355 R
7,299,417	B1	11/2007	Barris et al.	

D566,722	S	4/2008	Jackson
D597,101	S	7/2009	Chaudhri et al.
D604,305	S	11/2009	Anzures et al.
D617,334	S	6/2010	Chaudhri
D625,733	S	10/2010	Anzures
D644,239	S	8/2011	Anzures et al.
D644,658	S	9/2011	Lemay
2009/0064038	A1	3/2009	Fleischman et al.
2009/0304359	A1	12/2009	Lemay et al.

**OTHER PUBLICATIONS**

Garmin eTrex manual. Copyright 2011.\*  
Registered Trademark Serial No. 78954417, Apple Inc., filing date Aug. 17, 2006, first use date: Jan. 7, 2003.  
U.S. Appl. No. 29/281,460, filed Jun. 23, 2007.  
Registered Trademark Serial No. 85019789, Apple Inc., filing date Apr. 21, 2010, first use date: Jun. 19, 2009.  
Registered Trademark Serial No. 85019857, Apple Inc., filing date Apr. 21, 2010, first use date: Jun. 29, 2007.  
Trademark Serial No. 85970994, Apple Inc., filing date Jun. 26, 2013, priority filing date: Apr. 3, 2013.

(Continued)

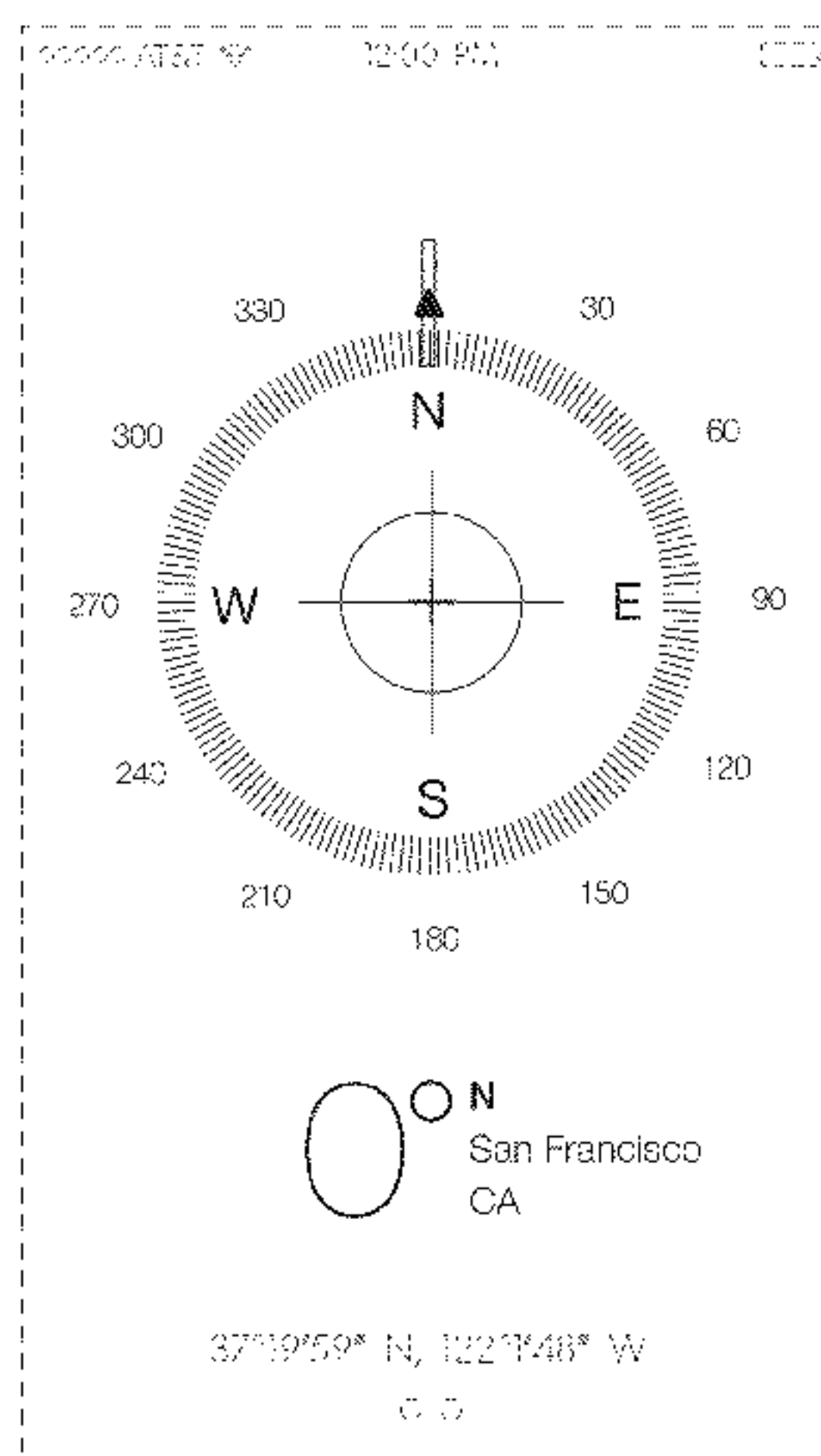
*Primary Examiner* — Richard E Chilcot  
(74) *Attorney, Agent, or Firm* — Sterne, Kessler, Goldstein & Fox P.L.L.C.

(57) **CLAIM**  
The ornamental design for a display screen or portion thereof with graphical user interface, as shown and described.

**DESCRIPTION**

FIG. 1 is a front view of a display screen or portion thereof with graphical user interface showing our new design; and, FIG. 2 is another embodiment thereof.  
The outermost broken lines in the figures show a display screen or portion thereof, and form no part of the claimed design.  
The other broken lines in the figures show portions of the graphical user interface that form no part of the claimed design.

**1 Claim, 1 Drawing Sheet**



(56)

**References Cited**

“Compass & Map” app, AppBrain, <<http://www.appbrain.com/app/compass-map/com.electricsheep.boussole>>.

OTHER PUBLICATIONS

Trademark Serial No. 85971613, Apple Inc., filing date Jun. 27, 2013,  
priority filing date: Apr. 3, 2013.

\* cited by examiner

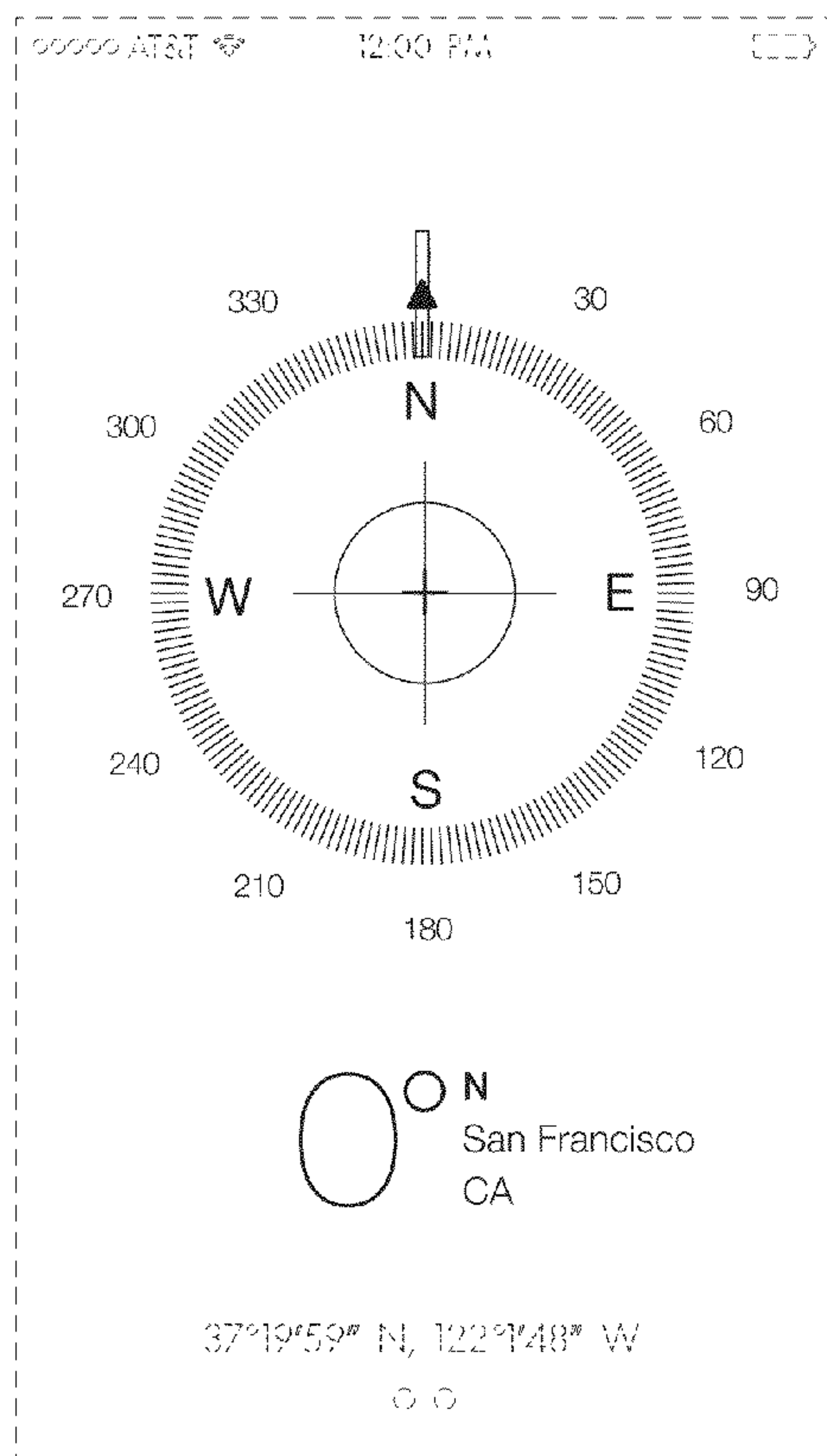


FIG. 1

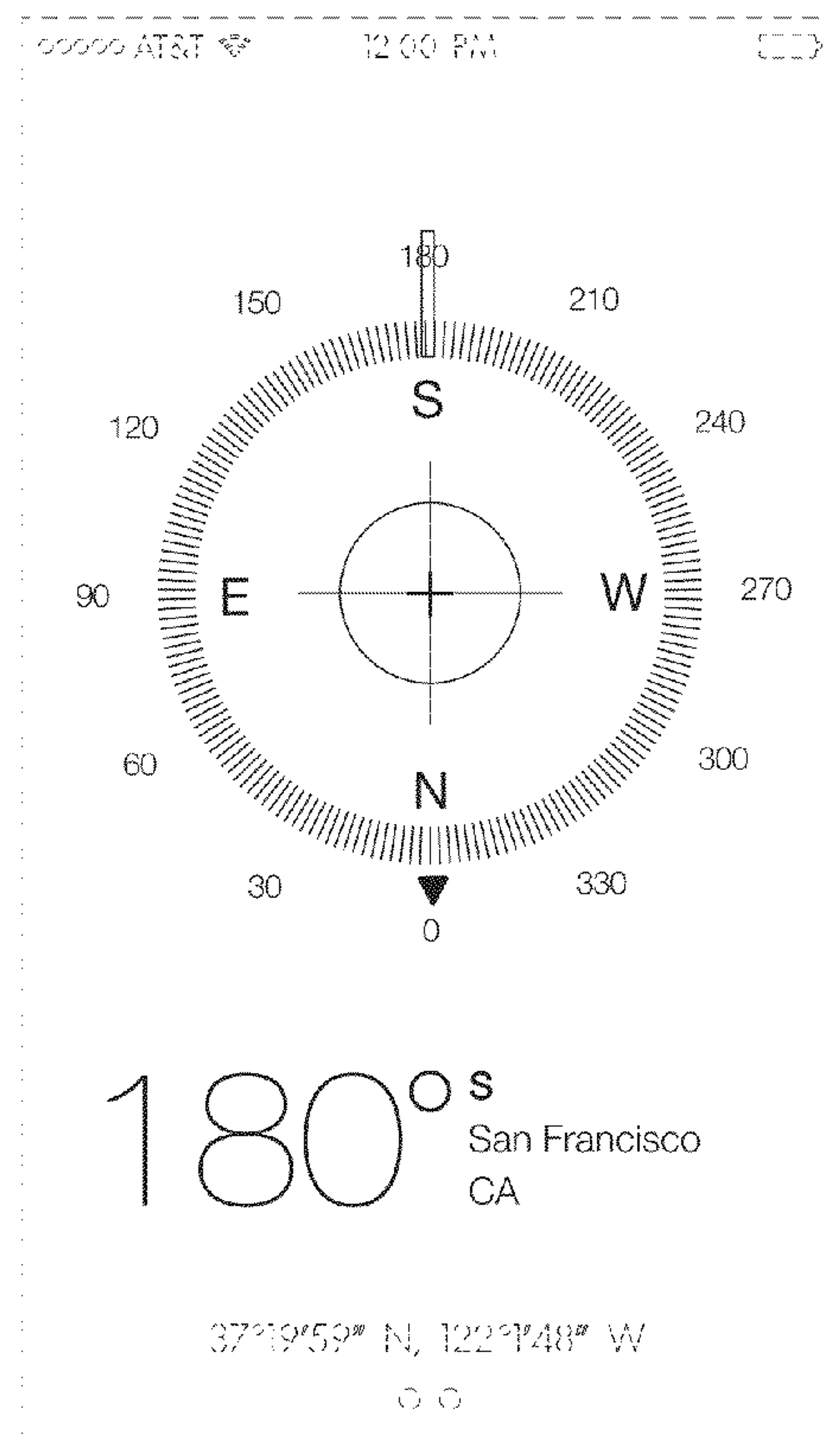


FIG. 2