



US00D755205S

(12) **United States Design Patent**
Sanderson

(10) **Patent No.:** **US D755,205 S**

(45) **Date of Patent:** **** May 3, 2016**

(54) **DISPLAY SCREEN WITH ANIMATED GRAPHICAL USER INTERFACE**

(71) Applicant: **Microsoft Corporation**, Redmond, WA (US)

(72) Inventor: **Eric Sanderson**, Seattle, WA (US)

(73) Assignee: **Microsoft Corporation**, Redmond, WA (US)

(**) Term: **14 Years**

(21) Appl. No.: **29/492,844**

(22) Filed: **Jun. 3, 2014**

(51) **LOC (10) Cl.** **14-04**

(52) **U.S. Cl.**
USPC **D14/485**

(58) **Field of Classification Search**
USPC D14/485-495
CPC G06F 3/04817; G06F 3/0482
See application file for complete search history.

(56) **References Cited**

U.S. PATENT DOCUMENTS

6,781,610	B2 *	8/2004	Os	G06F 3/0482
					340/990
D550,227	S *	9/2007	Sato	D14/485
D565,579	S *	4/2008	Gunn	D14/485
D567,249	S *	4/2008	Gunn	D14/485
D607,893	S *	1/2010	Kanga	D14/485
D614,648	S *	4/2010	Arnell	D14/489
D625,324	S *	10/2010	Fitzmaurice	D14/488

(Continued)

OTHER PUBLICATIONS

Fading Circles loader image | posted at Preloader.net, product ID 681590; published Jul. 12, 2012 © 2008-2015 OnlineGenerator.net [online], [site visited Nov. 9, 2015]. Available on Internet <URL:http://preloaders.net/en/miscellaneous/fading-circles/>.*

(Continued)

Primary Examiner — Sheryl Lane

Assistant Examiner — Katherine Glennon

(74) *Attorney, Agent, or Firm* — Banner & Witcoff, Ltd.

(57) **CLAIM**

The ornamental design for a display screen with animated graphical user interface, as shown and described.

DESCRIPTION

FIG. 1 is the first image in a sequence for a display screen with animated graphical user interface showing our new design; FIG. 2 is the second image thereof; FIG. 3 is the third image thereof; FIG. 4 is the fourth image thereof; FIG. 5 is the fifth image thereof; FIG. 6 is the sixth image thereof; FIG. 7 is the seventh image thereof; FIG. 8 is the eighth image thereof; FIG. 9 is the ninth image thereof; FIG. 10 is the tenth image thereof; FIG. 11 is the eleventh image thereof; FIG. 12 is the twelfth image thereof; FIG. 13 is the thirteenth image thereof; FIG. 14 is the fourteenth image thereof; FIG. 15 is the fifteenth image thereof; FIG. 16 is the sixteenth image thereof; FIG. 17 is the seventeenth image thereof; FIG. 18 is the eighteenth image thereof; FIG. 19 is the nineteenth image thereof; and, FIG. 20 is the twentieth image thereof.

The appearance of the animated graphical user interface sequentially transitions between the images shown in FIGS. 1-20. The process or period in which one image transitions to another forms no part of the claimed design. The broken line showing of the remainder of the user interface and the remainder of the display screen is for environmental purposes only and forms no part of the claimed design.

1 Claim, 20 Drawing Sheets



(56)

References Cited

U.S. PATENT DOCUMENTS

D650,789 S * 12/2011 Arnold D14/488
 D650,790 S * 12/2011 Jeans D14/488
 D652,841 S * 1/2012 Arnold D14/488
 D654,928 S * 2/2012 Morrow D14/492
 D656,952 S * 4/2012 Weir D14/488
 D656,954 S * 4/2012 Arnold D14/489
 D660,864 S * 5/2012 Anzures D14/486
 D664,153 S * 7/2012 Van Slembrouck D14/489
 D665,421 S * 8/2012 Morrow D14/492
 D665,422 S * 8/2012 Morrow D14/492
 D691,171 S * 10/2013 Brinda D14/488
 D695,783 S * 12/2013 Edwards D14/488
 D699,745 S * 2/2014 Pearson D14/488
 D703,693 S * 4/2014 Brinda D14/488
 D705,787 S * 5/2014 Talbot D14/485
 D706,802 S * 6/2014 Myung D14/486
 D709,917 S * 7/2014 Faulkner D14/494
 D713,416 S * 9/2014 Lee D14/486
 D726,221 S * 4/2015 Gomez D14/492

D730,367 S * 5/2015 Ryan D14/485
 D730,930 S * 6/2015 Jeon D14/486
 D732,570 S * 6/2015 Choi D14/488
 D734,773 S * 7/2015 Barbato D14/486
 D736,239 S * 8/2015 Maner D14/486
 D742,406 S * 11/2015 DuPont D14/488
 D744,000 S * 11/2015 Villamor D14/488
 2015/0097666 A1 * 4/2015 Boyd G01N 27/02
 340/517

OTHER PUBLICATIONS

Pushing Pixels by Dave Rau for Inkling | posted at Dribbble.com Nov. 4, 2013 Copyright © 2009-2015 Dribbble LLC. [online], [site visited Nov. 9, 2014]. Available from Internet, <URL:https://dribbble.com/shots/1297577-Pushing-Pixels-GIF>.*

Xbox One boot screen | posted at xboxachievements.com Jul. 24, 2014 Copyright 2006-2014 [online], [site visited Nov. 9 2015]. Available from Internet <URL:http://www.xboxachievements.com/news/news-18767-Xbox-One-August-Update-Adds-Boot-Screen-Animation.html>.*

* cited by examiner



FIG. 1

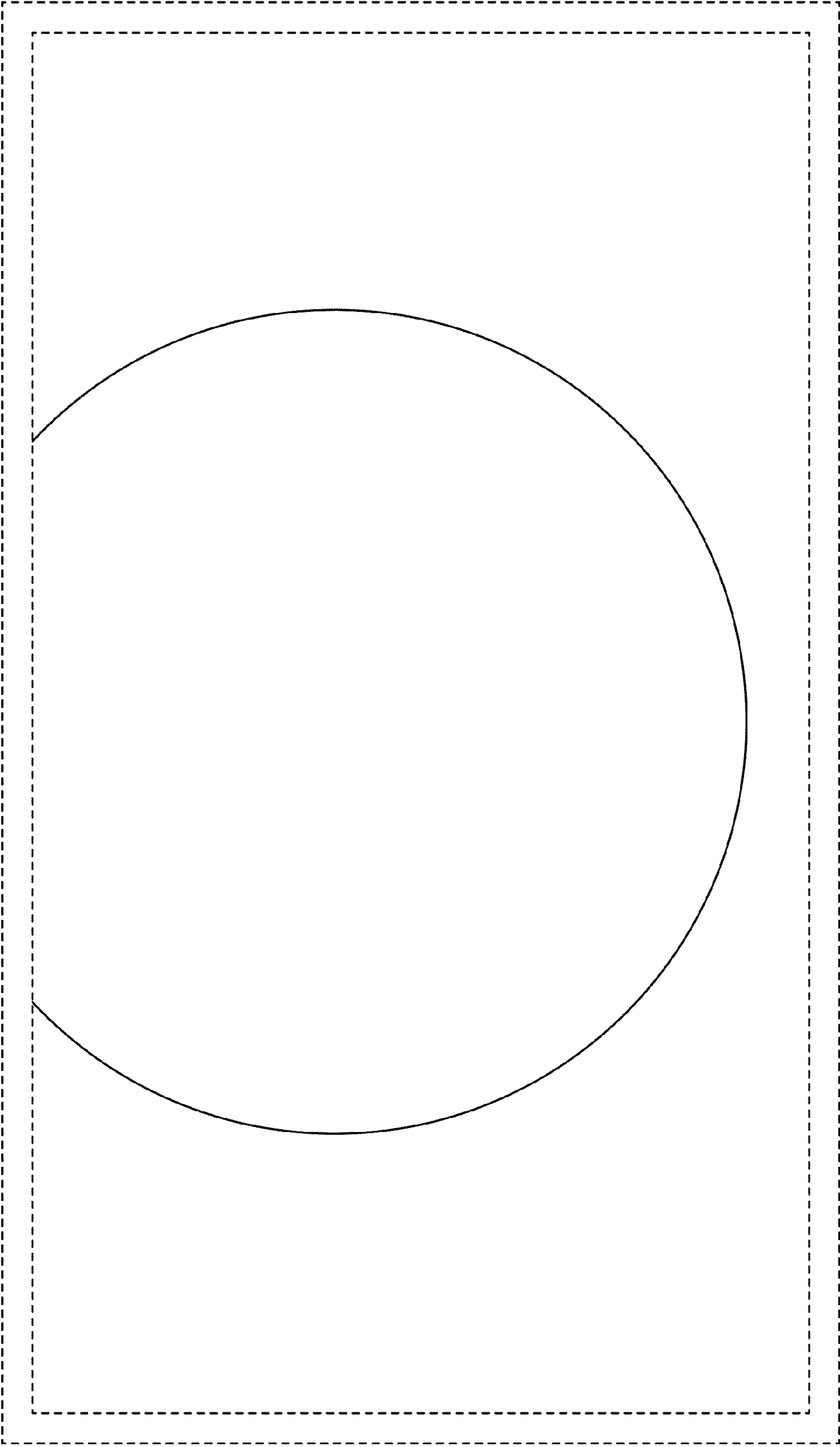


FIG. 2

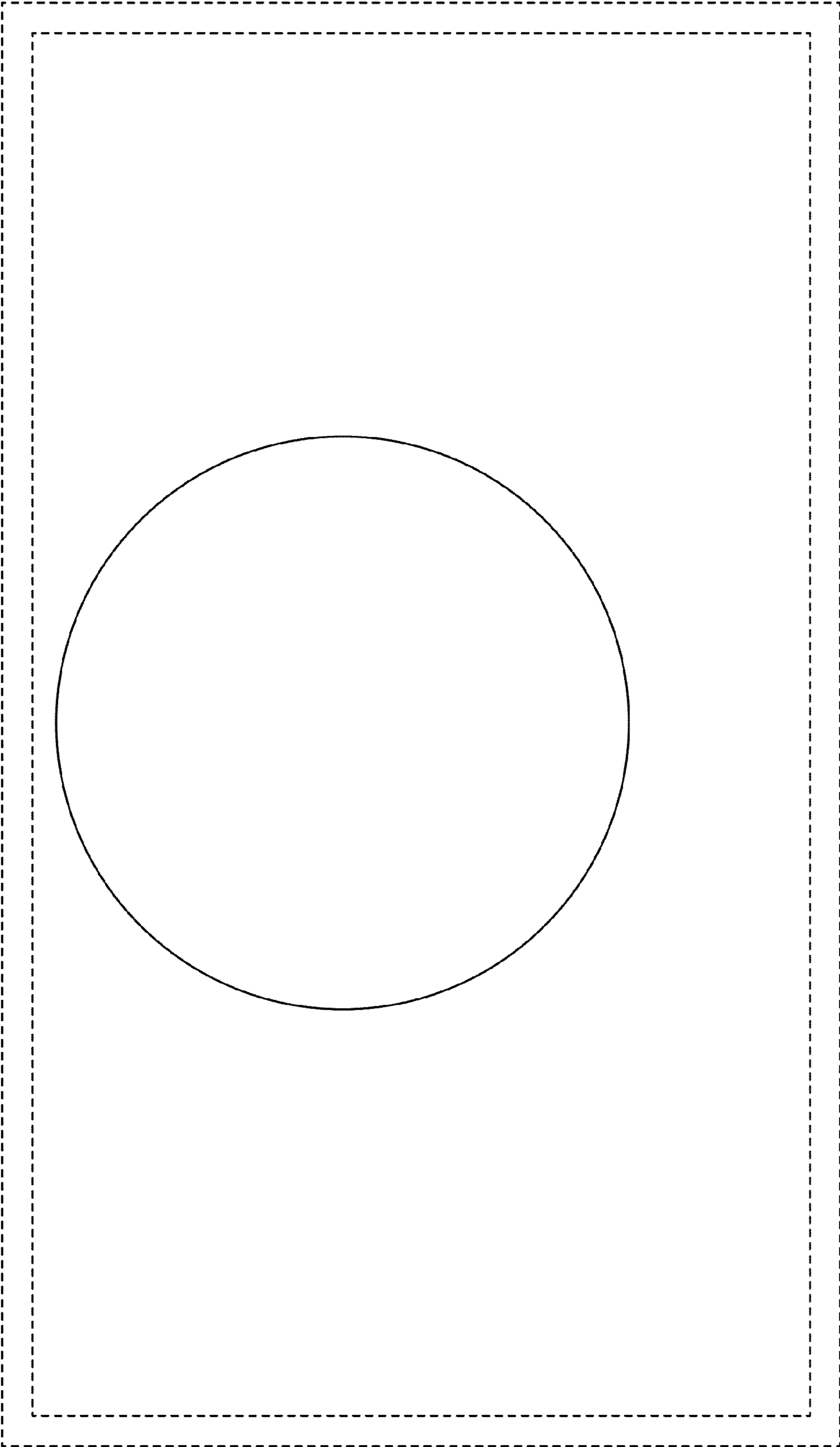


FIG. 3

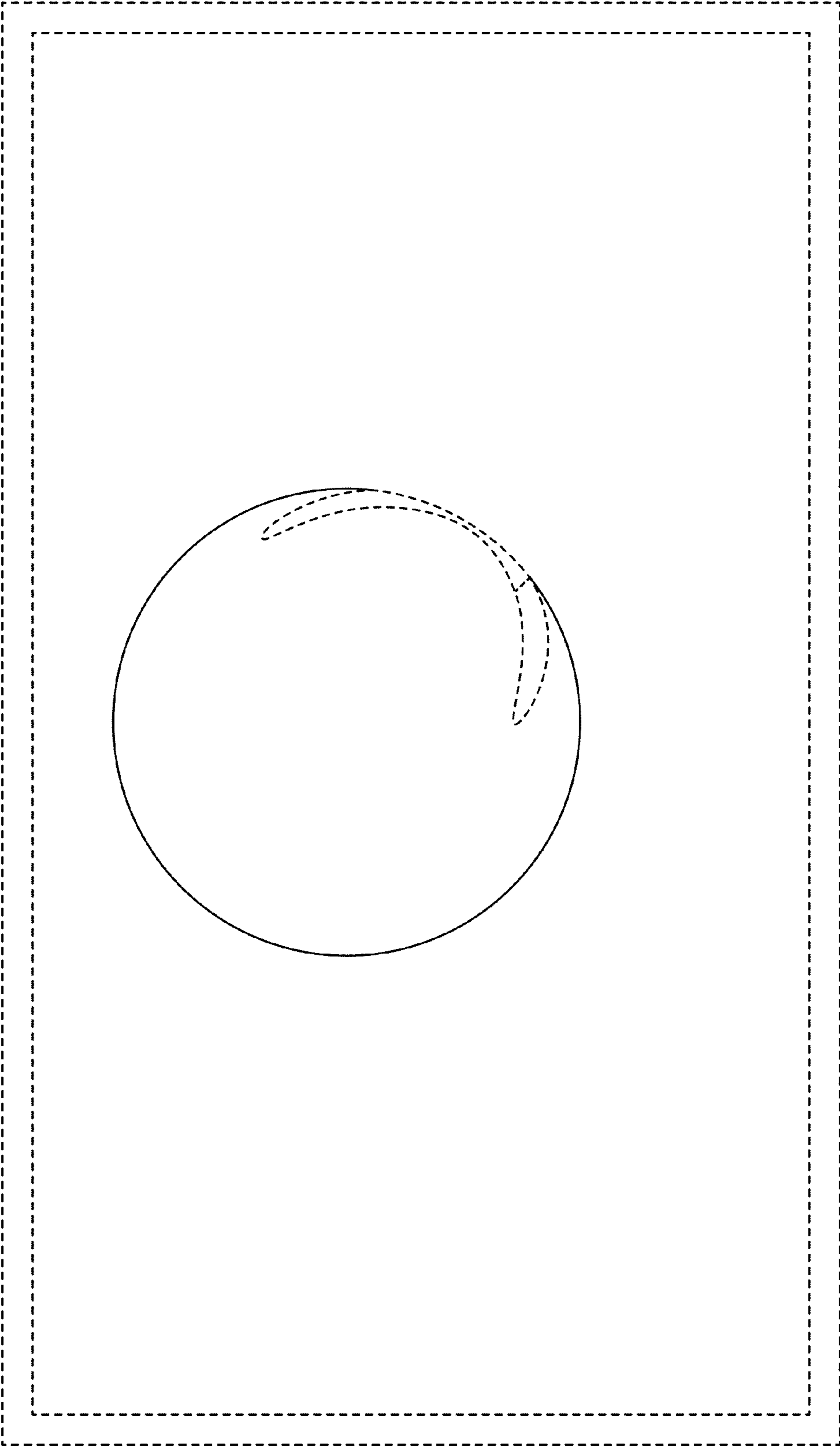


FIG. 4

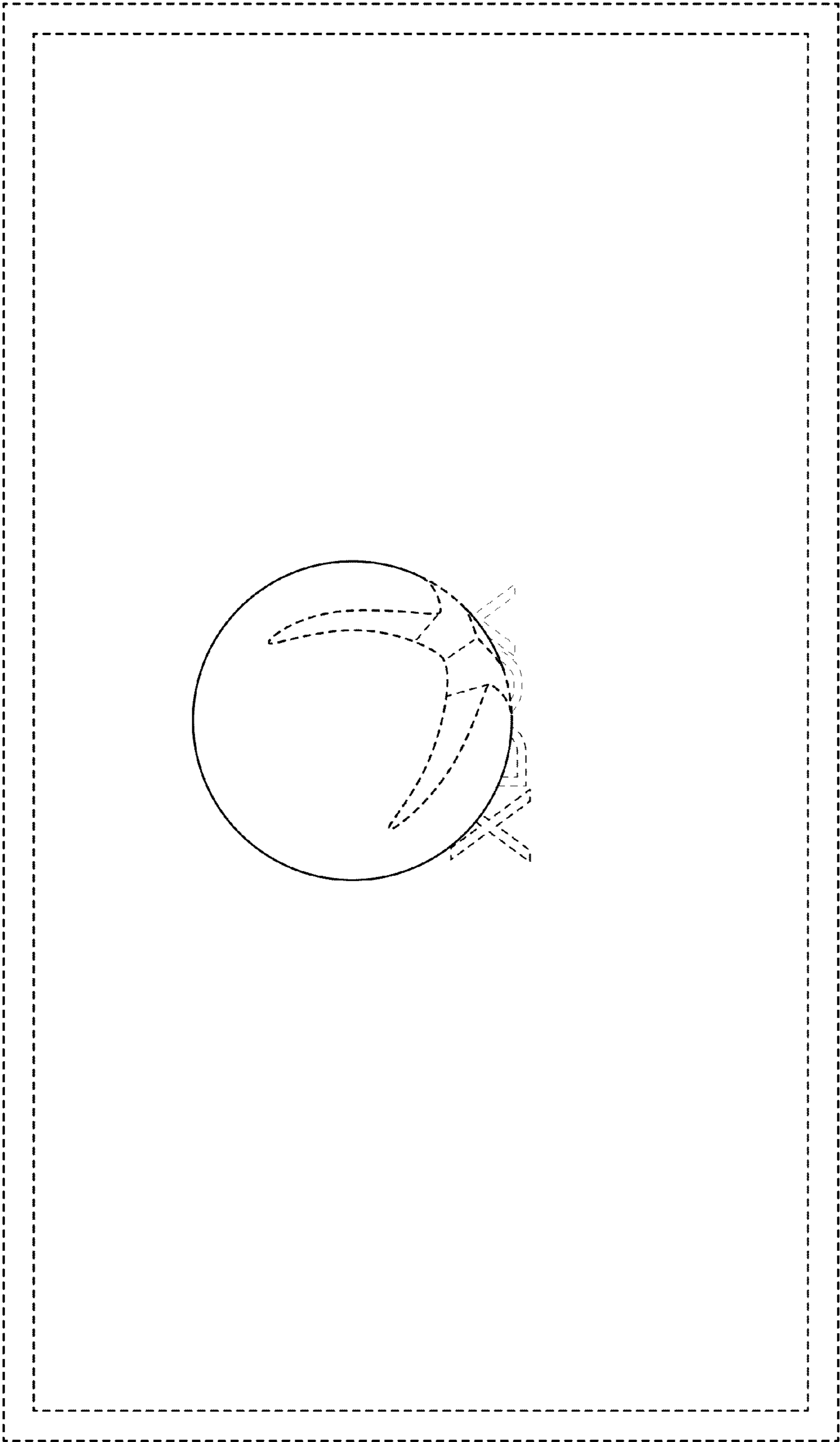


FIG. 5

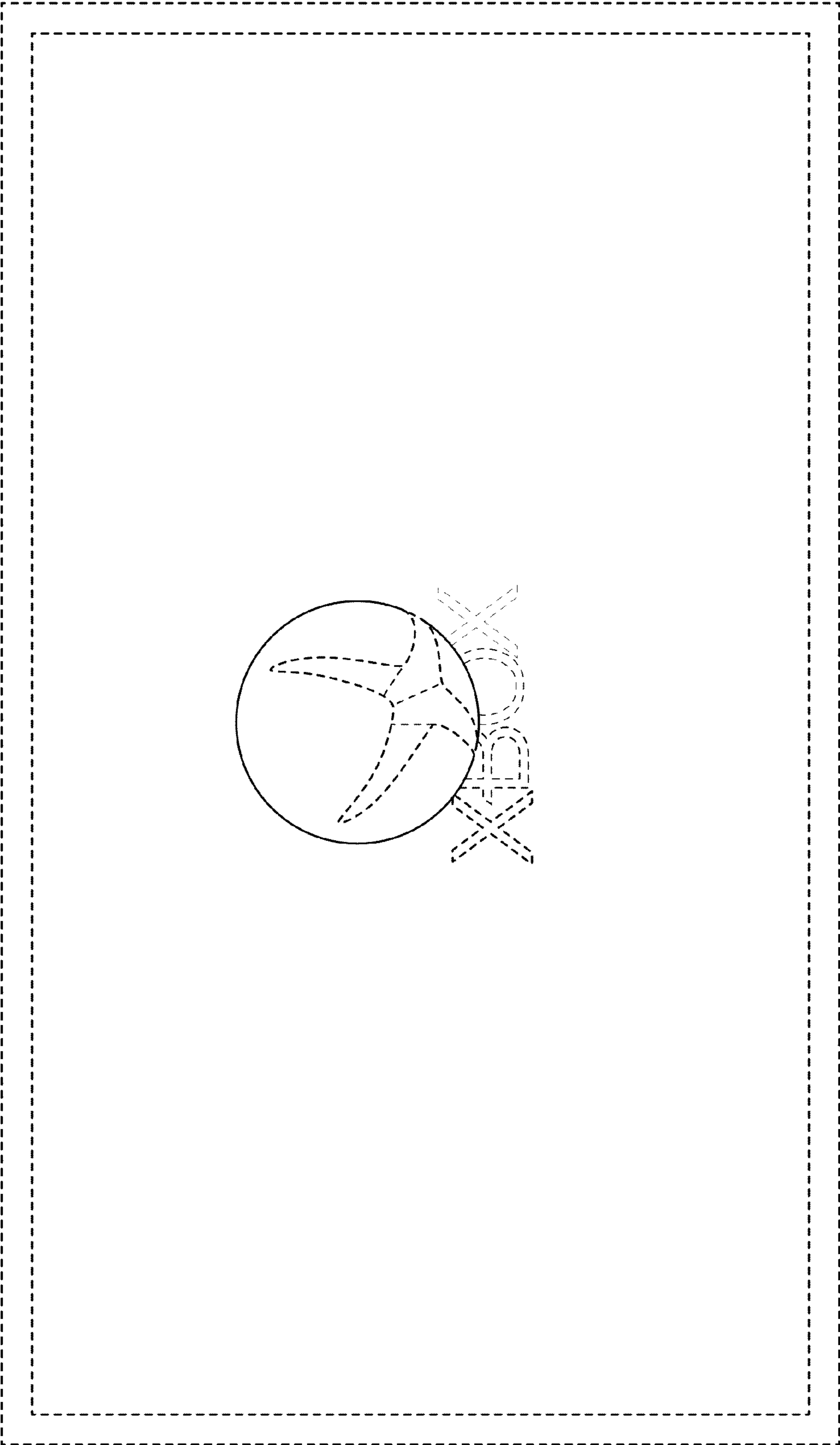


FIG. 6

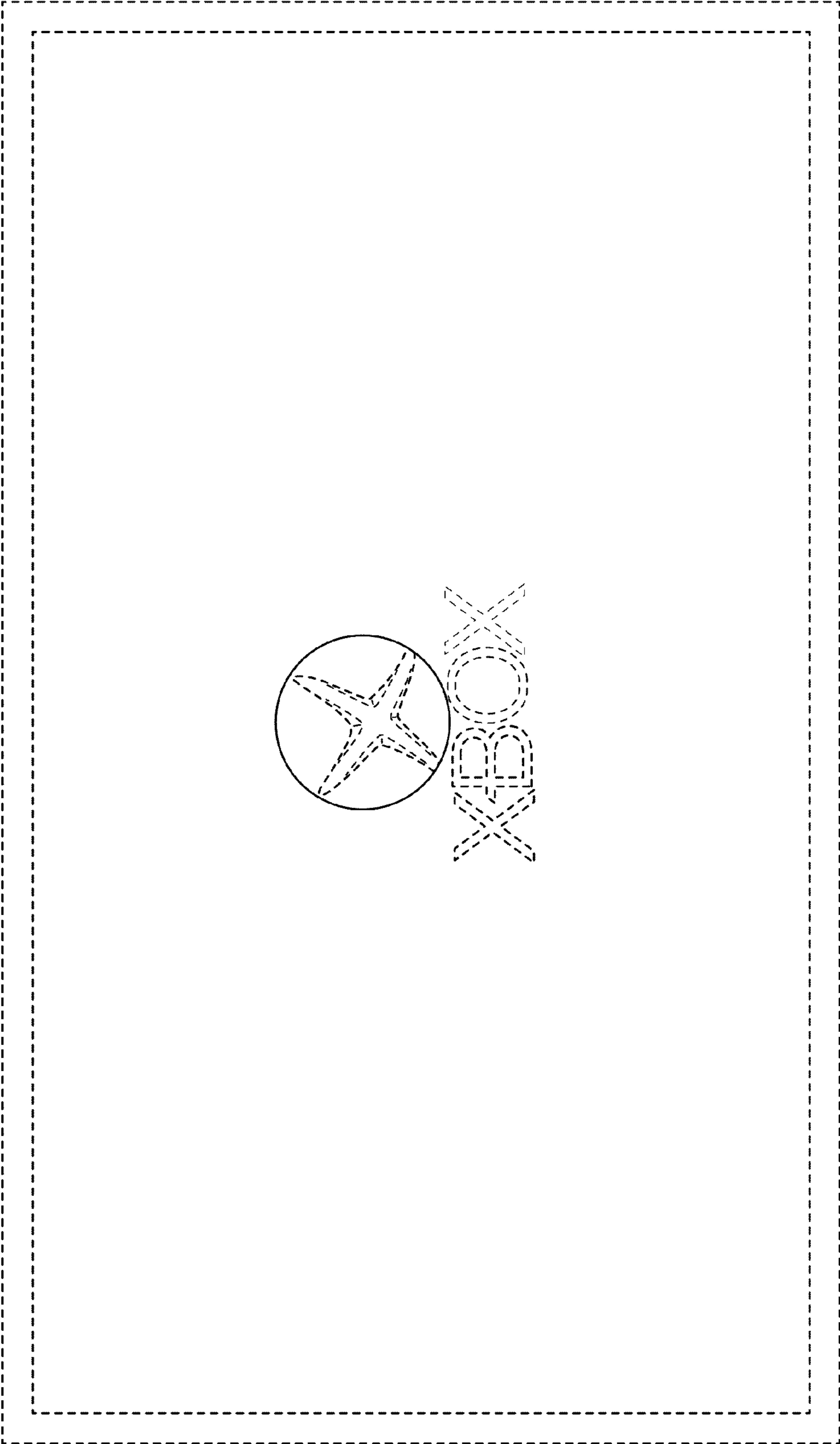


FIG. 7

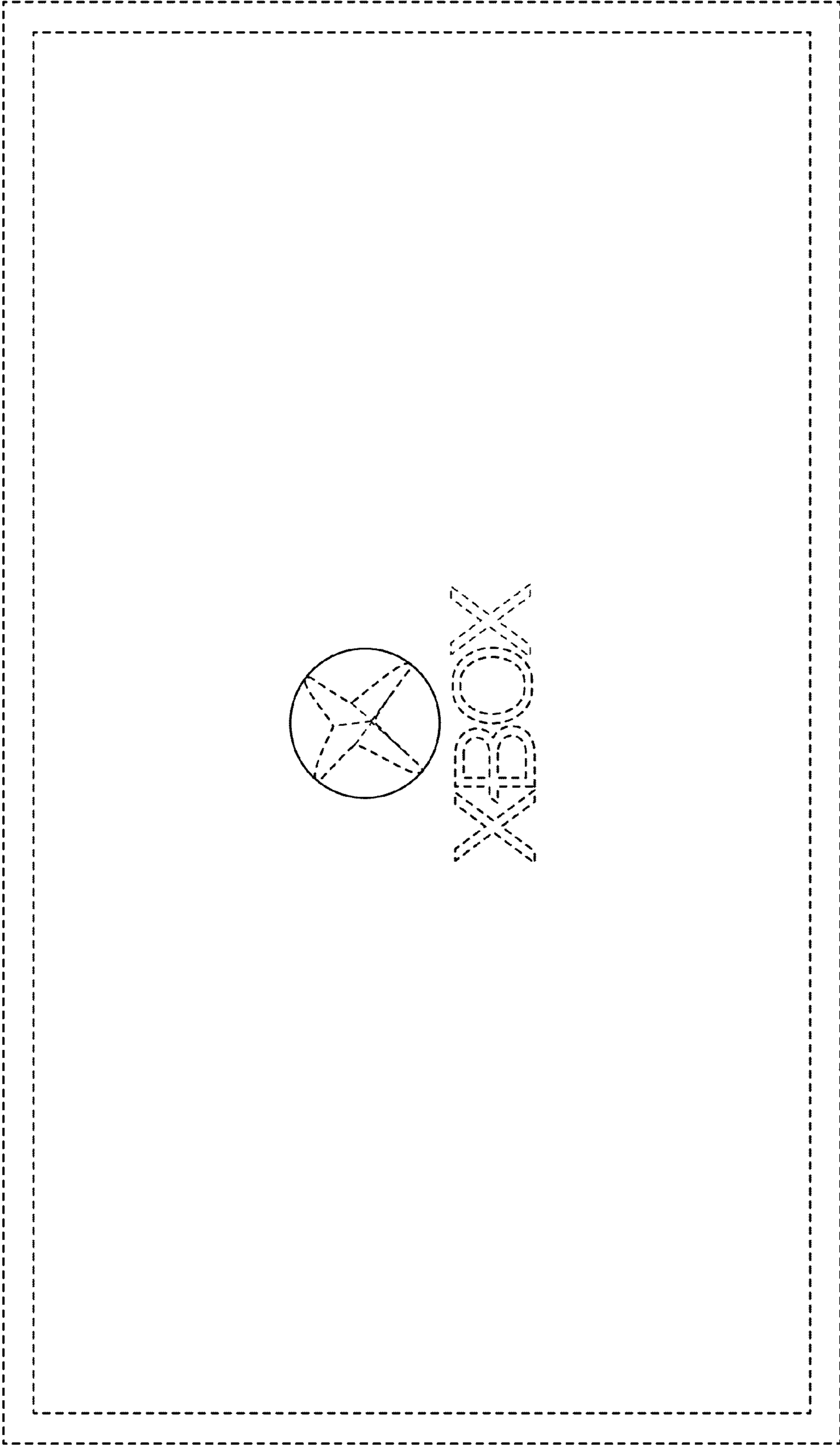


FIG. 8

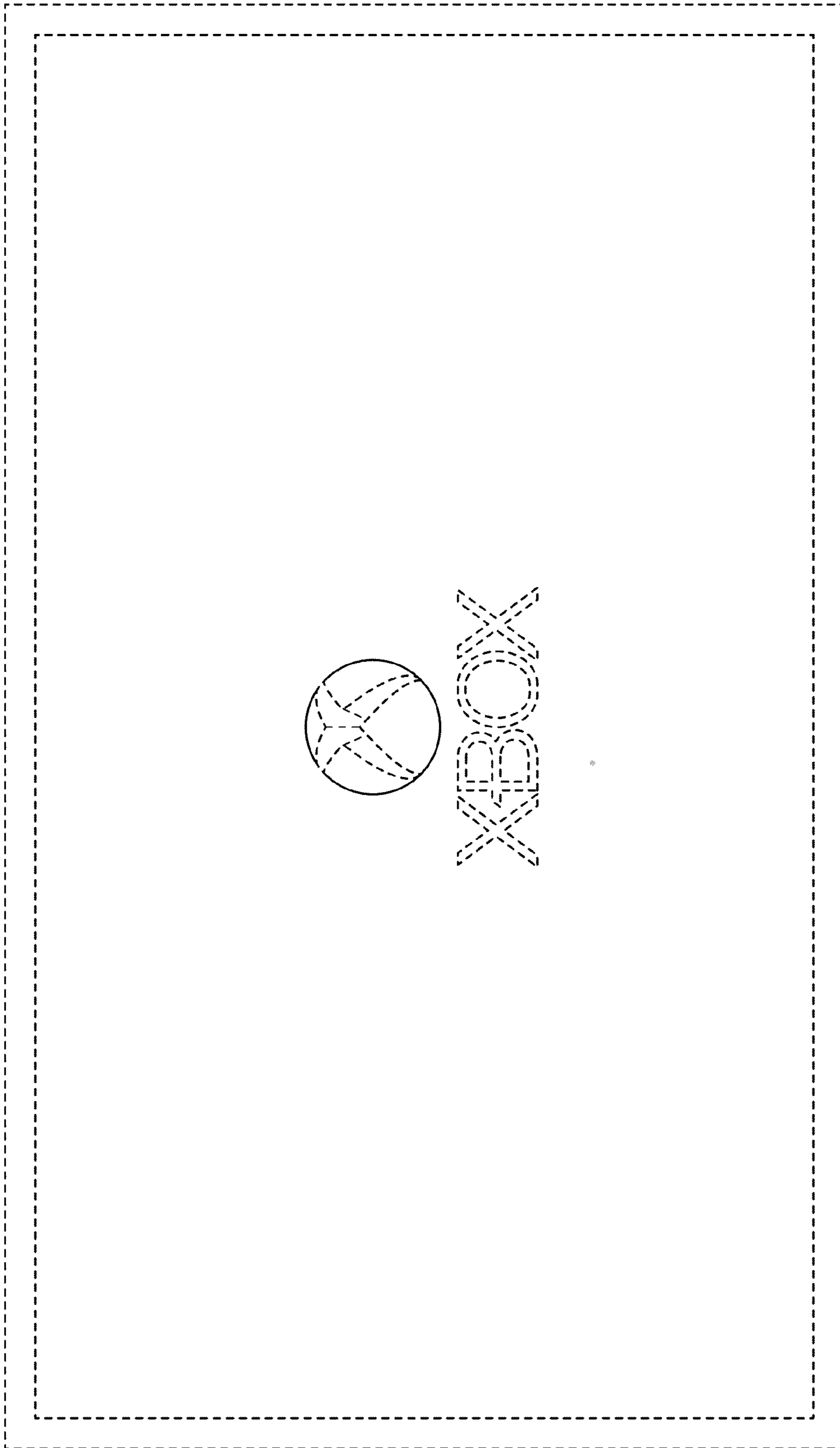


FIG. 9

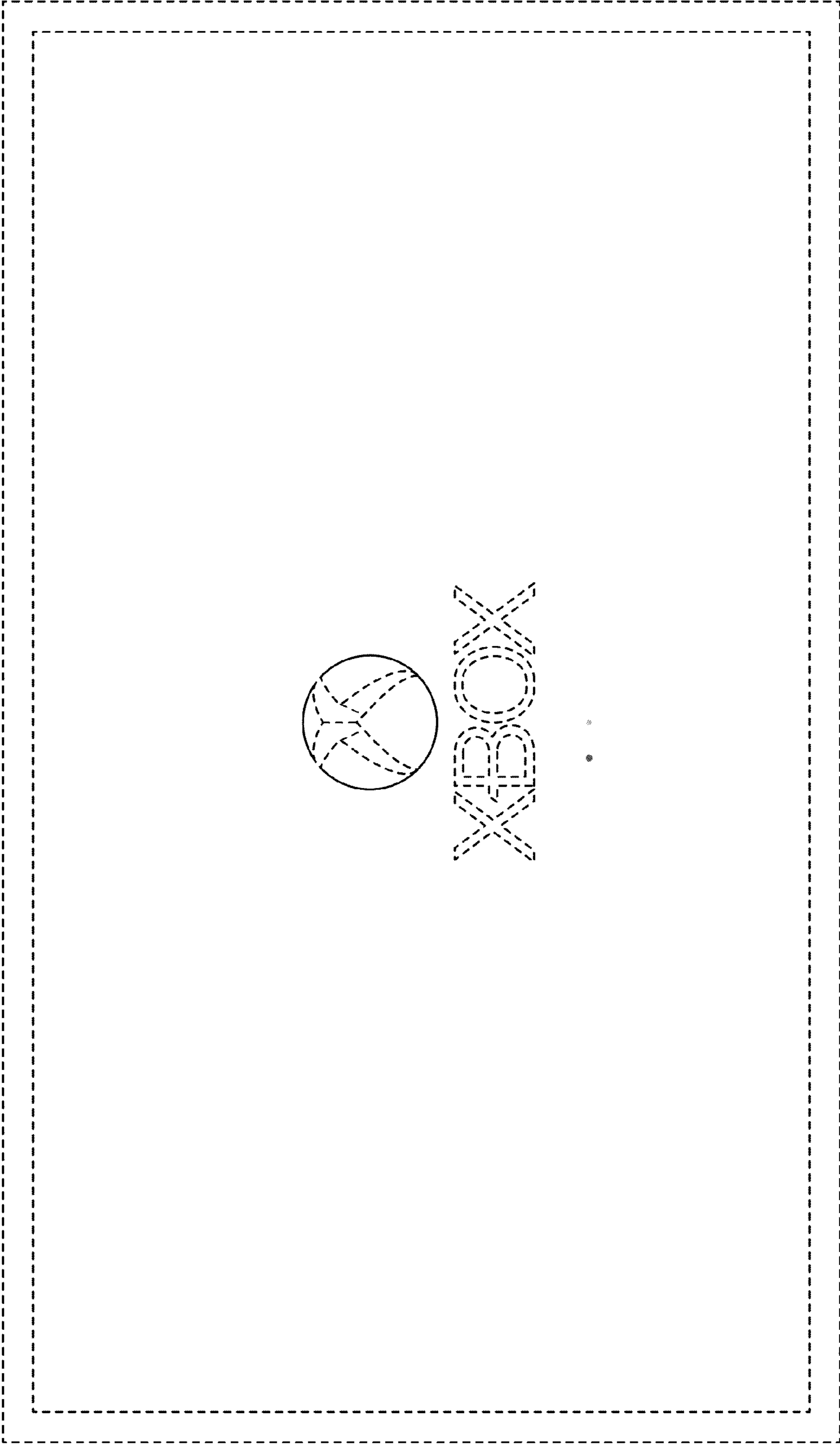


FIG. 10

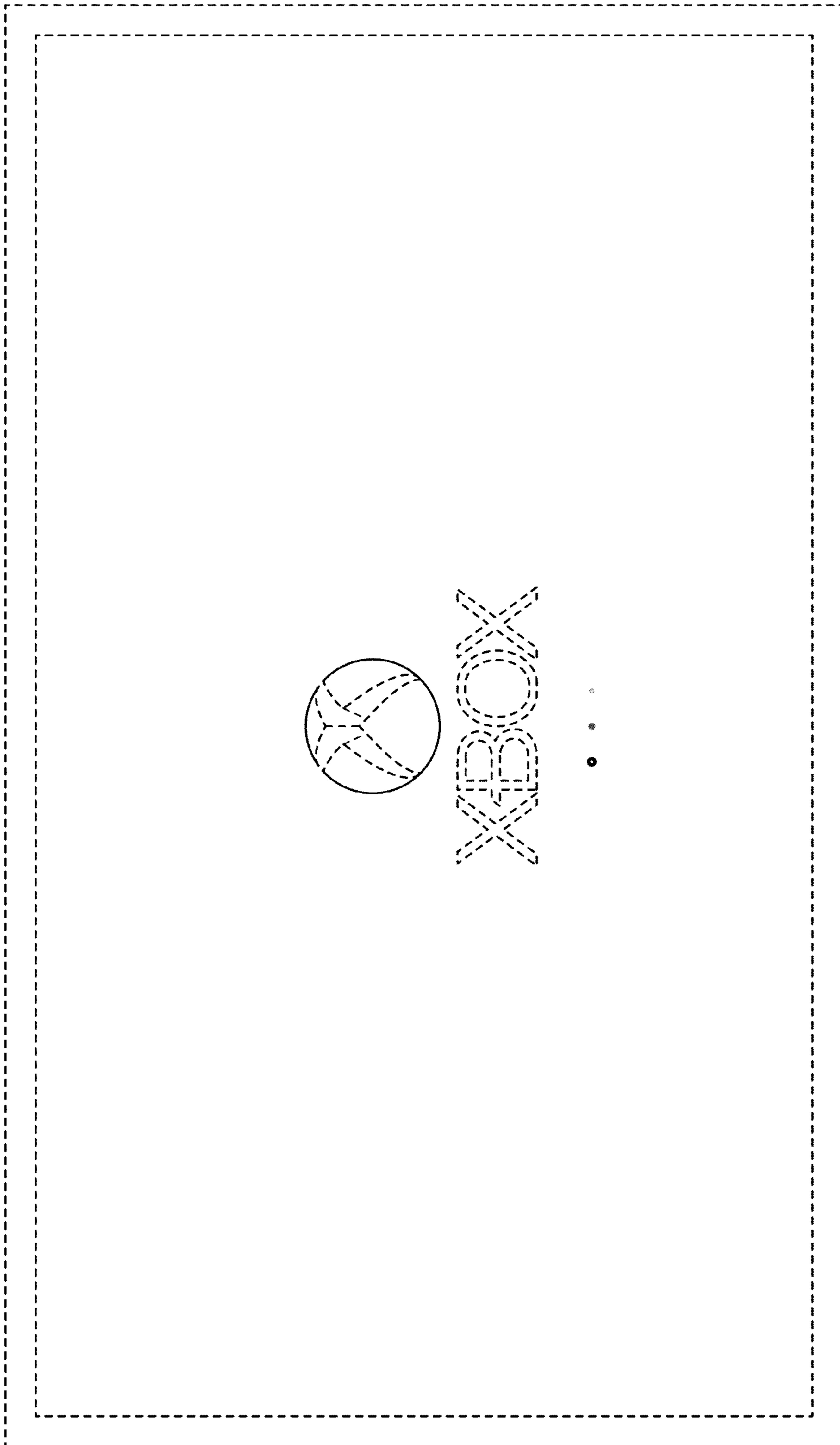


FIG. 11

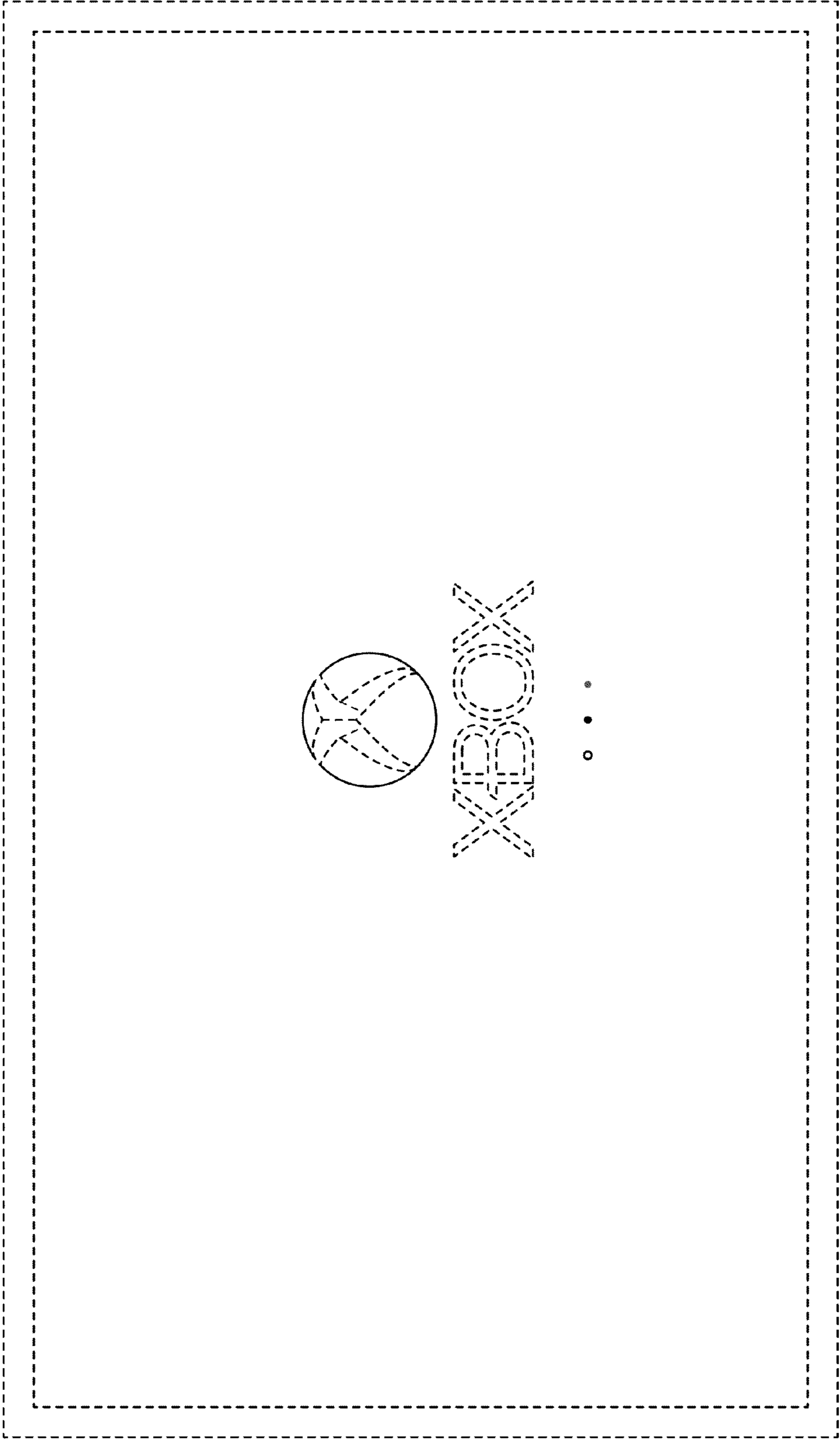


FIG. 12

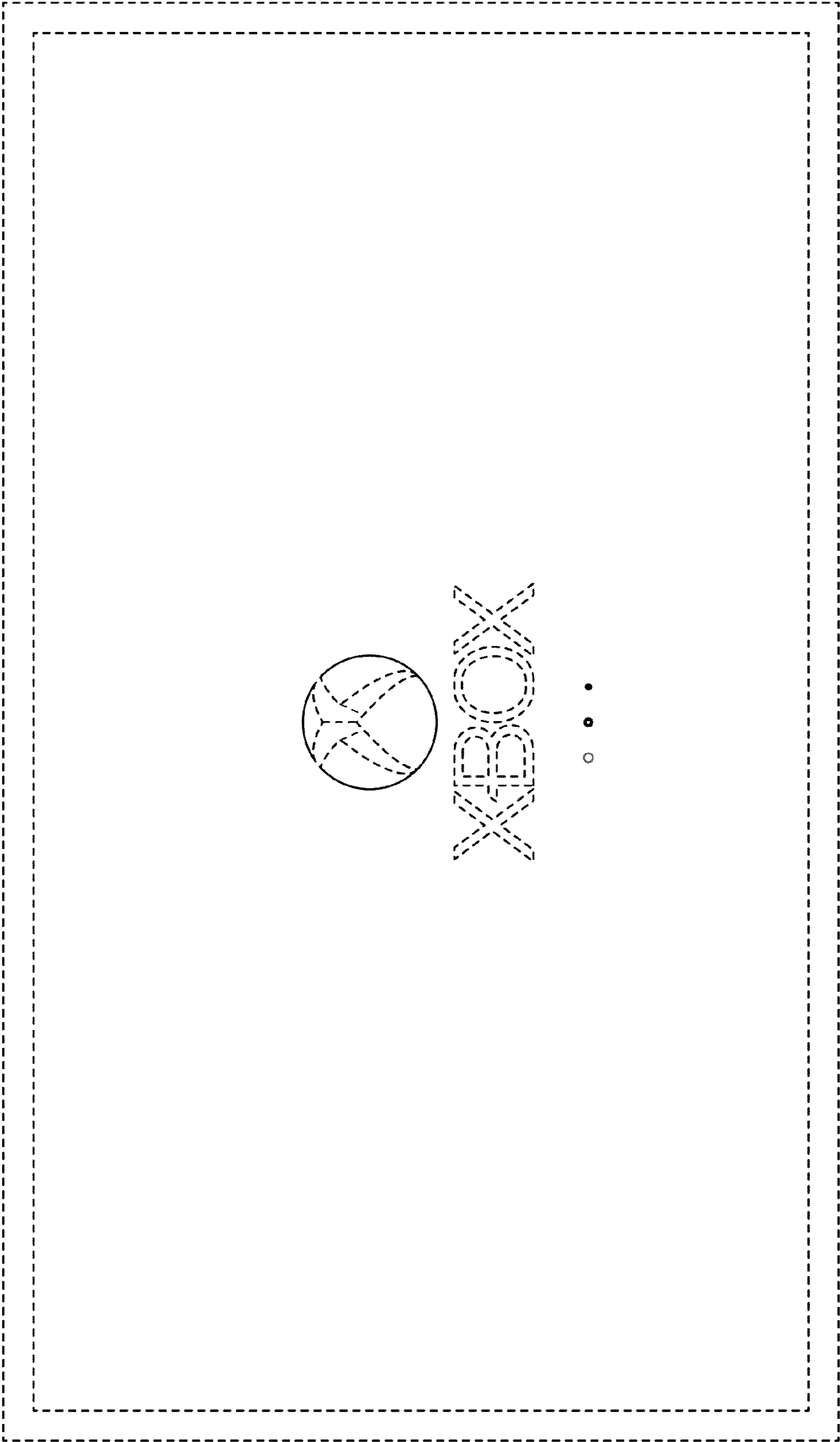


FIG. 13

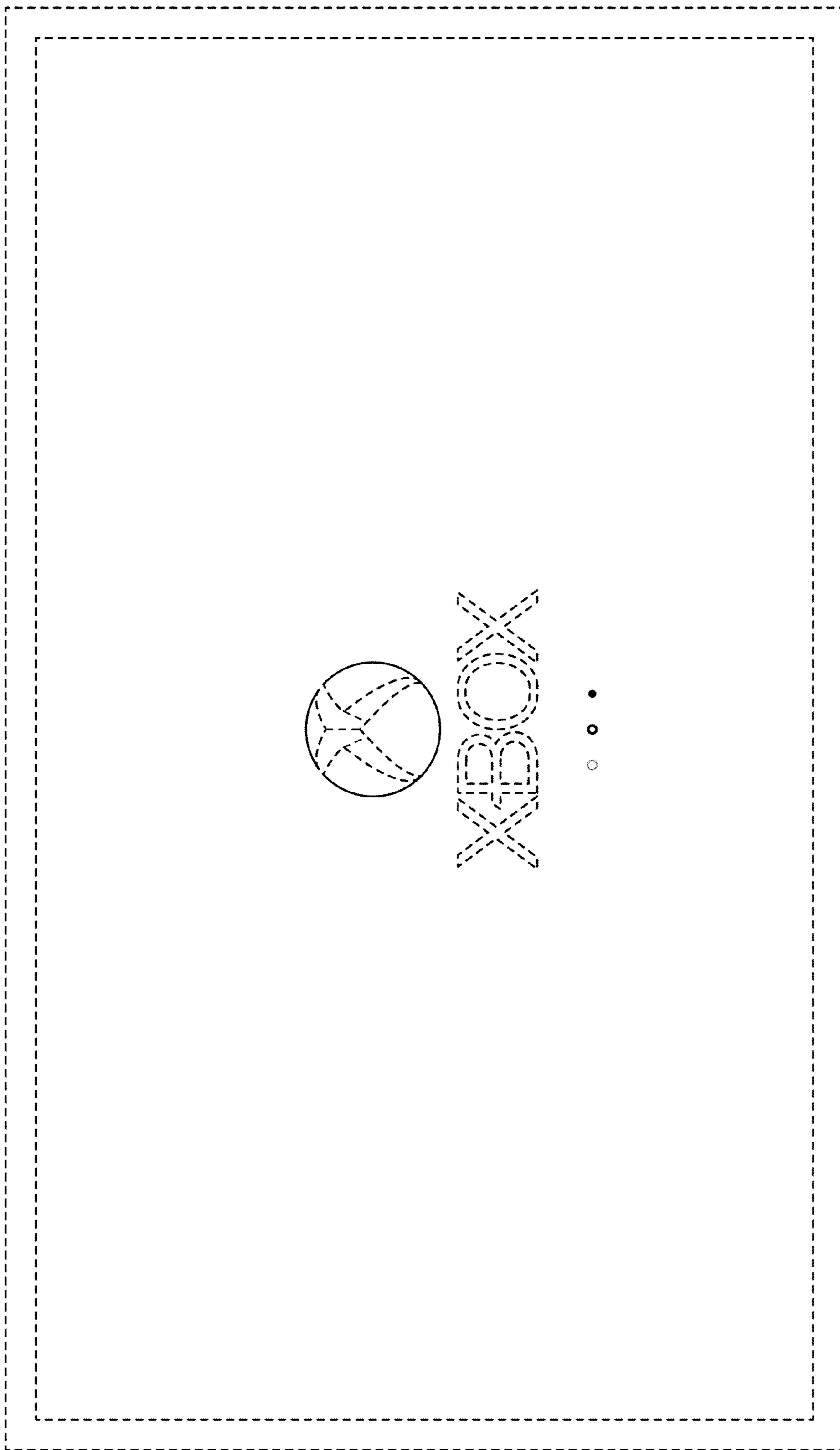


FIG. 14

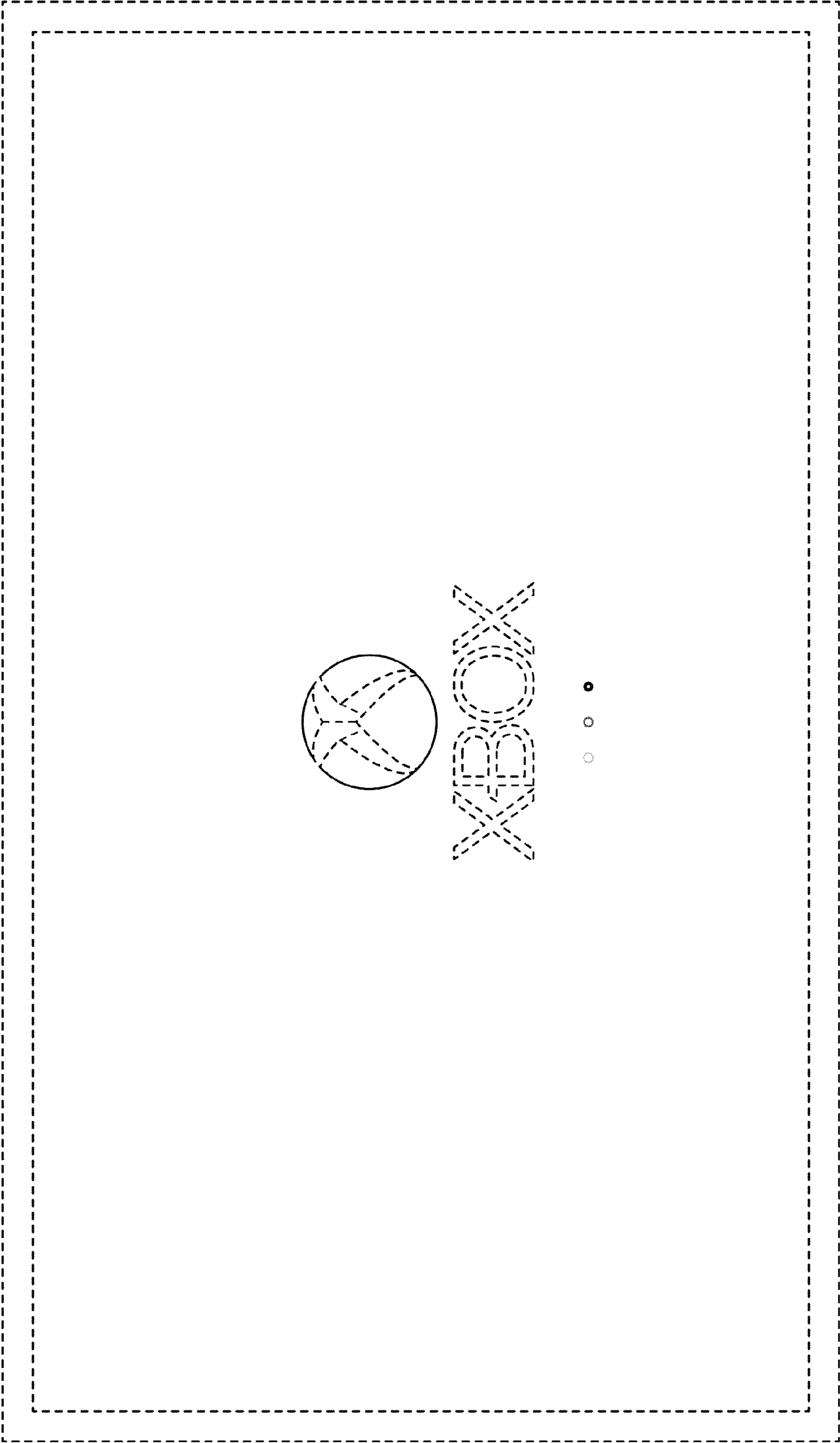


FIG. 15

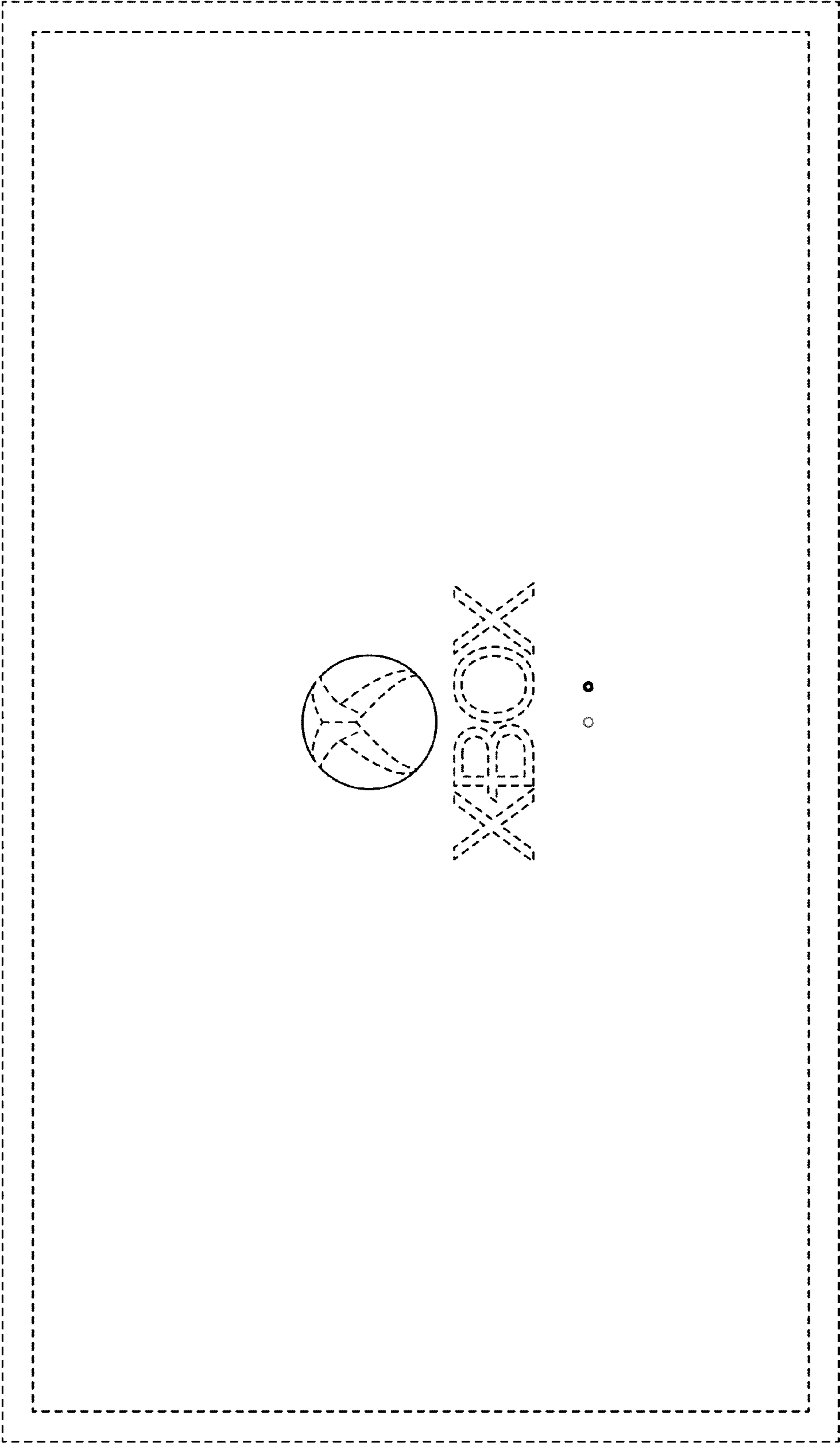


FIG. 16

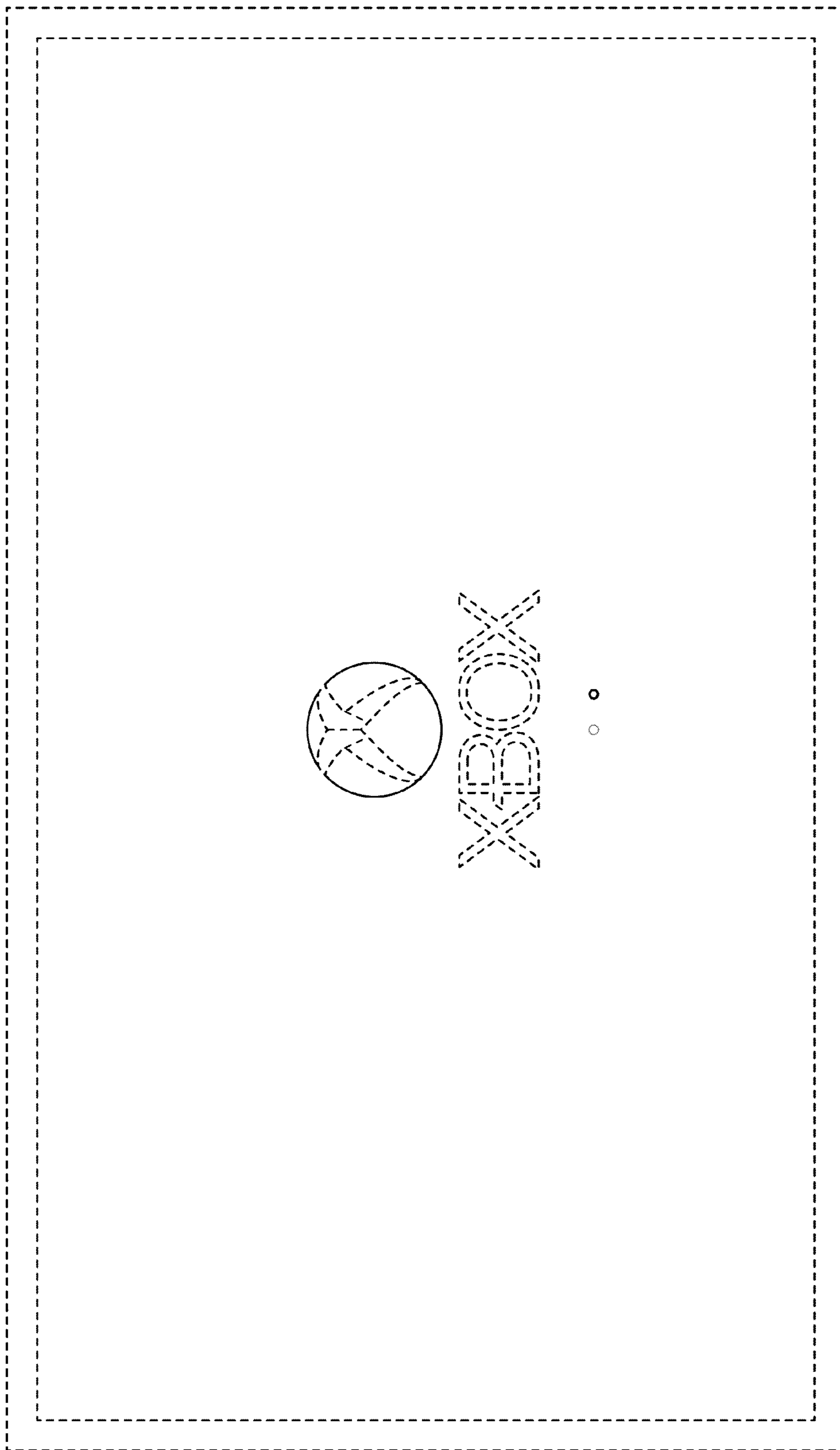


FIG. 17

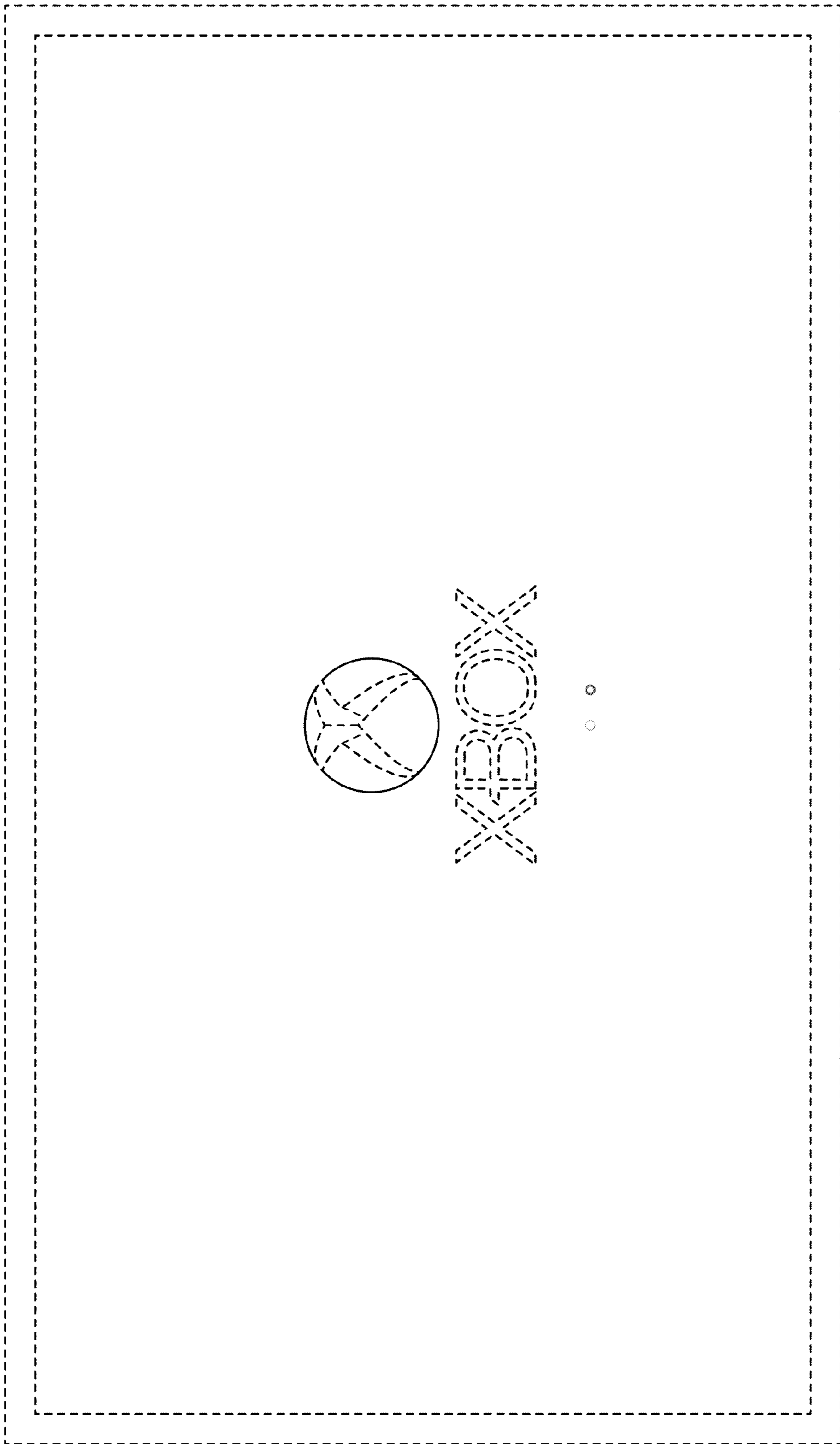


FIG. 18

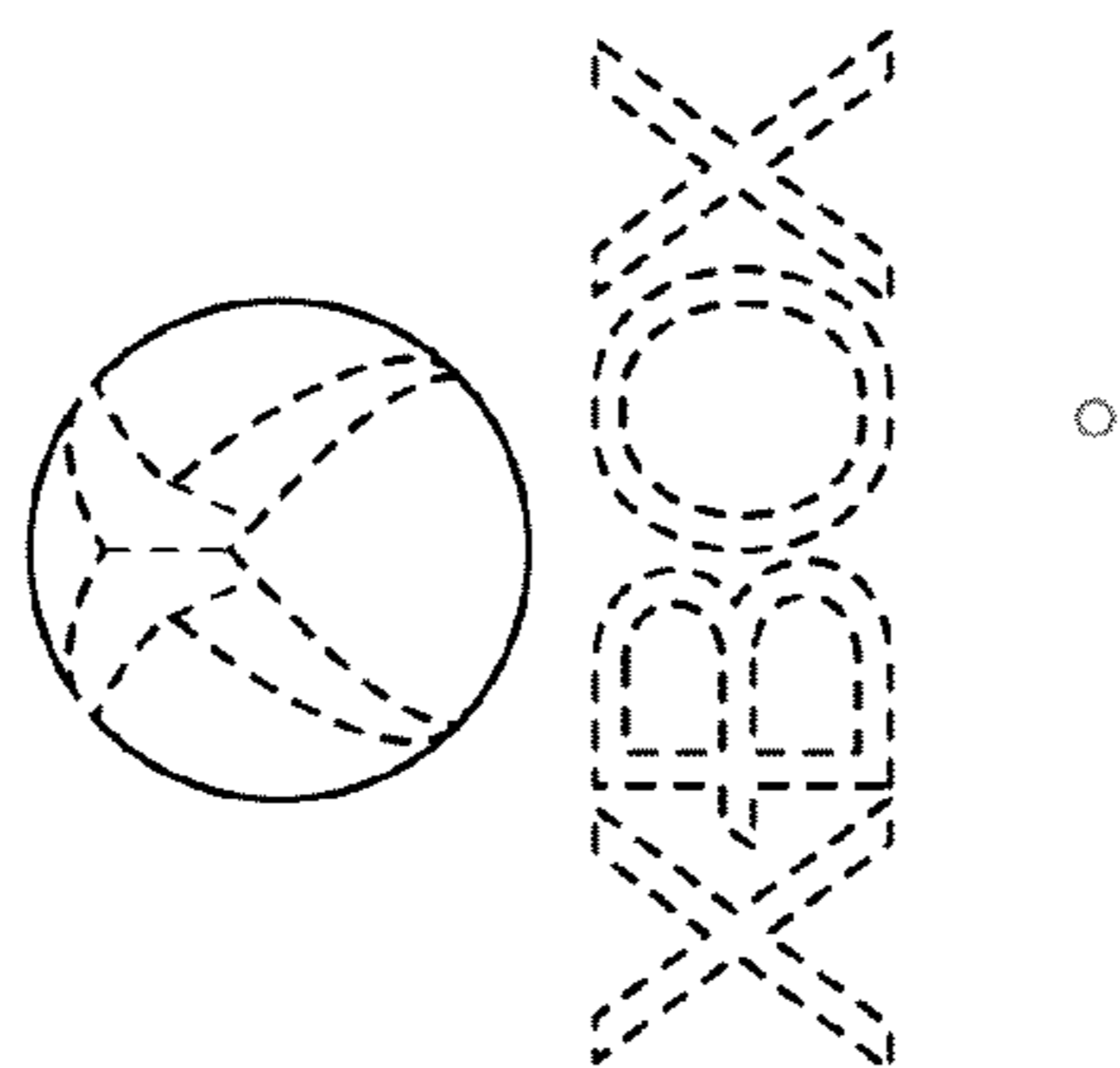
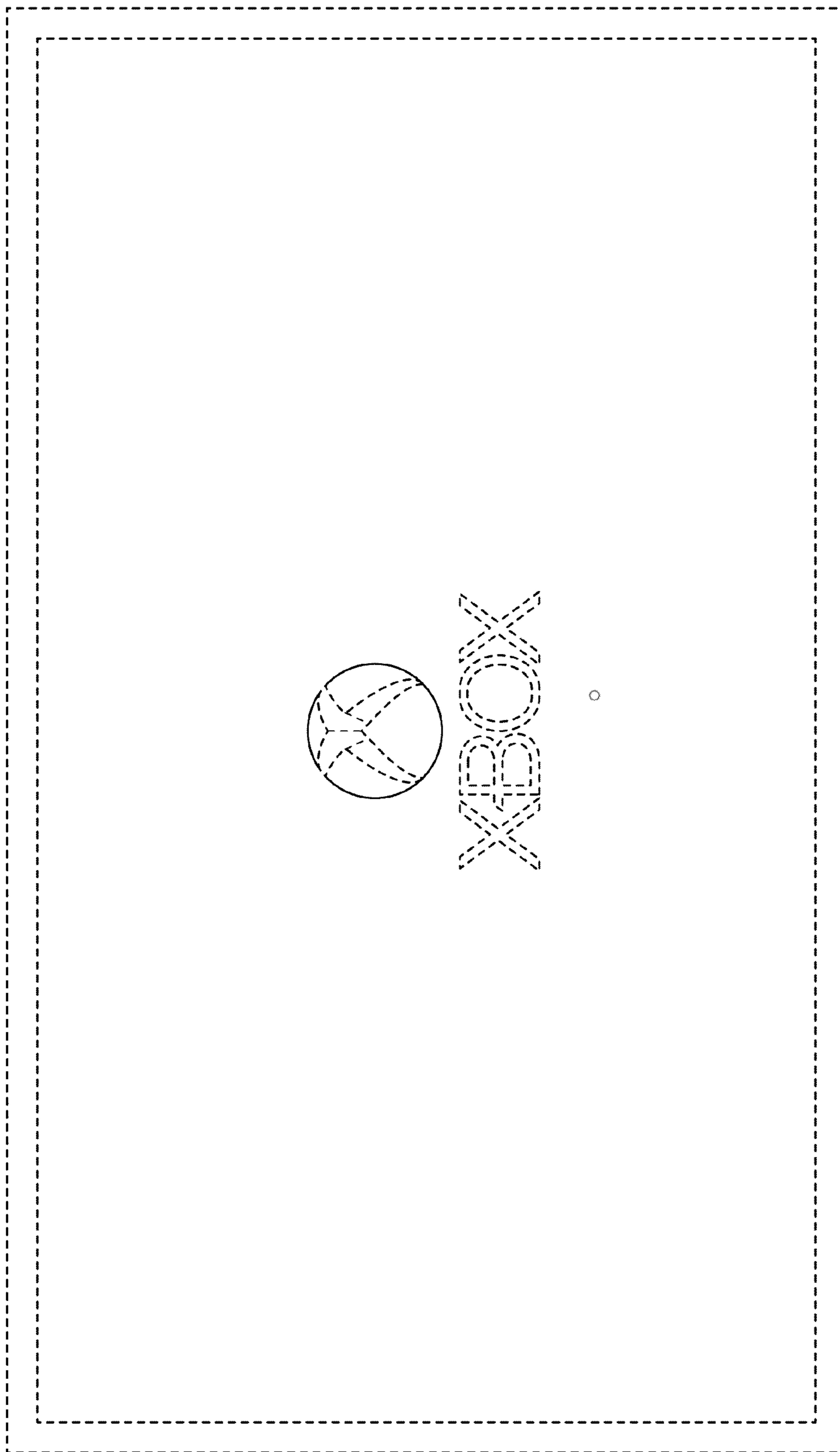


FIG. 19

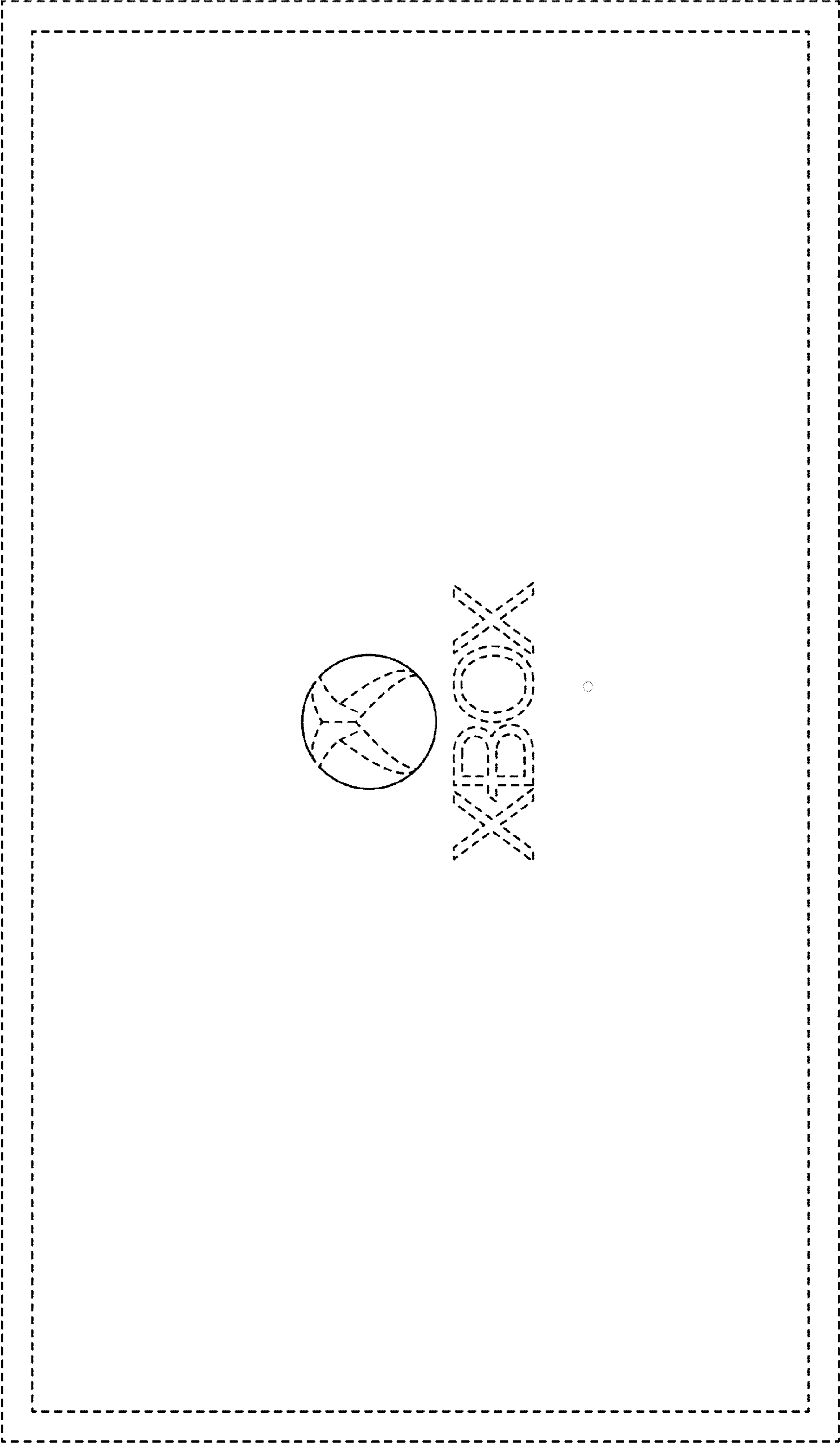


FIG. 20