



US00D755192S

(12) **United States Design Patent**
Gardner et al.

(10) **Patent No.:** **US D755,192 S**

(45) **Date of Patent:** **** May 3, 2016**

(54) **DISPLAY SCREEN WITH ANIMATED GRAPHICAL USER INTERFACE**

(71) Applicant: **Microsoft Corporation**, Redmond, WA (US)

(72) Inventors: **David Gardner**, Covington, WA (US);
Andrew Moroney, Redmond, WA (US);
Cyrus Kanga, Redmond, WA (US)

(73) Assignee: **Microsoft Corporation**, Redmond, WA (US)

(**) Term: **14 Years**

(21) Appl. No.: **29/473,306**

(22) Filed: **Nov. 21, 2013**

(51) **LOC (10) Cl.** **14-04**

(52) **U.S. Cl.**
USPC **D14/485**

(58) **Field of Classification Search**
USPC D20/10; D14/485-495
CPC ... G06F 3/048; G06F 3/0481; G06F 3/04812;
G06F 3/04815; G06F 3/04817; G06F 3/0482;
G06F 3/0483; G06F 3/0484; G06F 3/04842;
G06F 3/04845; G06F 3/04847; G06F 3/0485;
G06F 3/04855; G06F 3/0486; G06F 3/0487;
G06F 3/0488; G06F 3/04883; G06F 3/04886
See application file for complete search history.

(56) **References Cited**

U.S. PATENT DOCUMENTS

D640,272 S *	6/2011	Arnold	D14/487
D644,240 S *	8/2011	Arnold	D14/487
D648,344 S *	11/2011	Arnold	D14/486
D648,735 S *	11/2011	Arnold	D14/486
D661,702 S *	6/2012	Asai	D14/488
D662,942 S *	7/2012	Trabona	D14/488
D664,561 S *	7/2012	Gleasant	D14/488
D664,973 S *	8/2012	Gleasant	D14/486
D673,168 S *	12/2012	Frijlink	D14/487

D688,691 S	8/2013	Gleasant et al.	
D699,743 S *	2/2014	Arnold D14/488
D699,744 S *	2/2014	Ho Kushner D14/488
D705,244 S *	5/2014	Arnold D14/486
D705,802 S *	5/2014	Kerr D14/488
D718,781 S *	12/2014	Arnold D14/486
D722,075 S *	2/2015	Zhang D14/486
D729,271 S *	5/2015	Zhang D14/488
D738,394 S *	9/2015	Chaudhri D14/486
D738,900 S *	9/2015	Droz D14/486
D738,908 S *	9/2015	Herold D14/488
D740,835 S *	10/2015	Song D14/485
D743,999 S *	11/2015	Villamor D14/488
D744,497 S *	12/2015	Kim D14/485
D744,515 S *	12/2015	Morisada D14/486

* cited by examiner

Primary Examiner — Eric Goodman

Assistant Examiner — Christian P McLean

(74) *Attorney, Agent, or Firm* — Banner & Witcoff, Ltd.

(57) **CLAIM**

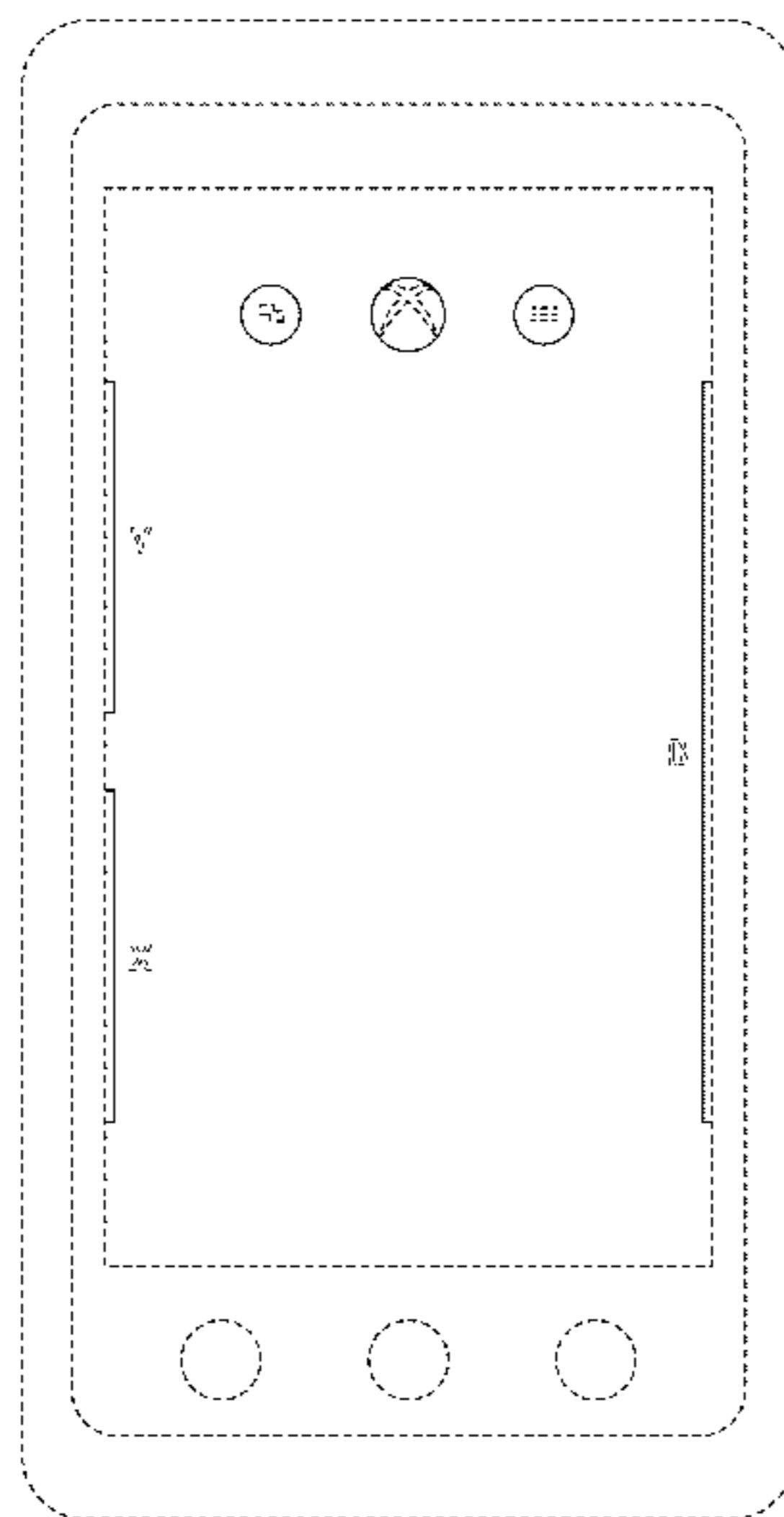
The ornamental design for a display screen with animated graphical user interface, as shown and described.

DESCRIPTION

FIG. 1 is the first image in a sequence for a display screen with animated graphical user interface showing our new design; FIG. 2 is the second image thereof; FIG. 3 is the third image thereof; FIG. 4 is the fourth image thereof; FIG. 5 is the fifth image thereof; and, FIG. 6 is the sixth image thereof.

The appearance of the animated graphical user interface sequentially transitions between the images shown in FIGS. 1-6. The process or period in which one image transitions to another forms no part of the claimed design. The broken line showing of the text, various icons, remainder of the user interface, and the remainder of the display screen is for environmental purposes only and forms no part of the claimed design.

1 Claim, 6 Drawing Sheets



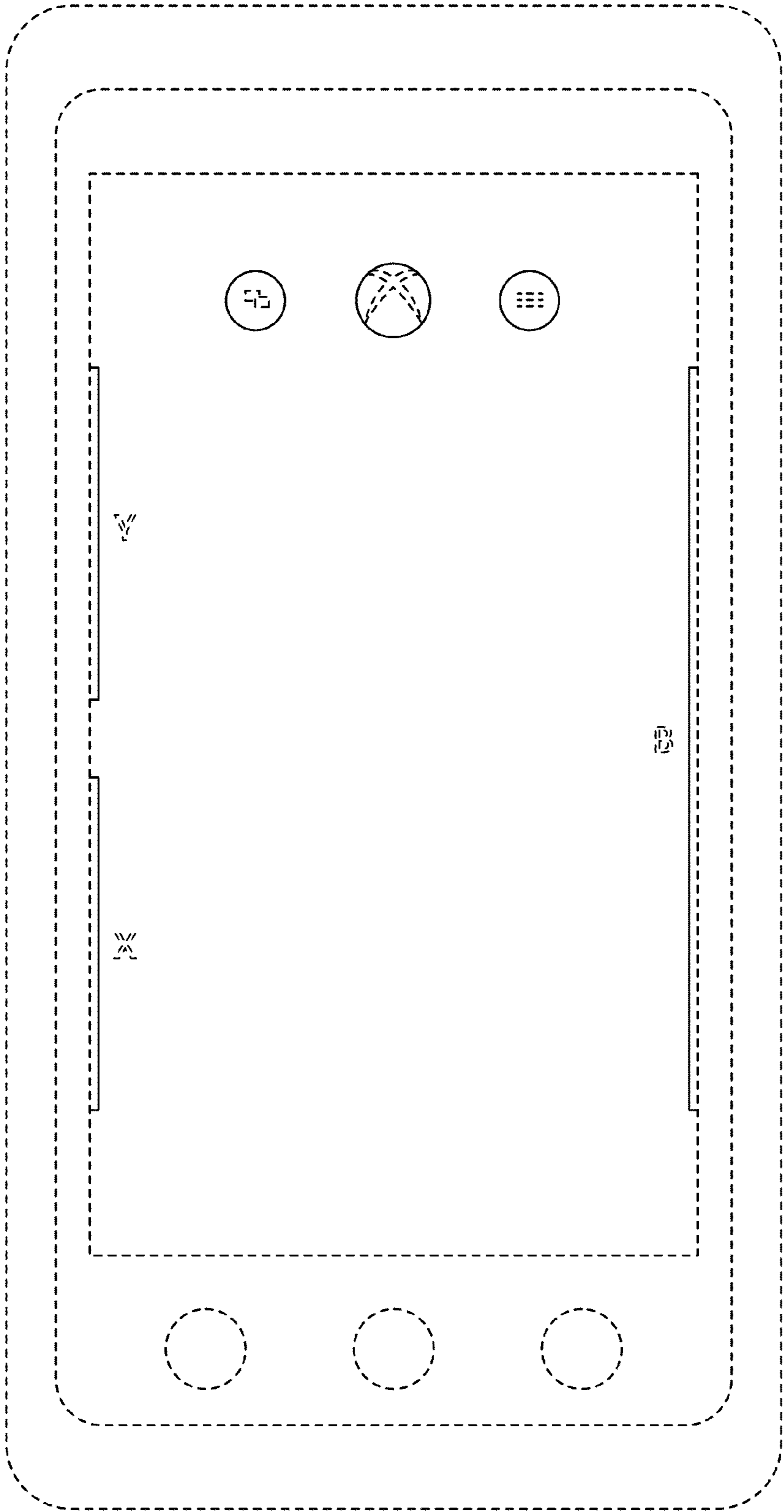


FIG. 1

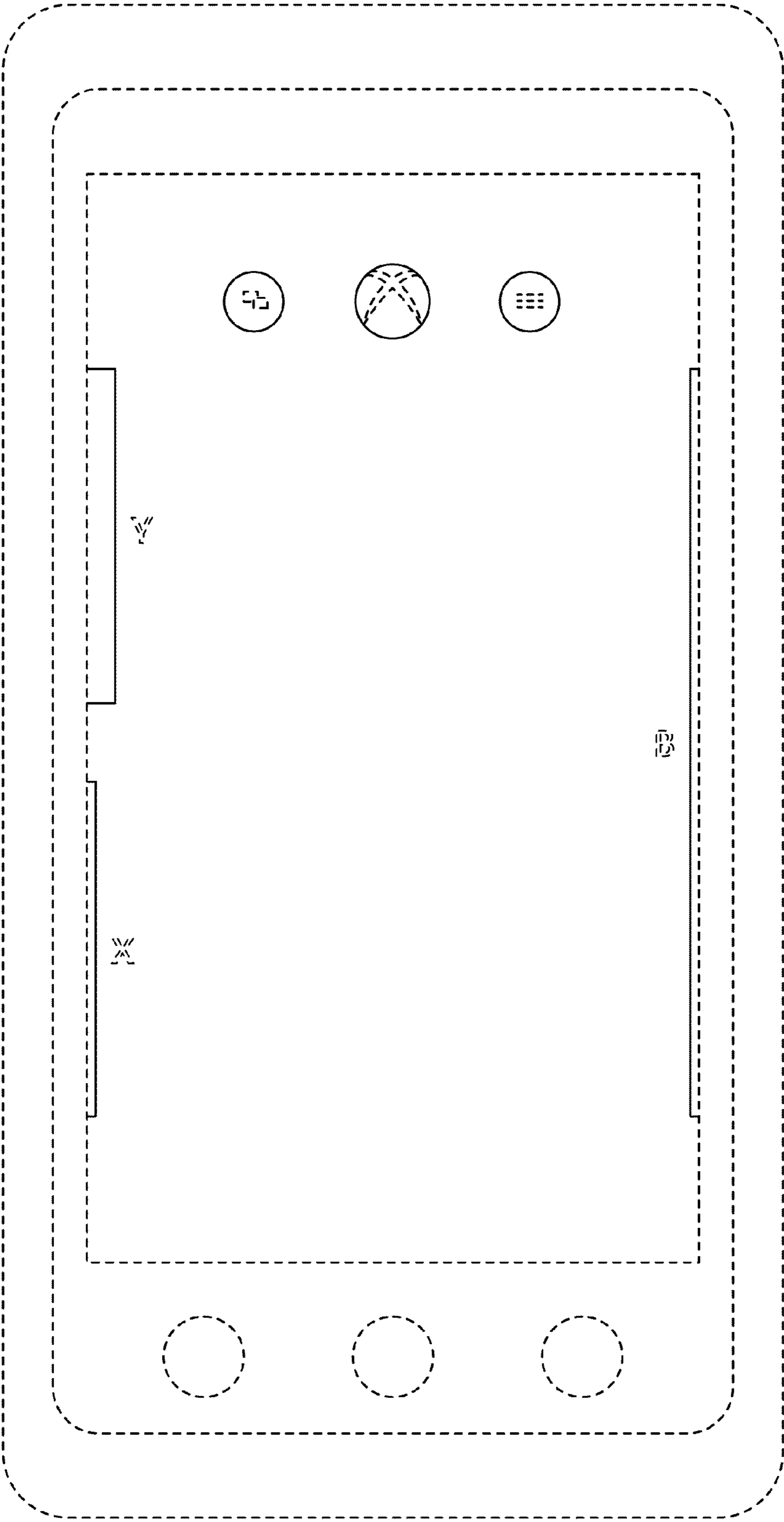


FIG. 2

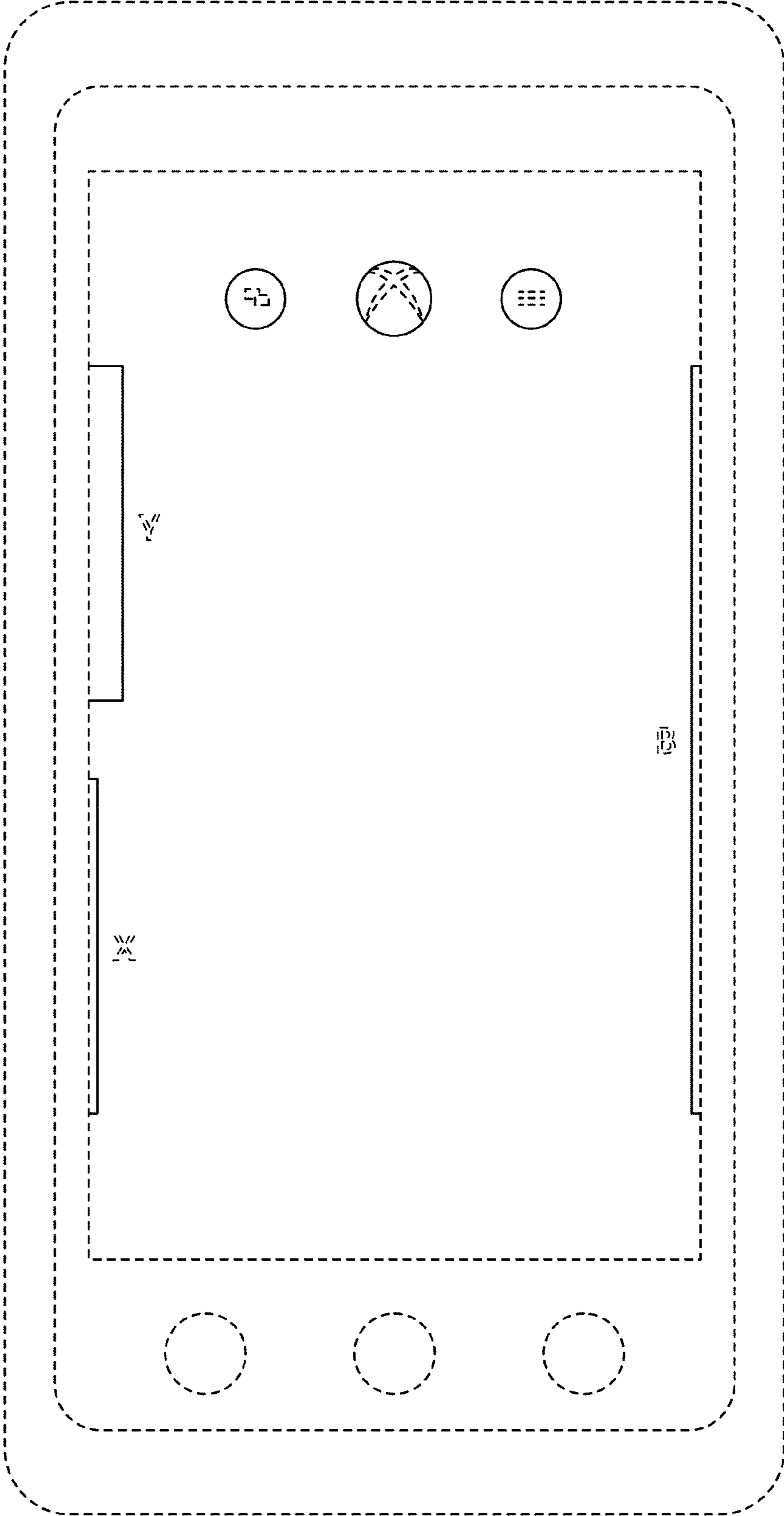


FIG. 3

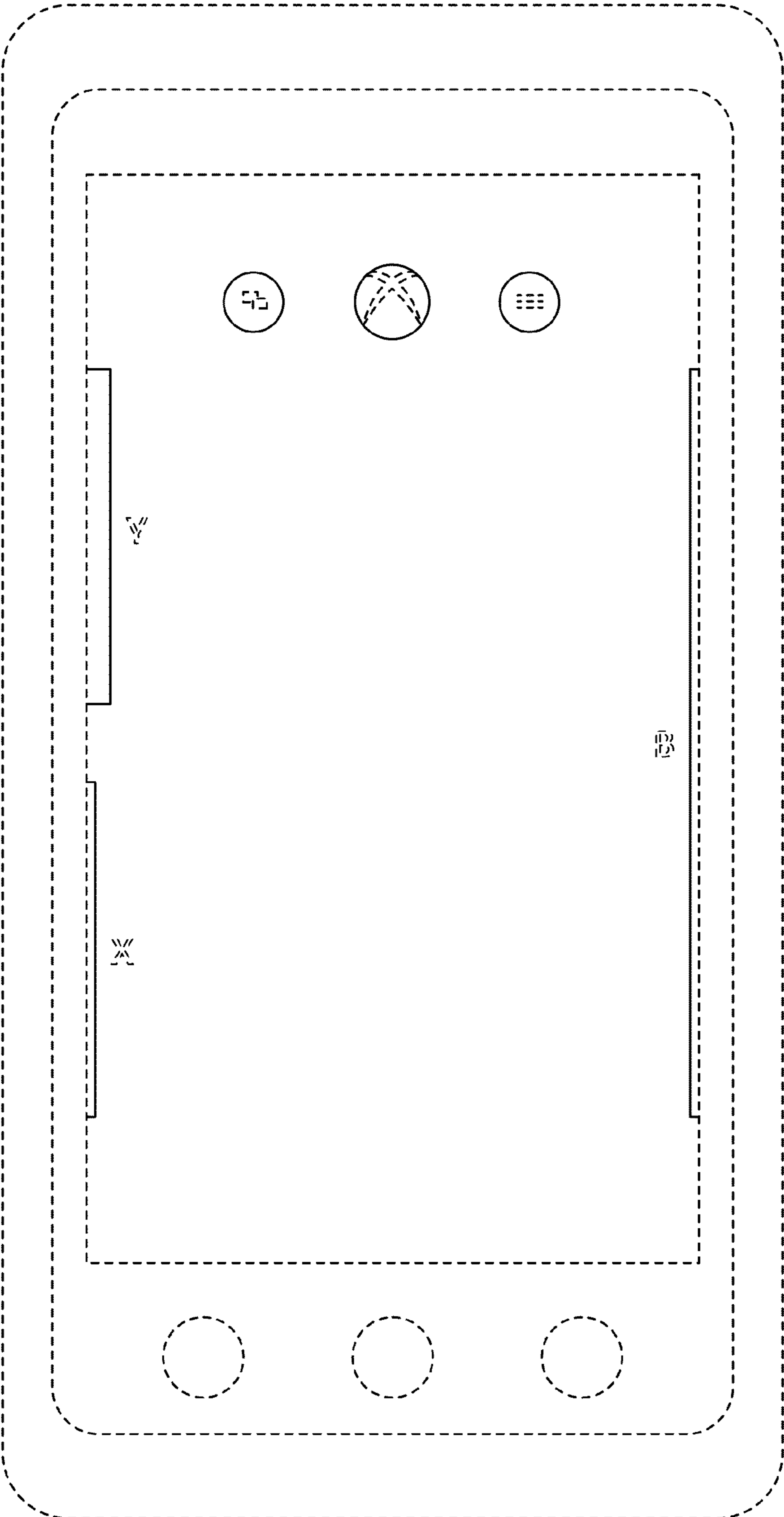


FIG. 4

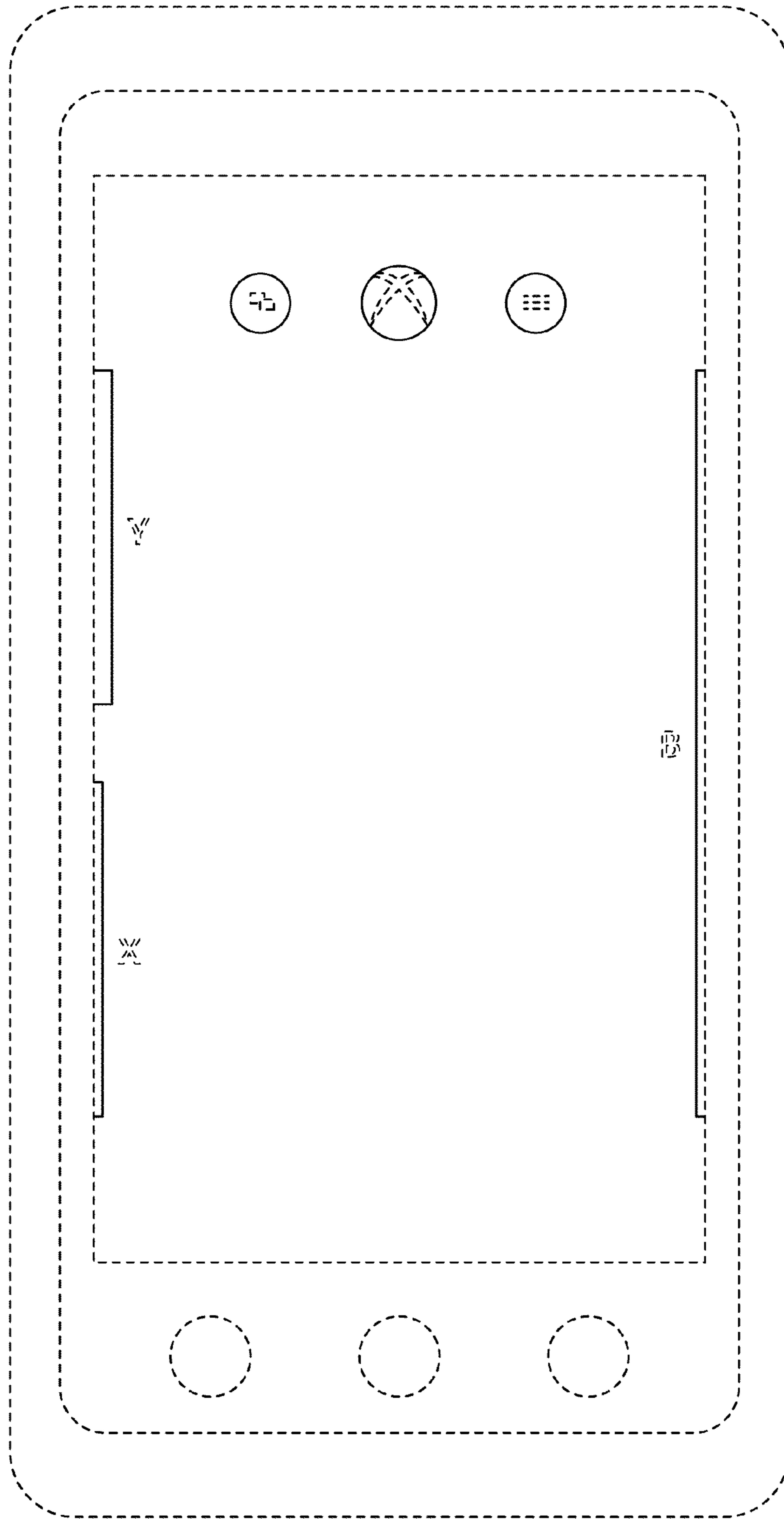


FIG. 5

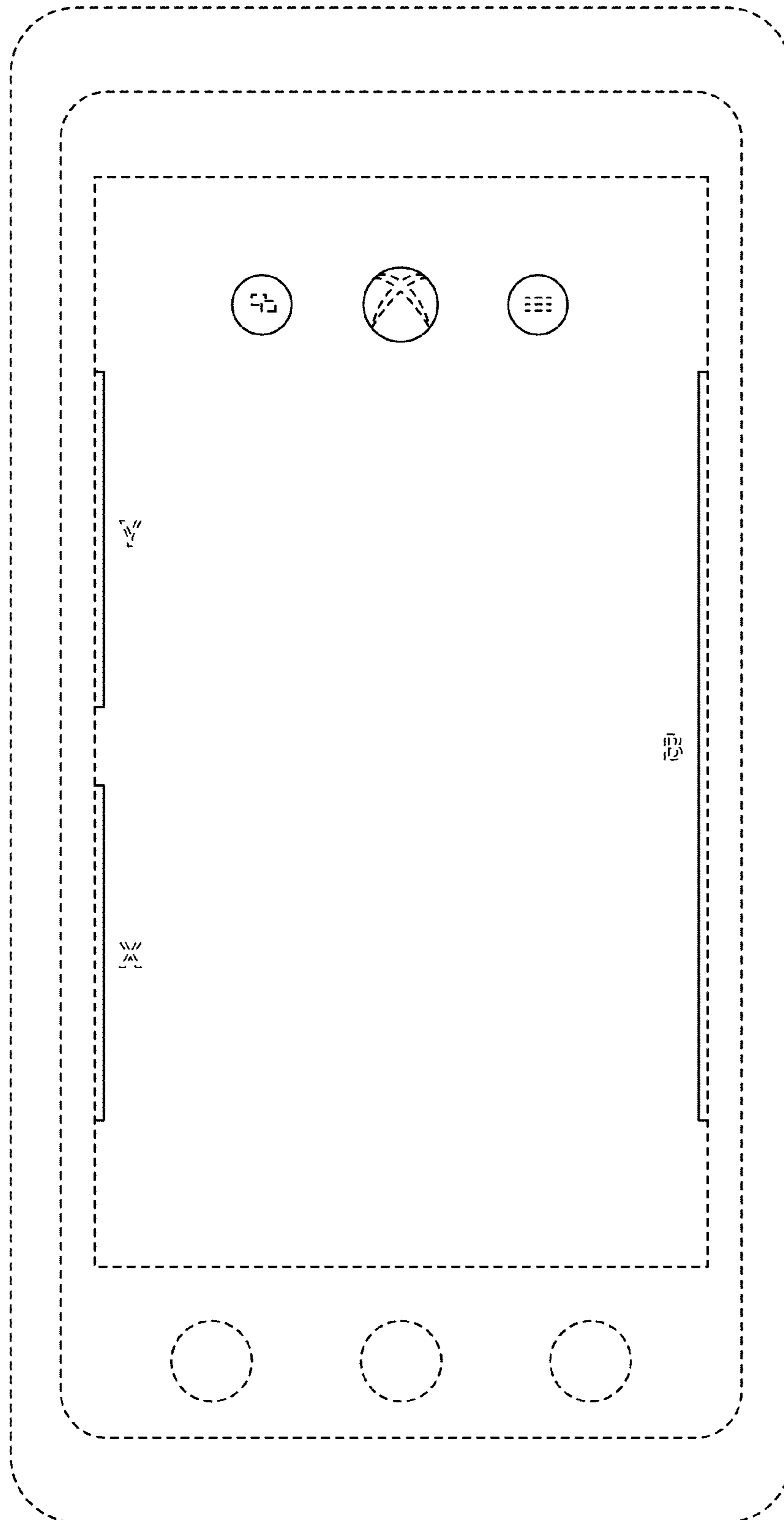


FIG. 6