



US00D755190S

(12) **United States Design Patent**
Kim et al.

(10) **Patent No.:** **US D755,190 S**
(45) **Date of Patent:** **** May 3, 2016**

(54) **STAND FOR TELEVISION**

(71) Applicant: **Samsung Electronics Co., Ltd.**,
Suwon-si (KR)
(72) Inventors: **Eun Ah Kim**, Seoul (KR); **Danbi Kang**,
Seoul (KR)

(73) Assignee: **SAMSUNG ELECTRONICS CO., LTD.**,
Suwon-Si, Gyeonggi-Do (KR)

(**) Term: **14 Years**

(21) Appl. No.: **29/518,691**

(22) Filed: **Feb. 26, 2015**

(30) **Foreign Application Priority Data**

Aug. 26, 2014 (KR) 30-2014-0041612

(51) **LOC (10) Cl.** **08-07**

(52) **U.S. Cl.**
USPC **D14/451**

(58) **Field of Classification Search**

USPC D14/371-382, 125-129, 336, 337,
D14/447-452, 492, 335, 239, 457, 439-441,
D14/432, 251-253; D8/349, 354, 363, 373,
D8/376, 380; D21/333, 736, 738, 743,
D21/746; D12/415; D3/218; 348/180, 184,
348/325, 739, 825; D6/708-710
CPC G06F 3/0412; G06F 3/016; G06F 3/0488;
G06F 3/011; G06F 3/038; G06F 3/03543;
G06F 3/0338; G06F 3/0202; G06F 3/0219;
G06F 3/0213; G06F 1/1616; G06F 3/023;
G06F 3/04883; G02F 1/13338; G02F 1/1313;
G02F 1/1333; G02F 1/135; G02F 1/132;
G02F 1/133308; G02F 1/134309; G02F
1/13718; G09G 3/3648; G06K 15/1252;
B41J 2/465; G03F 7/70291; G02B 27/0172;
G02B 5/30; G02B 2027/0118; G02B 27/0101;
F16M 13/02; F16M 13/00; F16M 11/10;
F16M 11/04; F16M 2200/08; F16M 11/2021;
A47B 21/0314; A47B 88/044; A47B
2021/0335; H02G 3/126; F16B 47/00; F16B
47/006; A47G 1/17; A47K 2201/00

See application file for complete search history.

(56) **References Cited**

U.S. PATENT DOCUMENTS

3,269,733 A * 8/1966 Taddie A63B 69/3676
403/344
D223,498 S * 4/1972 Daum D6/709

(Continued)

OTHER PUBLICATIONS

Puckette, Madeline. "What's the Best Wine Opener for You?." Wine Folly. Sep. 2, 2013. Web. Jan. 10, 2016. <winefolly.com/tutorial/whats-the-best-wine-opener/>.*

Primary Examiner — Garth Rademaker

Assistant Examiner — Katie Mroczka

(74) *Attorney, Agent, or Firm* — Ladas & Parry LLP

(57) **CLAIM**

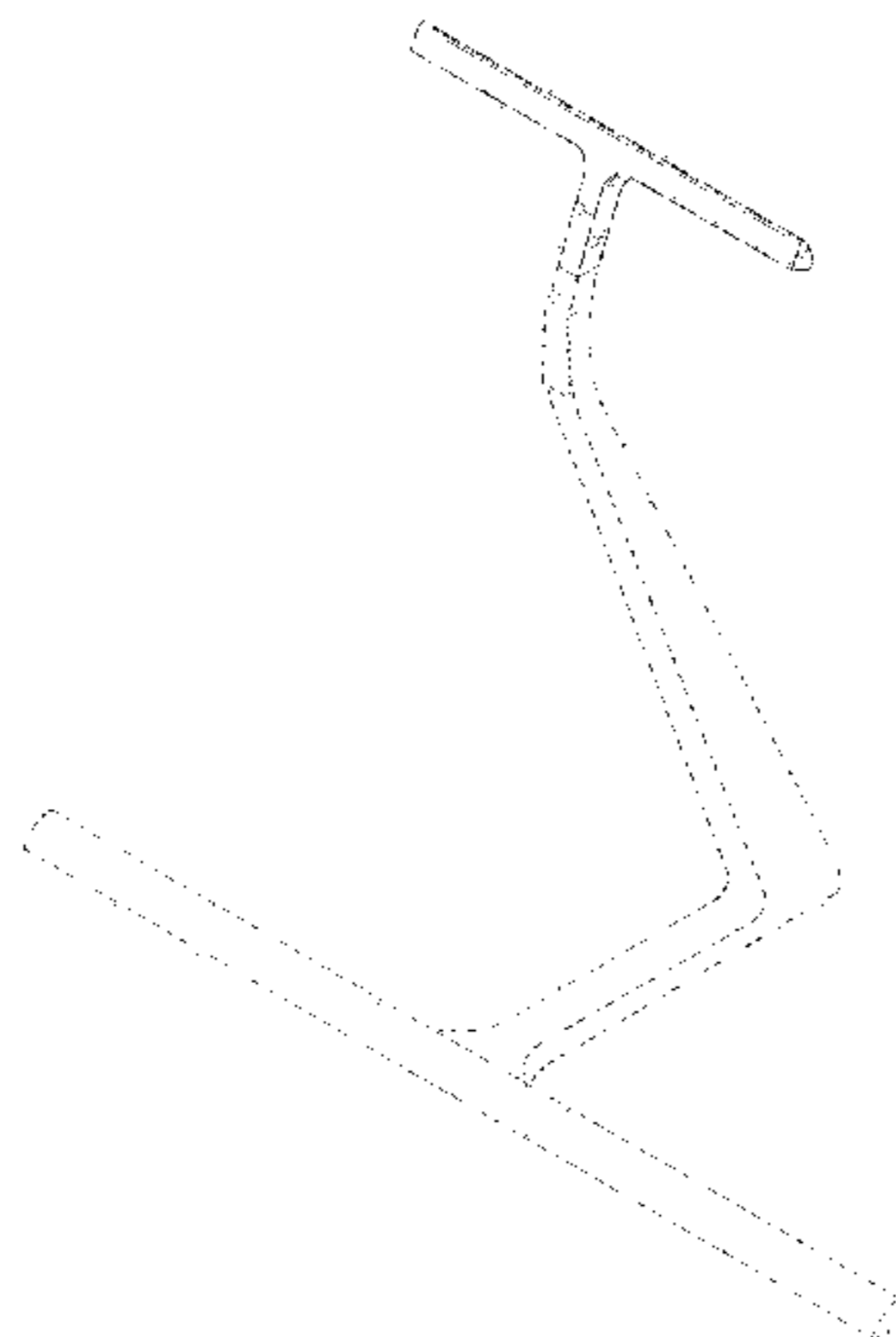
We claim the ornamental design for a stand for television, as shown and described.

DESCRIPTION

FIG. 1 is a front perspective view of a stand for television showing our new design;
FIG. 2 is a front view thereof;
FIG. 3 is a rear view thereof;
FIG. 4 is a left side view thereof;
FIG. 5 is a right side view thereof;
FIG. 6 is a top plan view thereof;
FIG. 7 is a bottom plan view thereof;
FIG. 8 is a front perspective view thereof shown in an environment of use; and,
FIG. 9 is a rear perspective view of FIG. 8.

The evenly-spaced broken lines shown in FIGS. 1-7 illustrate portions of the stand for television that form no part of the claimed design. The evenly-spaced broken lines illustrating the television in FIGS. 8 and 9 are environment that form no part of the claimed design, while the remaining evenly-spaced broken lines in FIGS. 8 and 9 illustrate portions of the stand for television that form no part of the claimed design. The dot dash lines in FIGS. 1-6 and 9 represent an unclaimed boundary line and form no part of the claimed design.

1 Claim, 9 Drawing Sheets



US D755,190 S

Page 2

(56)

References Cited

U.S. PATENT DOCUMENTS

D314,299 S * 2/1991 Diffrient D6/709
D380,632 S * 7/1997 Schacht D6/709
D423,822 S * 5/2000 Takemasa D14/239
D553,883 S * 10/2007 DeJule D6/709

D599,803 S * 9/2009 Han D14/451
D723,849 S * 3/2015 Mueller D6/709
D727,302 S * 4/2015 Shin D14/239
D743,953 S * 11/2015 Ann D14/239
D746,799 S * 1/2016 Kim D14/239

* cited by examiner

Fig. 1

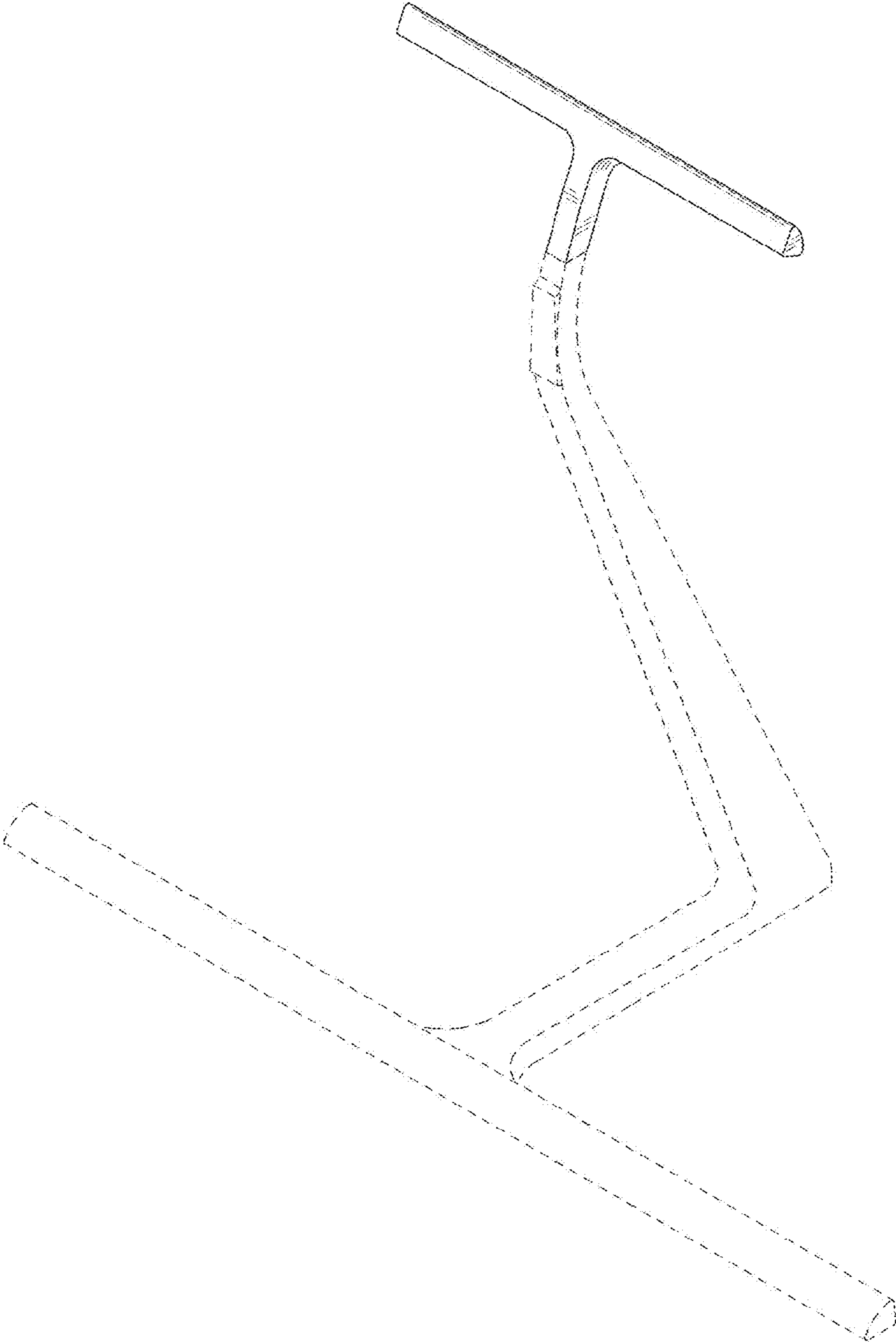


Fig. 2

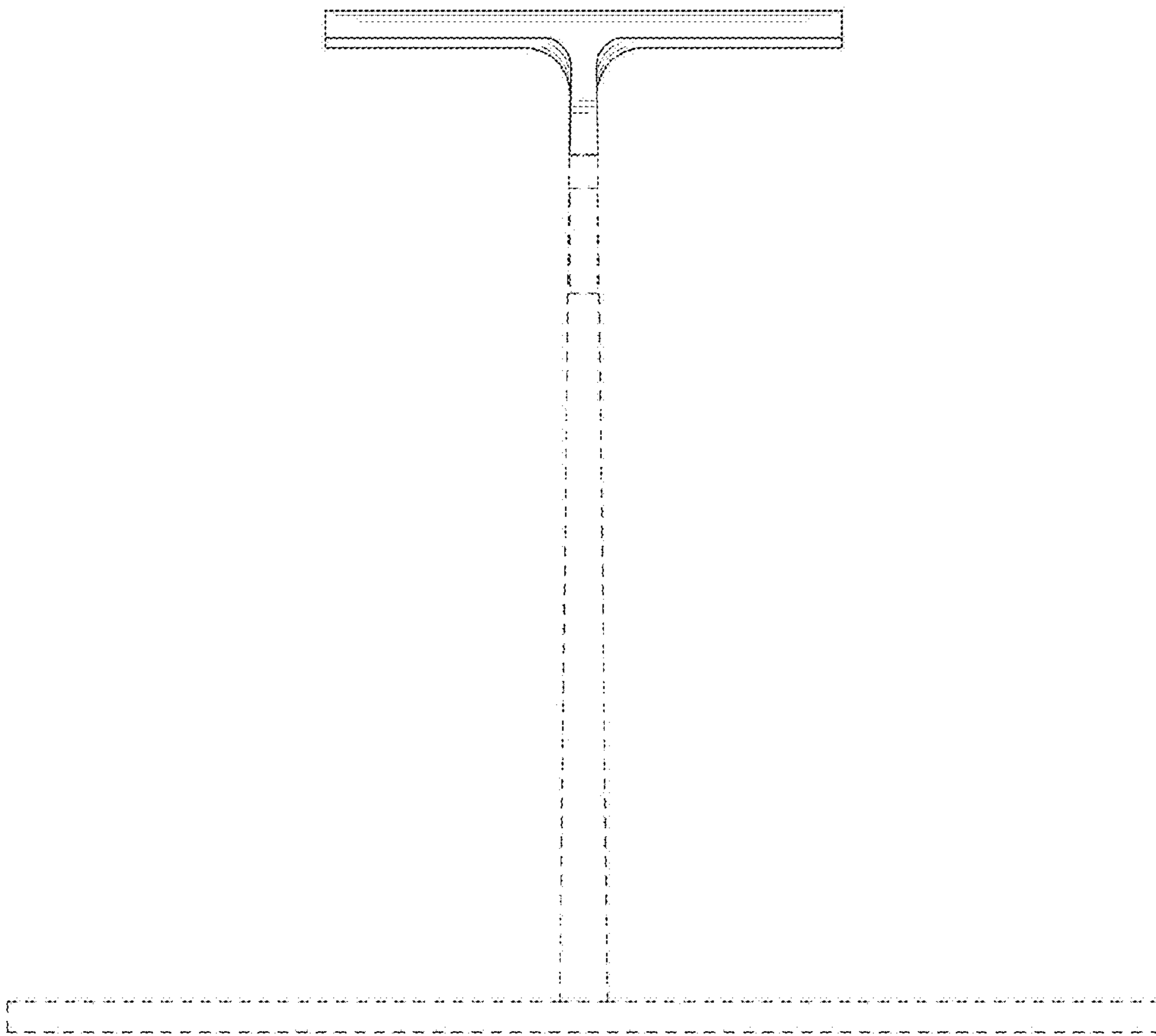


Fig. 3

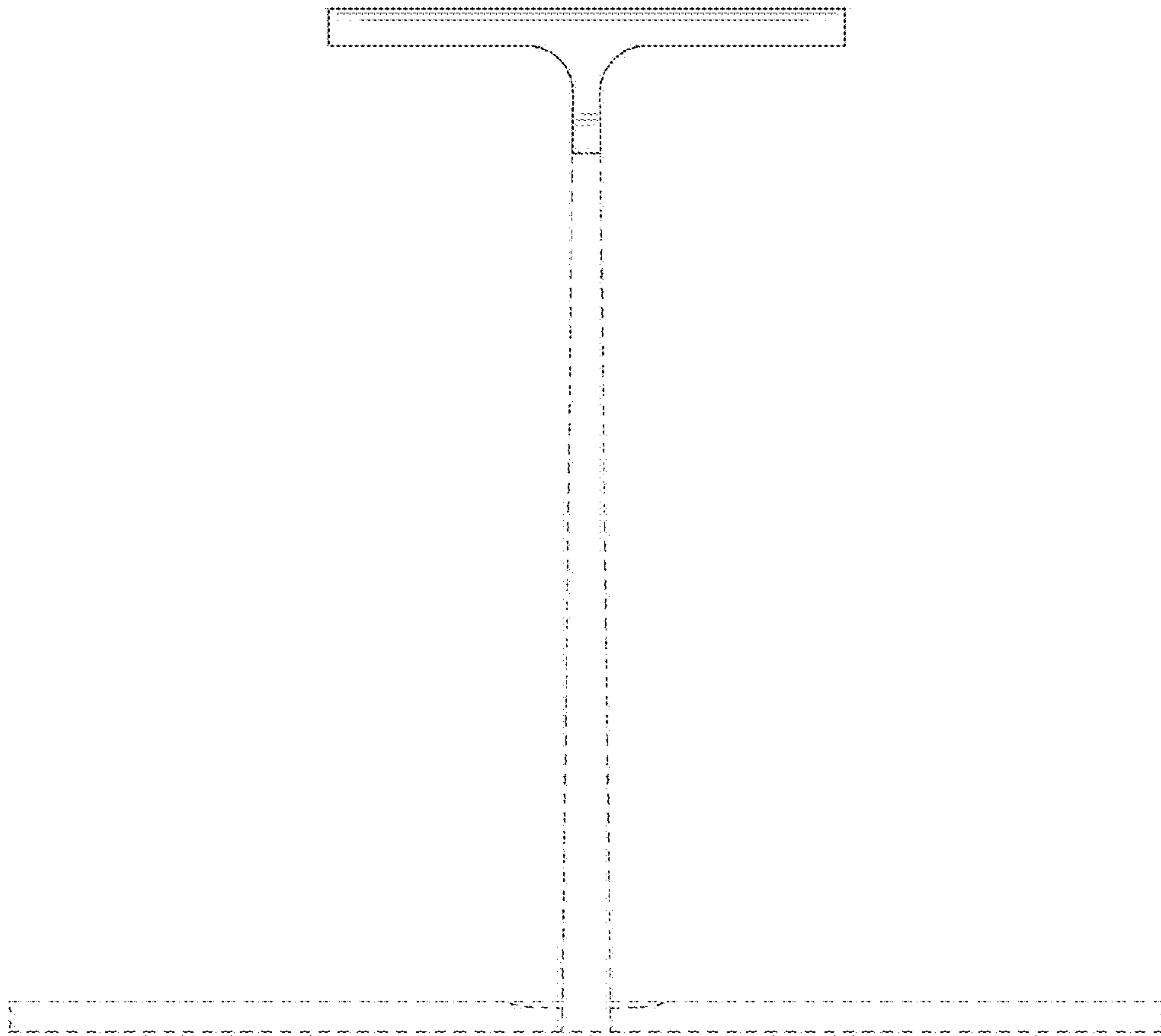


Fig. 4

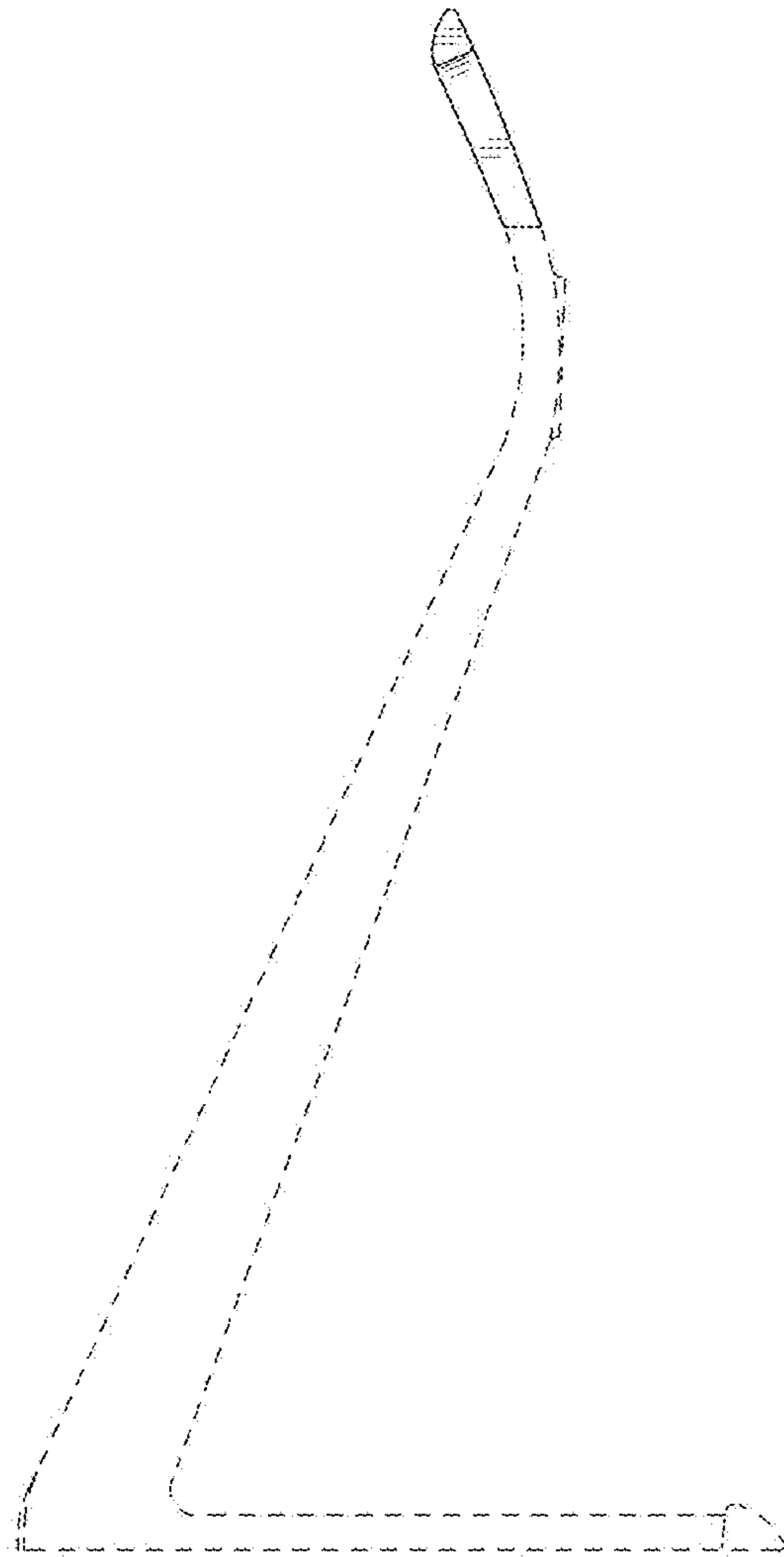


Fig. 5

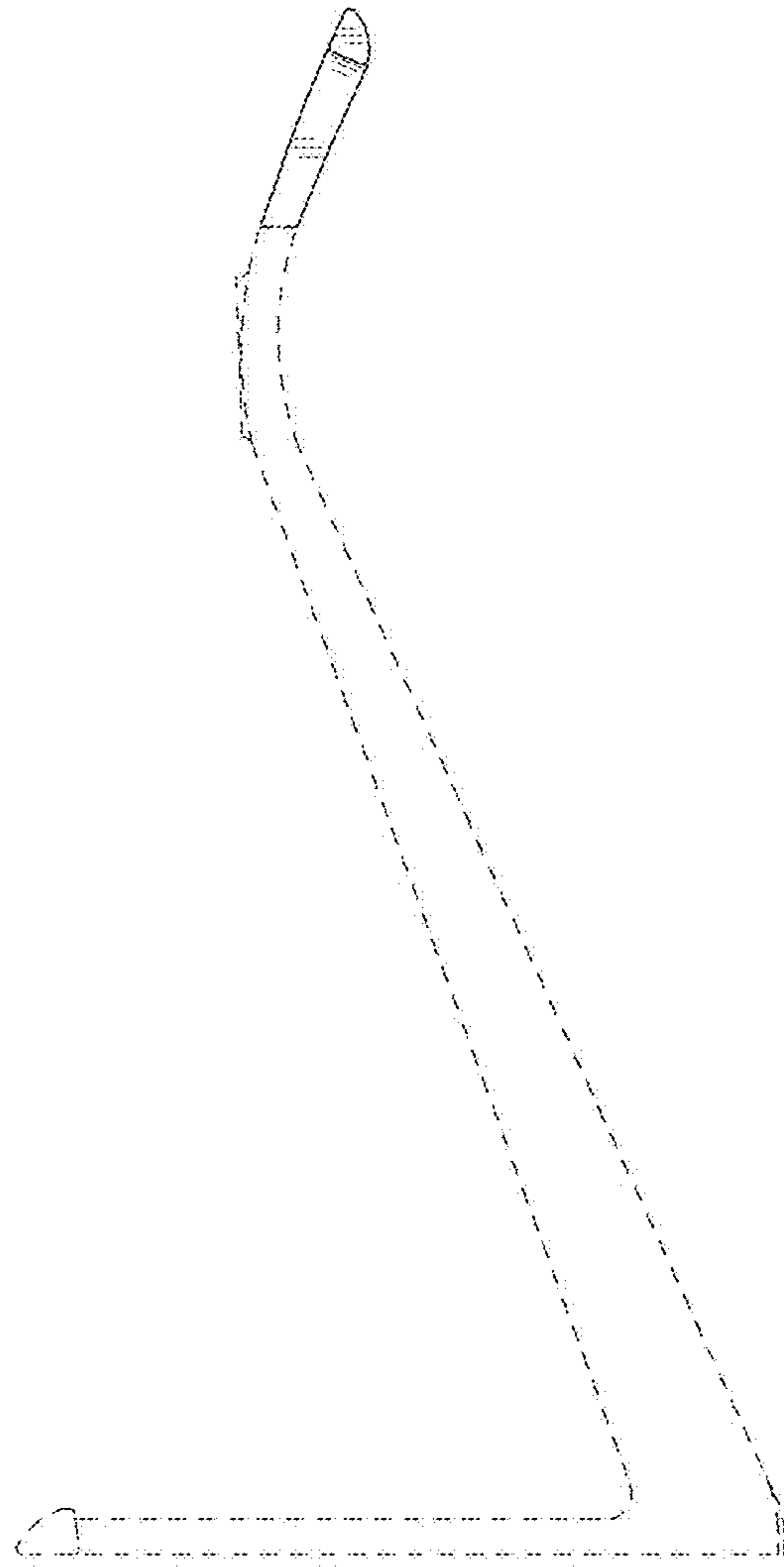


Fig. 6

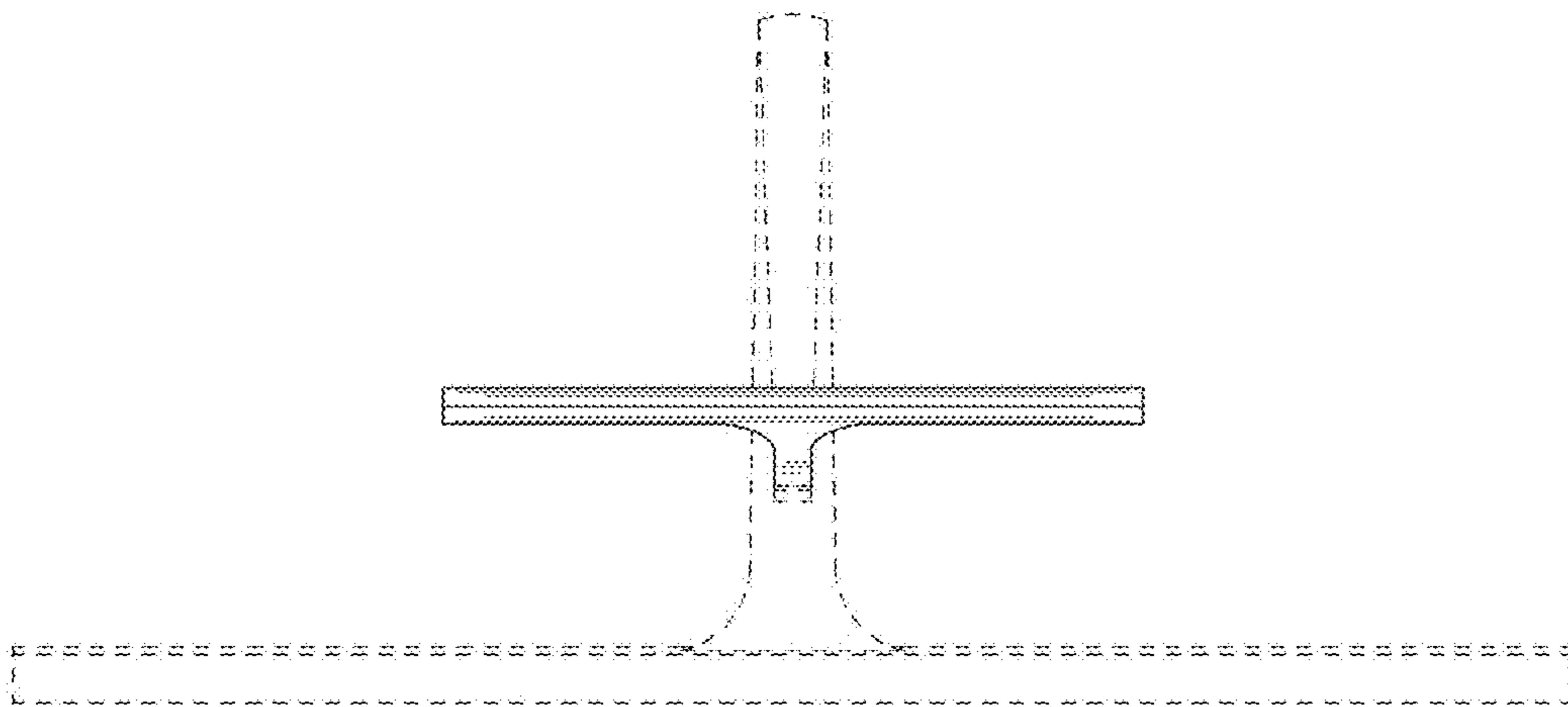


Fig. 7

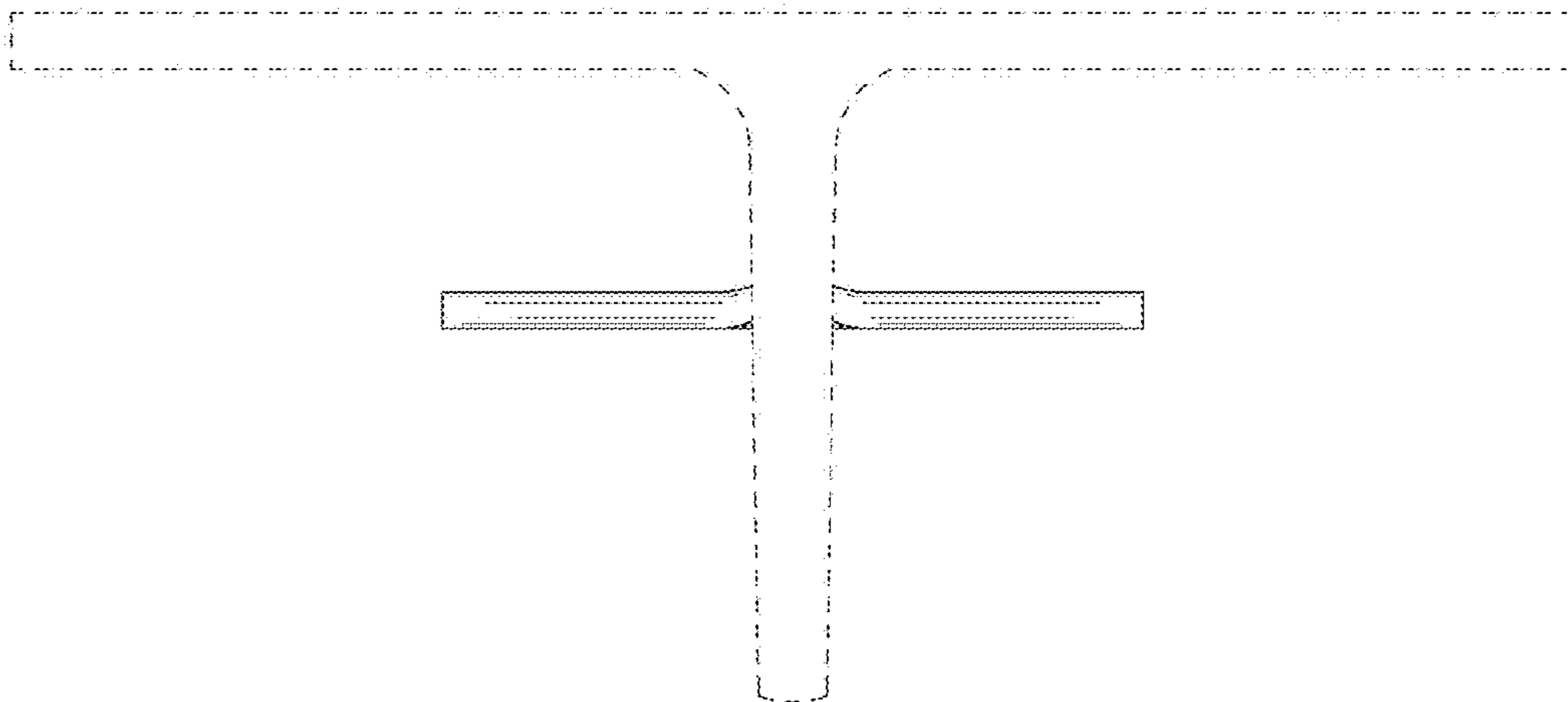


Fig. 8

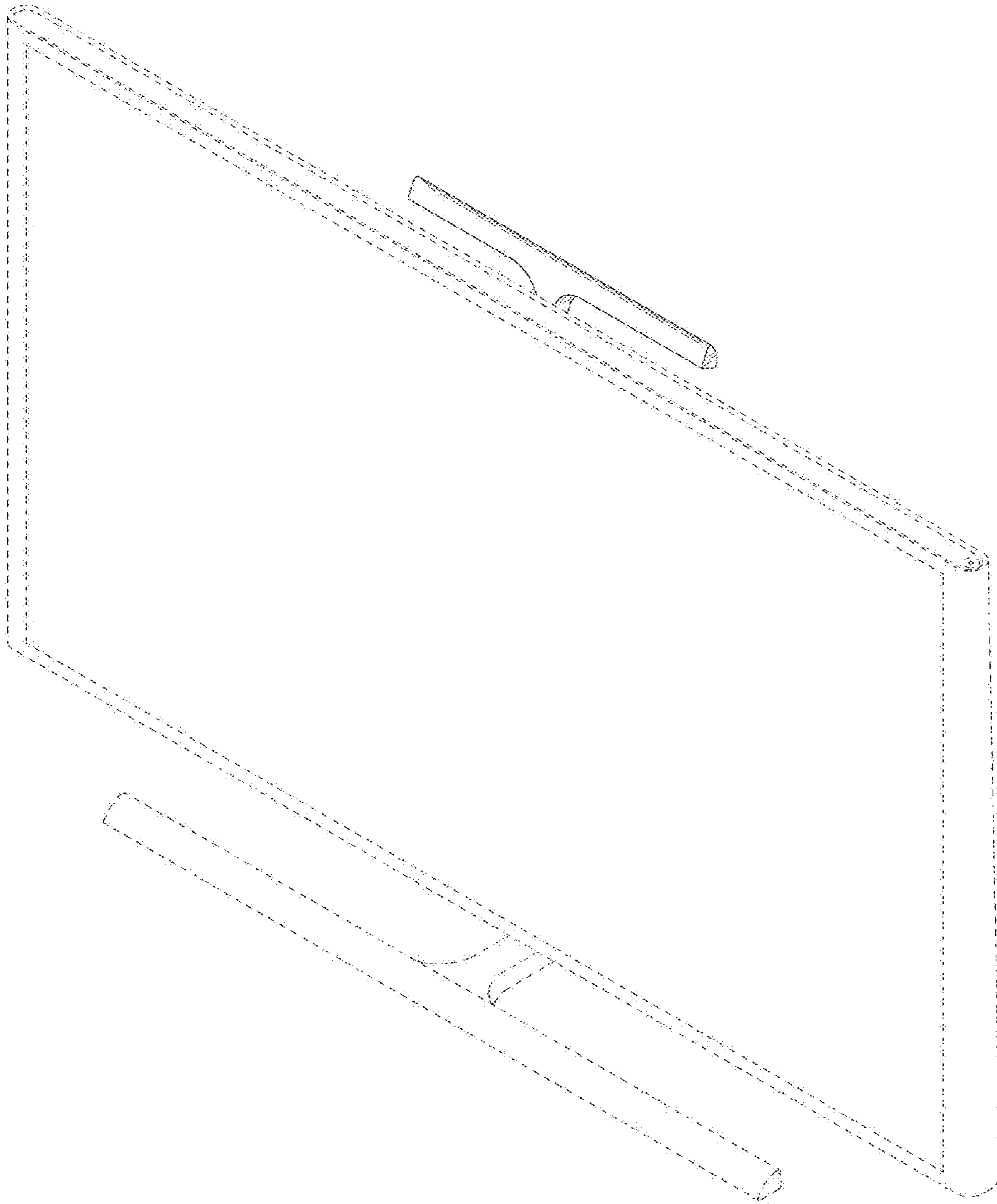


Fig. 9

