



US00D755189S

(12) **United States Design Patent**  
**Kim et al.**

(10) **Patent No.:** **US D755,189 S**  
(45) **Date of Patent:** **\*\* May 3, 2016**

(54) **STAND FOR TELEVISION**

2021/0335; H02G 3/126; F16B 47/00; F16B 47/006; A47G 1/17; A47K 2201/00

(71) Applicant: **Samsung Electronics Co., Ltd.**,  
Suwon-si, Gyeonggi-do (KR)

See application file for complete search history.

(72) Inventors: **Eun Ah Kim**, Seoul (KR); **Danbi Kang**,  
Seoul (KR)

(56) **References Cited**

(73) Assignee: **SAMSUNG ELECTRONICS CO., LTD.**,  
Suwon-Si, Gyeonggi-Do (KR)

U.S. PATENT DOCUMENTS

(\*\*) Term: **14 Years**

D483,767 S *	12/2003	Green	.....	D14/447
D491,515 S *	6/2004	Thompson	.....	D12/408
D504,362 S *	4/2005	Thompson	.....	D12/115
D508,055 S *	8/2005	Lo	.....	D14/451
D666,029 S *	8/2012	Chen	.....	D6/708
D689,500 S *	9/2013	Faulk	.....	D14/447
D699,713 S *	2/2014	Seong	.....	D14/239
D718,605 S *	12/2014	Yang	.....	D15/89
D723,527 S *	3/2015	Kim	.....	D14/239
D728,537 S *	5/2015	Choi	.....	D14/239
D728,582 S *	5/2015	Kim	.....	D14/451
D739,390 S *	9/2015	Lee	.....	D14/239
D744,970 S *	12/2015	Kim	.....	D14/126

(21) Appl. No.: **29/518,218**

(22) Filed: **Feb. 20, 2015**

(30) **Foreign Application Priority Data**

Aug. 26, 2014 (KR) ..... 30-2014-0041614

\* cited by examiner

(51) **LOC (10) Cl.** ..... **08-07**

*Primary Examiner* — Garth Rademaker

(52) **U.S. Cl.**  
USPC ..... **D14/451**

*Assistant Examiner* — Katie Mroczka

(74) *Attorney, Agent, or Firm* — Ladas & Parry LLP

(58) **Field of Classification Search**

(57) **CLAIM**

We claim the ornamental design for a stand for television, as shown and described.

USPC ..... D14/371–382, 125–129, 336, 337, D14/447–452, 492, 335, 239, 457, 439–441, D14/432, 251–253; D8/349, 354, 363, 373, D8/376, 380; D21/333; D12/415; D3/218; 348/180, 184, 325, 739, 825

CPC ..... G06F 3/0412; G06F 3/016; G06F 3/0488; G06F 3/011; G06F 3/038; G06F 3/03543; G06F 3/0338; G06F 3/0202; G06F 3/0219; G06F 3/0213; G06F 1/1616; G06F 3/023; G06F 3/04883; G02F 1/13338; G02F 1/1313; G02F 1/1333; G02F 1/135; G02F 1/132; G02F 1/133308; G02F 1/134309; G02F 1/13718; G09G 3/3648; G06K 15/1252; B41J 2/465; G03F 7/70291; G02B 27/0172; G02B 5/30; G02B 2027/0118; G02B 27/0101; F16M 13/02; F16M 13/00; F16M 11/10; F16M 11/04; F16M 2200/08; F16M 11/2021; A47B 21/0314; A47B 88/044; A47B

**DESCRIPTION**

FIG. 1 is a front perspective view of a stand for television showing our new design;  
 FIG. 2 is a front view thereof;  
 FIG. 3 is a rear view thereof;  
 FIG. 4 is a left-side view thereof;  
 FIG. 5 is a right-side view thereof;  
 FIG. 6 is a top plan view thereof;  
 FIG. 7 is a bottom plan view thereof;  
 FIG. 8 is a rear perspective view thereof; and,  
 FIG. 9 is a front perspective view thereof, shown in an environment of use.  
 The broken lines in FIG. 9 illustrate the environment of the claimed design and form no part thereof.

**1 Claim, 9 Drawing Sheets**

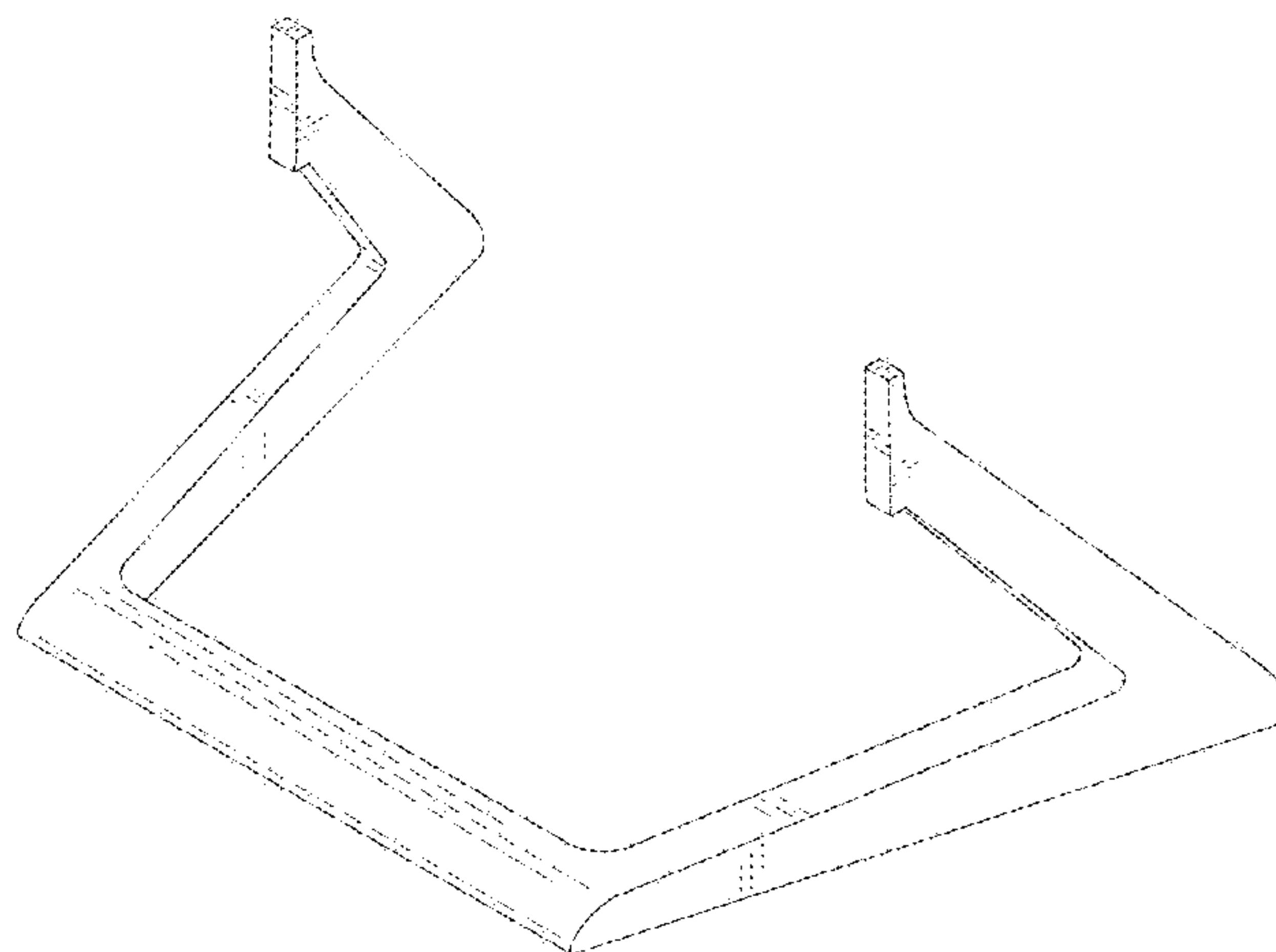


Fig. 1

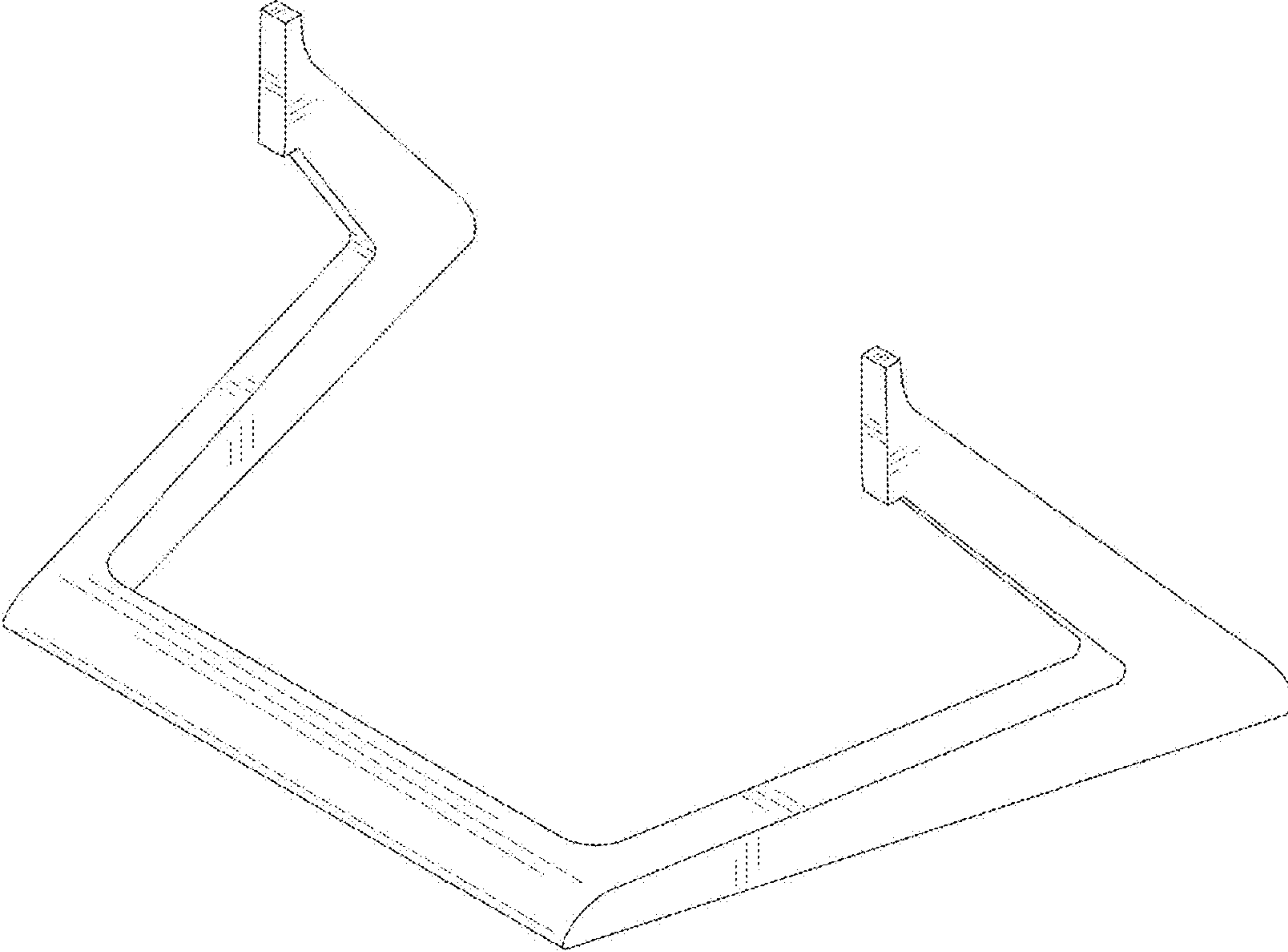


Fig. 2



Fig. 3

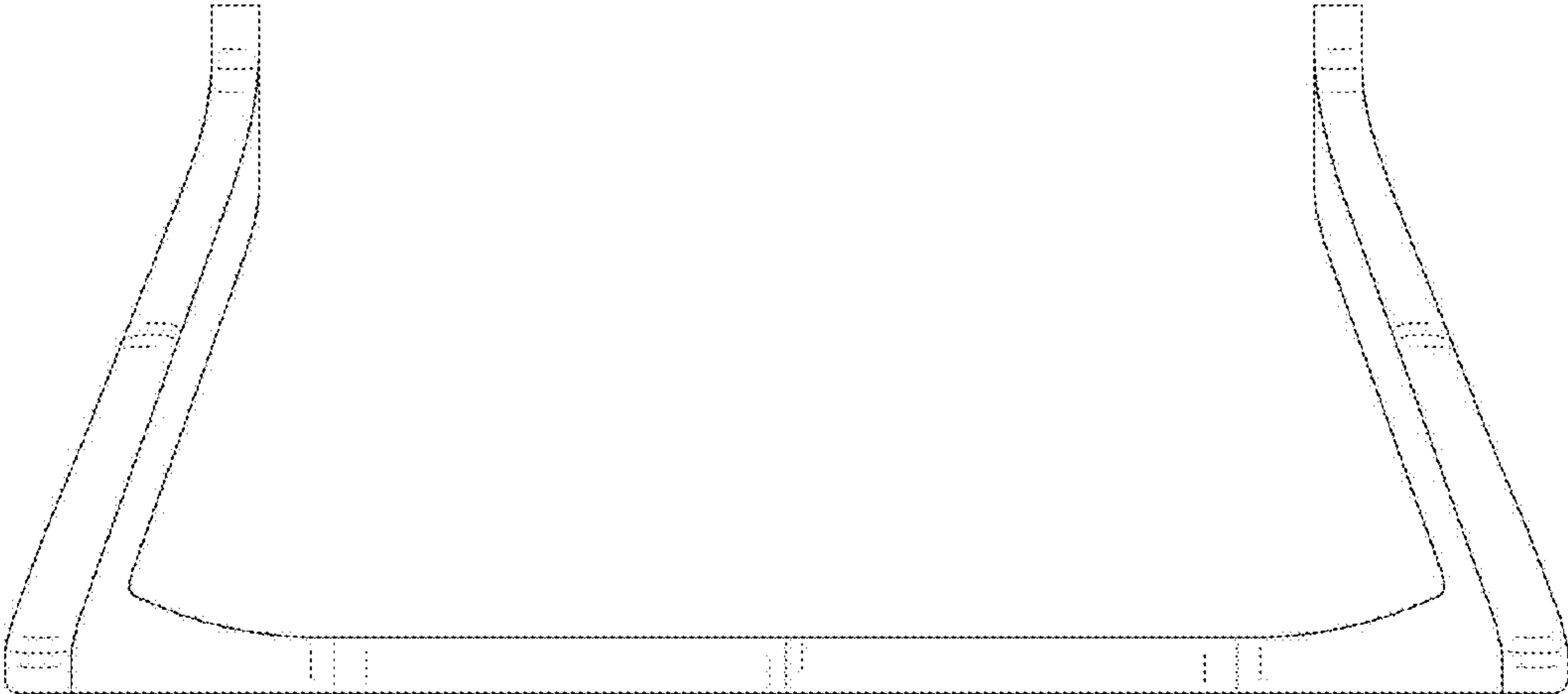


Fig. 4

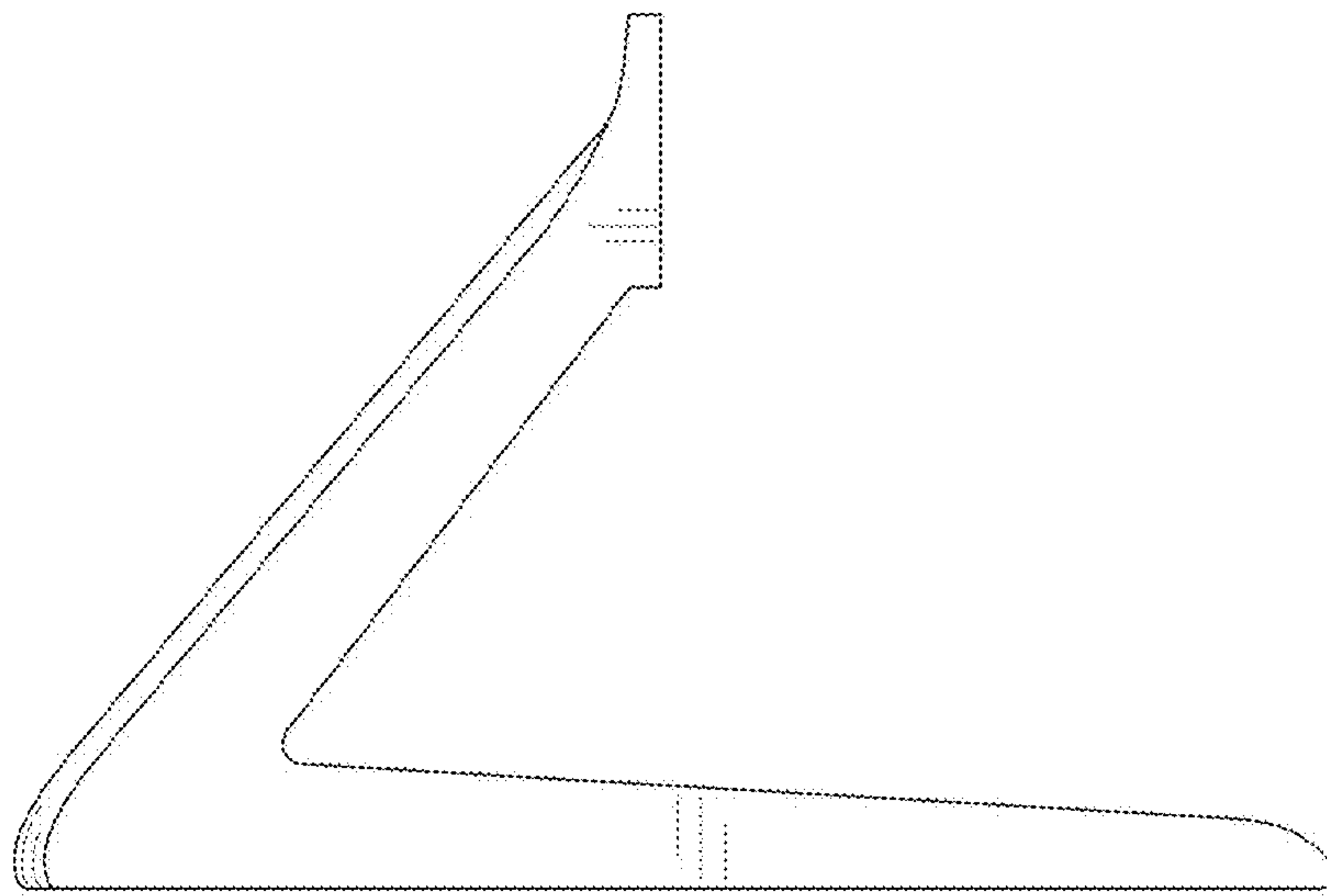


Fig. 5

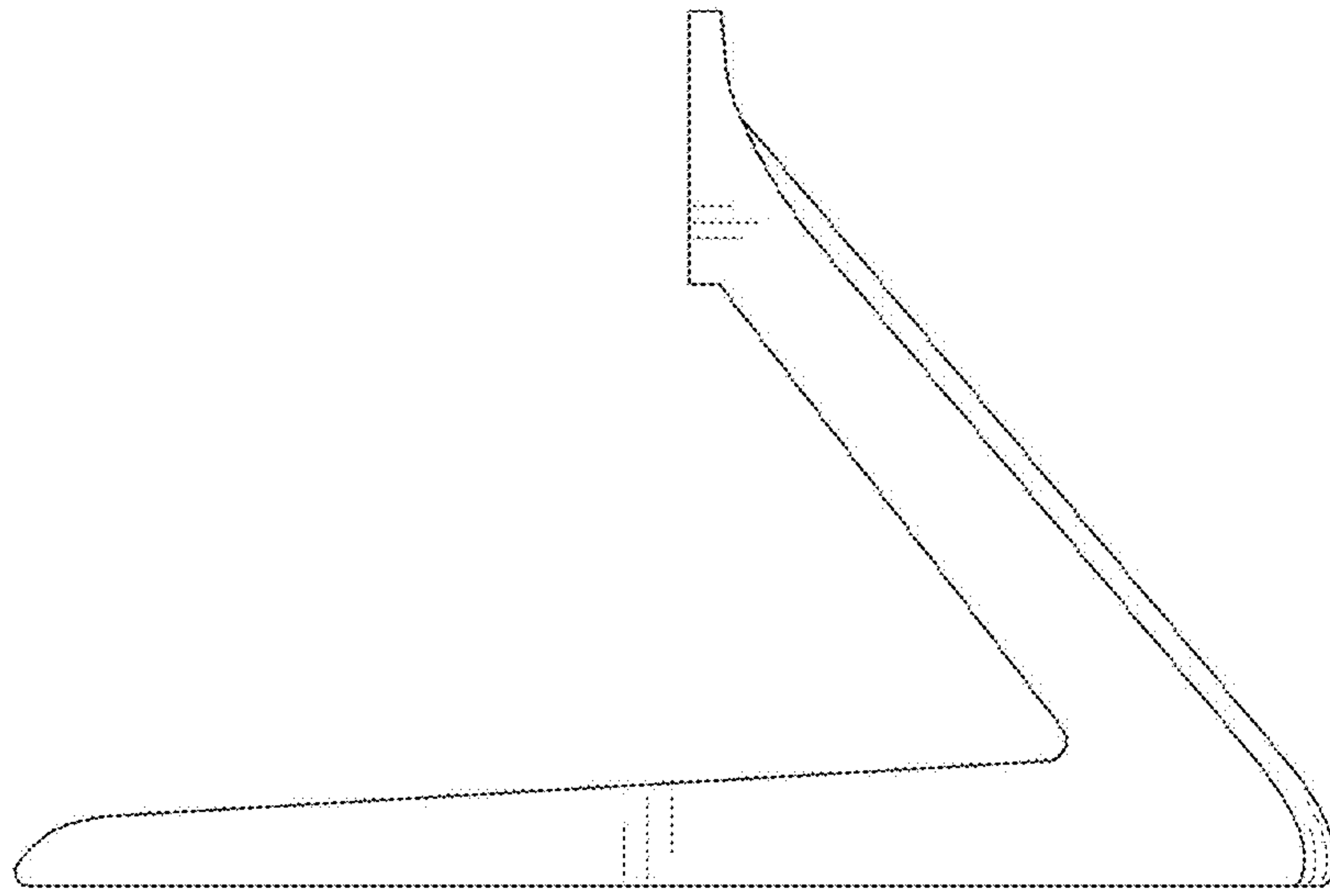


Fig. 6

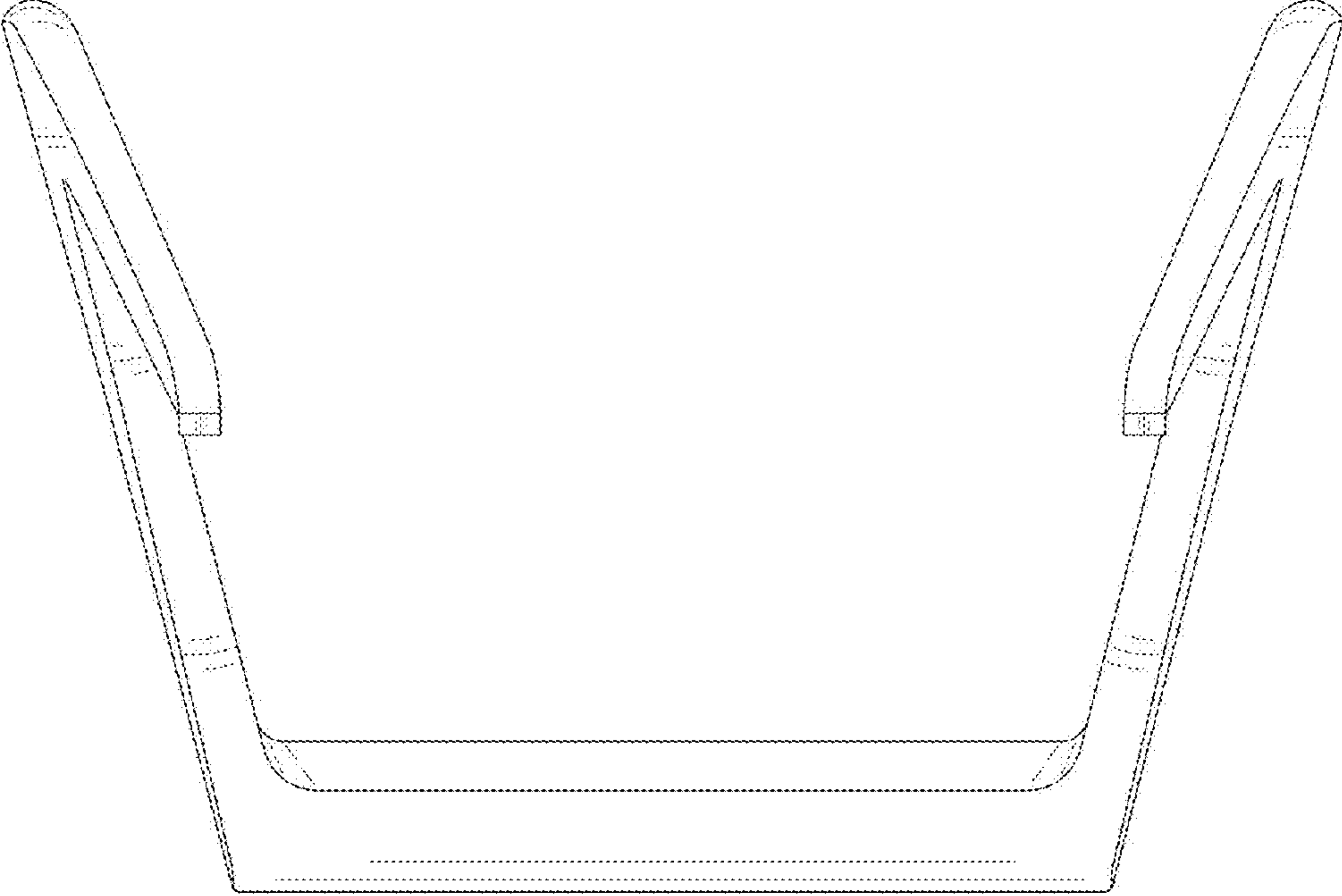


Fig. 7

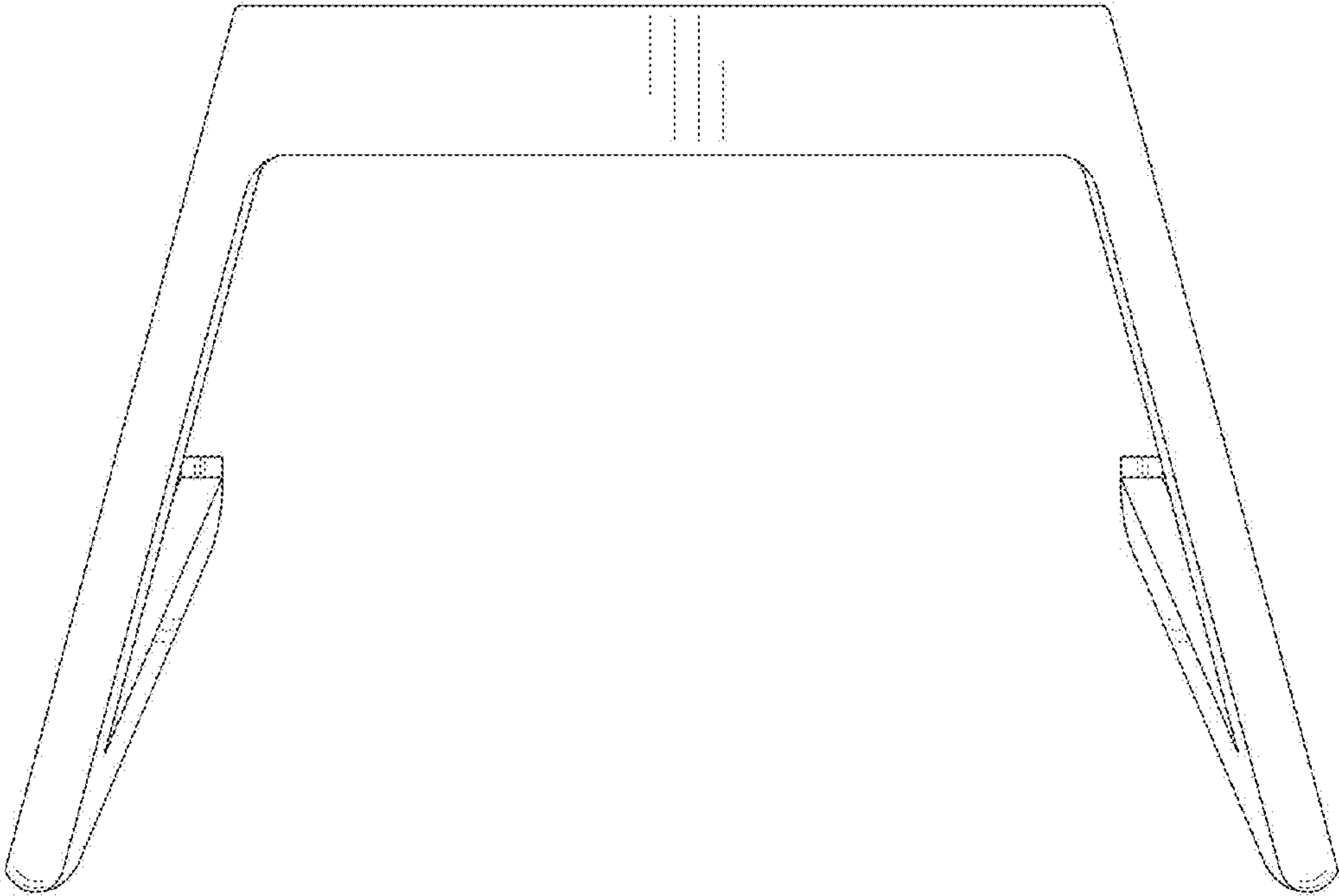




Fig. 8

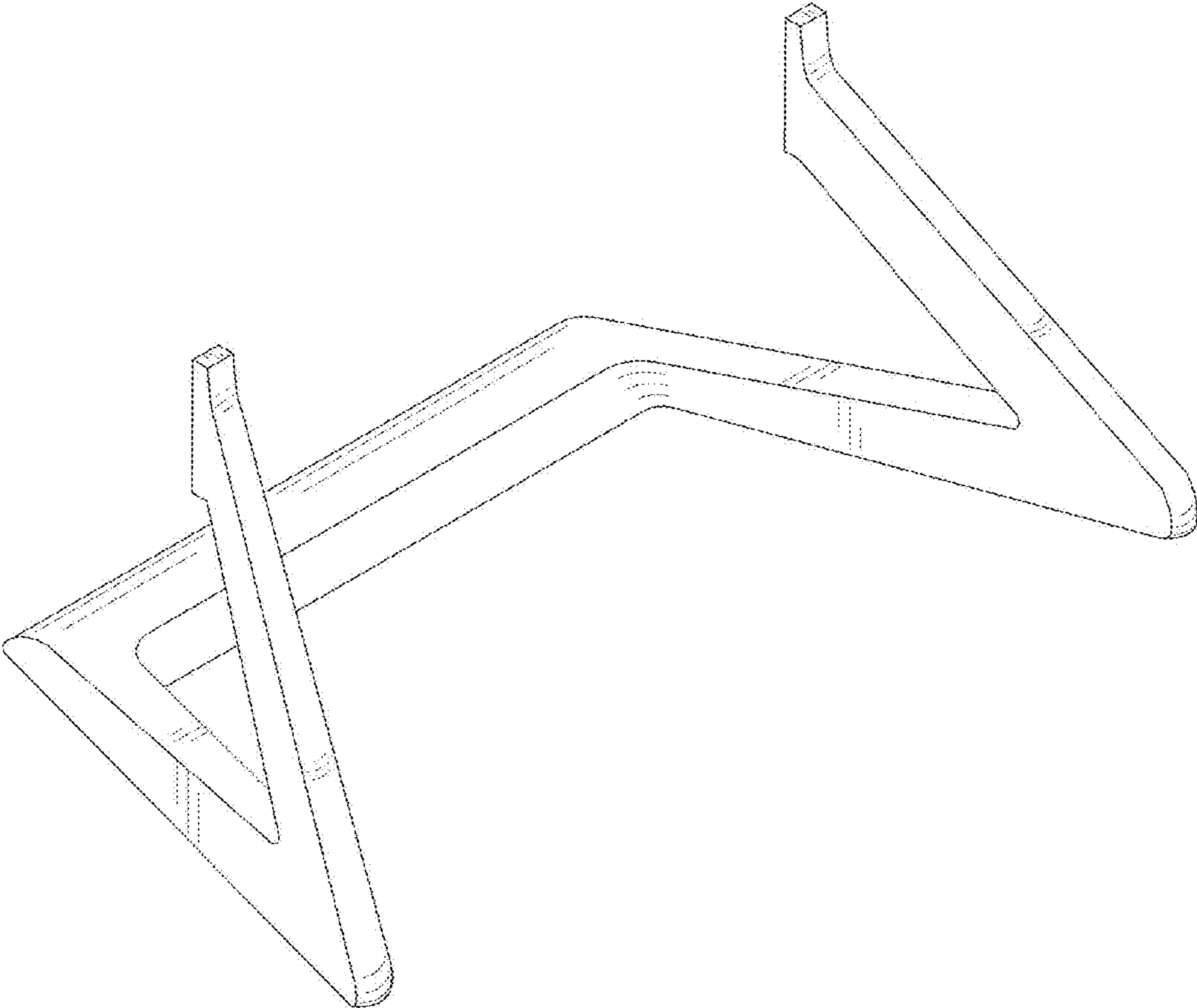


Fig. 9

