



US00D755186S

(12) **United States Design Patent**  
**Amberg et al.**

(10) **Patent No.:** **US D755,186 S**

(45) **Date of Patent:** **\*\* May 3, 2016**

(54) **TONER CONTAINER MEMORY CHIP**

(71) Applicant: **Katun Corporation**, Minneapolis, MN (US)

(72) Inventors: **Joseph A. Amberg**, Chanhassen, MN (US); **Terry D. Erickson**, St. Paul, MN (US)

(73) Assignee: **Katun Corporation**, Minneapolis, MN (US)

(\*\*) Term: **14 Years**

(21) Appl. No.: **29/518,180**

(22) Filed: **Feb. 20, 2015**

(51) **LOC (10) Cl.** ..... **14-02**

(52) **U.S. Cl.**

USPC ..... **D14/436**; D14/435

(58) **Field of Classification Search**

USPC ..... D14/435-438, 478-480; 235/441, 443, 235/487, 492, 493, 495; 361/737, 679, 752, 361/736, 728, 796, 797, 729, 730, 361/725-727; 257/678, 679, 693, E23.064; 439/946, 948, 159; 174/250, 260, 52.1, 174/52.2; 710/300-303; 438/121; D13/182

CPC ..... G06K 19/06196; G06K 19/072; G06K 19/0721; G06K 19/0722; G06K 19/0723; G06K 19/0724; G06K 19/0725; G06K 19/0726; G06K 19/0727; G06K 19/0728; G06K 19/073; G06K 19/07309; G06K 19/077; G06K 19/07701; G06K 19/07715; G06K 19/0772; G06K 19/07722; G06K 19/07724; G06K 19/07726; G06K 19/07728; G06K 19/0773; G06K 19/07735; G06K 19/07737; G06K 19/07739; G06K 19/07741; G06K 19/07743; G06K 19/07745; G06K 19/07747; G06K 19/07749; G06K 19/07758; G06K 19/07767; G06K 19/07769; G06K 19/07771; G06K 19/07773; G06K 19/07775; G06K 19/083; G06K 19/086; G06K 19/145; G06K 19/18; G06K 2215/0022; G06K 2215/0025; G06K 2215/0028; G06K 2215/0031; G06K

2215/004; G06K 2215/0082; G06F 21/77-21/80; G06F 21/85-21/88; G06F 21/00; G06Q 20/3229; G06Q 20/34; G06Q 20/341; G06Q 20/346; G06Q 20/349; G06Q 20/3563; G06Q 20/3567; G06Q 20/357; G06Q 20/3576; H05K 5/026; H05K 5/0256; H05K 5/0265; H05K 5/0269; H05K 5/0273; H05K 5/0278; H05K 5/0282; H05K 5/0286; H05K 5/0291; H05K 5/0295; H05K 5/03; H05K 5/04; H05K 5/06; H05K 5/061; H05K 5/062; H05K 5/063; H05K 5/064; H05K 5/065; H05K 5/066; H05K 5/067; H05K 5/068; H05K 5/069; H05K 7/00; H05K 7/005; H05K 7/02; H05K 7/023; H05K 7/026; H05K 7/04; H05K 7/10; H05K 7/1418; H05K 7/142; H05K 7/1424; H05K 7/1427-7/1439; H05K 7/1461; H05K 7/1464-7/1474; H05K 7/1479; H05K 7/1481; H05K 7/1485-7/1488; H05K 2201/09745; H05K 2201/09754; H05K 2201/09763; H05K 2201/09772; H05K 2201/098; H05K 2201/09818; H05K 2201/10; H05K 2201/10007; H05K 2201/10098; H05K 2201/10143; H05K 2201/10159; H05K 2201/10174; H05K 2201/10212; H05K 2201/1028; H05K 2201/1031; H05K 2201/10431; H05K 2201/10462; H05K 2201/10545; H05K 2201/10553; H05K 2201/1056; H05K 2201/10621; H05K 2201/10636; H05K 2203/05; H05K 3/368; H05K 3/3436; H05K 3/36; H05K 3/40; H05K 3/4007; H05K 3/4015; H05K 3/403; H05K 3/4053; H05K 3/4092; H05K 3/42; H05K 3/421; H05K 3/46; H05K 1/14; H05K 1/141; H05K 1/142; H05K 1/144; H05K 1/145; H05K 1/182; H04N 2201/216

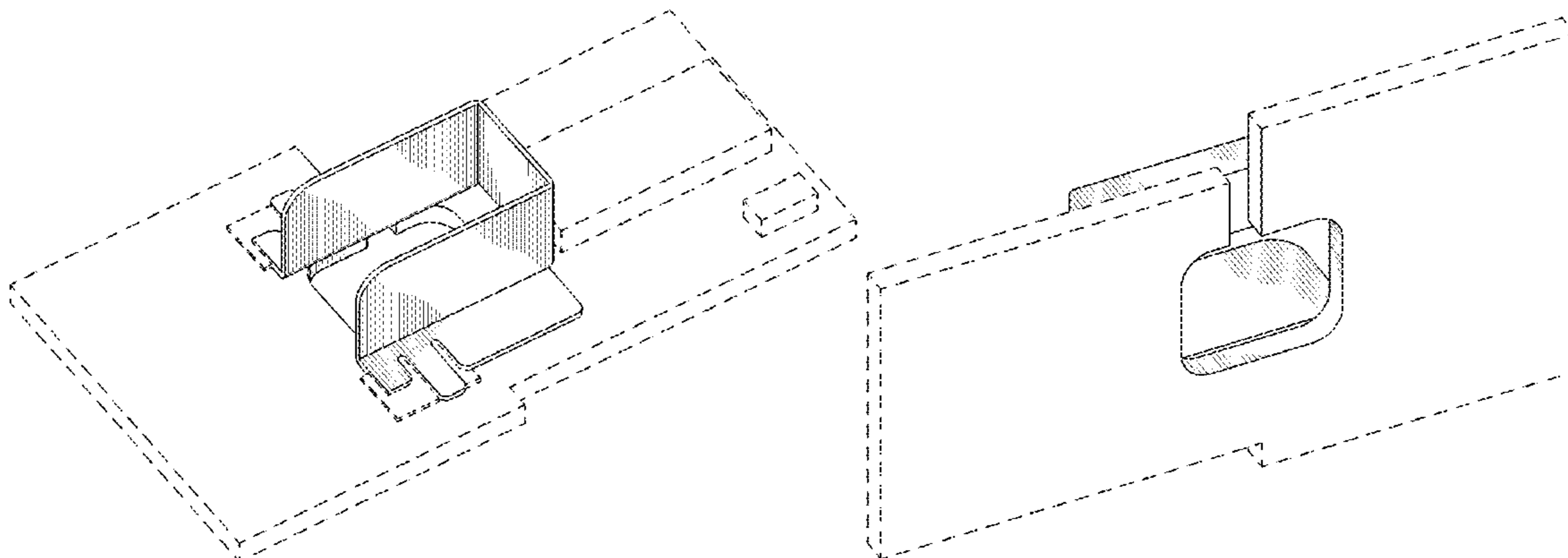
See application file for complete search history.

(56)

**References Cited**

**U.S. PATENT DOCUMENTS**

D351,913 S \* 10/1994 Hieb ..... D24/169  
D474,773 S \* 5/2003 Kondo ..... D13/182  
D494,938 S \* 8/2004 Kamada ..... D13/182  
D528,547 S \* 9/2006 Nakamura ..... D14/435



D529,030	S *	9/2006	Nakamura	.....	D14/435
D529,914	S *	10/2006	Nakamura	.....	D14/435
D534,169	S *	12/2006	Nakamura	.....	D14/435
D608,741	S *	1/2010	Miyashita	.....	D13/182
D664,544	S *	7/2012	Yi	.....	D14/436
D681,571	S *	5/2013	Omori	.....	D13/182
D693,318	S *	11/2013	Shinkai	.....	D13/182
2005/0089753	A1 *	4/2005	Yoon	.....	H01M 2/0285 429/180
2005/0153172	A1 *	7/2005	Han	.....	H01M 2/34 429/7
2005/0221174	A1 *	10/2005	Yoon	.....	H01M 2/26 429/161
2005/0221176	A1 *	10/2005	Kim	.....	H01M 2/26 429/175
2006/0003192	A1 *	1/2006	Lim	.....	H01M 2/20 429/7
2007/0026296	A1 *	2/2007	Byun	.....	H01M 2/0404 429/72
2008/0050938	A1 *	2/2008	Pairault	.....	G06F 13/4059 439/65
2010/0038055	A1 *	2/2010	Chen	.....	H01L 23/4093 165/80.2

OTHER PUBLICATIONS

U.S. Appl. No. 29/521,634, Notice of Allowance mailed Dec. 24, 2015, 9 pgs.

\* cited by examiner

*Primary Examiner* — Susan Moon Lee  
 (74) *Attorney, Agent, or Firm* — Schwegman Lundberg & Woessner, P.A.

(57) **CLAIM**

The ornamental design for a toner container memory chip, as shown and described.

**DESCRIPTION**

FIG. 1 is a perspective view of the toner container memory chip, showing the new design.

FIG. 2 is a first side view of the toner container memory chip of FIG. 1.

FIG. 3 is a second side view of the toner container memory chip of FIG. 1.

FIG. 4 is a front view of the toner container memory chip of FIG. 1.

FIG. 5 is a back view of the toner container memory chip of FIG. 1.

FIG. 6 is a top view of the toner container memory chip of FIG. 1.

FIG. 7 is a bottom view of the toner container memory chip of FIG. 1.

FIG. 8 is a second perspective view of the toner container memory chip of FIG. 1.

FIG. 9 is a third perspective view of the toner container memory chip of FIG. 1.

FIG. 10 is a fourth perspective view of the toner container memory chip of FIG. 1.

FIG. 11 is a fifth perspective view of the toner container memory chip of FIG. 1; and,

FIG. 12 is a sixth perspective view of the toner container memory chip of FIG. 1.

The broken lines depict environmental subject matter only and form no part of the claimed design.

**1 Claim, 7 Drawing Sheets**

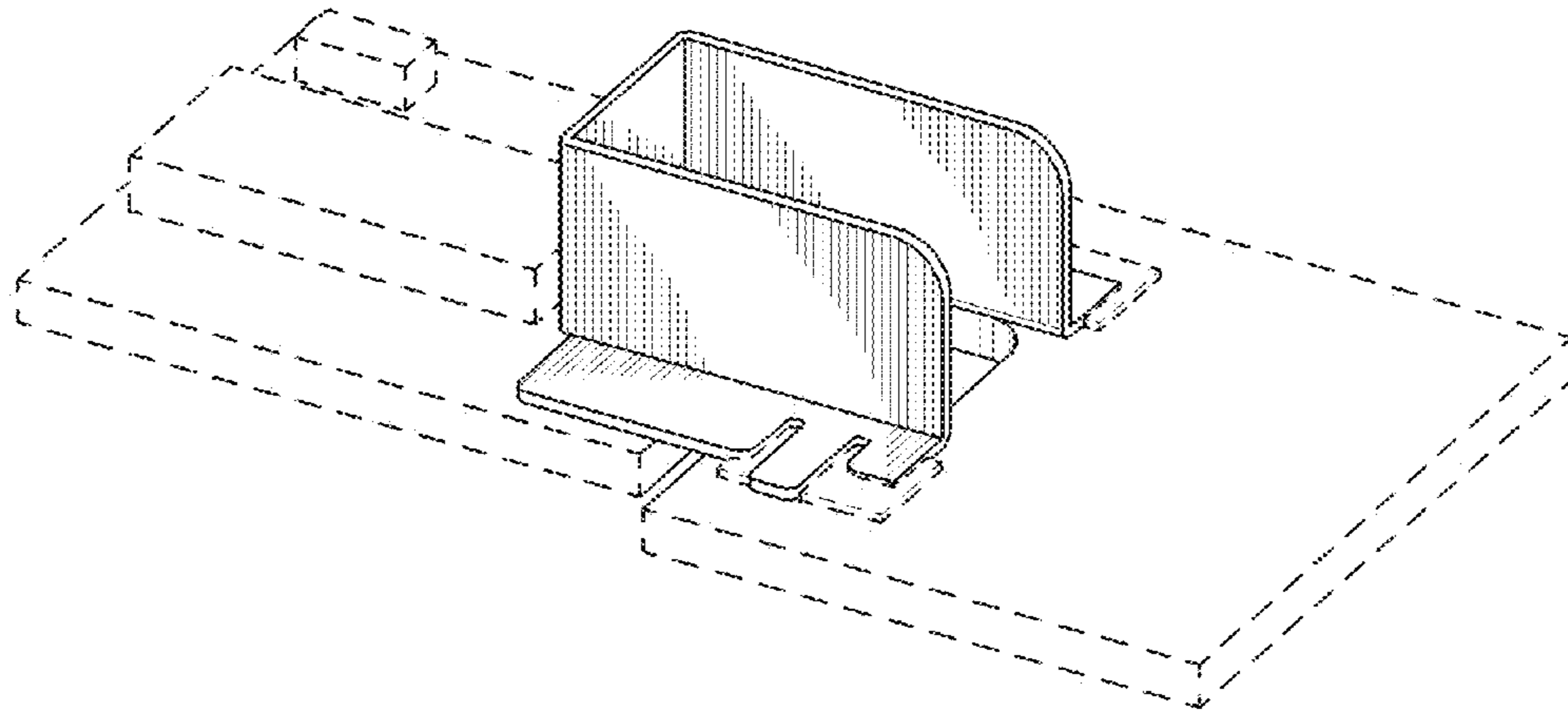


FIG. 1

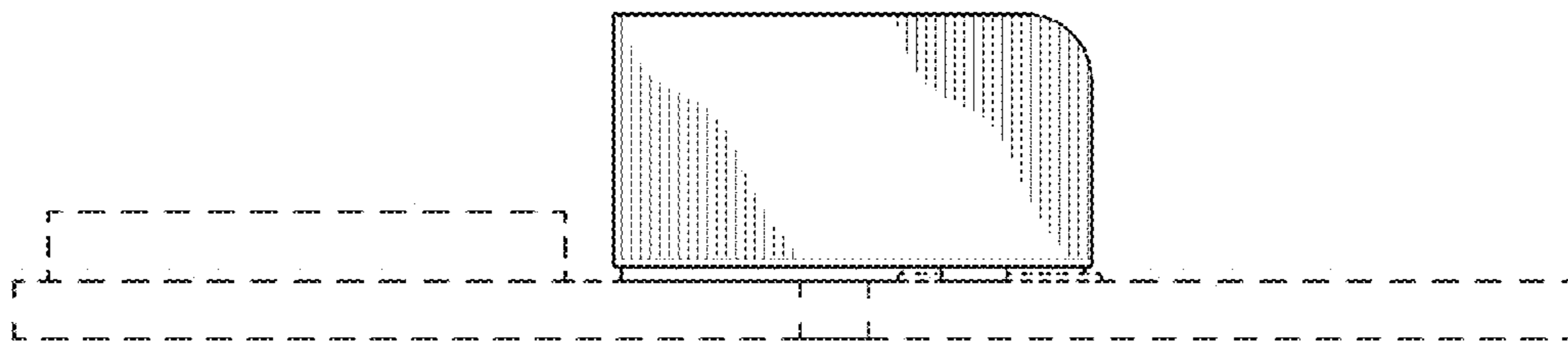


FIG. 2

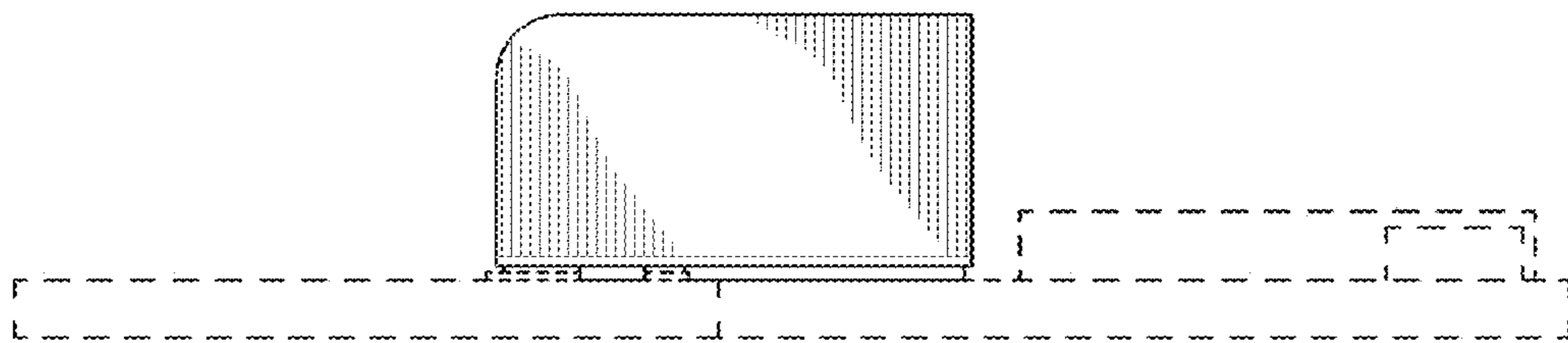
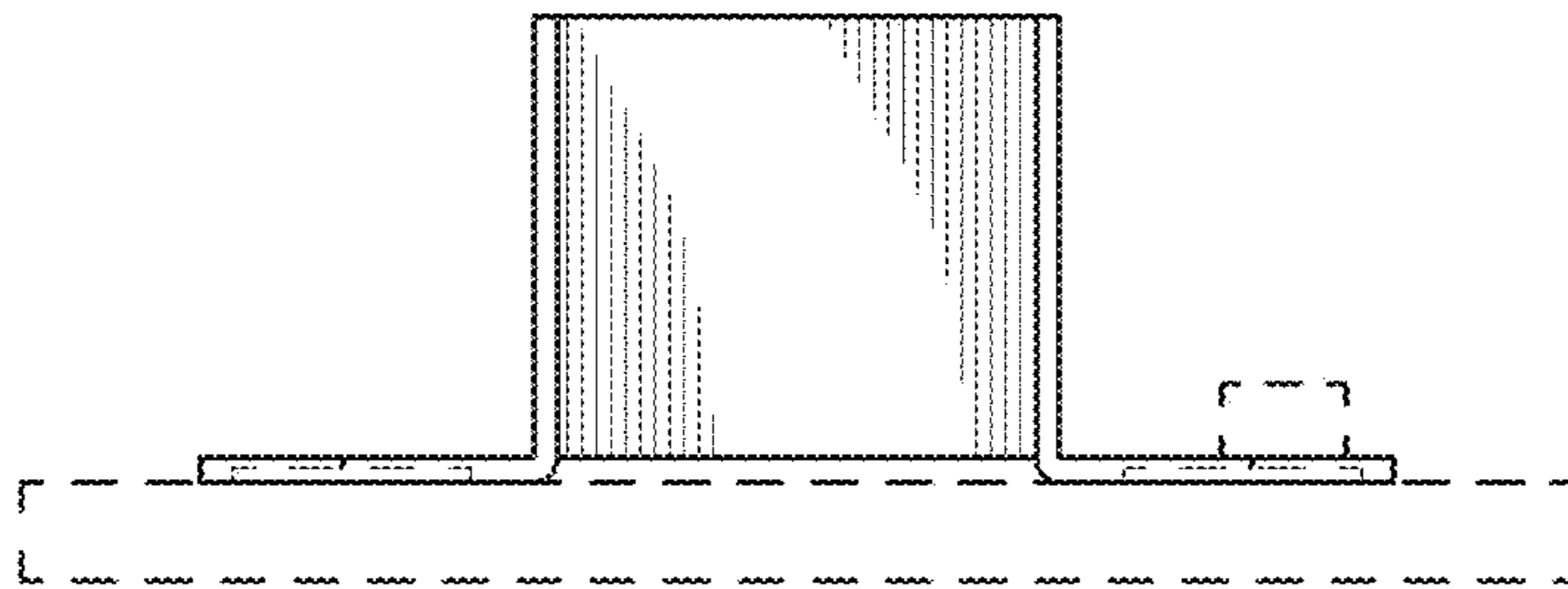
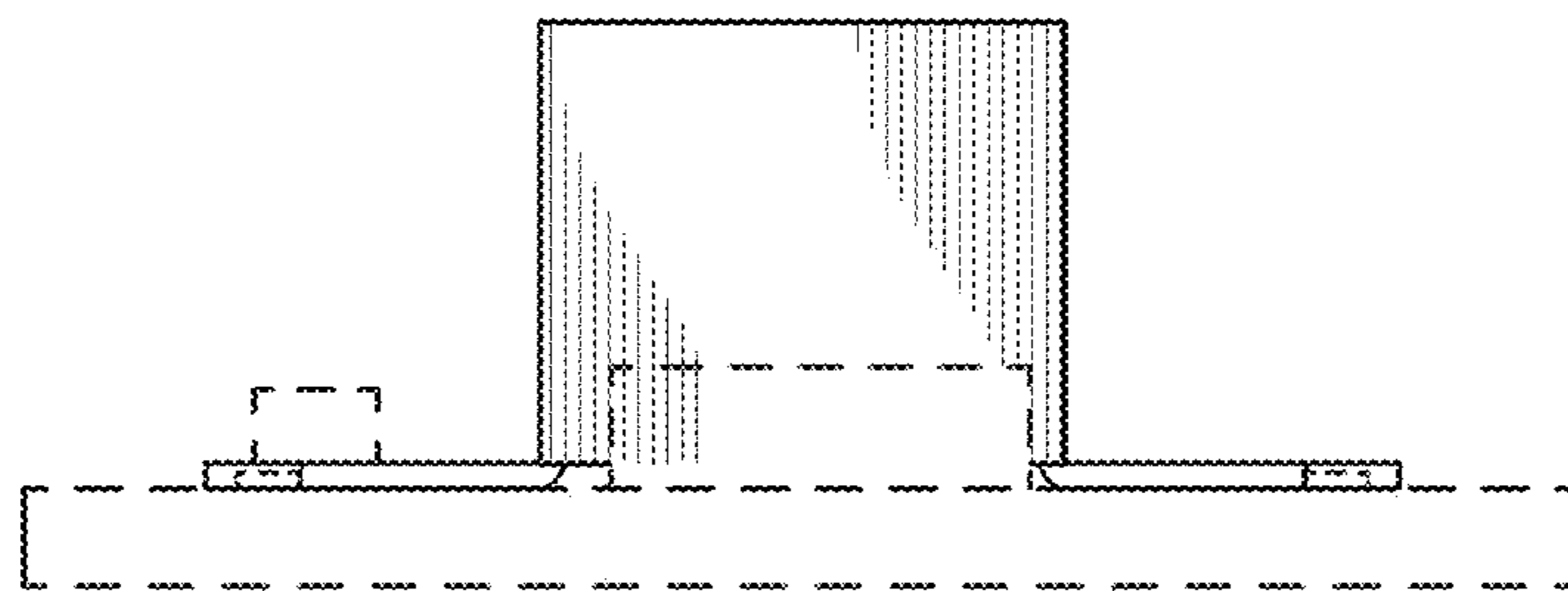


FIG. 3



*FIG. 4*



*FIG. 5*

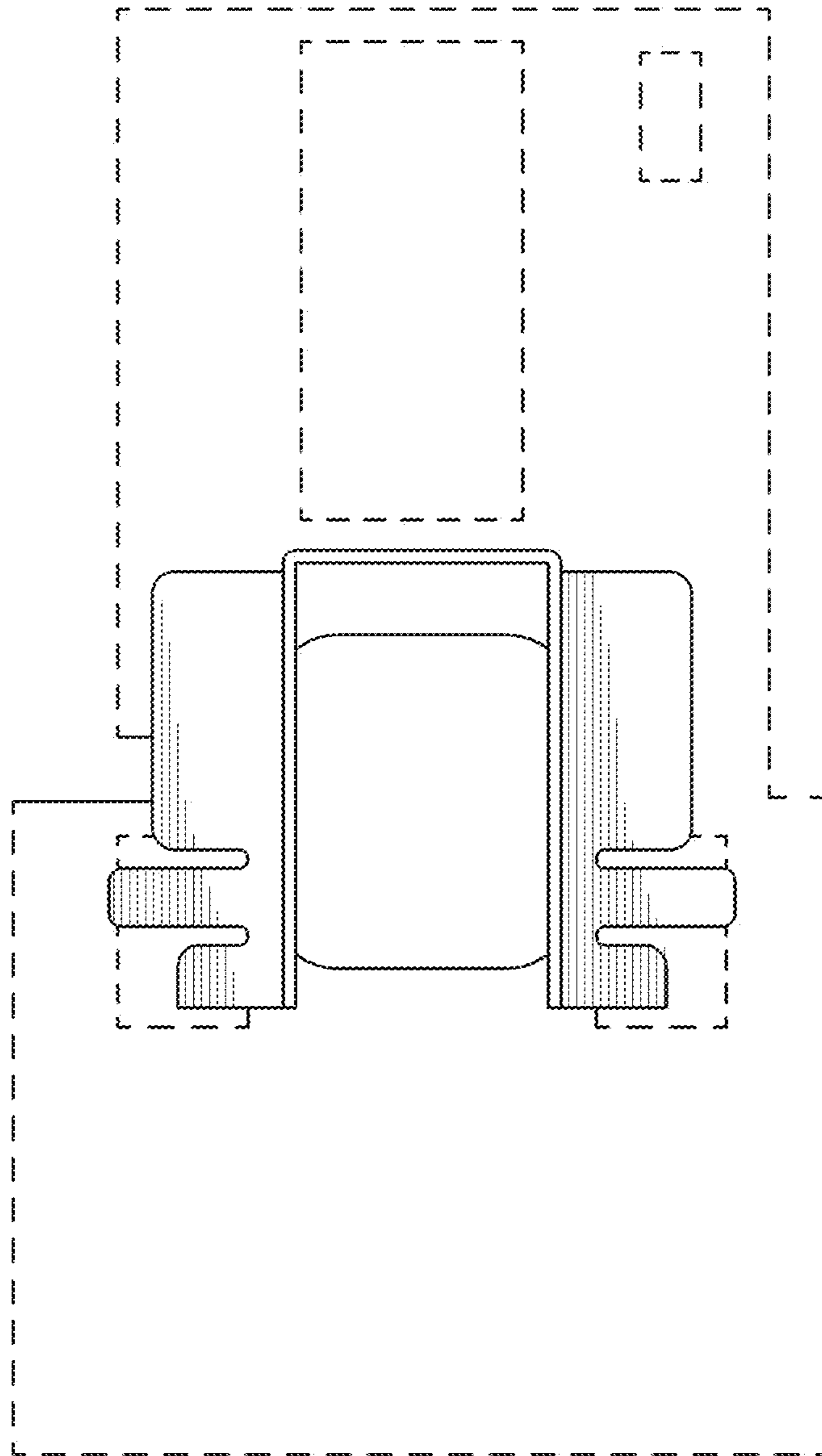
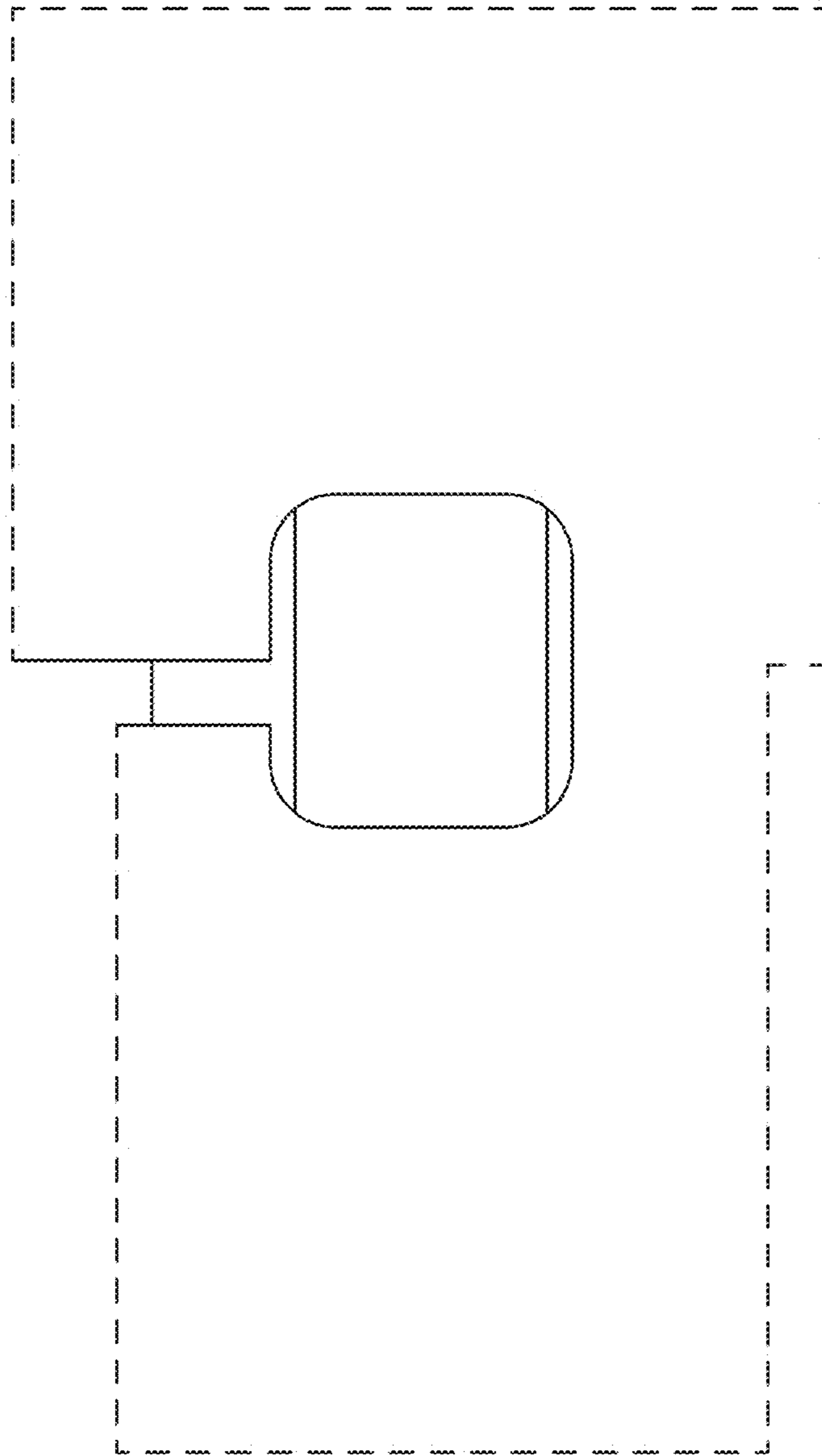


FIG. 6



*FIG. 7*

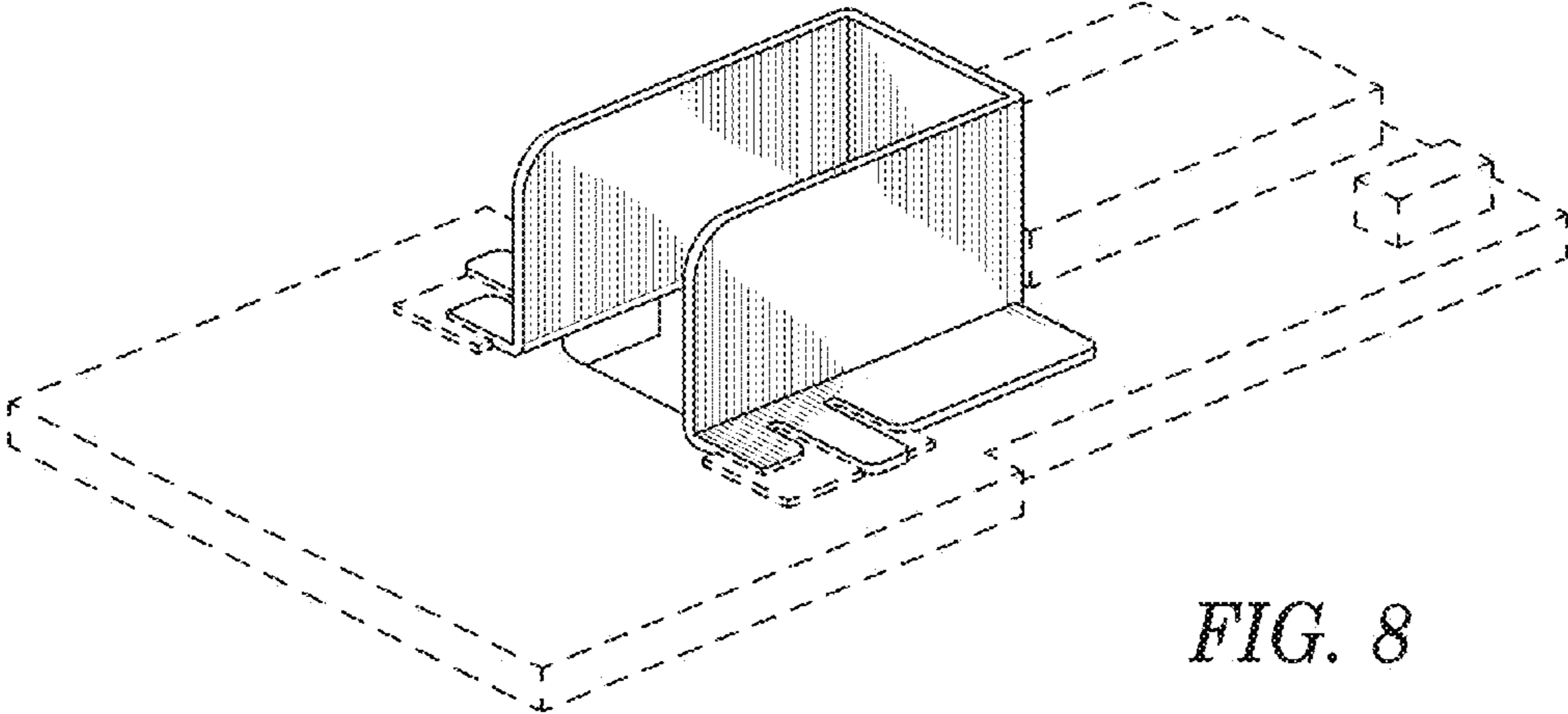


FIG. 8

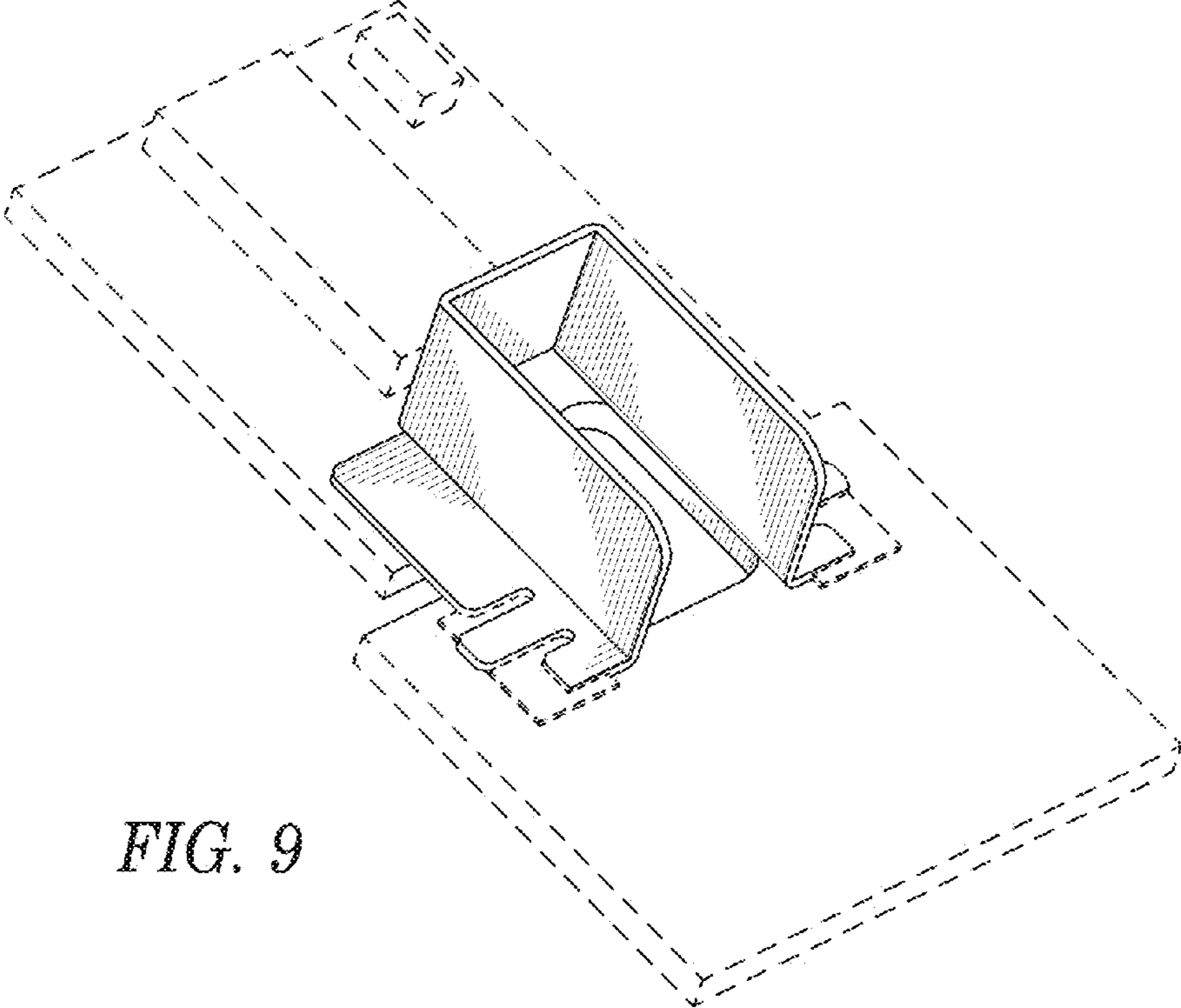
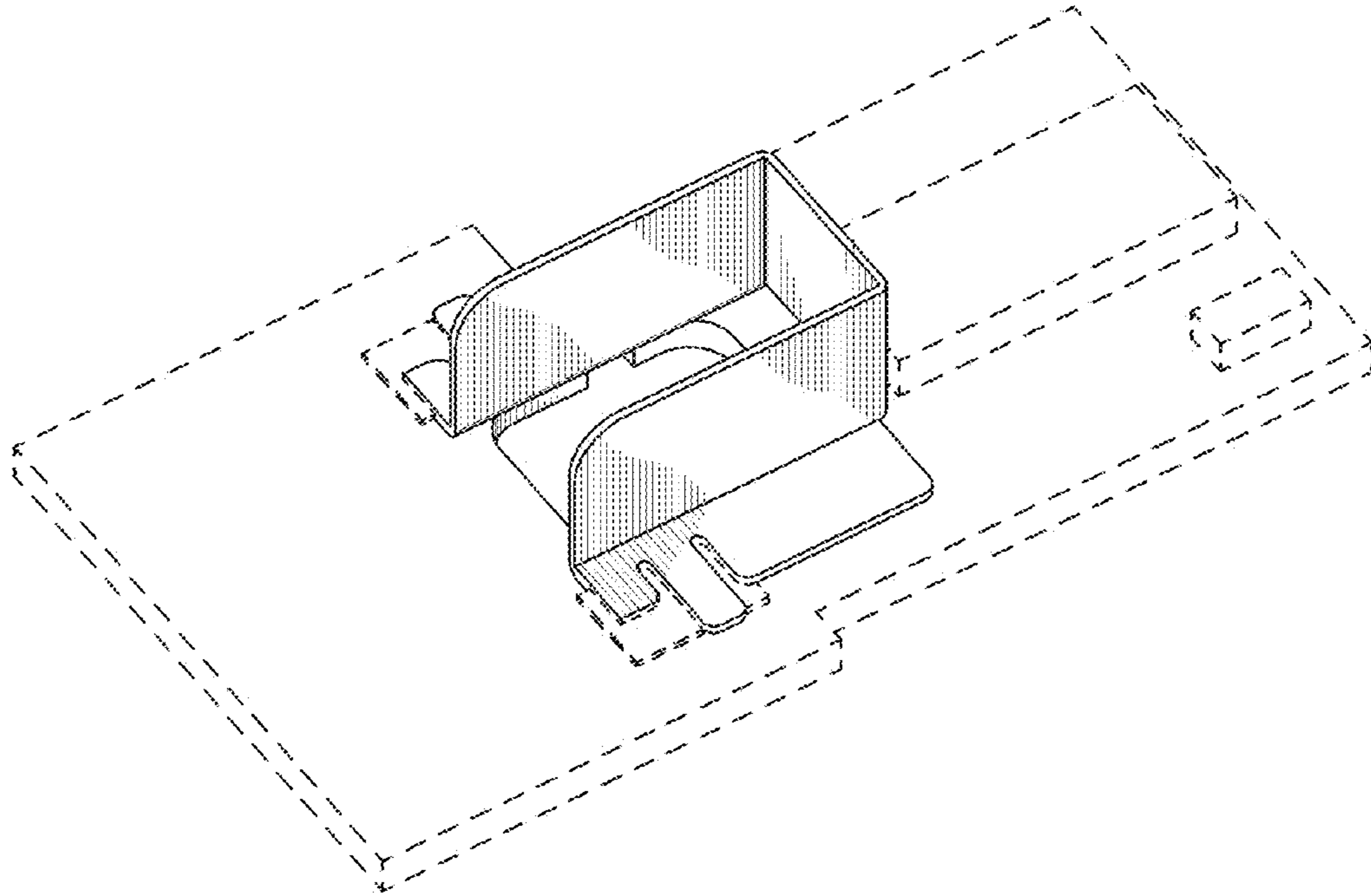
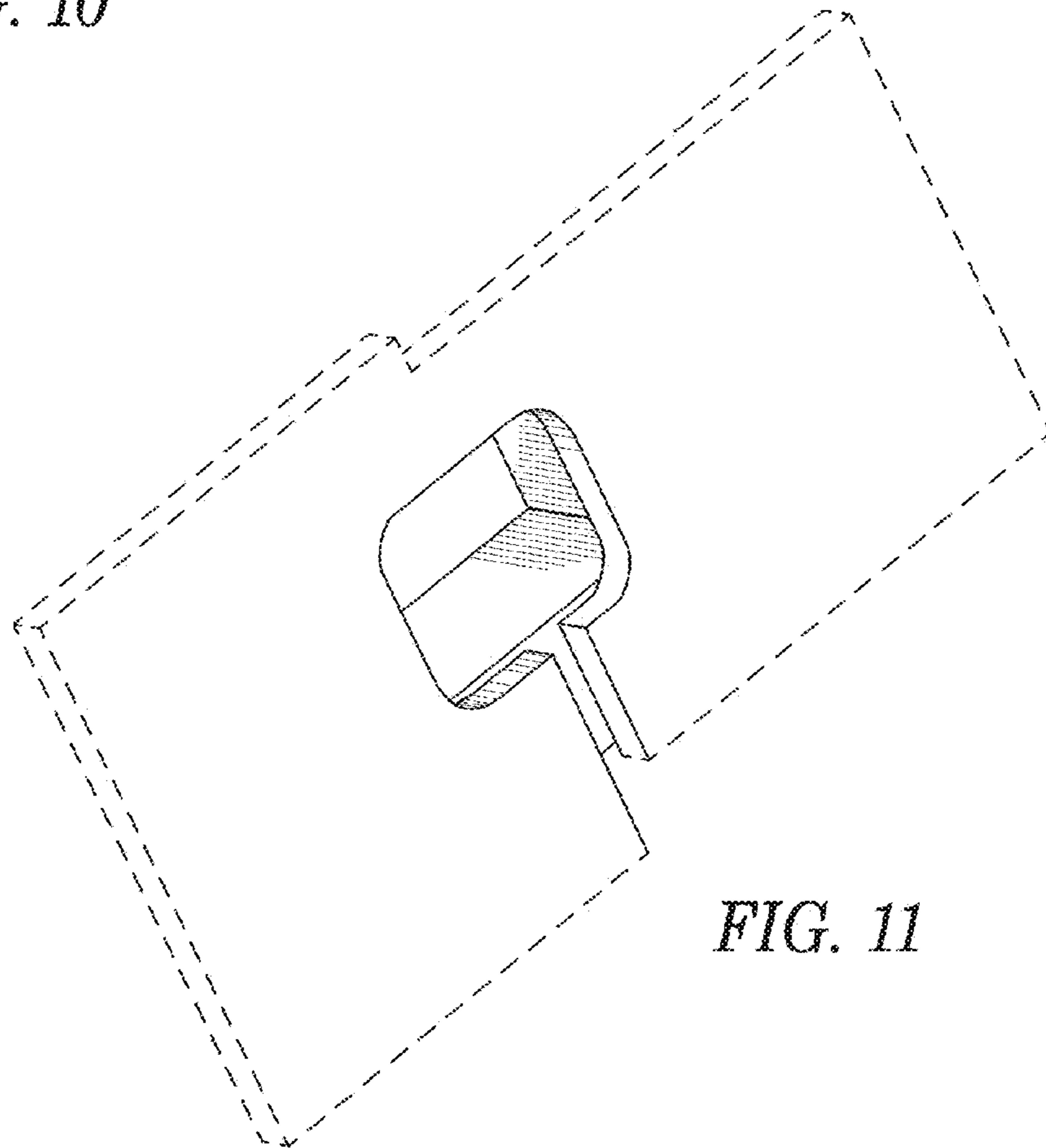


FIG. 9

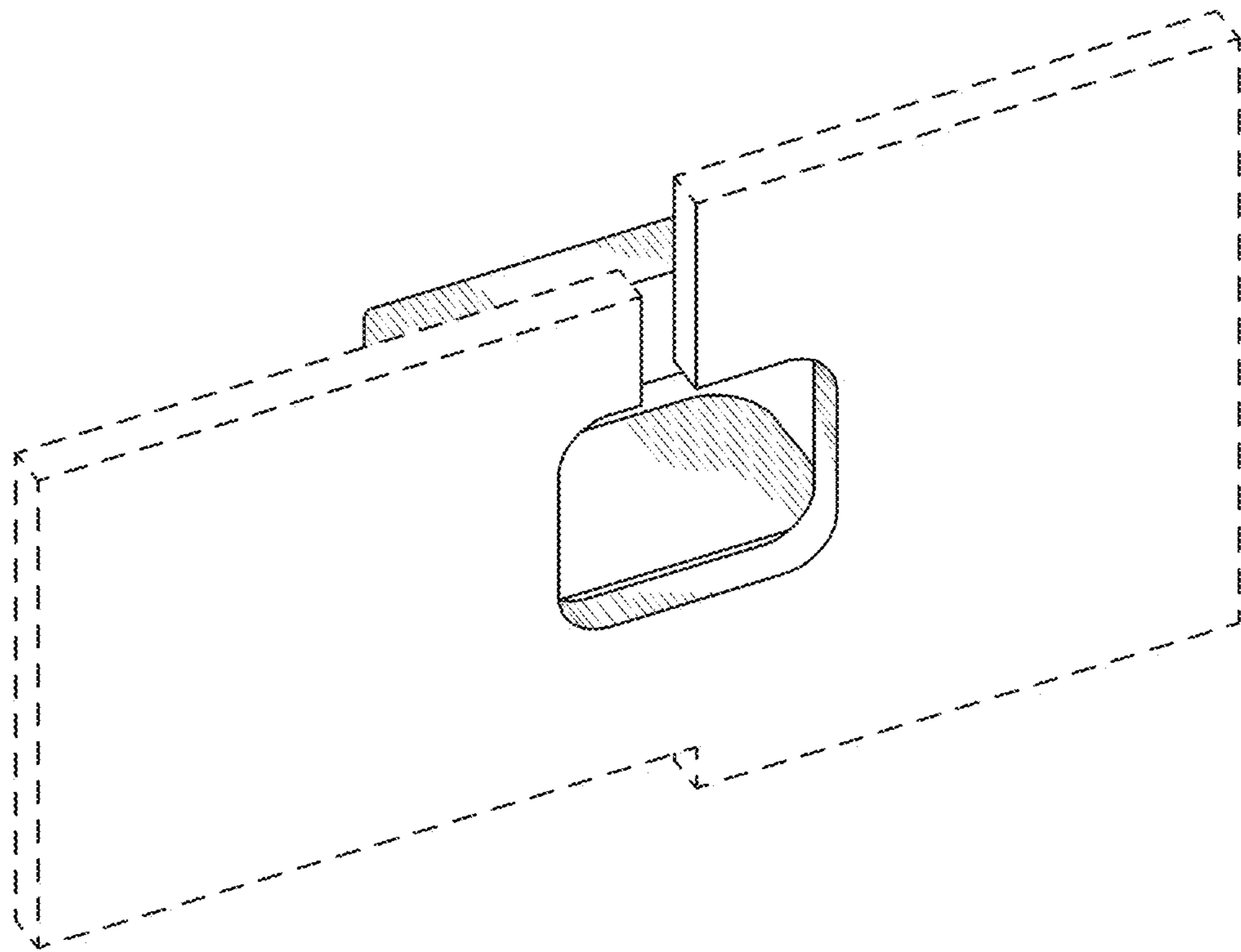


*FIG. 10*



*FIG. 11*





*FIG. 12*