



US00D755185S

(12) **United States Design Patent**
Khanampornpan

(10) **Patent No.:** **US D755,185 S**

(45) **Date of Patent:** **** May 3, 2016**

(54) **ADAPTER**

(71) Applicant: **Viroj Khanampornpan**, Bangkok (TH)

(72) Inventor: **Viroj Khanampornpan**, Bangkok (TH)

(**) Term: **15 Years**

(21) Appl. No.: **29/527,880**

(22) Filed: **May 22, 2015**

(51) **LOC (10) Cl.** **14-02**

(52) **U.S. Cl.**
USPC **D14/433**

(58) **Field of Classification Search**
USPC D14/356, 432-434, 453, 454, 511,
D14/203.8, 209.1, 238.1, 240, 125;
439/638, 928, 105, 502; 710/303, 304;
361/679.41, 679.55, 679.56; D13/110,
D13/133, 146
CPC ... H04L 12/2832; H04L 12/2838; G06F 3/00;
G06F 5/00; G06F 13/14
See application file for complete search history.

(56) **References Cited**

U.S. PATENT DOCUMENTS

D565,443 S * 4/2008 Frake D10/78
D604,725 S * 11/2009 Chen D13/184

D624,548 S * 9/2010 Yamamoto D14/433
D627,784 S * 11/2010 Yamamoto D14/433
D643,841 S * 8/2011 Lyford D13/133
D649,971 S * 12/2011 Lyford D13/133
D683,314 S * 5/2013 Andre D13/108
D704,578 S * 5/2014 Chen D10/70
D714,293 S * 9/2014 Kelly D14/433
D718,715 S * 12/2014 Si
D730,903 S * 6/2015 Langhammer D14/433
D731,489 S * 6/2015 Langhammer D14/433

* cited by examiner

Primary Examiner — Austin Murphy

(74) *Attorney, Agent, or Firm* — Kim Winston LLP

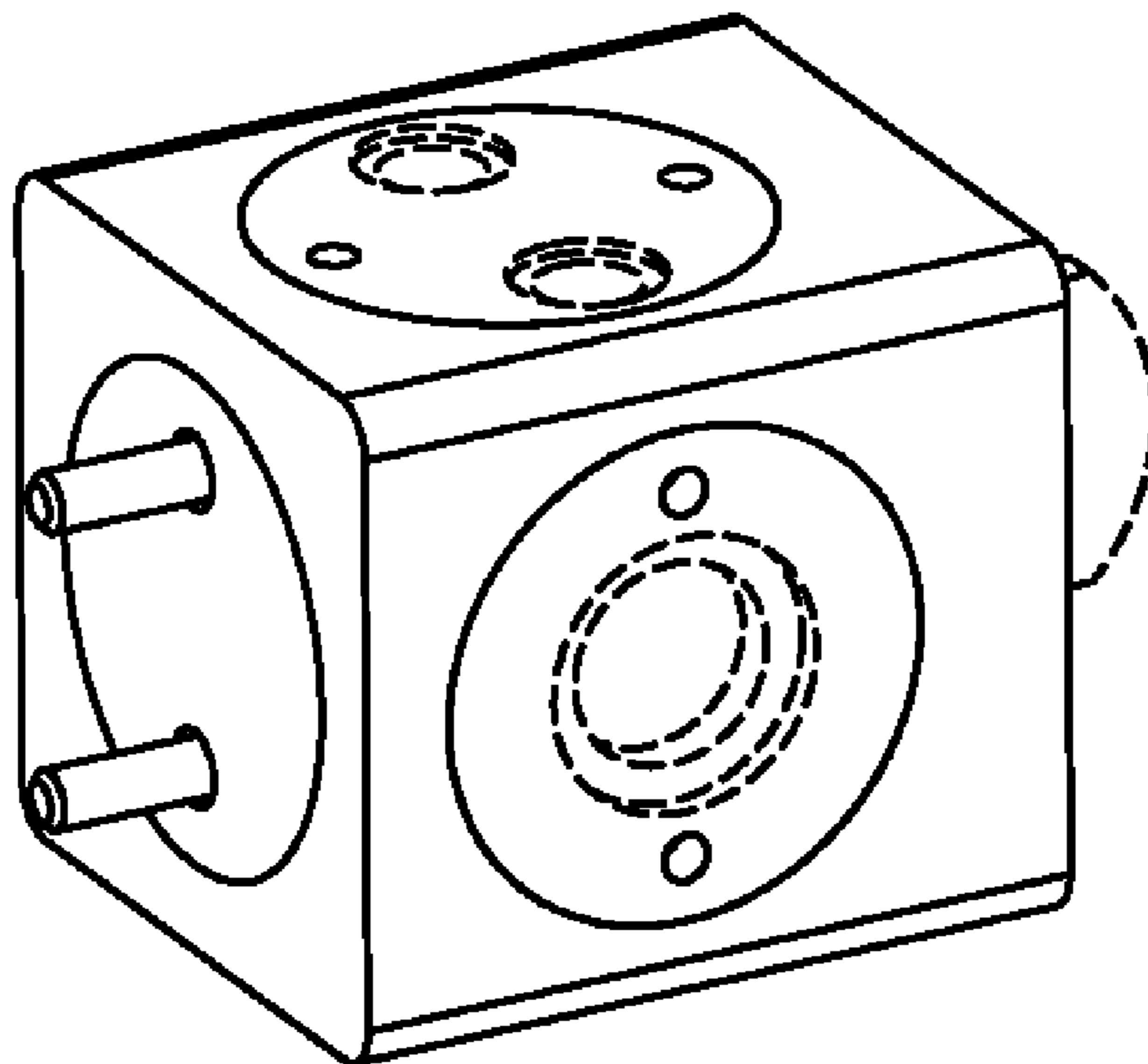
(57) **CLAIM**

The ornamental design for an adapter, as shown and described.

DESCRIPTION

FIG. 1 is a front side view of an adapter in accordance with the new design;
FIG. 2 is a rear side view of the adapter of FIG. 1;
FIG. 3 is a left side view of the adapter of FIG. 1;
FIG. 4 is a right side view of the adapter of FIG. 1;
FIG. 5 is a top plan view of the adapter of FIG. 1;
FIG. 6 is a bottom plan view of the adapter of FIG. 1; and,
FIG. 7 is a perspective view of the adapter of FIG. 1.
The broken lines in FIGS. 1-7, illustrate portions of the adapter which form no part of the claimed design.

1 Claim, 1 Drawing Sheet



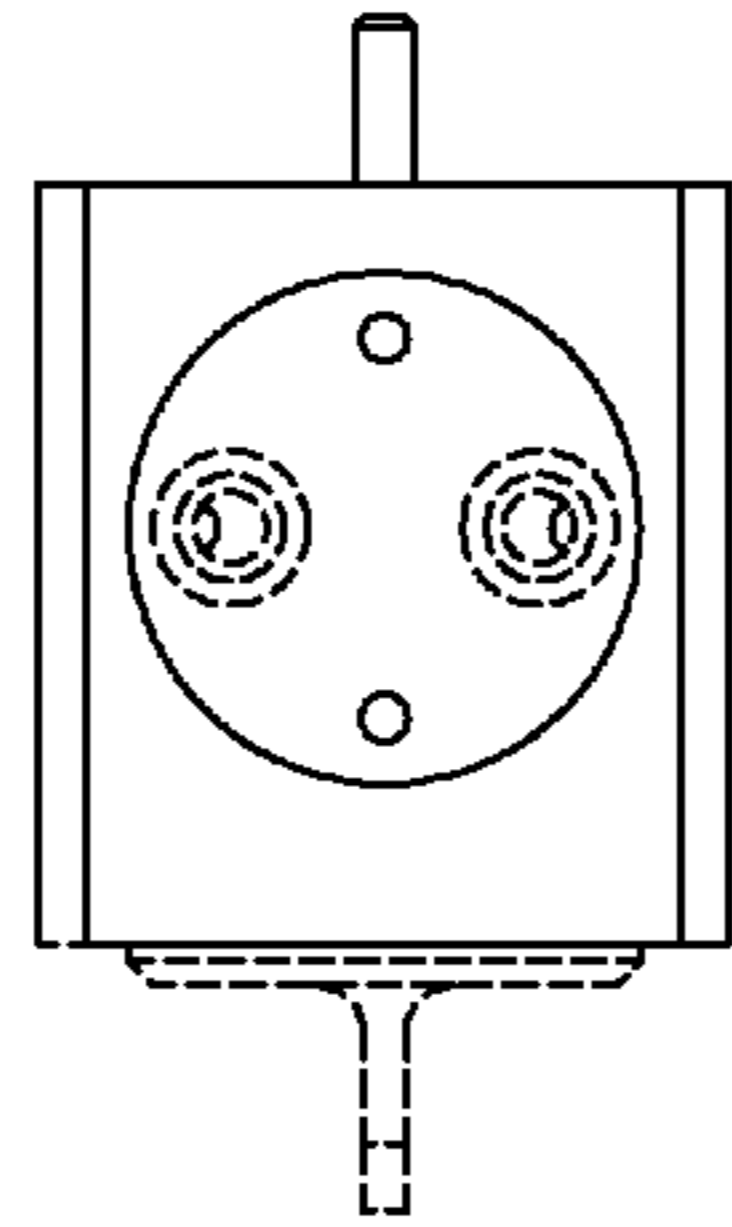


FIG. 5

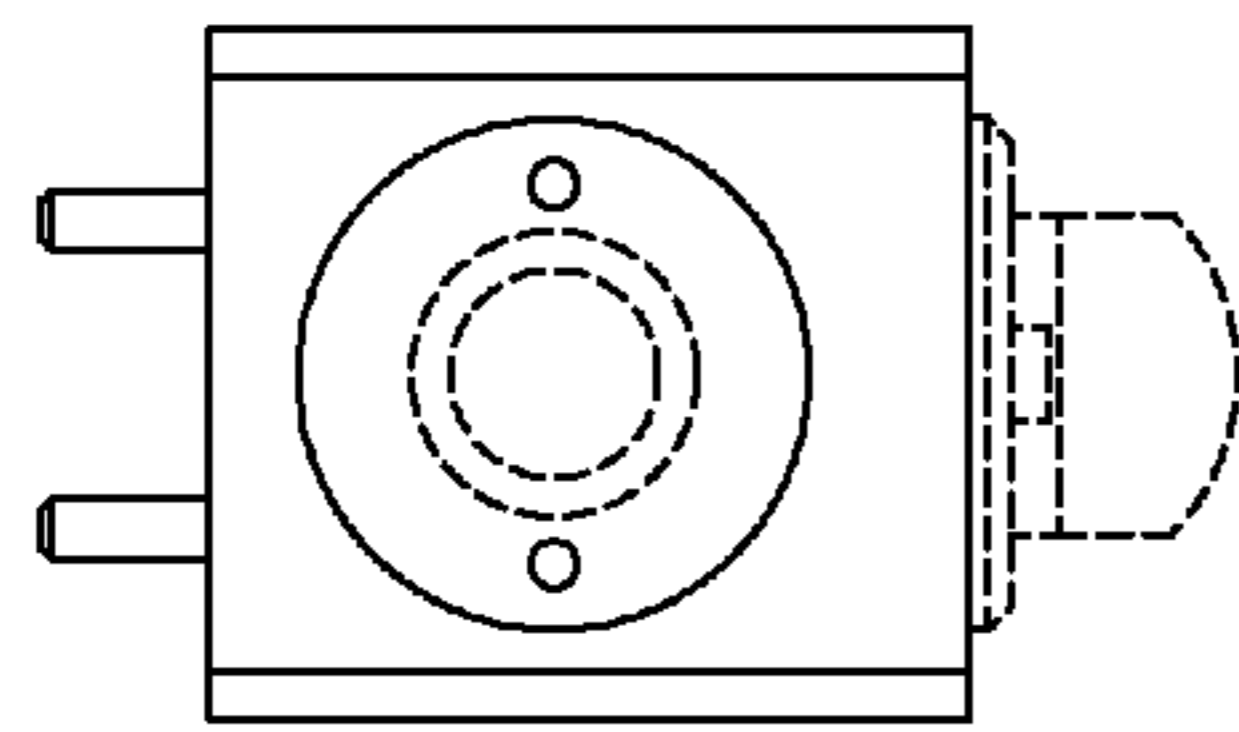


FIG. 3

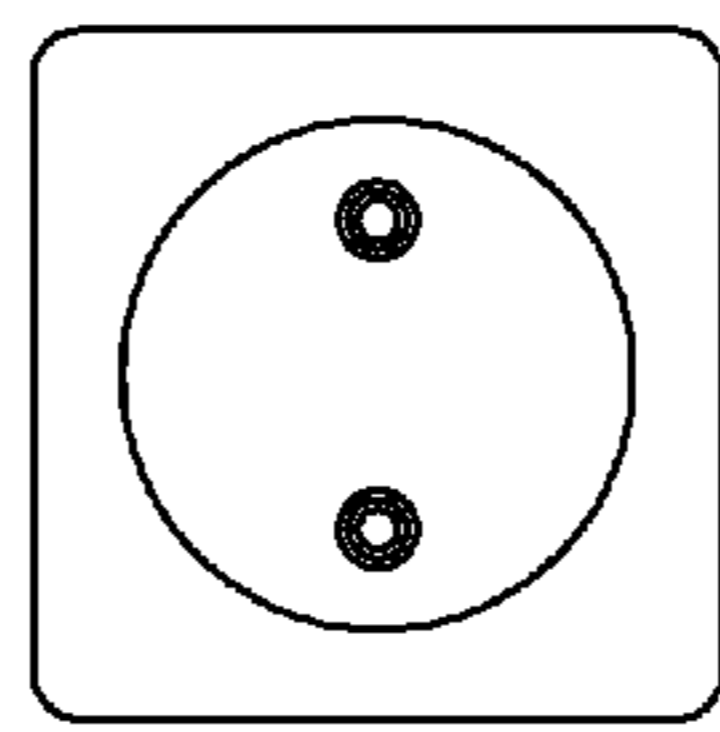


FIG. 1

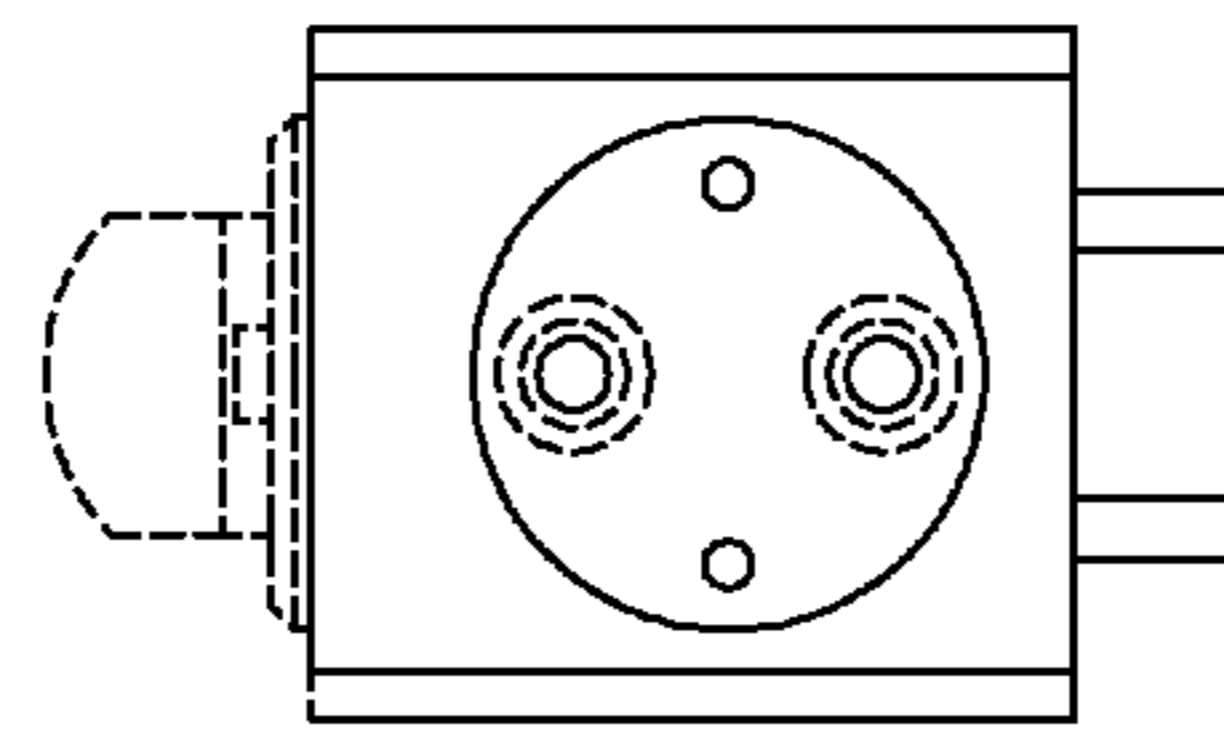


FIG. 4

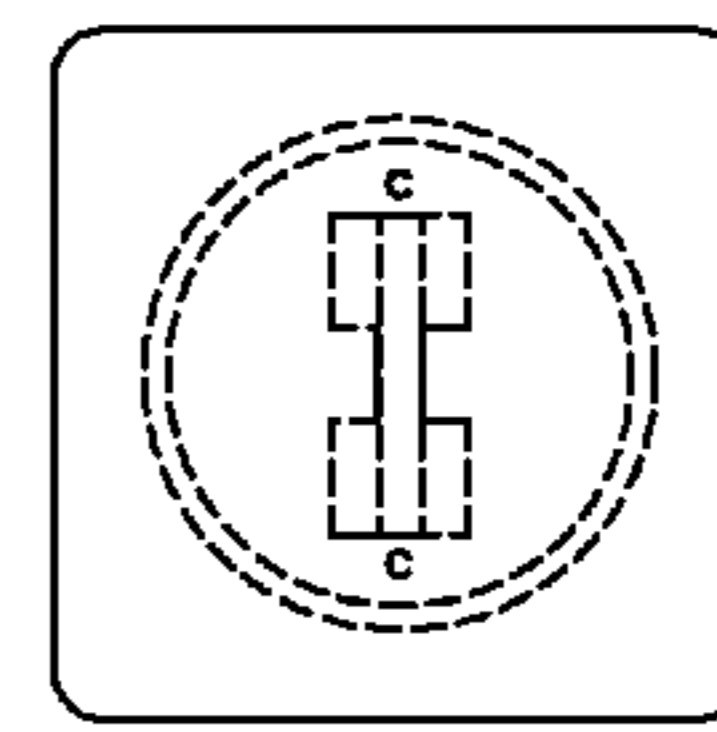


FIG. 2

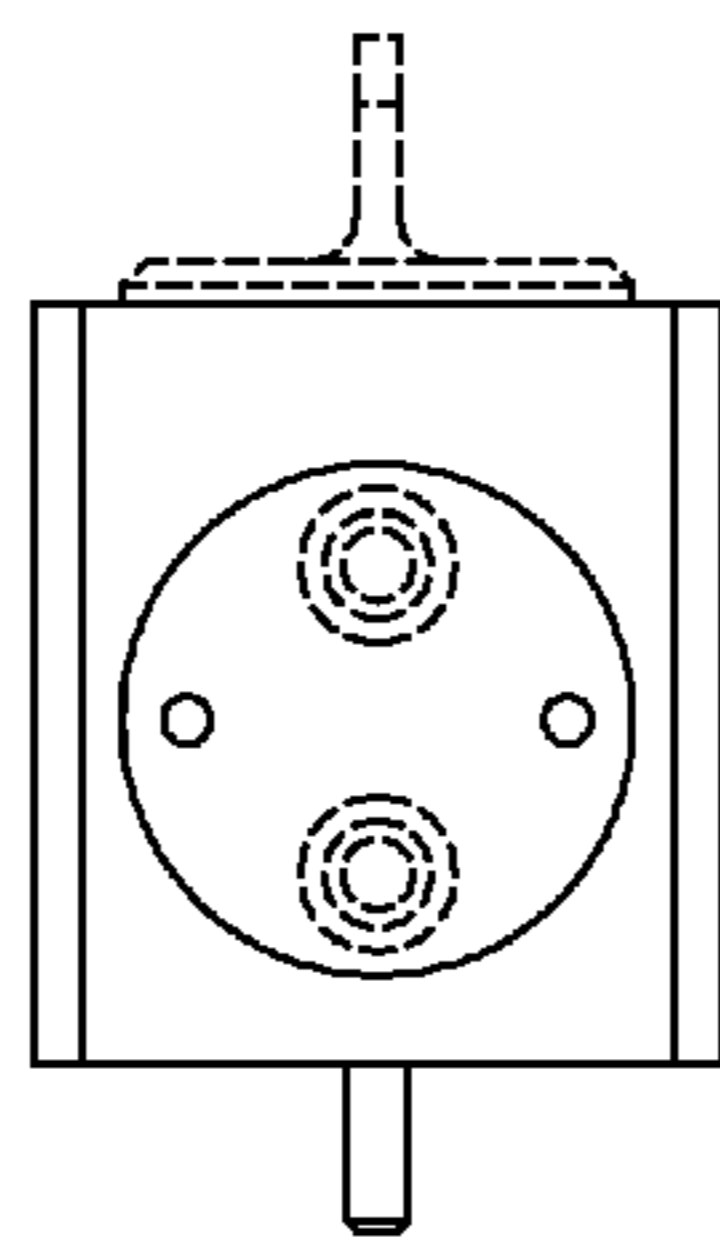


FIG. 6

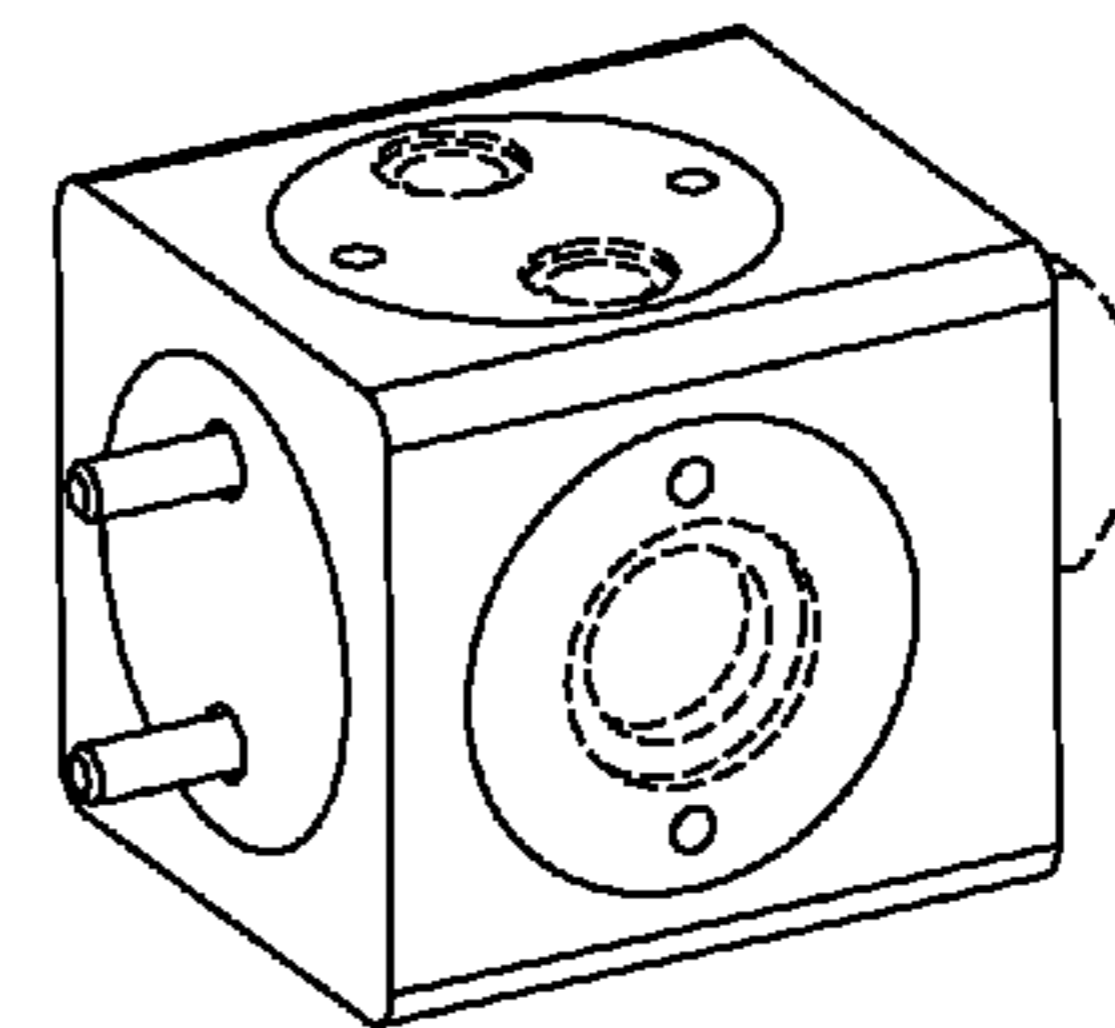


FIG. 7