



US00D755183S

(12) **United States Design Patent**  
**Patel et al.**

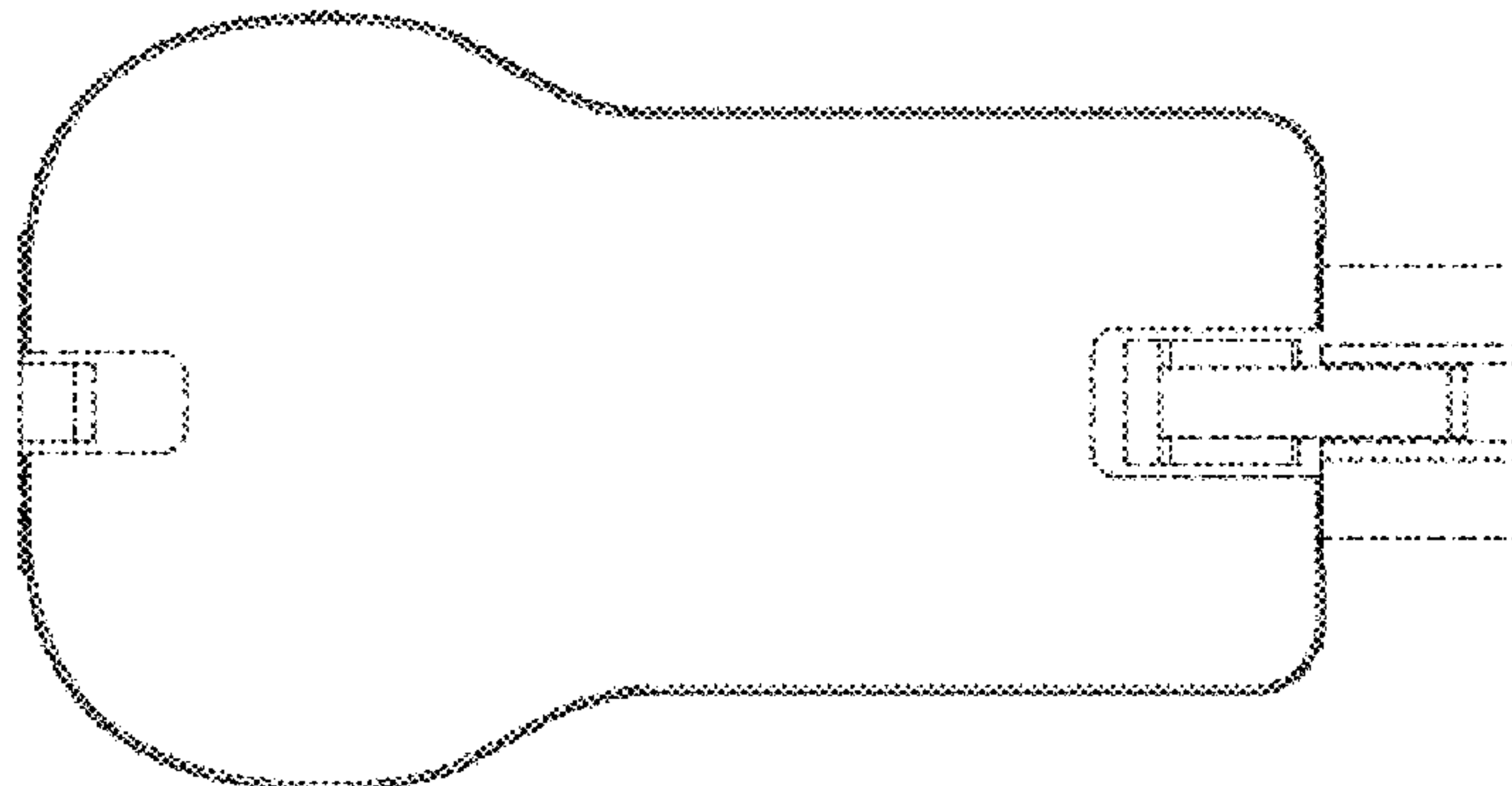
(10) **Patent No.:** **US D755,183 S**  
(45) **Date of Patent:** **\*\* May 3, 2016**

- (54) **IN-LINE DONGLE**
- (71) Applicant: **PayRange, Inc.**, Portland, OR (US)
- (72) Inventors: **Paresh K. Patel**, Portland, OR (US);  
**Nathan Satter**, West Linn, OR (US)
- (73) Assignee: **PAYRANGE, INC.**, Portland, OR (US)
- (\*\*) Term: **14 Years**
- (21) Appl. No.: **29/477,025**
- (22) Filed: **Dec. 18, 2013**
- (51) **LOC (10) Cl.** ..... **14-02**
- (52) **U.S. Cl.**  
USPC ..... **D14/433**
- (58) **Field of Classification Search**  
USPC ..... D14/356, 432-434, 453, 454, 511,  
D14/203.8, 209.1, 238.1, 240, 125;  
439/638, 928, 105, 502; 710/303, 304;  
361/679.41, 679.55, 679.56; D13/110,  
D13/133, 146  
CPC ... G06Q 20/202; G06Q 20/322; G06Q 20/32;  
G06Q 20/20; G06Q 20/327  
See application file for complete search history.

7,848,980	B2	12/2010	Carlson	
D669,899	S	10/2012	Cheng	
8,346,670	B2	1/2013	Hasson et al.	
8,356,754	B2	1/2013	Johnson et al.	
8,376,227	B2	2/2013	Hammad et al.	
8,396,589	B2	3/2013	Katzenstein Garibaldi et al.	
8,412,626	B2	4/2013	Hirson et al.	
8,438,066	B1	5/2013	Yuen	
8,479,190	B2	7/2013	Sueyoshi et al.	
8,489,140	B2	7/2013	Weiner et al.	
8,517,766	B2	8/2013	Golko et al.	
D691,140	S *	10/2013	Huang	D14/433
8,548,426	B2	10/2013	Smith	
8,583,496	B2	11/2013	Yoo et al.	
8,596,528	B2	12/2013	Fernandes et al.	
8,600,899	B1	12/2013	Davis	
8,615,445	B2	12/2013	Dorsey et al.	
8,645,971	B2	2/2014	Carlson et al.	
8,700,530	B2	4/2014	Smith	
8,707,276	B2	4/2014	Hill et al.	
D707,234	S *	6/2014	Tan	D14/480.1
8,769,643	B1	7/2014	Ben Ayed	
8,810,430	B2	8/2014	Proud	
8,819,659	B2	8/2014	Ramer et al.	
8,838,481	B2	9/2014	Moshfeghi	
8,850,421	B2	9/2014	Proud	
8,856,045	B1	10/2014	Patel et al.	
D717,747	S *	11/2014	Nishimoto et al.	D14/125
8,898,620	B2	11/2014	Eizenman et al.	
D721,374	S *	1/2015	Liu	D14/433
9,037,492	B2	5/2015	White	
D730,904	S *	6/2015	Liu	D14/433
2002/0164953	A1	11/2002	Curtis	
2003/0110097	A1	6/2003	Lei	
2003/0158891	A1	8/2003	Lei et al.	
2004/0049454	A1	3/2004	Kanno et al.	
2004/0117262	A1	6/2004	Berger et al.	
2005/0101295	A1	5/2005	Rupp	
2005/0181804	A1	8/2005	Misikangas et al.	
2005/0232421	A1	10/2005	Simons et al.	
2007/0050083	A1	3/2007	Signorelli et al.	
2007/0187491	A1	8/2007	Godwin et al.	
2008/0033880	A1	2/2008	Fiebiger et al.	
2008/0126213	A1	5/2008	Robertson et al.	
2008/0141033	A1	6/2008	Ginter et al.	
2008/0154727	A1	6/2008	Carlson	
2008/0154735	A1	6/2008	Carlson	
2008/0167991	A1	7/2008	Carlson et al.	
2008/0183480	A1	7/2008	Carlson et al.	
2008/0201226	A1	8/2008	Carlson et al.	
2008/0208762	A1	8/2008	Arthur et al.	
2008/0255947	A1	10/2008	Friedman	
2009/0037284	A1	2/2009	Lewis et al.	

(56) **References Cited**  
U.S. PATENT DOCUMENTS

5,844,808	A	12/1998	Konsmo et al.	
5,892,900	A	4/1999	Ginter et al.	
D412,154	S *	7/1999	Lok	D13/147
D416,230	S *	11/1999	Narumo et al.	D13/147
D461,476	S *	8/2002	Evers et al.	D14/433
6,462,644	B1	10/2002	Howell et al.	
D474,154	S *	5/2003	Lai	D13/147
6,584,309	B1	6/2003	Whigham	
6,793,134	B2	9/2004	Clark	
D519,465	S *	4/2006	Sirichai et al.	D13/156
7,085,556	B2	8/2006	Offer	
7,127,236	B2	10/2006	Khan et al.	
D547,761	S *	7/2007	Hui	D14/433
7,455,223	B1	11/2008	Wilson et al.	
7,464,867	B1	12/2008	Kolls	
D601,142	S *	9/2009	Lindley	D14/358
7,721,958	B2	5/2010	Belfer et al.	





2009/0099961	A1	4/2009	Ogilvy
2009/0119190	A1	5/2009	Realini
2009/0171682	A1	7/2009	Dixon et al.
2009/0306818	A1	12/2009	Slagley et al.
2009/0313132	A1	12/2009	McKenna et al.
2009/0327089	A1	12/2009	Kanno et al.
2010/0094456	A1	4/2010	Simpkins et al.
2011/0040686	A1	2/2011	Carlson
2011/0153436	A1	6/2011	Krampe
2011/0153442	A1	6/2011	Krampe
2011/0251910	A1	10/2011	Dimmick
2011/0276636	A1	11/2011	Cheng et al.
2012/0011024	A1	1/2012	Dorsey et al.
2012/0016731	A1	1/2012	Smith et al.
2012/0029691	A1	2/2012	Mockus et al.
2012/0036045	A1	2/2012	Lowe et al.
2012/0078735	A1	3/2012	Bauer et al.
2012/0158172	A1	6/2012	Wencslao
2012/0197740	A1	8/2012	Grigg et al.
2012/0231844	A1	9/2012	Coppinger
2012/0246074	A1	9/2012	Annamalai et al.
2012/0276845	A1	11/2012	Wikander
2012/0290472	A1	11/2012	Mullen et al.
2012/0303528	A1	11/2012	Weiner et al.
2012/0316963	A1	12/2012	Moshfeghi
2013/0030931	A1	1/2013	Moshfeghi
2013/0054395	A1	2/2013	Cyr et al.
2013/0085835	A1	4/2013	Horowitz
2013/0110296	A1	5/2013	Khoo et al.
2013/0117738	A1	5/2013	Livingston et al.
2013/0124289	A1	5/2013	Fisher
2013/0143498	A1	6/2013	Niemi
2013/0166448	A1	6/2013	Narayanan
2013/0185150	A1	7/2013	Crum
2013/0217333	A1	8/2013	Sprigg et al.
2013/0246171	A1	9/2013	Carapelli
2013/0246364	A1	9/2013	Bhavith
2013/0267121	A1	10/2013	Hsu
2013/0267176	A1	10/2013	Hertel et al.
2013/0278622	A1	10/2013	Sun et al.
2013/0297422	A1	11/2013	Hunter et al.
2013/0311379	A1	11/2013	Smith
2013/0311382	A1	11/2013	Fosmark et al.
2013/0332293	A1	12/2013	Ran
2014/0019367	A1	1/2014	Khan et al.
2014/0040028	A1	2/2014	King et al.
2014/0040117	A1	2/2014	Jain
2014/0064116	A1	3/2014	Linde et al.
2014/0074714	A1	3/2014	Melone et al.
2014/0074723	A1	3/2014	Kamat
2014/0100977	A1	4/2014	Davis
2014/0122298	A1	5/2014	Oyer
2014/0136301	A1	5/2014	Valdes
2014/0136411	A1	5/2014	Cho et al.
2014/0180852	A1	6/2014	Kamat
2014/0201066	A1	7/2014	Roux et al.
2014/0249995	A1	9/2014	Ogilvy
2014/0279101	A1	9/2014	Duplan et al.
2014/0317611	A1	10/2014	Wojcik et al.
2014/0361872	A1	12/2014	Garcia et al.
2014/0378057	A1	12/2014	Ramon et al.
2015/0073980	A1	3/2015	Griffin et al.
2015/0081462	A1	3/2015	Ozvat et al.
2015/0105901	A1	4/2015	Joshi et al.
2015/0149992	A1	5/2015	Wade et al.
2015/0154579	A1	6/2015	Teicher

FOREIGN PATENT DOCUMENTS

WO	WO2008/083022	A1	7/2008
WO	WO2008/083025	A2	7/2008
WO	WO2008/083078	A2	7/2008
WO	WO2008/083089	A1	7/2008
WO	WO2008/083105	A2	7/2008
WO	WO2008/083115	A1	7/2008
WO	WO2008/083119	A1	7/2008
WO	WO2013/132995	A1	9/2013
WO	WO2013/177416	A2	11/2013

OTHER PUBLICATIONS

Kadambi, Near-Field Communication-based Secure Mobile Payment Service, Aug. 2009, 10 pgs.  
 Patel, Final Office Action U.S. Appl. No. 14/321,717, dated Jun. 18, 2015, 22 pgs.  
 Patel, Final Office Action U.S. Appl. No. 14/458,199, dated Jun. 24, 2015, 8 pgs.  
 Balan et al., mFerio: the design and evaluation of a peer-to-peer mobile payment system, Jun. 2009, 14 pgs.  
 Balfe et al., e-EMV: emulating EMV for internet payments with trusted computing Technologies, Oct. 2008, 12 pgs.  
 Patel, Notice of Allowance, U.S. Appl. No. 14/321,733, dated Feb. 27, 2015, 9 pgs.  
 Patel, Office Action U.S. Appl. No. 14/456,192, dated Jan. 30, 2015, 24 pgs.  
 Patel, Office Action U.S. Appl. No. 14/321,724, dated May 15, 2015, 19 pgs.  
 Patel, Office Action U.S. Appl. No. 14/641,236, dated May 29, 2015, 10 pgs.  
 Patel, Office Action U.S. Appl. No. 14/614,336, dated May 27, 2015, 17 pgs.  
 PayRange, Inc., International Search Report and Written Opinion, PCT/US2014/071284, Mar. 25, 2015, 9 pgs.  
 Bing, Bing Images Search: “dongle”, <http://www.bing.com/images/search?q=dongle&FORM+HDRSC2>, Dec. 5, 2013, 2 pgs.  
 Google, Chromecast, <http://www.google.com/intl/devices/chromecast/>, Dec. 12, 2013, 4 pgs.  
 Madlmayr et al., “Near Field Communication Based Mobile Payment System,” Austrian Research Funding Agency, Project 811408, Mar. 6, 2008, 13 pgs.  
 Patel, Office Action U.S. Appl. No. 14/321,733, dated Aug. 21, 2014, 9 pgs.  
 Patel, Office Action U.S. Appl. No. 14/320,534, dated Oct. 29, 2014, 18 pgs.  
 Patel, Final Office Action U.S. Appl. No. 14/321,733, dated Nov. 14, 2014, 11 pgs.  
 Patel, Office Action U.S. Appl. No. 14/335,762, dated Dec. 10, 2014, 7 pgs.  
 Patel, Office Action U.S. Appl. No. 14/321,717, dated Dec. 19, 2014, 16 pgs.  
 Patel, Office Action U.S. Appl. No. 14/456,683, dated Jan. 2, 2015, 10 pgs.  
 Patel, Office Action U.S. Appl. No. 14/458,199, dated Jan. 5, 2015, 7 pgs.  
 U.S. Appl. No. 60/871,898, Value Based Offers, inventor Mark Carlson, filed Dec. 26, 2006. US Patent and Trademark Office, 169 pgs.  
 Bing, Bing Images Search: “dongle”, <http://www.bing.com/images/search?q=dongle&FORM=HDRSC2>, 8 pages, Dec. 5, 2013.  
 Google, Chromecast, <http://www.google.com/intl/en/chrome/devices/chromecast/>, 4 pages, Dec. 12, 2013.  
 Patel, Office Action U.S. Appl. No. 14/320,534, dated Apr. 16, 2015, 21 pgs.  
 Patel, Final Office Action U.S. Appl. No. 14/456,683, dated Jun. 8, 2015, 14 pgs.  
 Patel, Office Action U.S. Appl. No. 14/335,762, dated Sep. 18, 2015, 23 pgs.  
 Patel, Notice of Allowance, U.S. Appl. No. 14/456,683, dated Oct. 8, 2015, 15 pgs.  
 Patel, Final Office Action U.S. Appl. No. 14/458,192, dated Sep. 16, 2015, 26 pgs.  
 Patel, Final Office Action U.S. Appl. No. 14/321,724, dated Oct. 8, 2015, 19 pgs.

\* cited by examiner

Primary Examiner — Austin Murphy  
 (74) Attorney, Agent, or Firm — Morgan, Lewis & Bockius LLP



(57)

**CLAIM**

We claim the ornamental design for an in-line dongle, as shown and described.

**DESCRIPTION**

FIG. 1 is a perspective view of the exemplary second preferred in-line dongle.

FIG. 2 is a front plan view of the in-line dongle of FIG. 1.

FIG. 3 is a back plan view of the in-line dongle of FIG. 1.

FIG. 4 is a first side view of the in-line dongle of FIG. 1, the second side being a mirror image of that shown.

FIG. 5 is a first end view of a connector receptacle of the in-line dongle of FIG. 1.

FIG. 6 is a second end view of a connector receptacle of the in-line dongle of FIG. 1.

FIG. 7 is a perspective view taken from the first end of the in-line dongle of FIG. 1, the connectors and cables between which the in-line dongle is inserted being shown in broken lines for environmental purposes.

FIG. 8 is a perspective view taken from the second end of the in-line dongle of FIG. 1, the connectors and cables between which the in-line dongle is inserted being shown in broken lines for environmental purposes.

FIG. 9 is a perspective view of the in-line dongle of FIG. 1 within a vending machine.

FIG. 10 is a perspective view of the exemplary third preferred in-line dongle with a gap indicating the in-line dongle can be of any length.

FIG. 11 is a front plan view of the in-line dongle of FIG. 10.

FIG. 12 is a back plan view of the in-line dongle of FIG. 10.

FIG. 13 is a first side view of the in-line dongle of FIG. 10, the second side being a mirror image of that shown.

FIG. 14 is a first end view of a connector receptacle of the in-line dongle of FIG. 10.

FIG. 15 is a second end view of a connector receptacle of the in-line dongle of FIG. 10.

FIG. 16 is a perspective view taken from the first end of the in-line dongle of FIG. 10, the connectors and cables between which the in-line dongle is inserted being shown in broken lines for environmental purposes.

FIG. 17 is a perspective view taken from the second end of the in-line dongle of FIG. 10, the connectors and cables between which the in-line dongle is inserted being shown in broken lines for environmental purposes.

FIG. 18 is a perspective view of the in-line dongle of FIG. 10 within a vending machine.

FIG. 19 is a perspective view of the exemplary fourth preferred in-line dongle with two vertical gaps indicating the in-line dongle can be of any width.

FIG. 20 is a front plan view of the in-line dongle of FIG. 19.

FIG. 21 is a back plan view of the in-line dongle of FIG. 19.

FIG. 22 is a first side view of the in-line dongle of FIG. 19, the second side being a mirror image of that shown.

FIG. 23 is a first end view of a connector receptacle of the in-line dongle of FIG. 19.

FIG. 24 is a second end view of a connector receptacle of the in-line dongle of FIG. 19.

FIG. 25 is a perspective view taken from the first end of the in-line dongle of FIG. 19, the connectors and cables between which the in-line dongle is inserted being shown in broken lines for environmental purposes.

FIG. 26 is a perspective view taken from the second end of the in-line dongle of FIG. 19, the connectors and cables between which the in-line dongle is inserted being shown in broken lines for environmental purposes; and,

FIG. 27 is a perspective view of the in-line dongle of FIG. 19 within a vending machine.

The broken line depictions such as those of the connectors, cables, vending machine, and portions of the in-line dongle are included for environmental purposes and form no part of the claimed design.

The gaps shown in phantom are meant to indicate that the in-line dongle may be of any length and/or width as indicated.

**1 Claim, 18 Drawing Sheets**

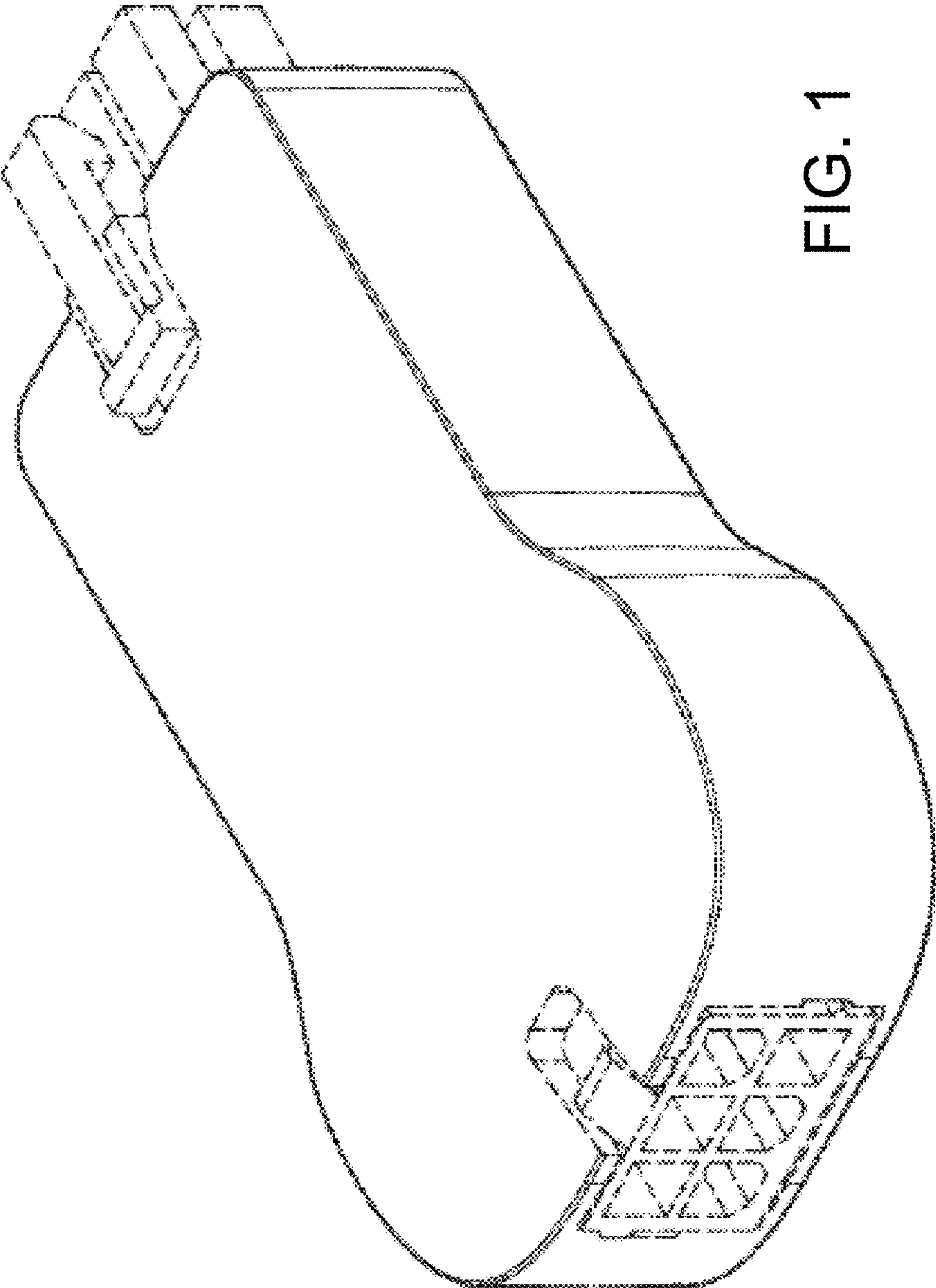
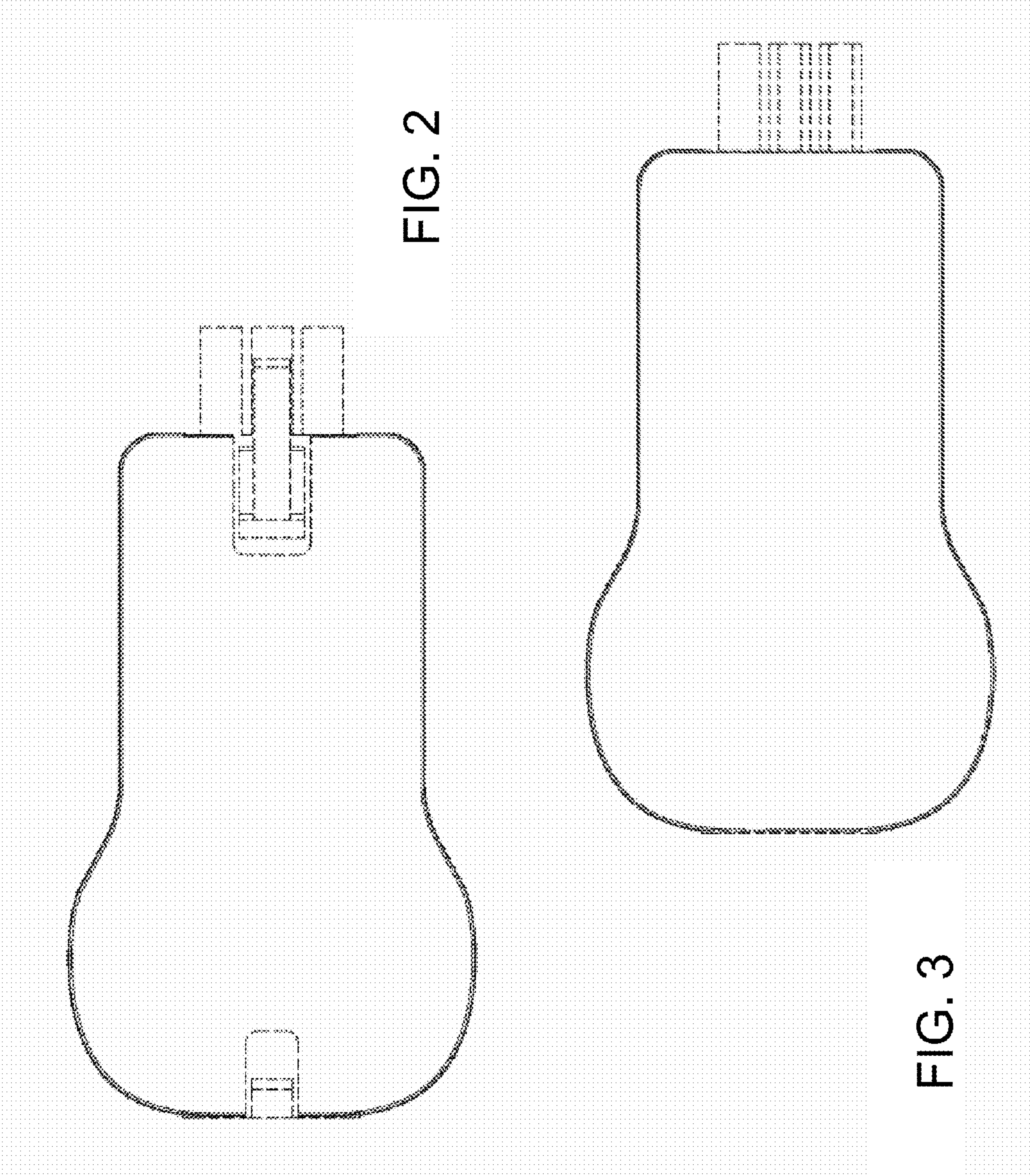


FIG. 1





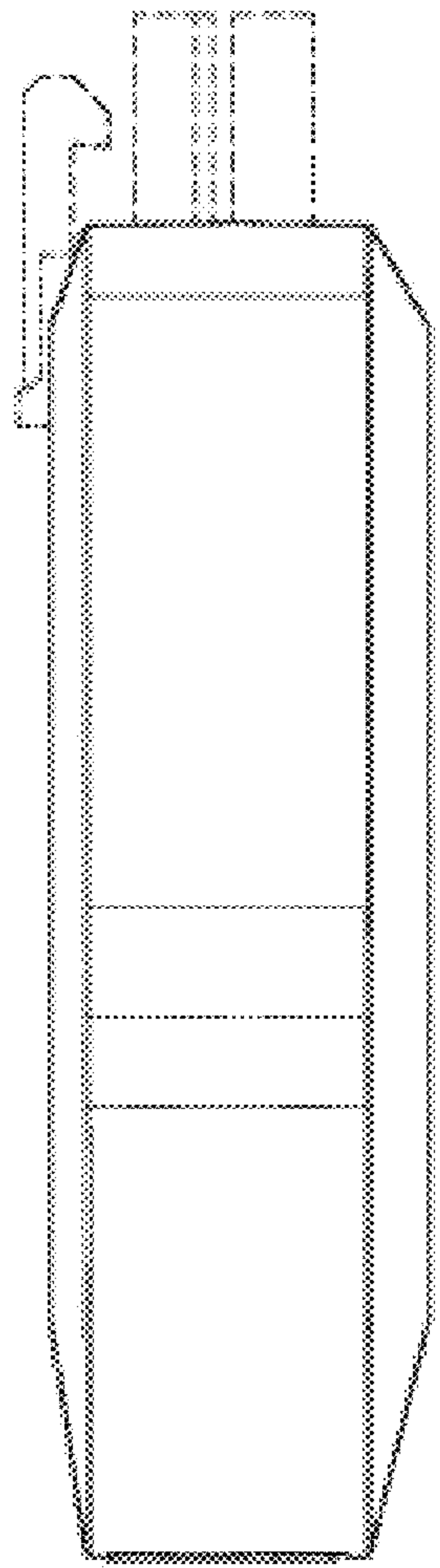


FIG. 4

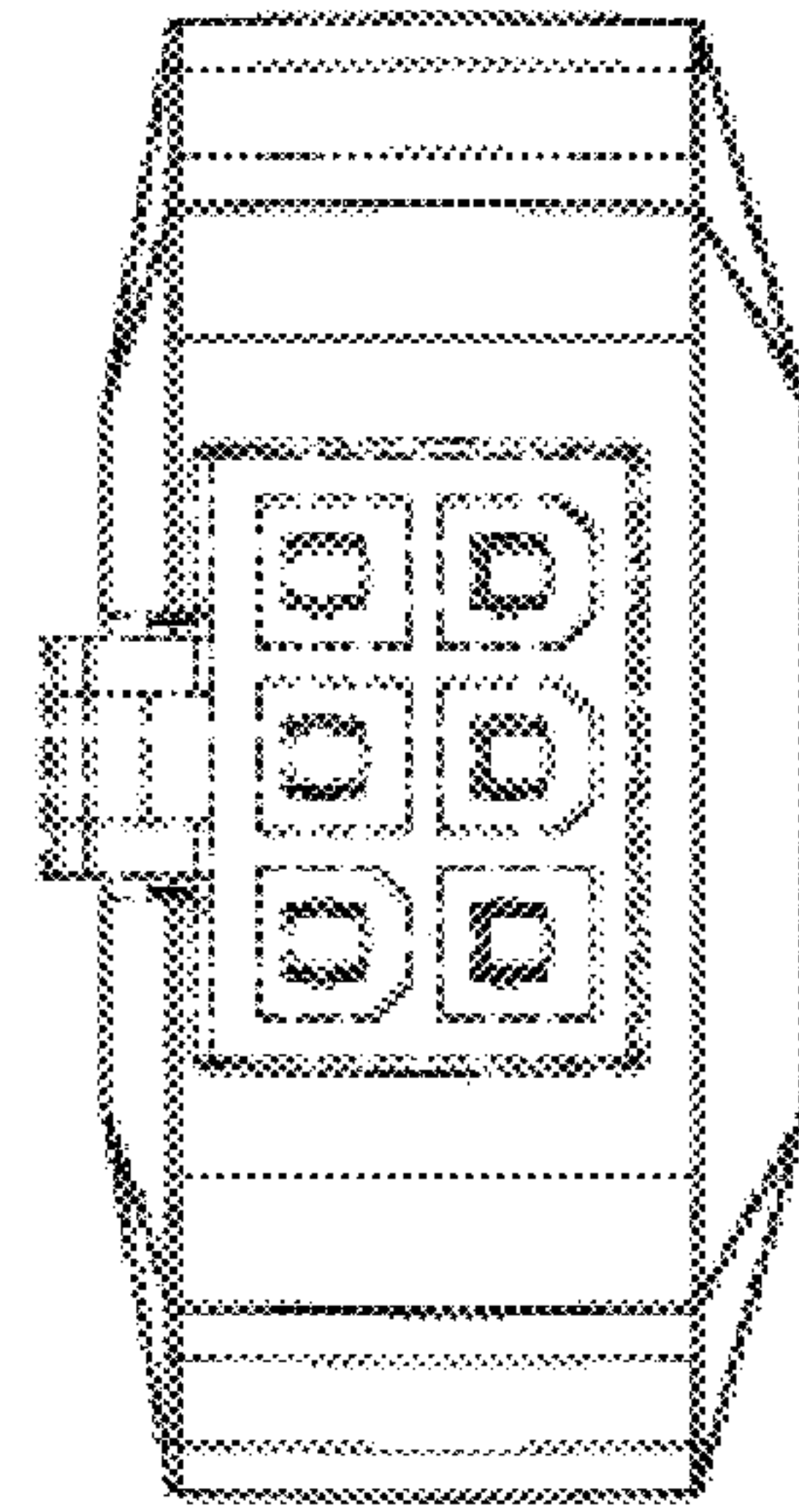


FIG. 6

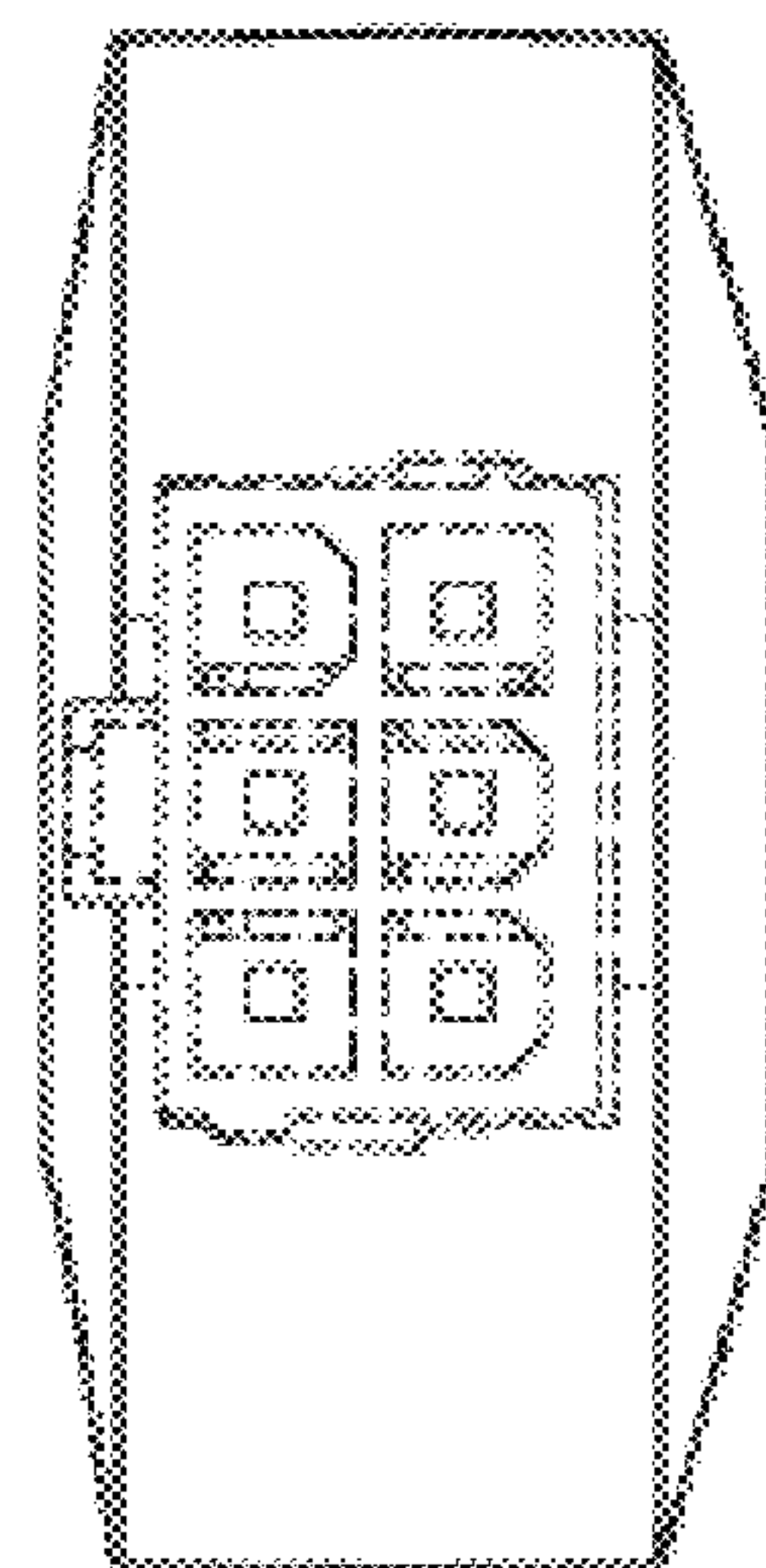


FIG. 5

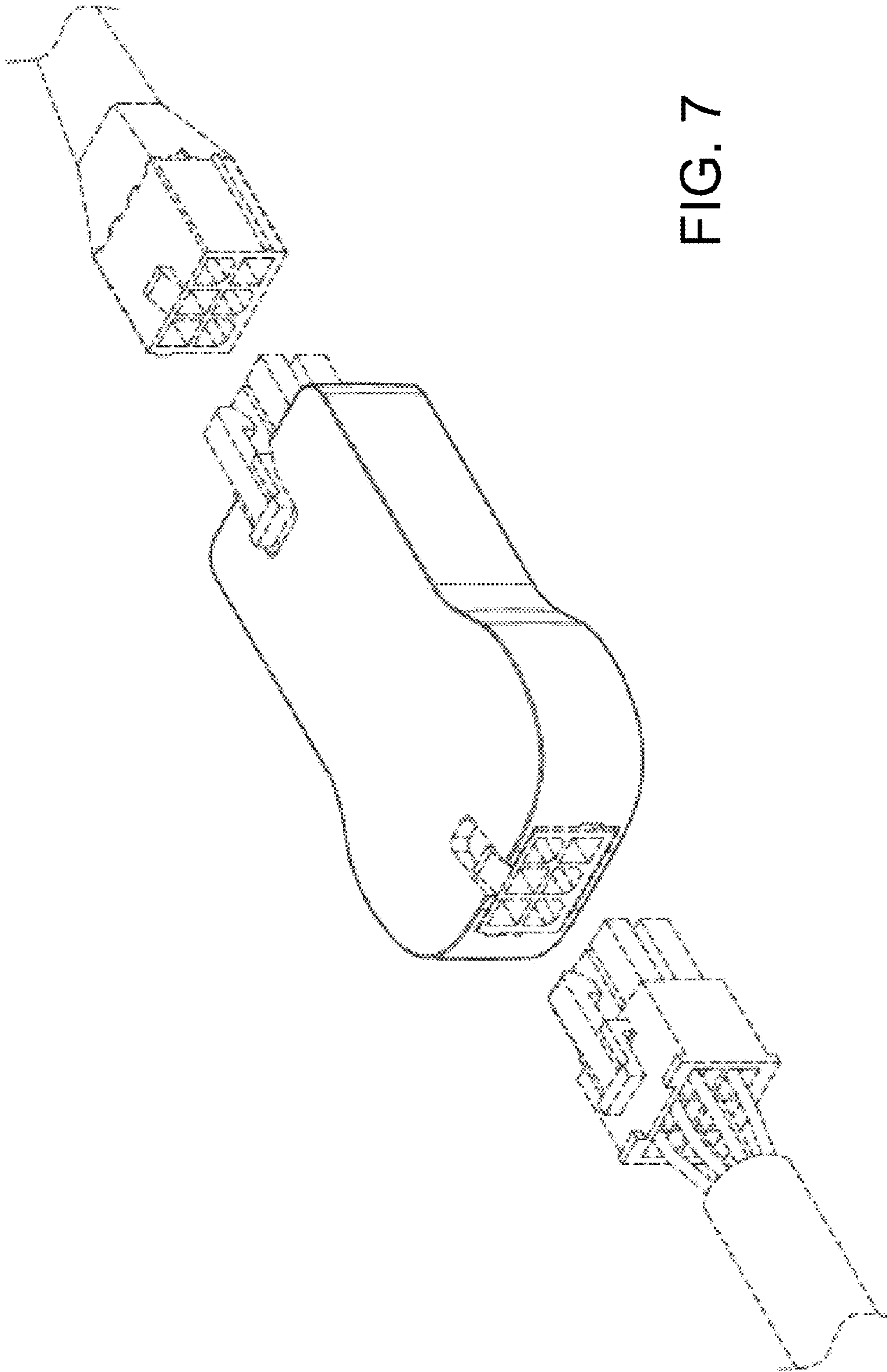


FIG. 7

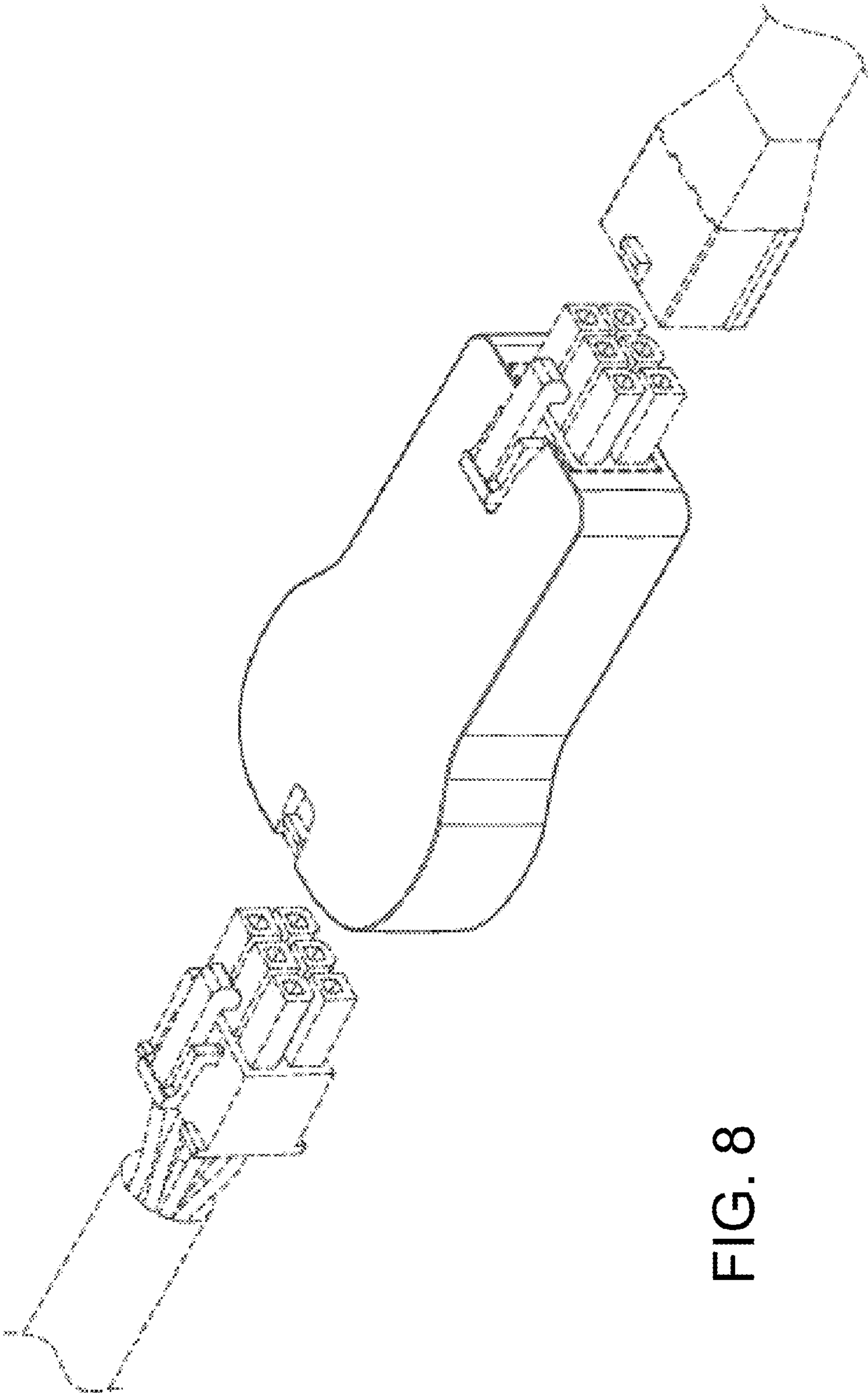


FIG. 8



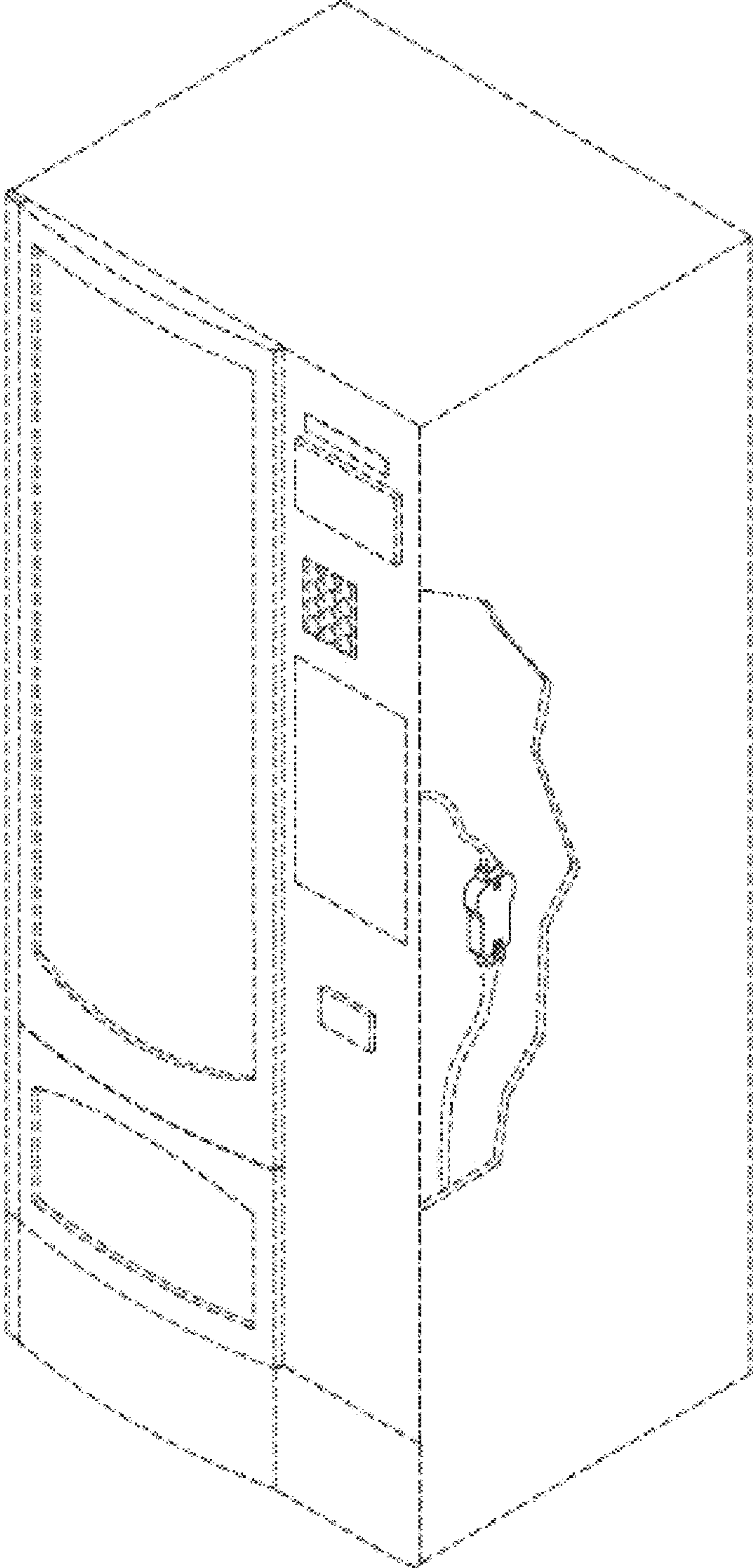


FIG. 9

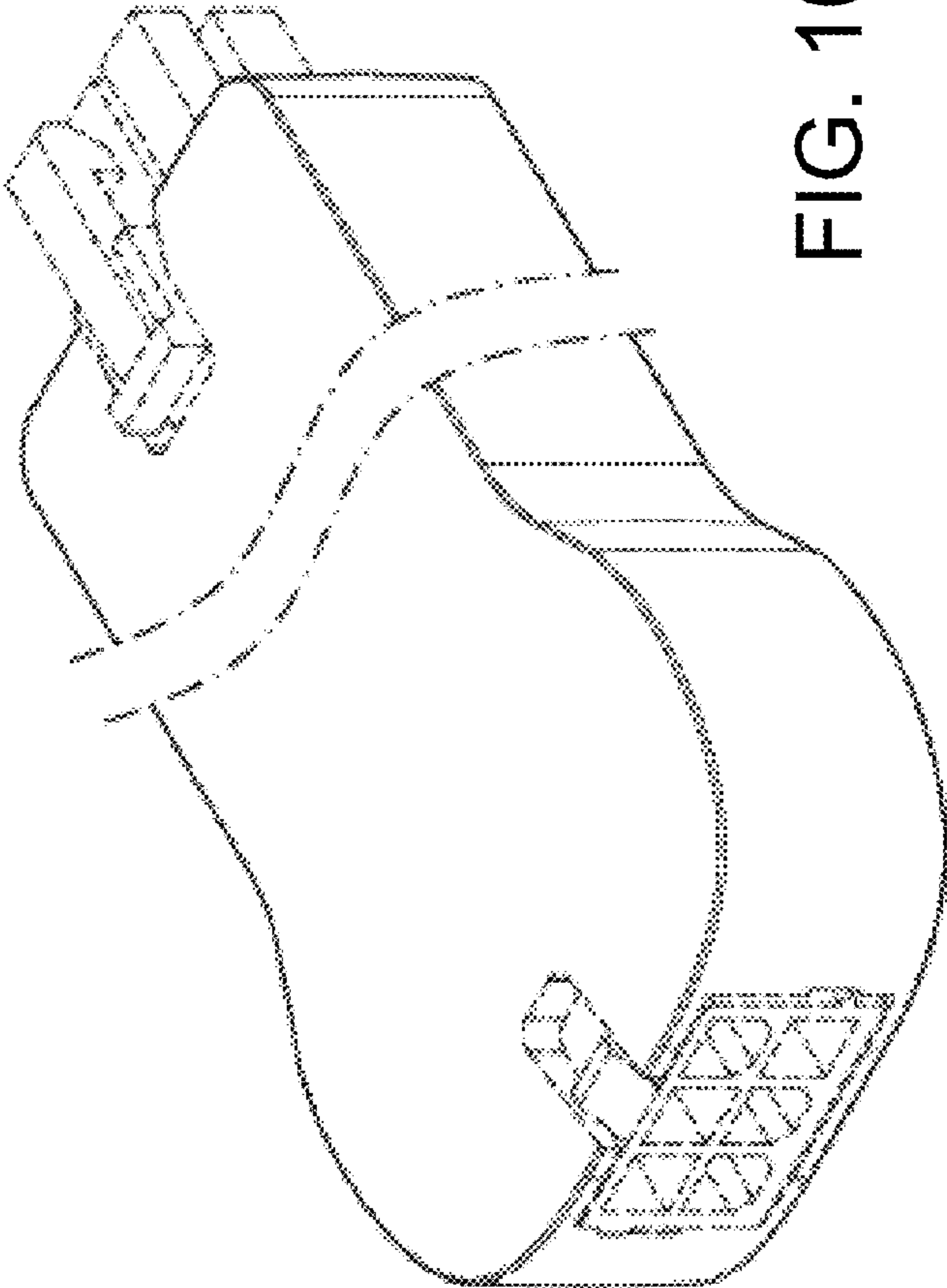


FIG. 10

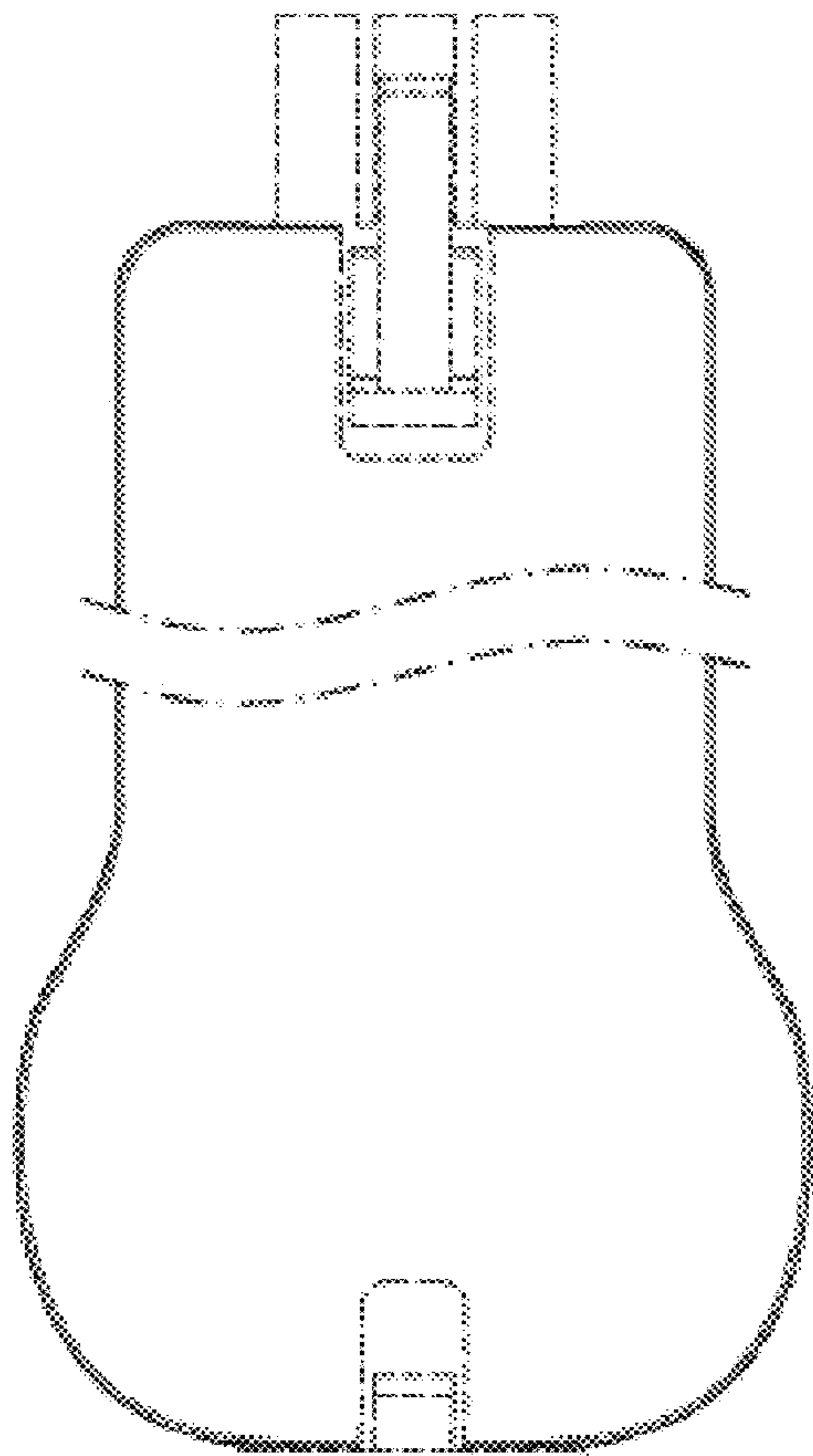


FIG. 11

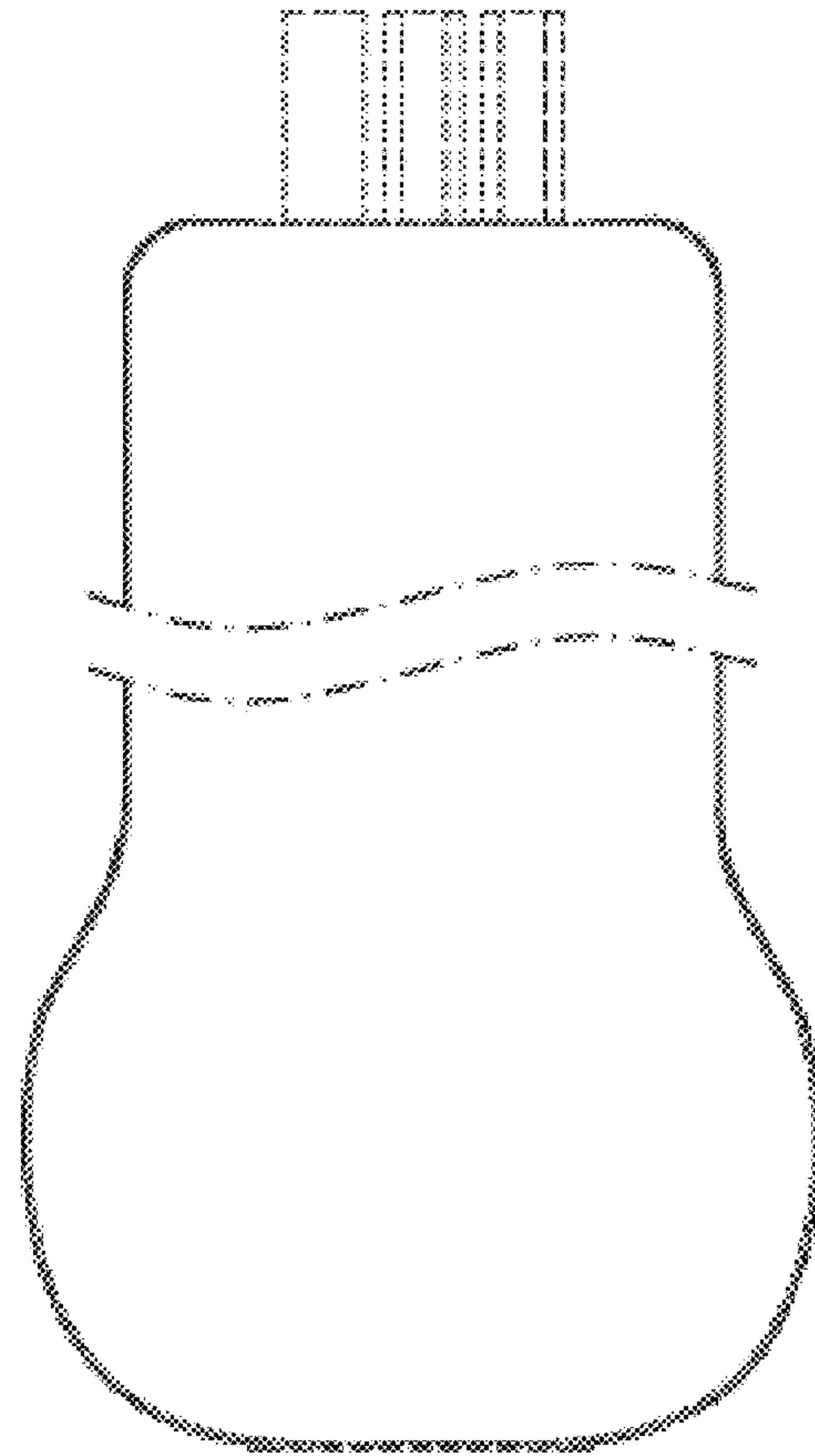


FIG. 12



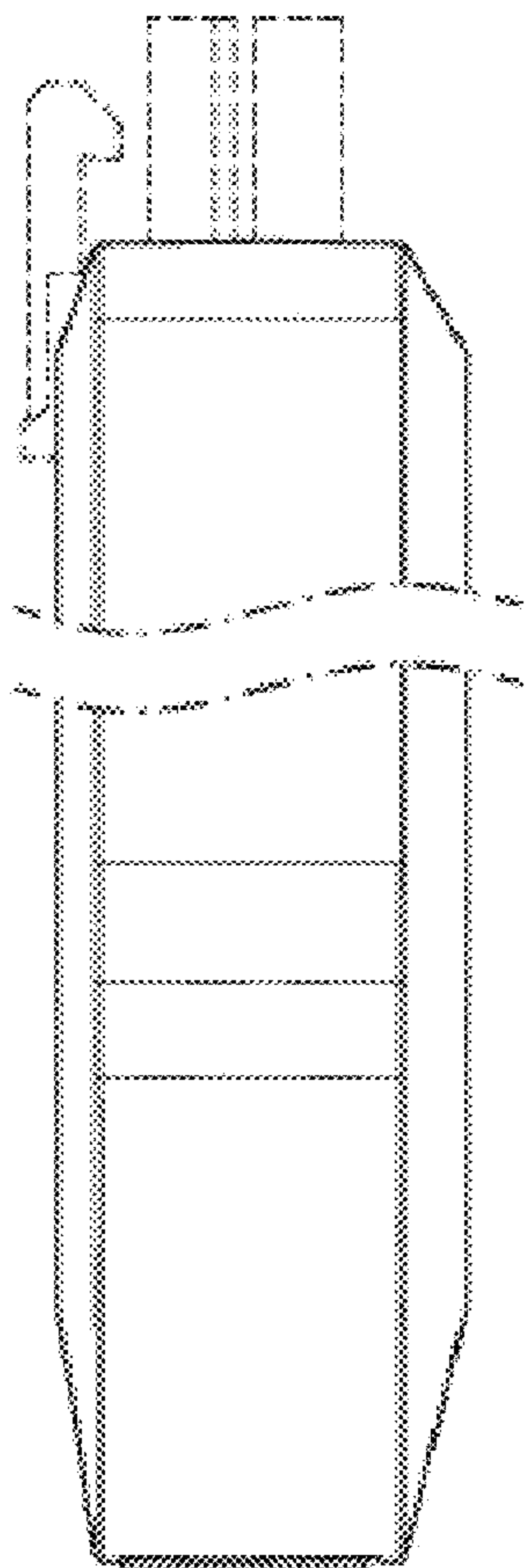


FIG. 13

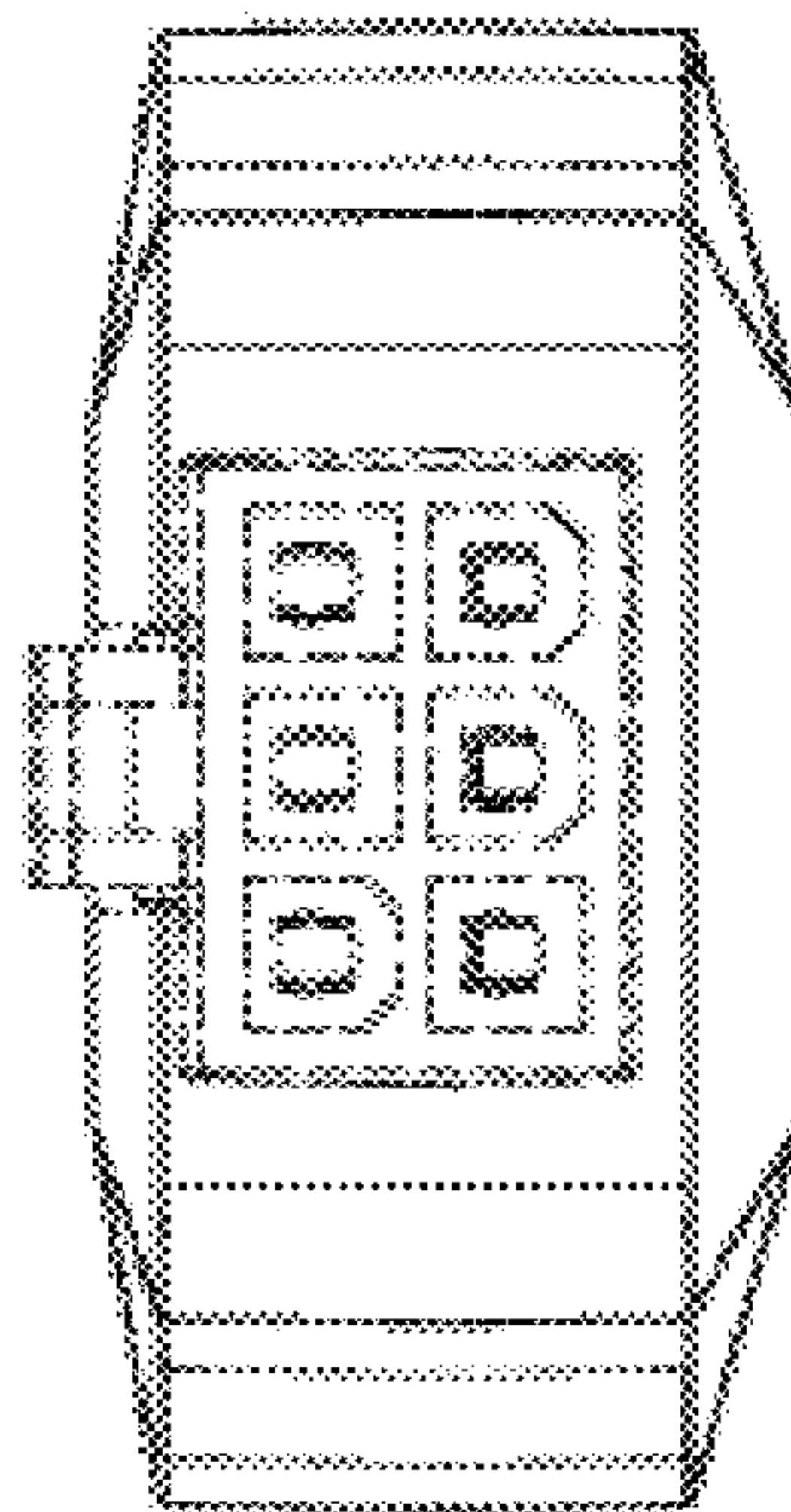


FIG. 15

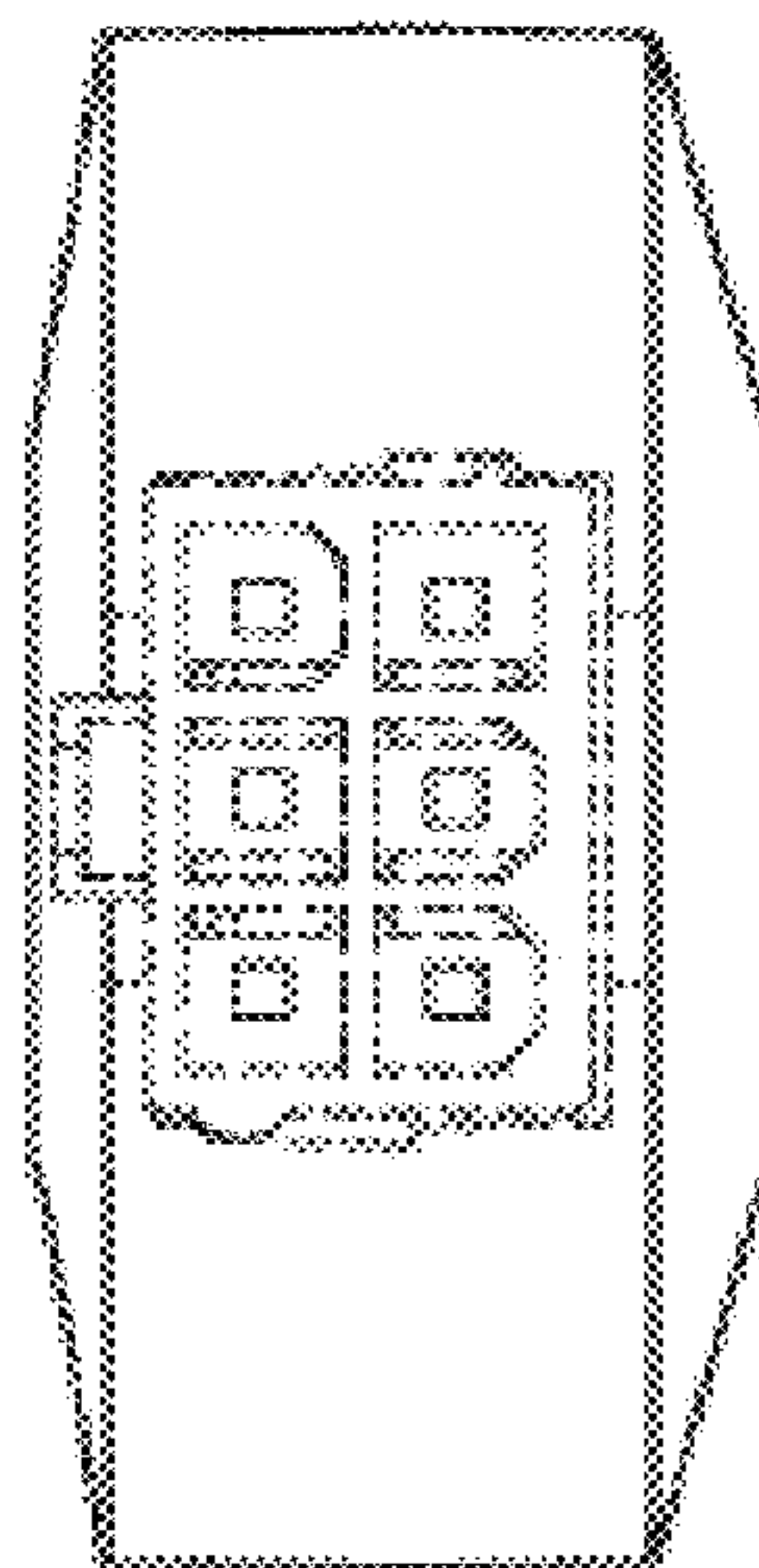


FIG. 14

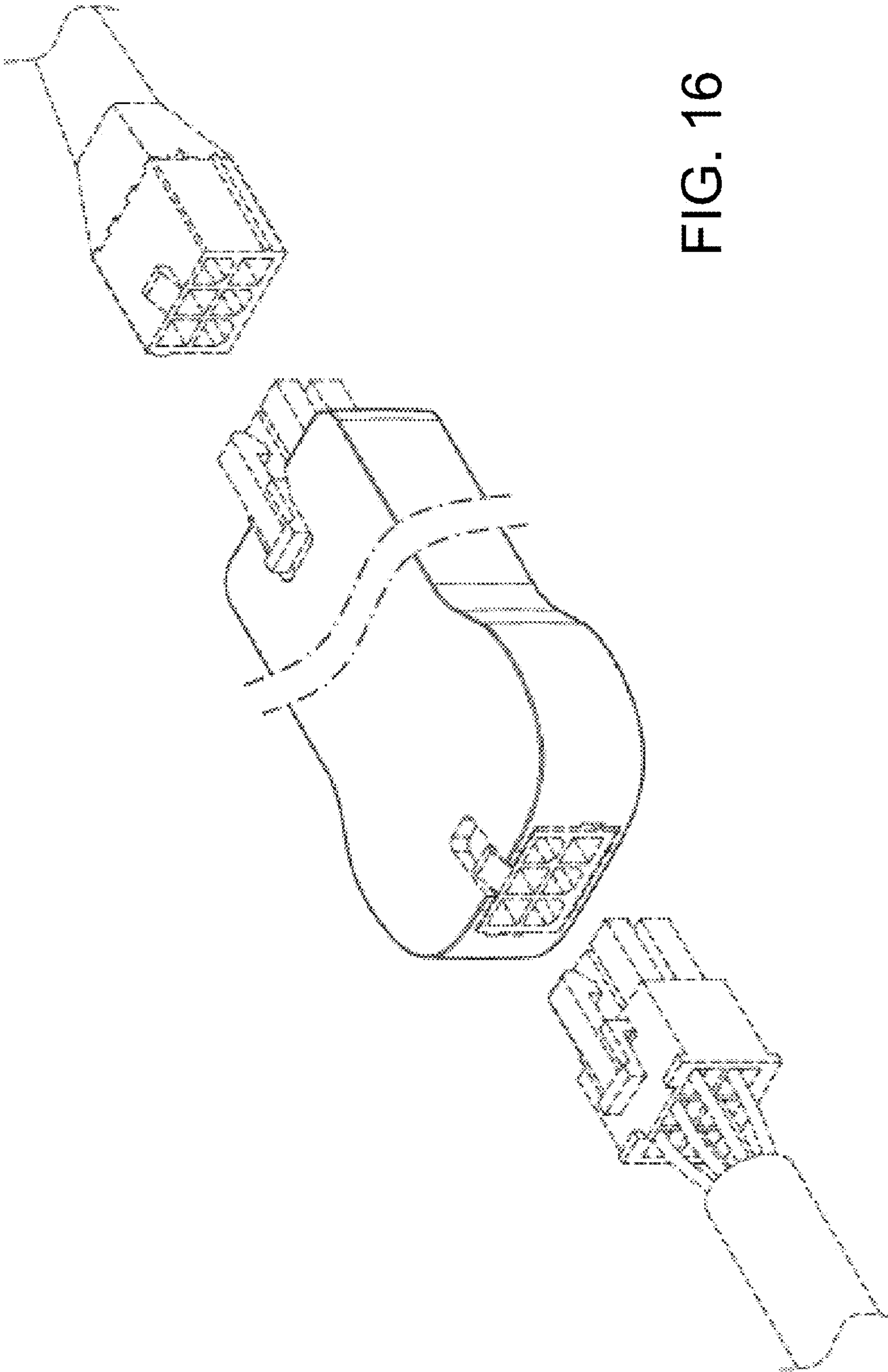


FIG. 16

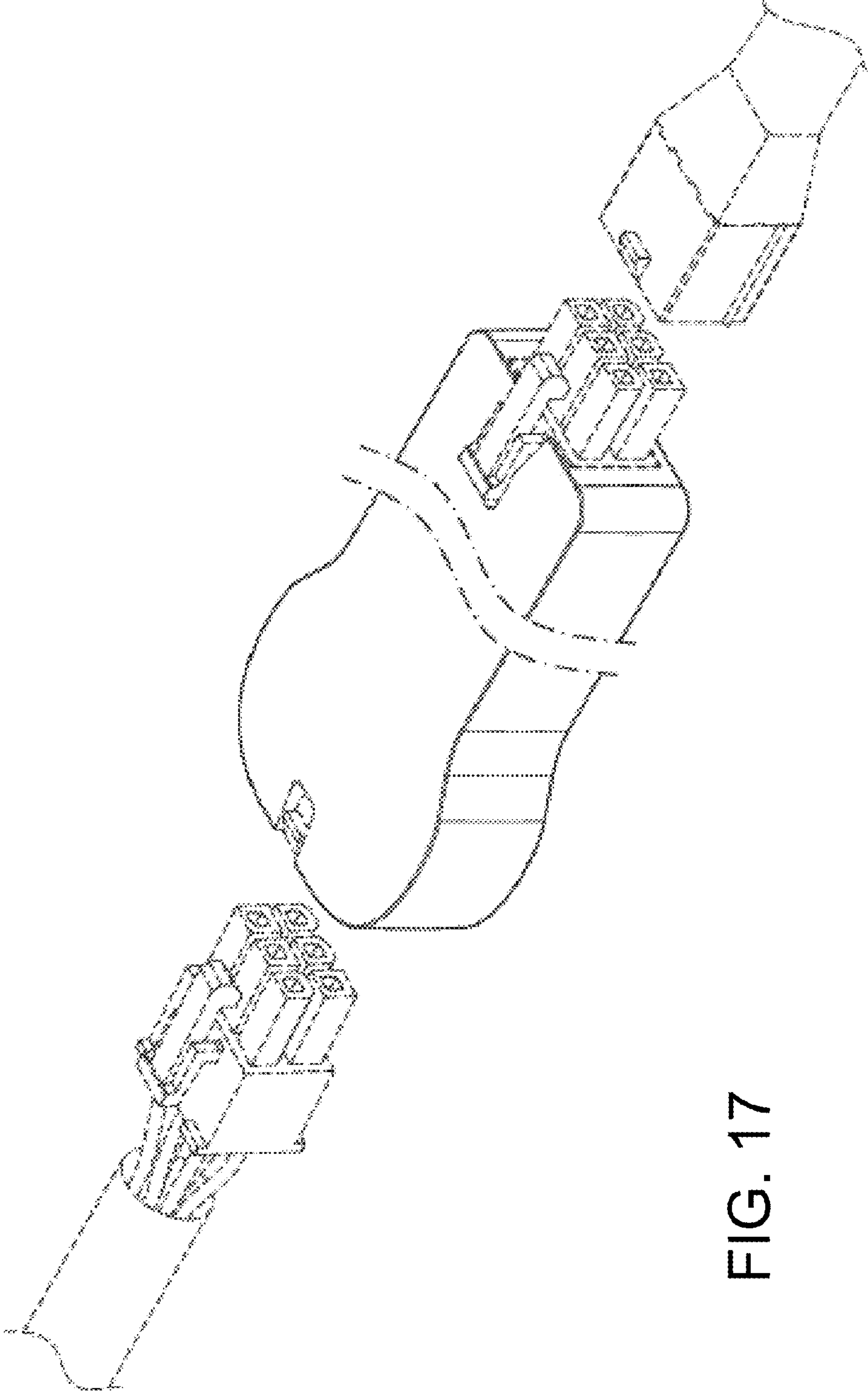


FIG. 17



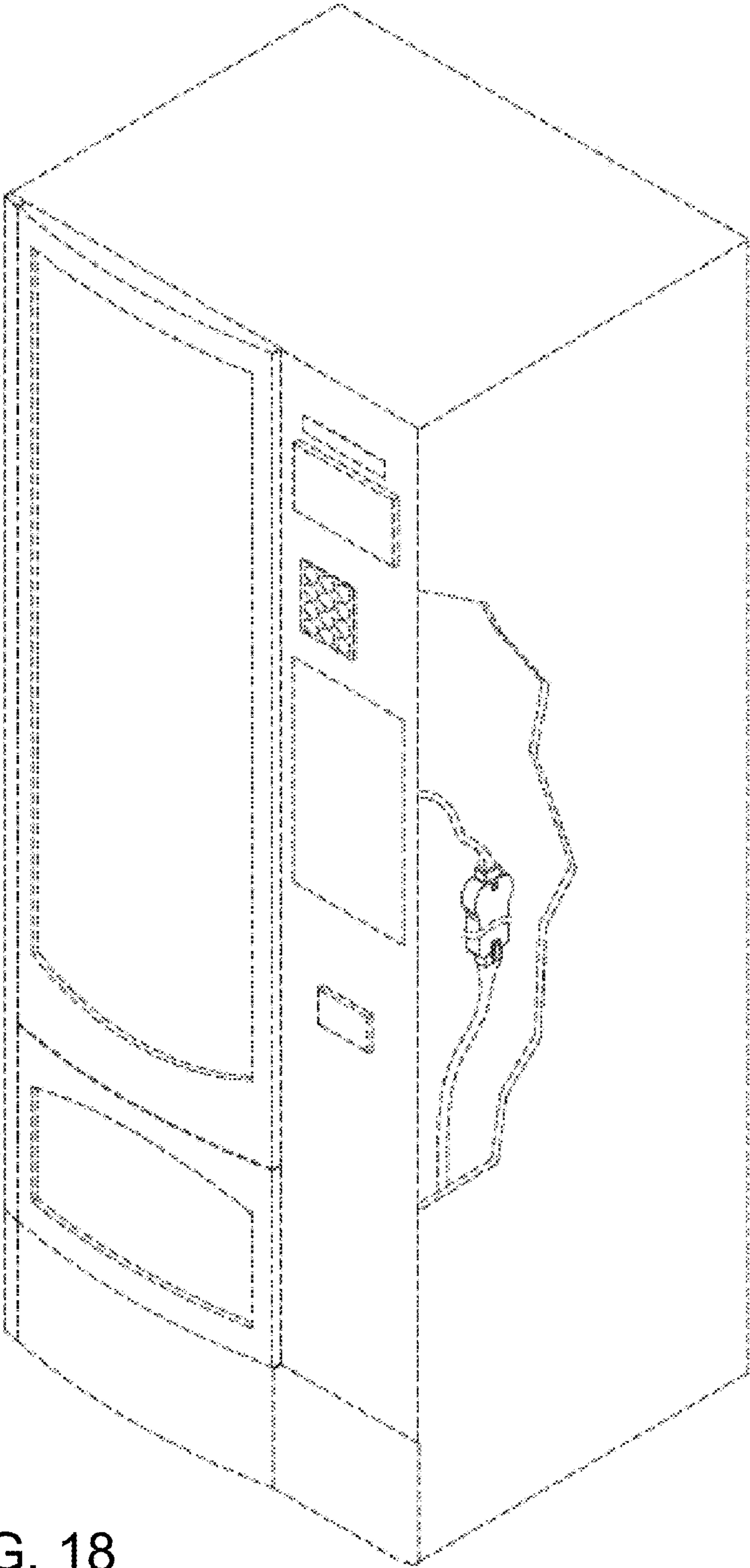


FIG. 18

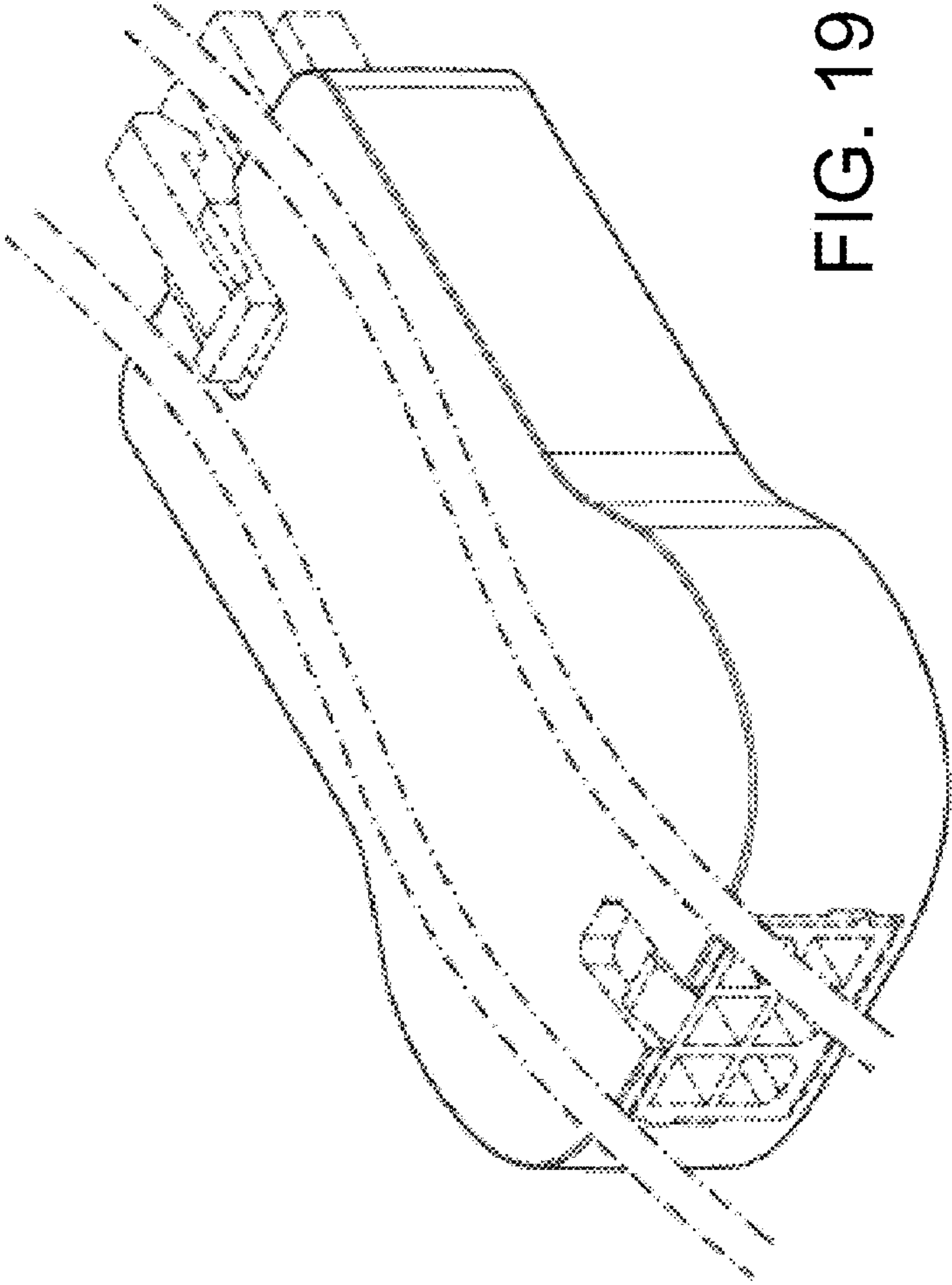


FIG. 19

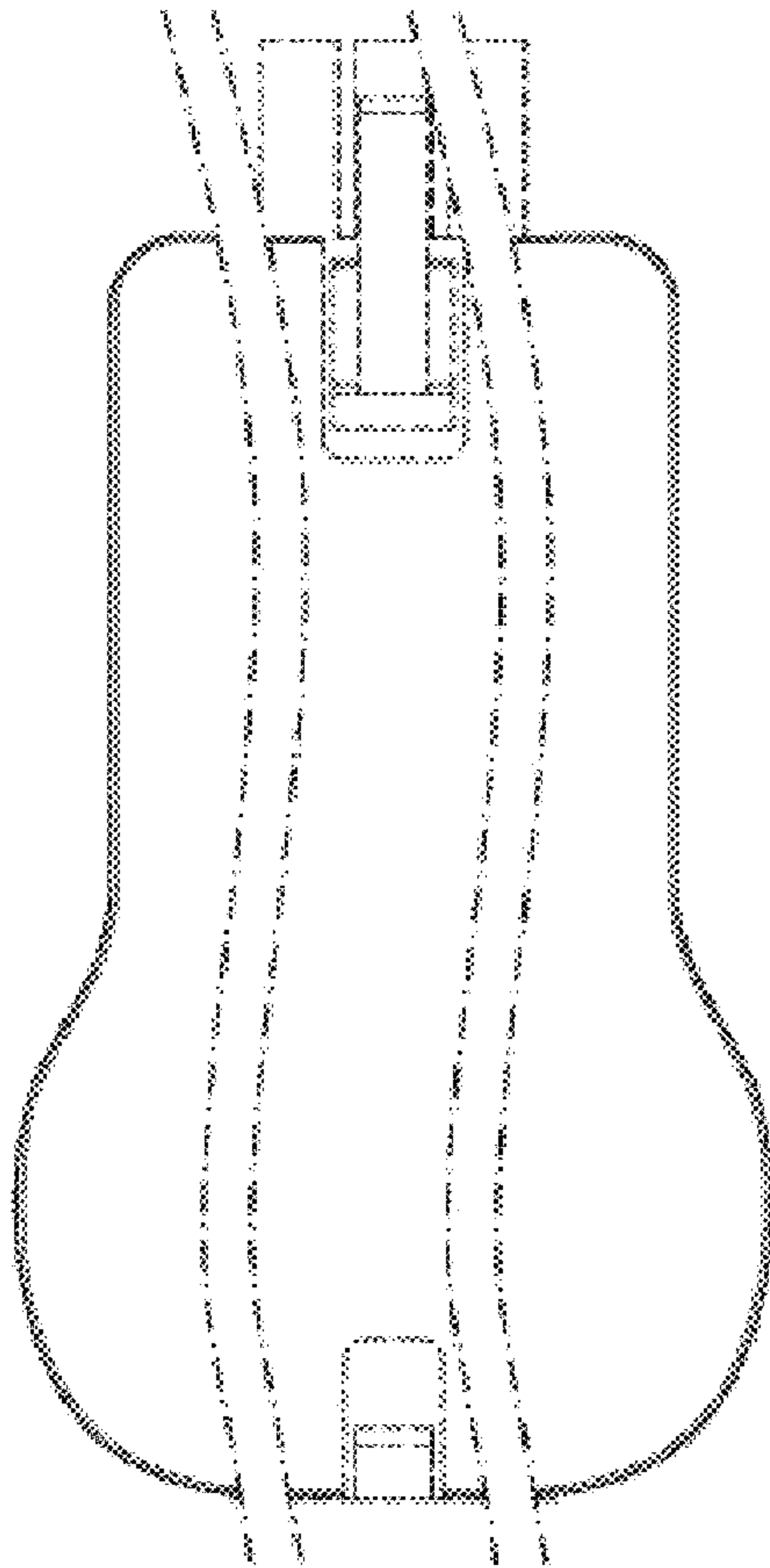


FIG. 20

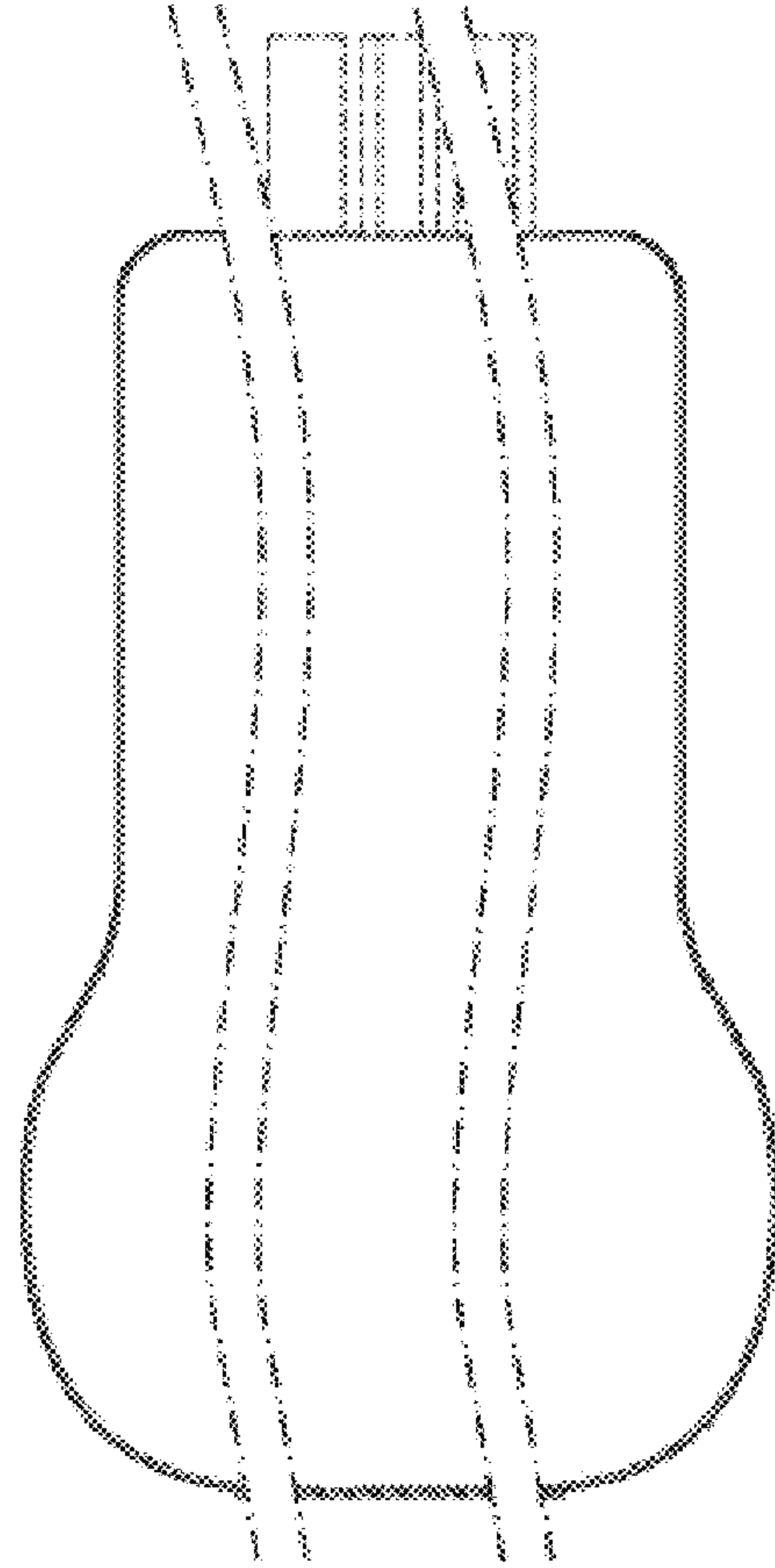


FIG. 21



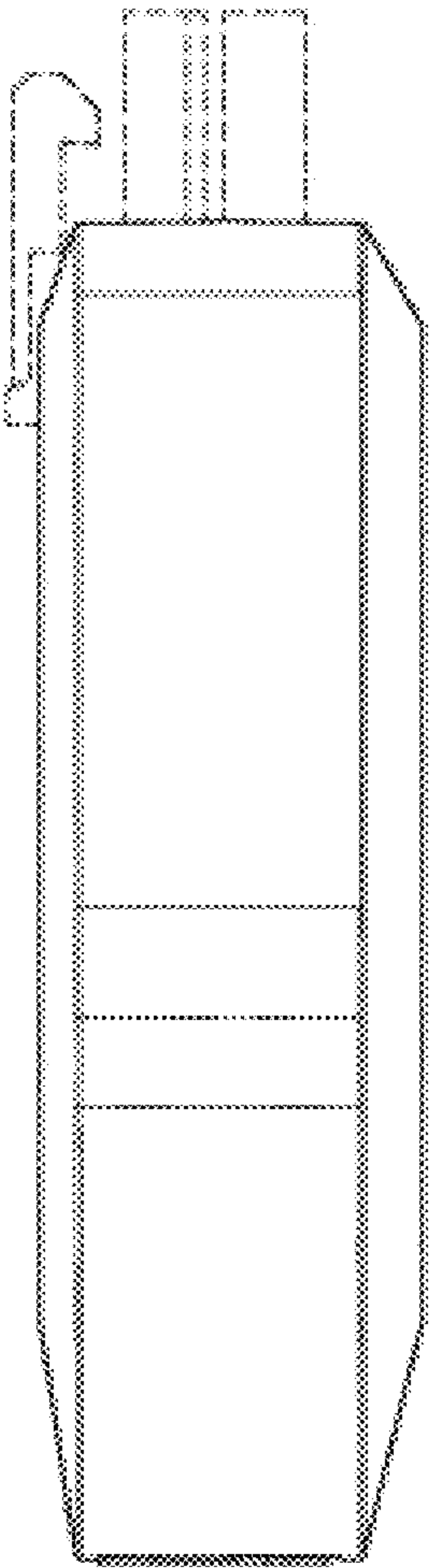


FIG. 22

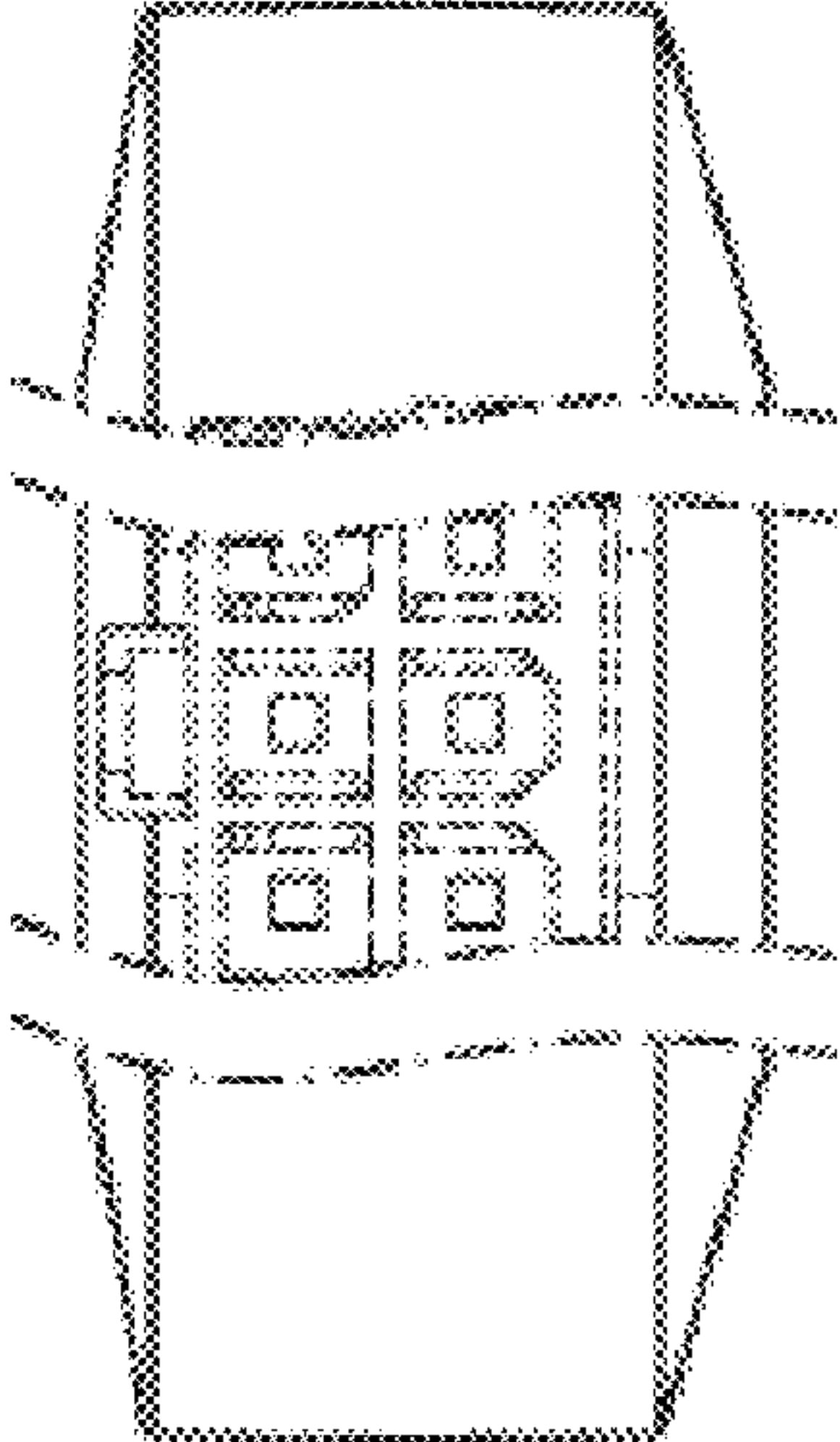


FIG. 23

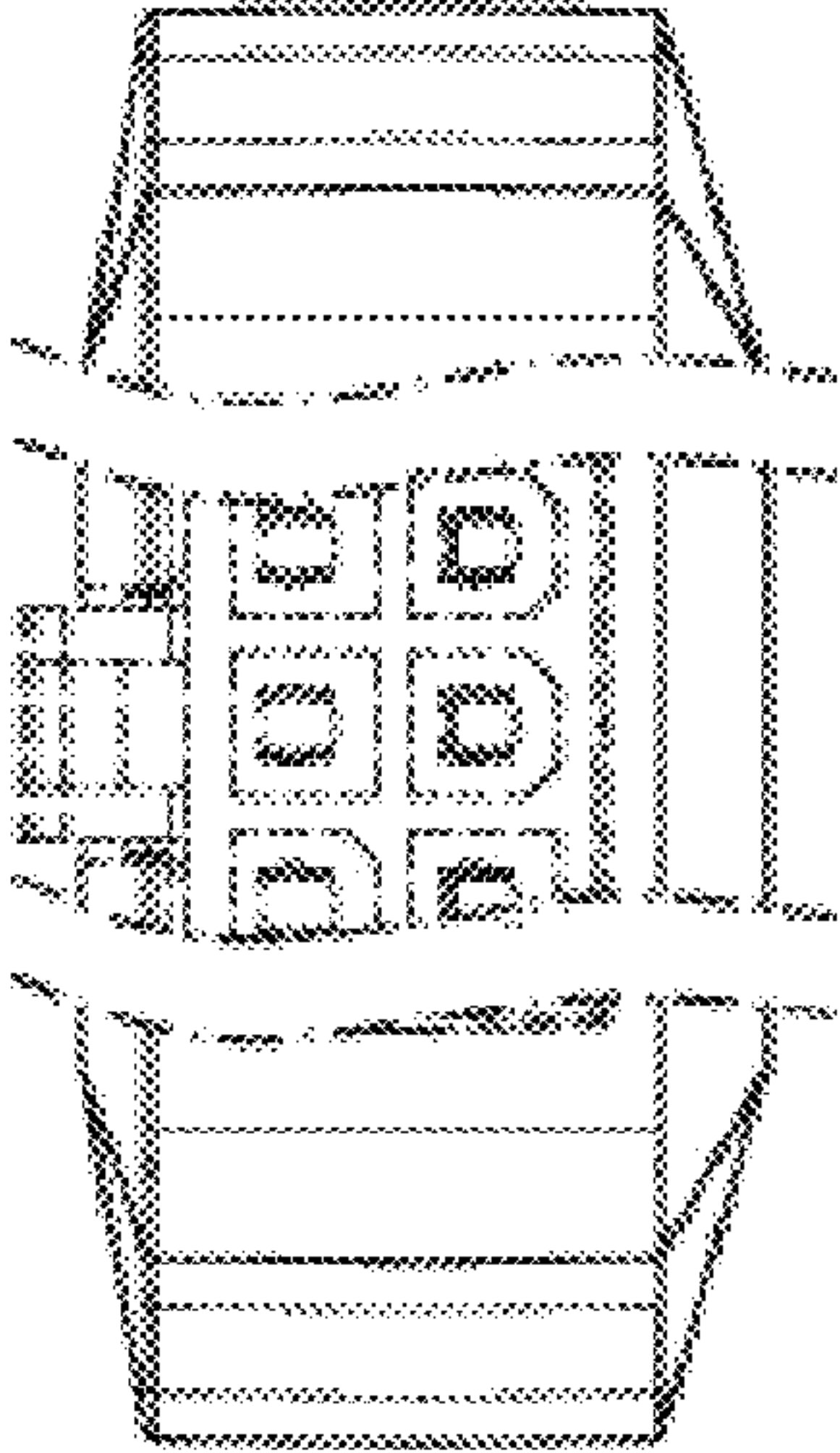


FIG. 24

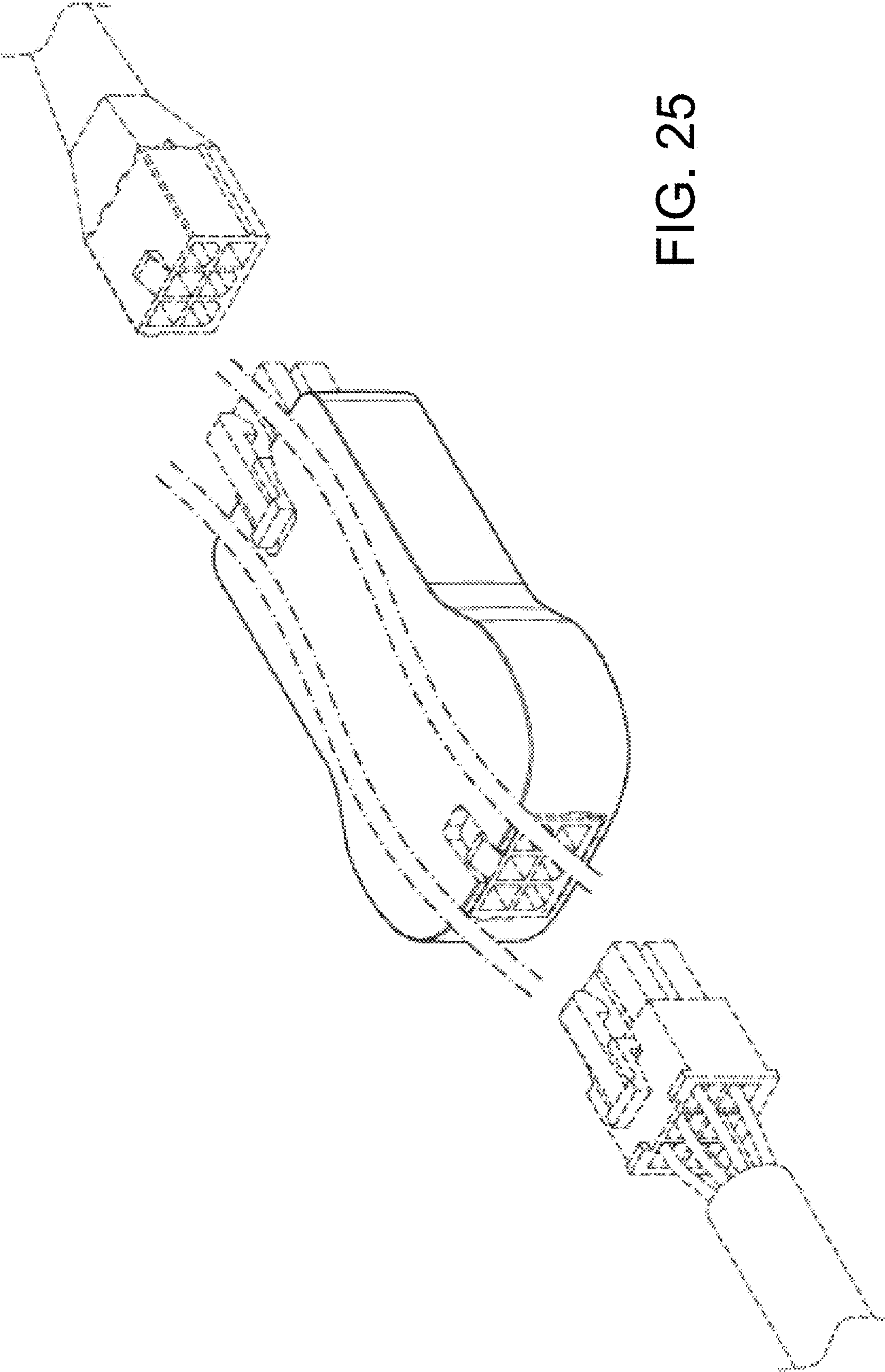


FIG. 25

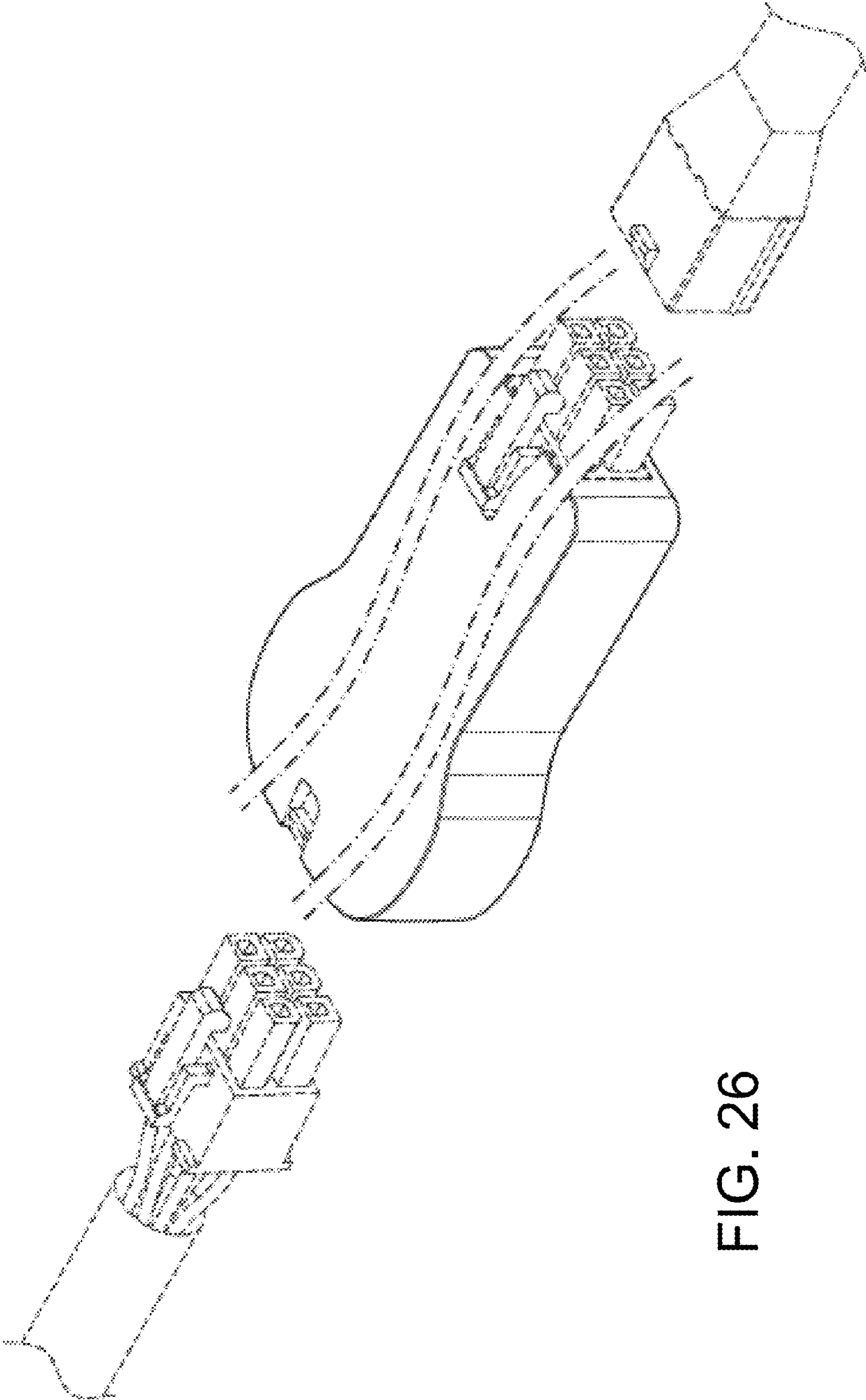


FIG. 26



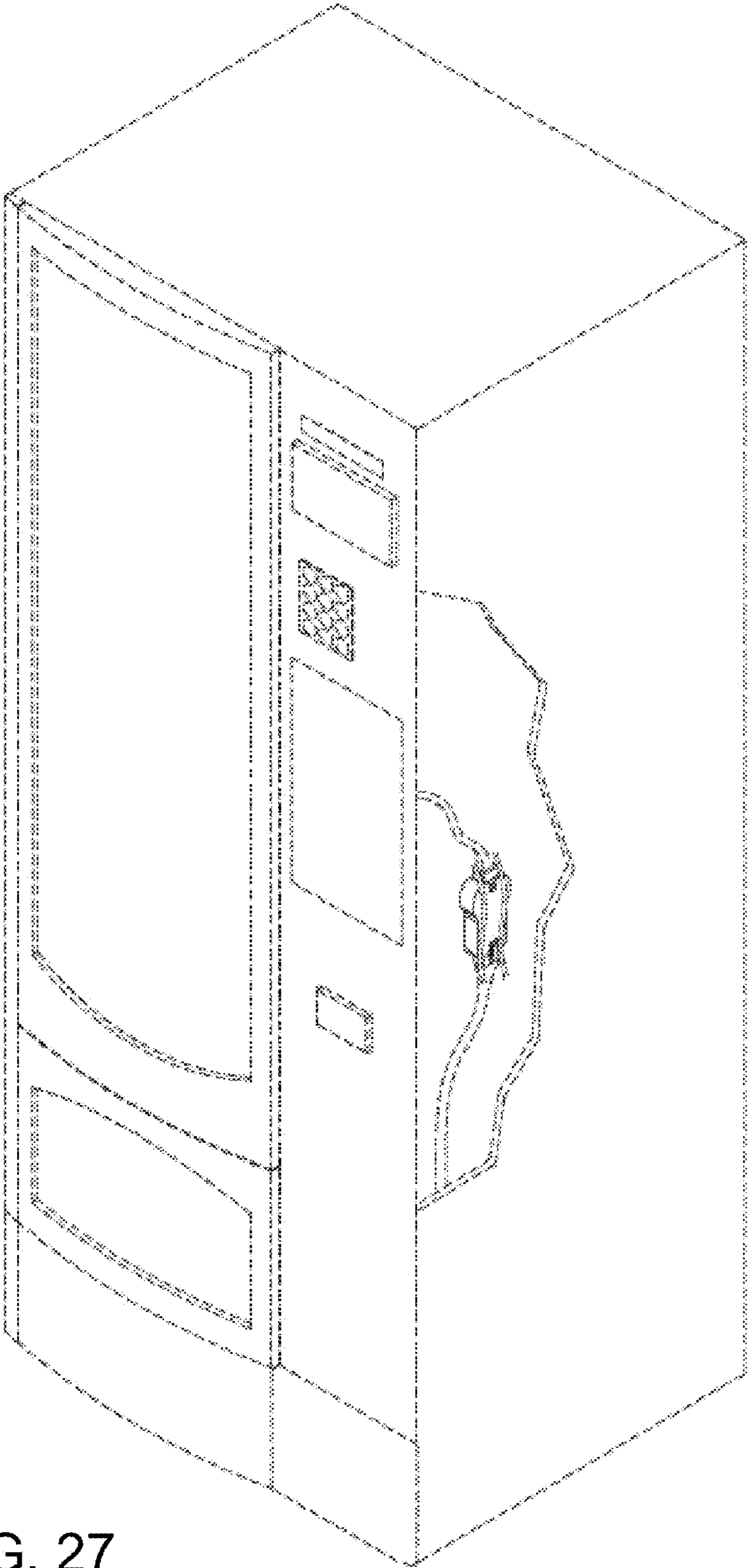


FIG. 27