



US00D755182S

(12) **United States Design Patent**
Bassett et al.

(10) **Patent No.:** **US D755,182 S**

(45) **Date of Patent:** **** May 3, 2016**

(54) **TOOL-FREE CARRIER FOR AN OPTICAL DRIVE**

(75) Inventors: **Jonathan D. Bassett**, Fort Collins, CO (US); **Owen Richard**, Fort Collins, CO (US)

(73) Assignee: **Hewlett-Packard Development Company, L.P.**, Houston, TX (US)

(**) Term: **14 Years**

(21) Appl. No.: **29/412,864**

(22) Filed: **Feb. 8, 2012**

(51) **LOC (10) Cl.** **14-02**

(52) **U.S. Cl.**
USPC **D14/432**

(58) **Field of Classification Search**
USPC D14/319-321, 348, 356-368, 498, D14/501-503, 510; 720/617-644, 646, 720/655-656; 360/99.19, 99.13, 98.01; 361/679.33, 679.37
CPC G06F 1/18; G06F 1/187; G06F 1/16; A47B 51/00; H05K 7/1487; H05K 7/14; G11B 33/124

See application file for complete search history.

(56) **References Cited**

U.S. PATENT DOCUMENTS

D321,684	S	*	11/1991	Kline et al.	D14/442
5,175,657	A	*	12/1992	Iftikar et al.	360/98.01
5,235,481	A	*	8/1993	Kamo et al.	360/99.13
5,282,099	A	*	1/1994	Kawagoe et al.	360/99.19
D382,257	S	*	8/1997	Yamazaki	D14/365

D464,339	S	*	10/2002	Tomino et al.	D14/240
7,019,965	B2	*	3/2006	Bradley et al.	361/679.38
D532,785	S	*	11/2006	Lo et al.	D14/363
7,218,513	B2	*	5/2007	Yang et al.	361/679.33
D577,021	S	*	9/2008	Kuang et al.	D14/363
D591,289	S	*	4/2009	Tsuchiya et al.	D14/363
D603,864	S	*	11/2009	Borislow	D14/435.1
7,681,210	B2	*	3/2010	Jiang et al.	720/638
8,035,961	B2	*	10/2011	Figuerado et al.	361/679.37
D694,753	S	*	12/2013	McManigal et al.	D14/368
2005/0066344	A1	*	3/2005	Lin	720/646
2007/0211422	A1	*	9/2007	Liu et al.	361/685
2008/0013272	A1	*	1/2008	Bailey et al.	361/685

* cited by examiner

Primary Examiner — Austin Murphy

(74) *Attorney, Agent, or Firm* — International IP Law Group, PLLC

(57) **CLAIM**

The ornamental design for a tool-free carrier for an optical drive, as shown and described.

DESCRIPTION

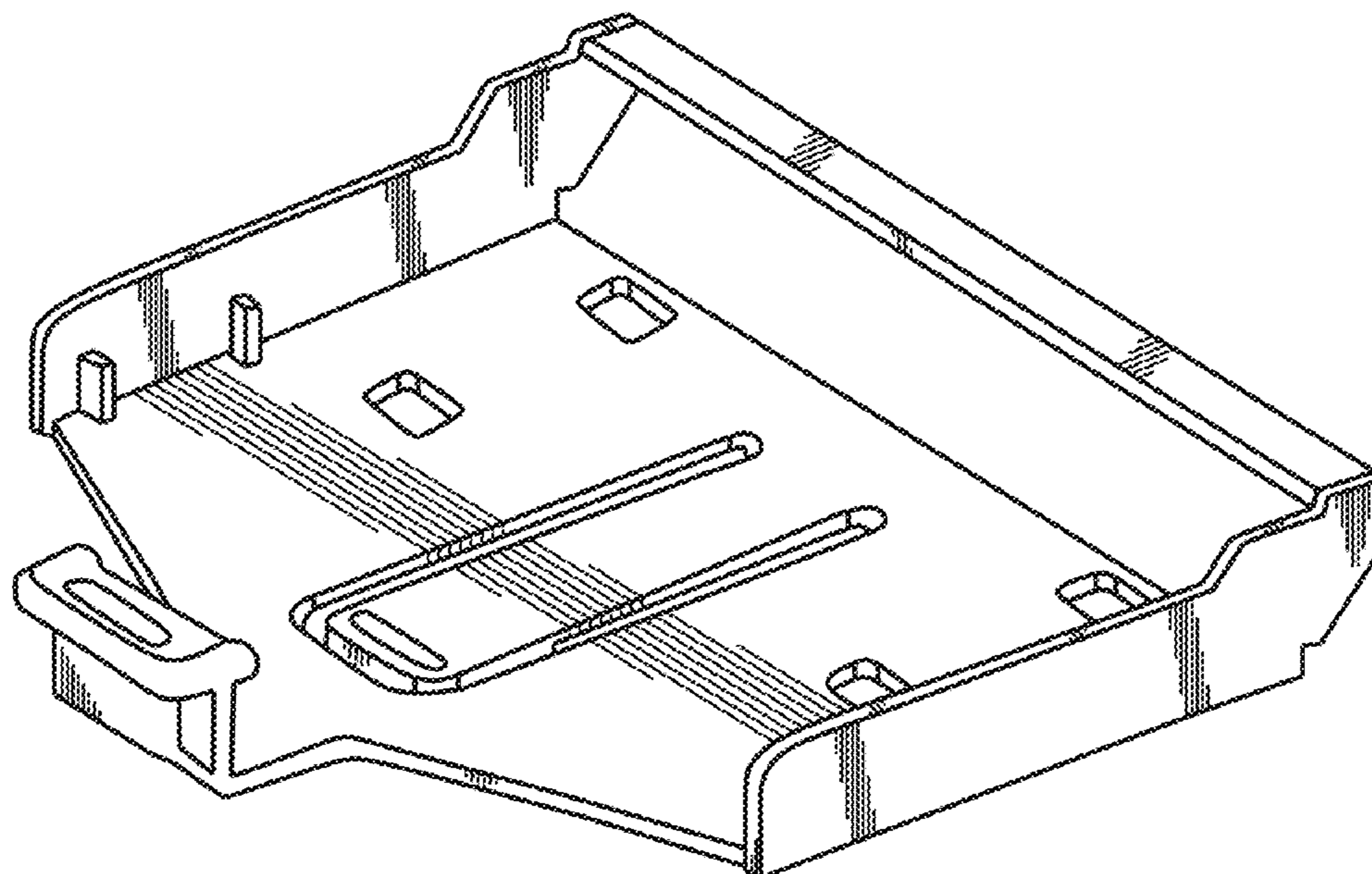
FIG. 1 is a top perspective view of a tool-free carrier for an optical drive;

FIG. 2 is a top perspective view of a tool-free carrier for an optical drive, showing also a mounting surface for the carrier and an optical drive to be inserted into the carrier; and,

FIG. 3 is a top perspective view of a tool-free carrier for an optical drive, which is mounted to the mounting surface and holding the optical drive.

The broken lines shown are included for the purpose of illustrating the unclaimed portions of the article and form no part of the claimed design.

1 Claim, 3 Drawing Sheets



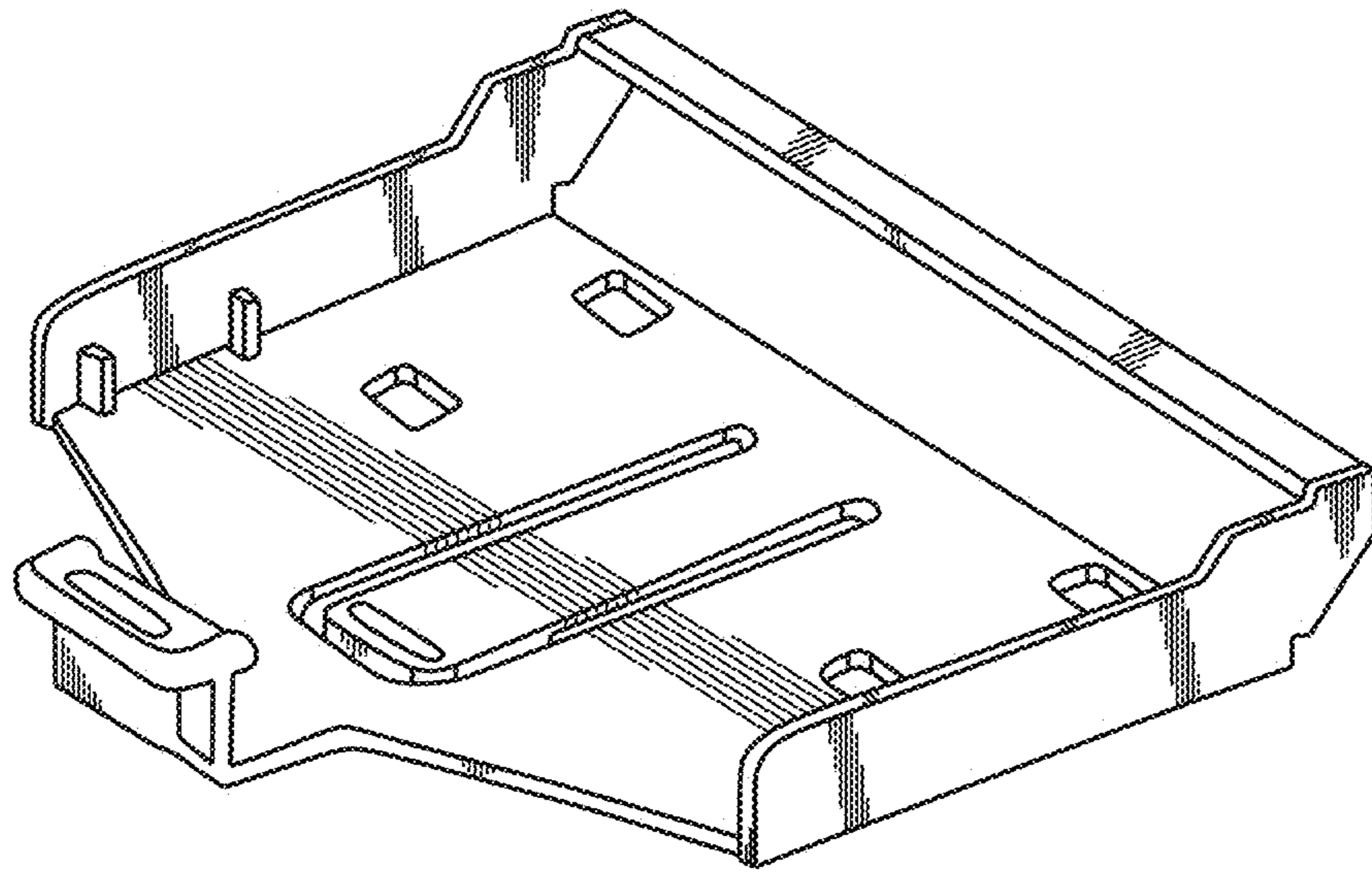


FIG. 1

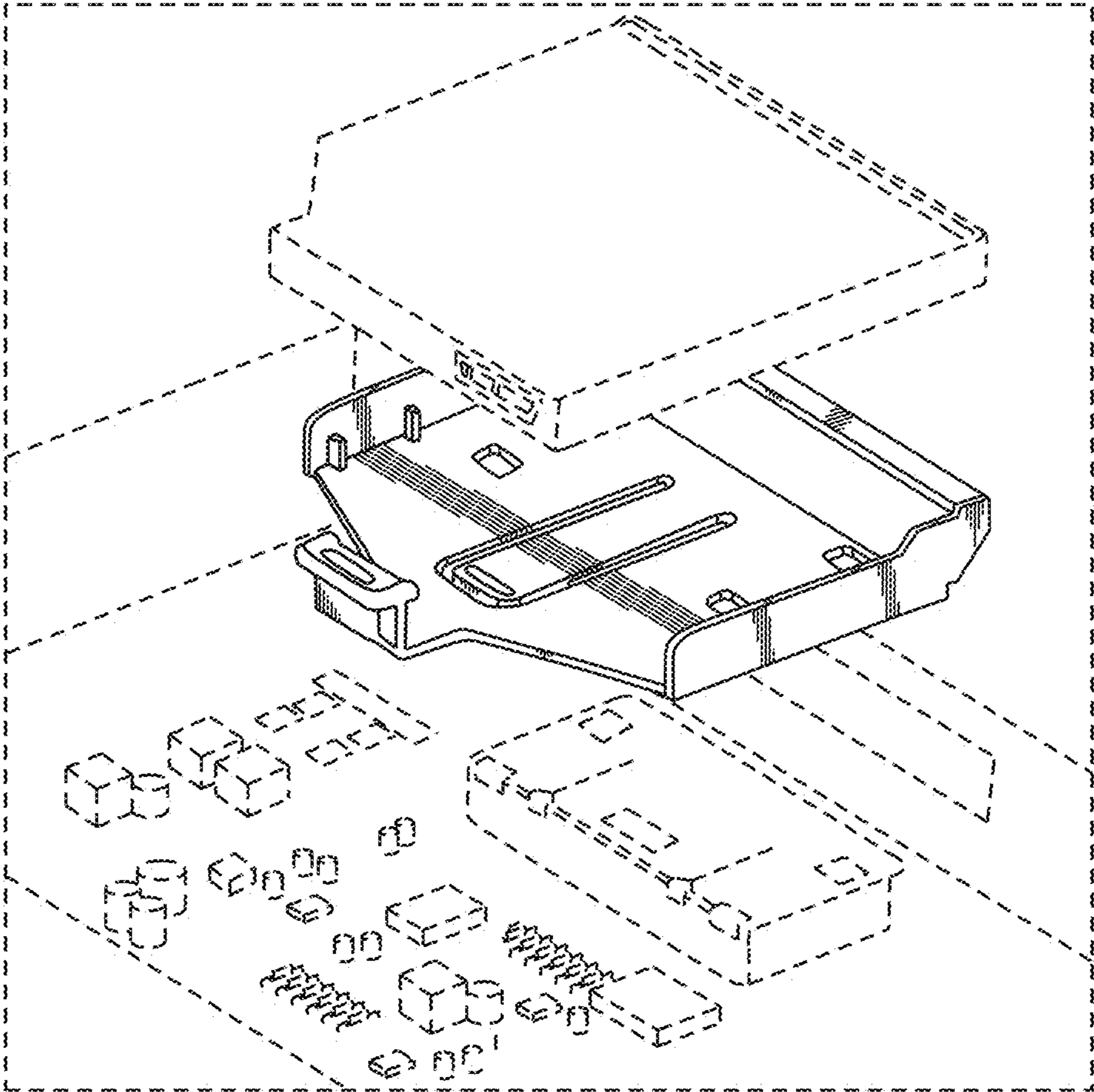


FIG. 2

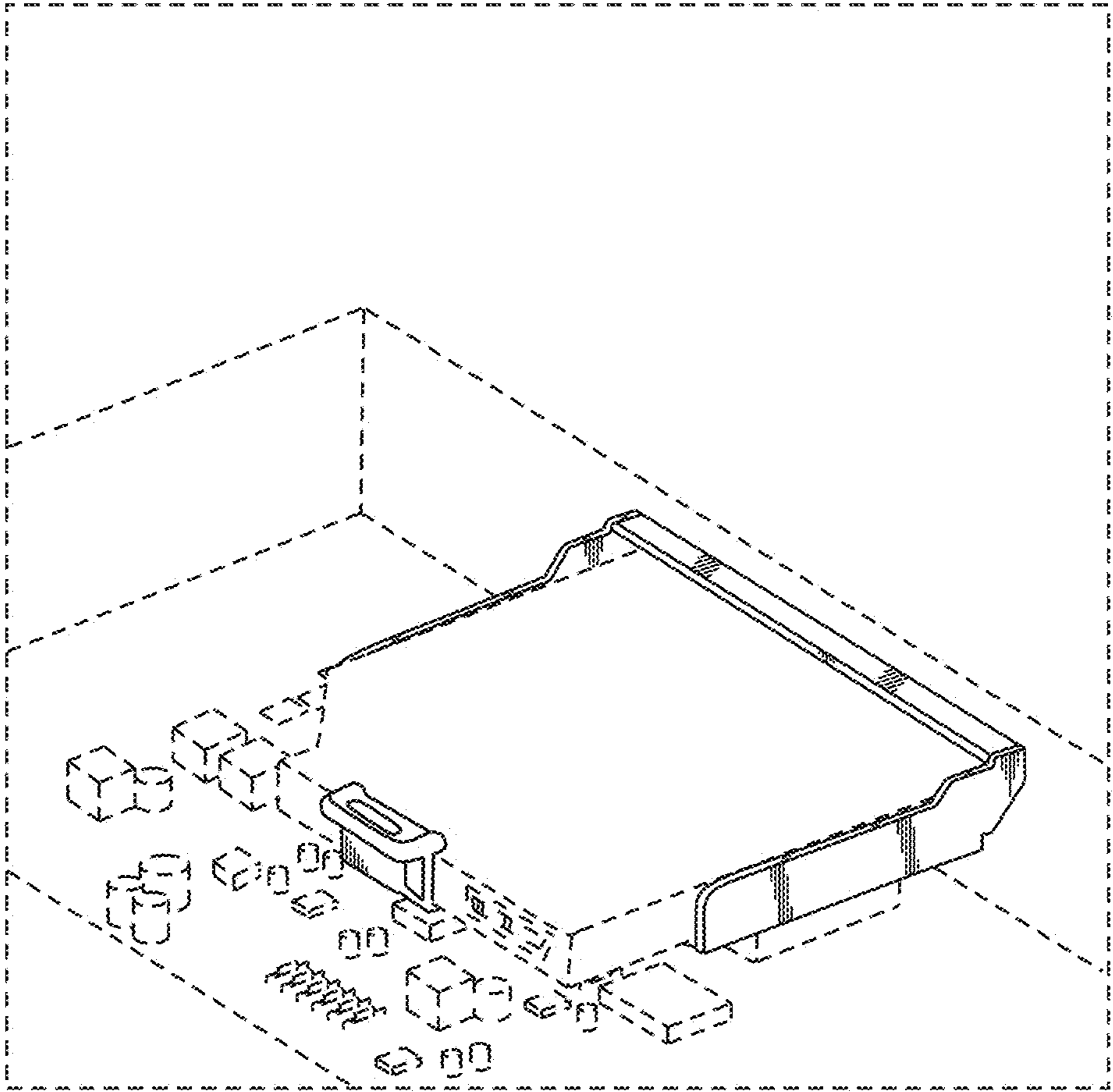


FIG. 3