



US00D755178S

(12) **United States Design Patent**  
**Solomon et al.**

(10) **Patent No.:** **US D755,178 S**

(45) **Date of Patent:** **\*\* \*May 3, 2016**

(54) **WATCH BODY**

(71) Applicant: **Pebble Technology Corp.**, Palo Alto, CA (US)

(72) Inventors: **Mark Charles Solomon**, San Jose, CA (US); **Marcus Maurice Townsend**, San Francisco, CA (US); **Steven William Johns**, Vancouver (CA)

(73) Assignee: **Pebble Technology, Corp.**, Palo Alto, CA (US)

(\* ) Notice: This patent is subject to a terminal disclaimer.

(\*\*) Term: **15 Years**

(21) Appl. No.: **29/534,057**

(22) Filed: **Jul. 24, 2015**

(51) **LOC (10) Cl.** ..... **14-02**

(52) **U.S. Cl.**  
USPC ..... **D14/344**; D10/38

(58) **Field of Classification Search**  
USPC ..... D14/341-347, 420, 426, 427;  
D10/30-32, 37-39, 65; 368/281-282,  
368/294-296; 455/100; 361/679.03;  
379/433.1; D11/3, 94  
CPC ..... H04B 1/03; H04B 1/385; G04G 17/083  
See application file for complete search history.

(56) **References Cited**

**U.S. PATENT DOCUMENTS**

D244,086 S	4/1977	Lawrence	
D244,707 S	6/1977	Tiep	
D244,761 S	6/1977	Sulek	
D245,074 S	7/1977	Karibe et al.	
D246,164 S *	10/1977	Koehler	..... D10/124
D246,765 S	12/1977	Sulek	

D247,133 S	1/1978	Tiep
D247,701 S	4/1978	Kwon
D249,874 S	10/1978	Lawrence
D250,881 S	1/1979	Liautaud
D251,773 S	5/1979	Morabito

(Continued)

*Primary Examiner* — Barbara Fox

(74) *Attorney, Agent, or Firm* — Rutan & Tucker, LLP

(57) **CLAIM**

The ornamental design for a watch body, as shown and described.

**DESCRIPTION**

This application is filed concurrently with U.S. Design application Ser. No. 29/534,046, entitled "Watch Body", and U.S. Design application Ser. No. 29/534,052, entitled "Watch Body", which are both incorporated herein by reference in their entireties.

FIG. 1 is a top perspective view showing a watch body according to our new design from a first end;

FIG. 2 is a bottom perspective view showing the watch body from the first end;

FIG. 3 is an end view of the first end of the watch body;

FIG. 4 is a top perspective view showing the watch body from a second, opposite end;

FIG. 5 is a bottom perspective view showing the watch body from the second end;

FIG. 6 is an end view of the second end of the watch body;

FIG. 7 is a plan view of a top of the watch body;

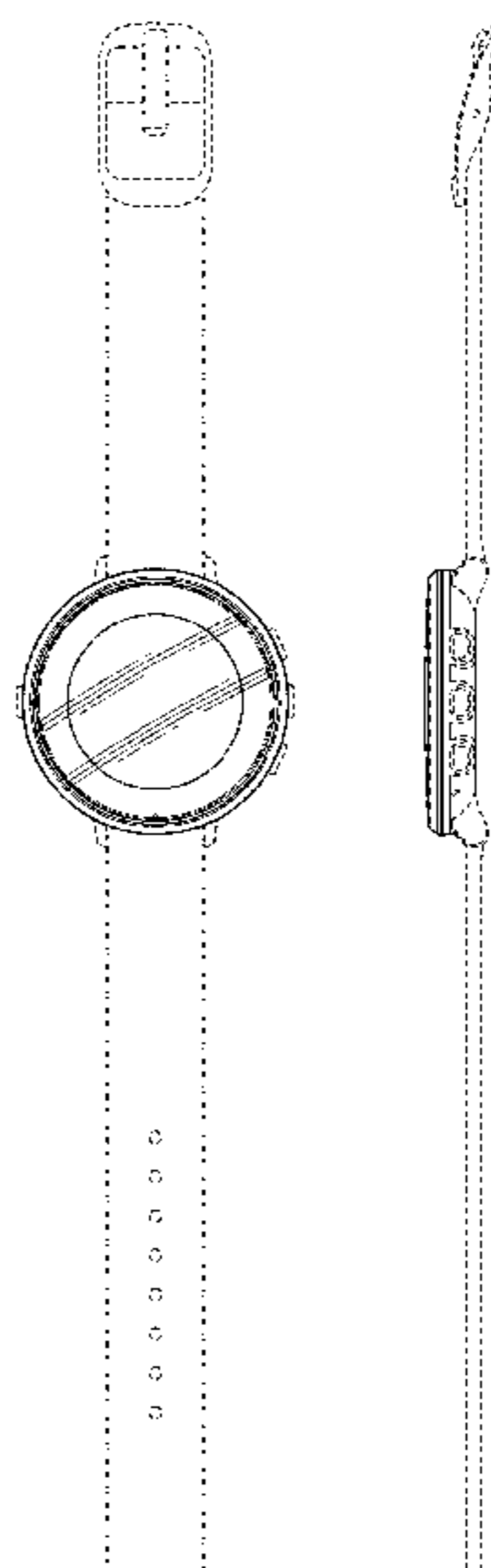
FIG. 8 is a side view showing a right side of the watch body;

FIG. 9 is a plan view showing a back of the watch body; and,

FIG. 10 is a side view of a left side of the watch body.

The broken line showing of a band represents environment and forms no part of the claimed design. The remainder of the broken lines represent portions of the watch body that form no part of the claimed design.

**1 Claim, 3 Drawing Sheets**



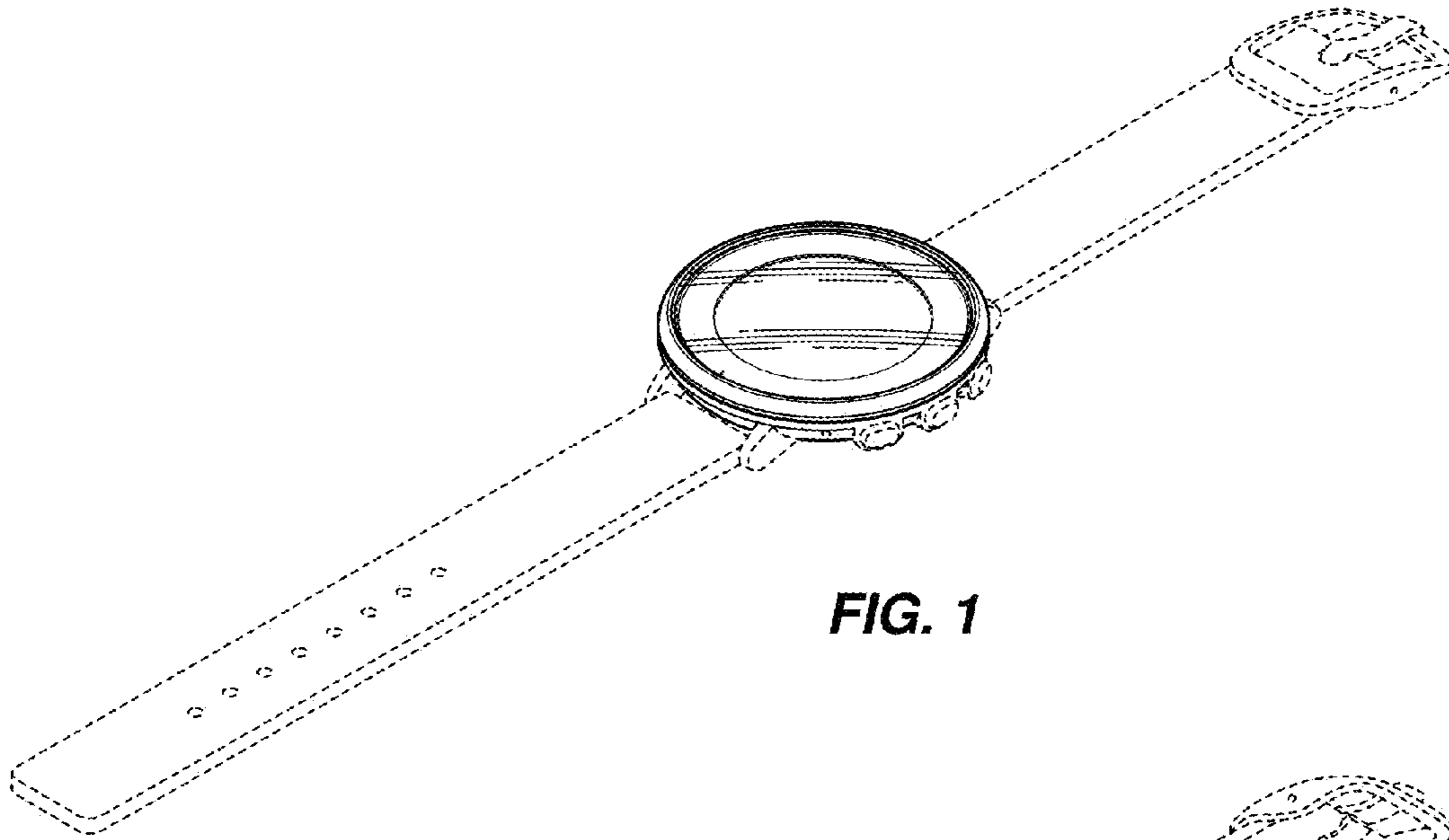
(56)

References Cited

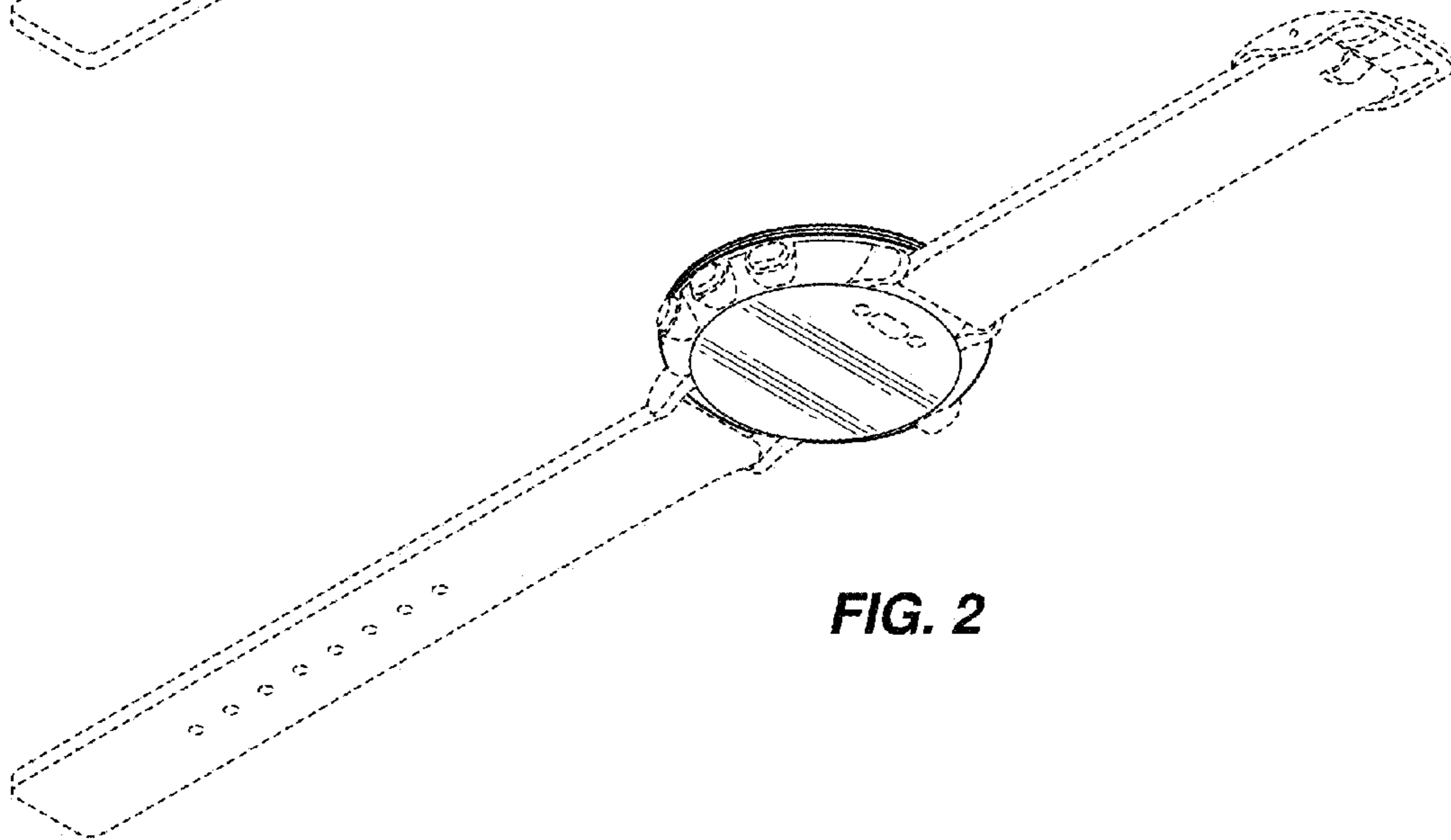
U.S. PATENT DOCUMENTS

D255,224 S	6/1980	Sulek et al.	
D255,877 S	7/1980	Yamagami	
D259,626 S	6/1981	Wada	
D261,731 S	11/1981	Yamagami et al.	
D261,732 S	11/1981	Yamagami et al.	
D261,733 S	11/1981	Iida	
D261,994 S	11/1981	Yamagami et al.	
D265,063 S	6/1982	Iida	
D265,295 S	7/1982	Wada	
D267,548 S	1/1983	Wada	
D269,767 S	7/1983	Houlihan et al.	
D269,951 S	8/1983	Eberhardt et al.	
D270,244 S	8/1983	McCormick	
D277,829 S	3/1985	Leg	
D278,685 S	5/1985	Suzuki et al.	
D279,081 S	6/1985	Suzuki et al.	
D283,014 S	3/1986	Suzuki et al.	
4,825,427 A	4/1989	Wollman	
D312,416 S	11/1990	Braun	
5,005,161 A	4/1991	Boilen	
D324,340 S	3/1992	Houlihan	
D324,341 S	3/1992	Houlihan	
D345,929 S	4/1994	Houlihan	
D346,558 S	5/1994	Hiromori	
D366,036 S	1/1996	Houlihan	
D373,538 S *	9/1996	Riley .....	D10/30
D380,392 S *	7/1997	Kennedy .....	D10/30
D382,492 S	8/1997	Houlihan	
D386,428 S	11/1997	Toribio	
D386,694 S	11/1997	Houlihan	
D387,998 S	12/1997	Ramos, Jr. et al.	
D388,000 S *	12/1997	Molineri .....	D10/30
D389,070 S *	1/1998	Galli .....	D10/30
D389,752 S *	1/1998	Riley .....	D10/30
D427,081 S	6/2000	Hiramatsu	
D447,063 S *	8/2001	Scheufele .....	D10/30
D508,418 S	8/2005	Kraft	
D528,928 S	9/2006	Burton	
D554,003 S *	10/2007	Journe .....	D10/31
D554,535 S *	11/2007	Journe .....	D10/31
D564,911 S *	3/2008	Holtzman .....	D10/39
D582,295 S	12/2008	Schoepfer	
D611,842 S *	3/2010	Parmigiani .....	D10/38
D624,443 S *	9/2010	Cerrato .....	D10/38
D628,498 S	12/2010	Arellano	
D636,686 S	4/2011	Cobbett et al.	
D645,360 S	9/2011	Kiser et al.	
D645,361 S *	9/2011	Parmigiani .....	D10/38
D651,099 S *	12/2011	Ruffieux .....	D10/38
D656,414 S *	3/2012	Parmigiani .....	D10/38
D667,126 S	9/2012	Cho et al.	
D672,667 S	12/2012	Mix	
D693,251 S	11/2013	Anderssen et al.	
D694,655 S *	12/2013	Rufenacht .....	D10/38
D701,504 S	3/2014	Christopher et al.	
D703,204 S	4/2014	Riddiford et al.	
D705,673 S	5/2014	Arellano	
D709,875 S *	7/2014	Aumiller .....	D14/344
D711,872 S *	8/2014	Aumiller .....	D14/344
D717,678 S	11/2014	Anderssen et al.	
D718,150 S *	11/2014	Gueit .....	D10/32
D719,123 S	12/2014	Park et al.	
D732,985 S *	6/2015	Cerrato .....	D10/39
D733,580 S *	7/2015	Cerrato .....	D10/38
D734,677 S *	7/2015	Ruffieux .....	D10/38
2014/0143785 A1 *	5/2014	Mistry .....	G06F 1/3203 718/104

\* cited by examiner



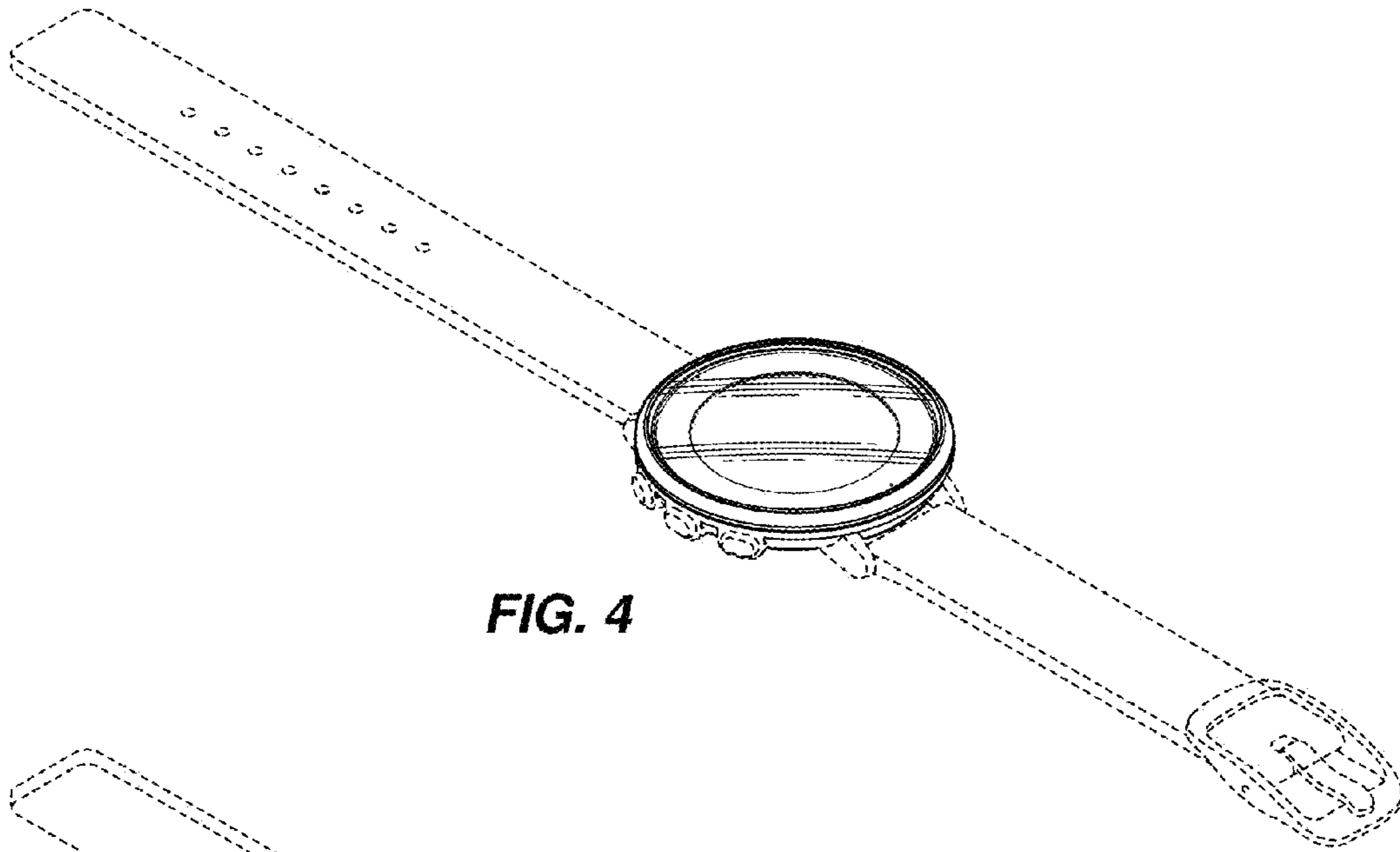
**FIG. 1**



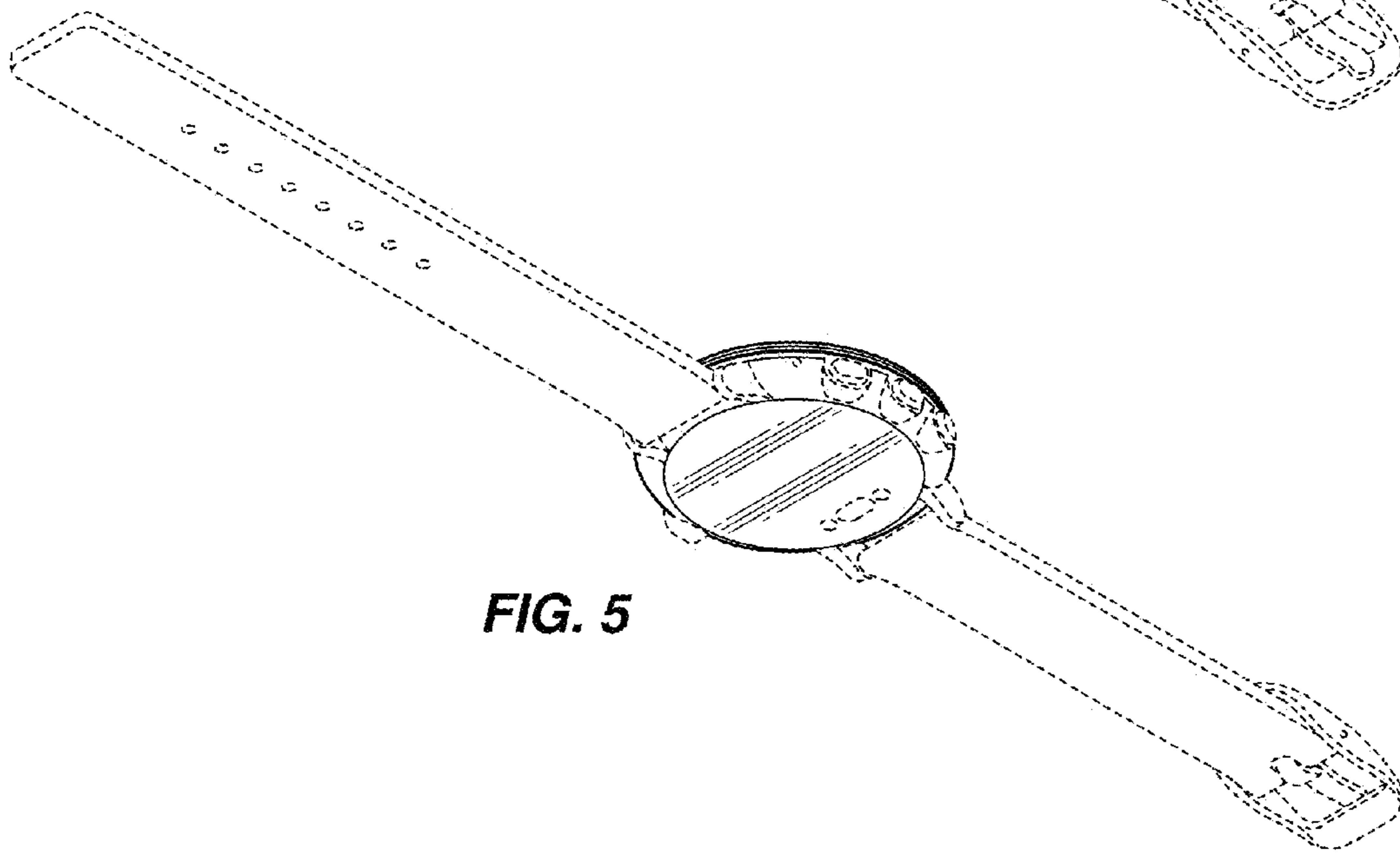
**FIG. 2**



**FIG. 3**



**FIG. 4**



**FIG. 5**



**FIG. 6**



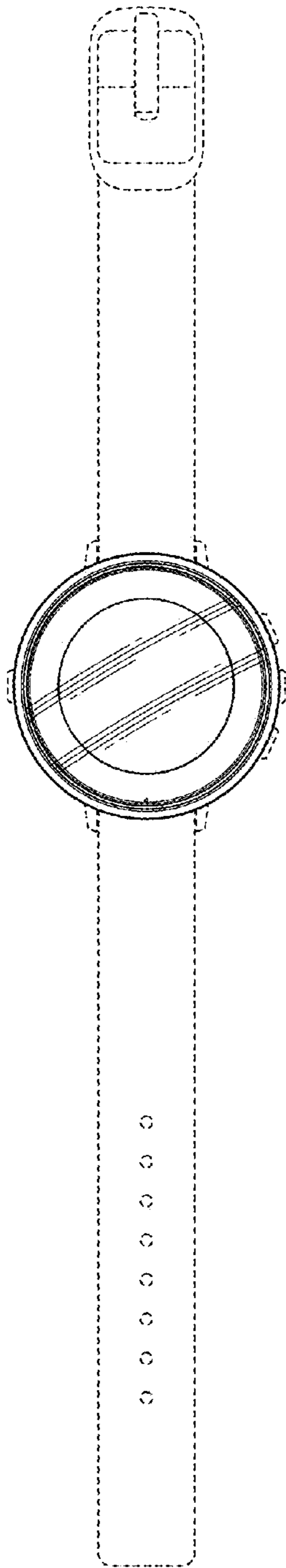


FIG. 7

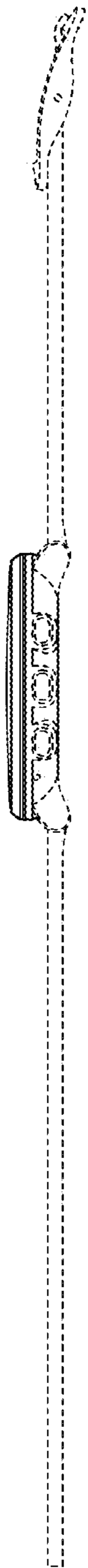


FIG. 8

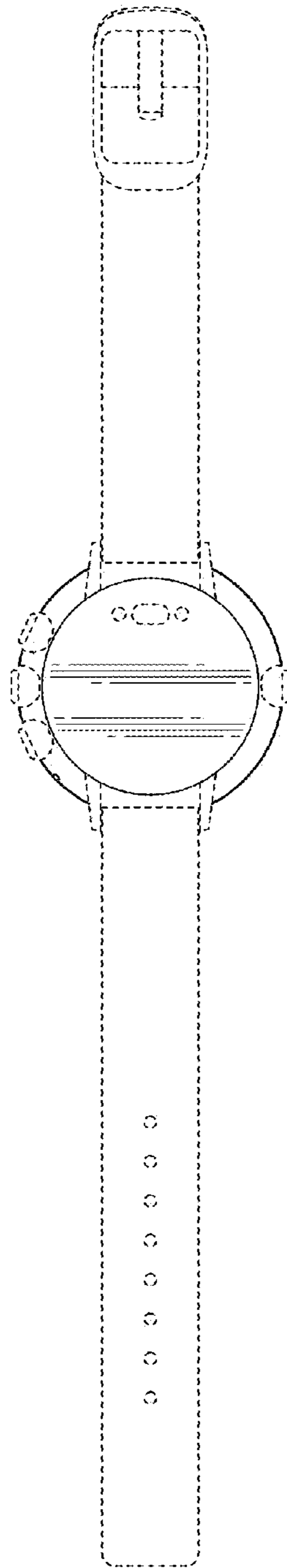


FIG. 9

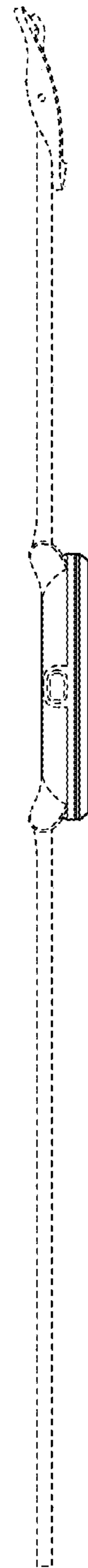


FIG. 10