



US00D755173S

(12) **United States Design Patent**  
**Sheldon**

(10) **Patent No.:** **US D755,173 S**

(45) **Date of Patent:** **\*\* May 3, 2016**

(54) **DRIVE THROUGH KIOSK**

(71) Applicant: **Steven Earl Sheldon**, Bowling green,  
KY (US)

(72) Inventor: **Steven Earl Sheldon**, Bowling green,  
KY (US)

(\*\*) Term: **14 Years**

(21) Appl. No.: **29/518,127**

(22) Filed: **Feb. 20, 2015**

(51) **LOC (10) Cl.** ..... **14-02**

(52) **U.S. Cl.**  
USPC ..... **D14/307**

(58) **Field of Classification Search**  
USPC ..... D14/302-307, 900-902; D13/163;  
D20/10; D21/332, 325, 369, 370;  
D99/28; D6/397, 466; 194/206;  
361/679.01, 679.02, 679.04, 679.21,  
361/679.57, 725  
CPC ..... G06Q 20/18; G06Q 20/10; G06Q 20/123;  
G06Q 20/20; G06Q 30/02; G06Q 30/06;  
A47F 9/047

See application file for complete search history.

(56) **References Cited**

U.S. PATENT DOCUMENTS

D515,080 S *	2/2006	Esplo .....	D14/307
D532,782 S *	11/2006	Russo .....	D14/307
D565,044 S *	3/2008	Witts .....	D14/307
D616,432 S *	5/2010	Cagnina .....	D14/307
D695,285 S *	12/2013	Smith .....	D14/307
D728,557 S *	5/2015	Soares .....	D14/307
D732,015 S *	6/2015	Alekhin .....	D14/307
D742,870 S *	11/2015	Berini .....	D14/307
D743,956 S *	11/2015	Kraft .....	D14/307

\* cited by examiner

*Primary Examiner* — Austin Murphy

(74) *Attorney, Agent, or Firm* — Laura M. Hagan; Kerrick Bachert PSC

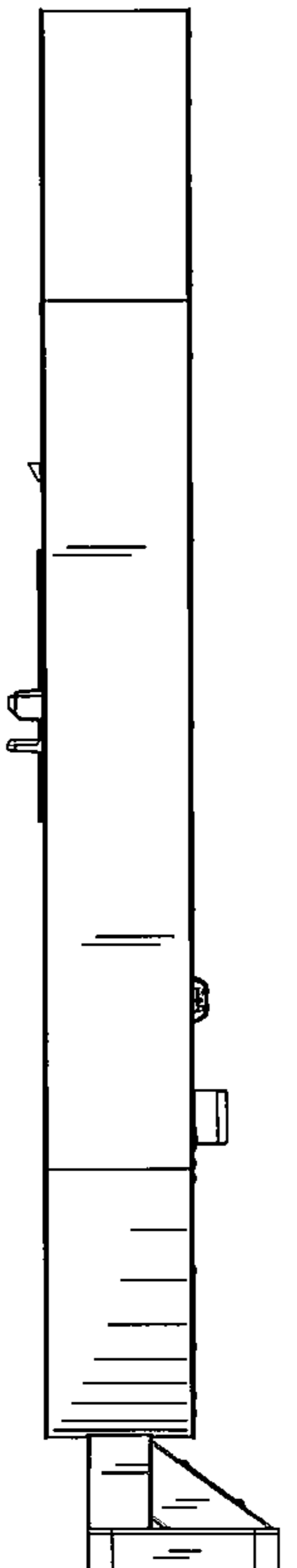
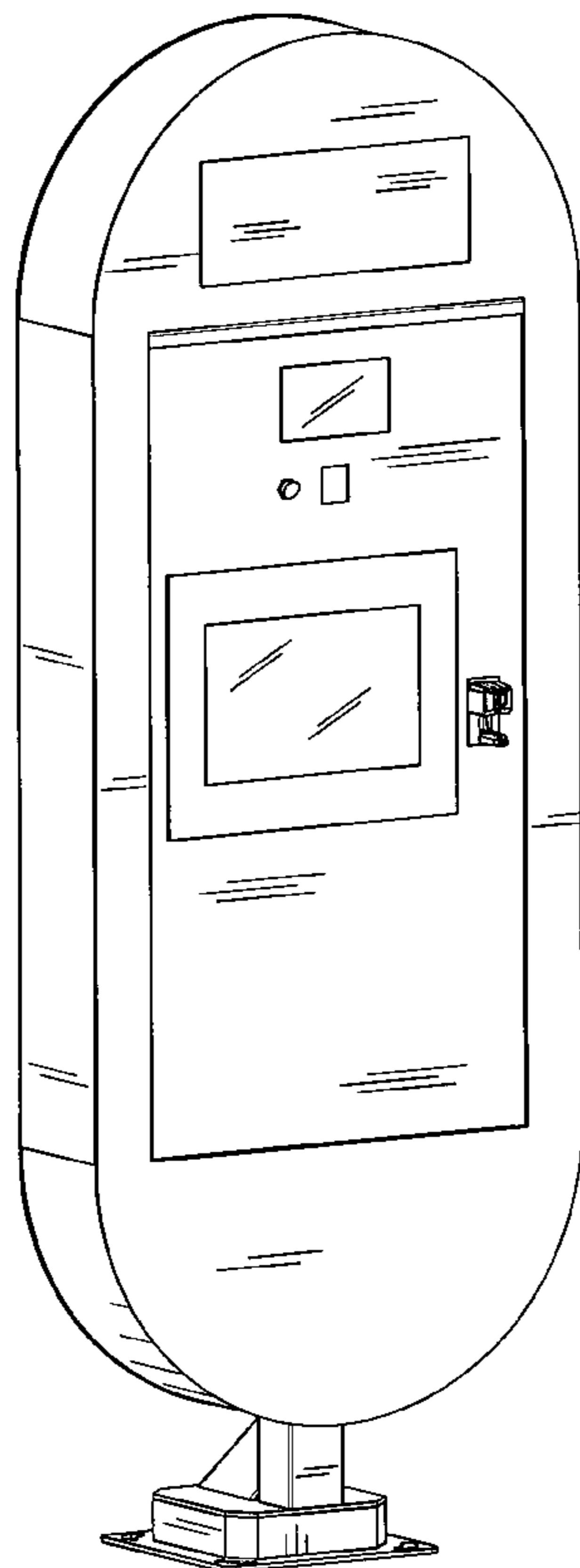
(57) **CLAIM**

I claim the ornamental design for a drive through kiosk, substantially shown and described.

**DESCRIPTION**

FIG. 1 is a perspective view of the front left of a drive through kiosk incorporating the new design; FIG. 2 is a right side elevation view thereof; FIG. 3 is a rear elevation view thereof; FIG. 4 is a left side elevation view thereof; FIG. 5 is a front elevation view thereof; FIG. 6 is a top plan view thereof; and, FIG. 7 is a bottom plan view thereof.

**1 Claim, 6 Drawing Sheets**



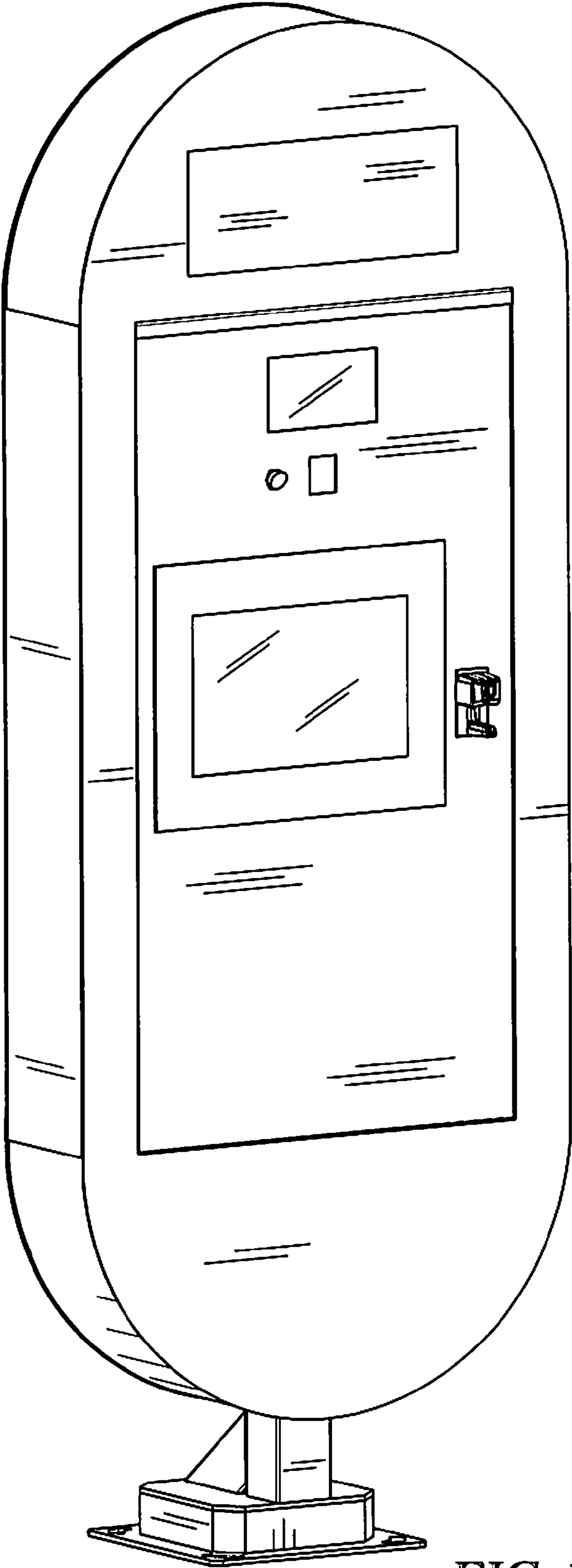


FIG. 1

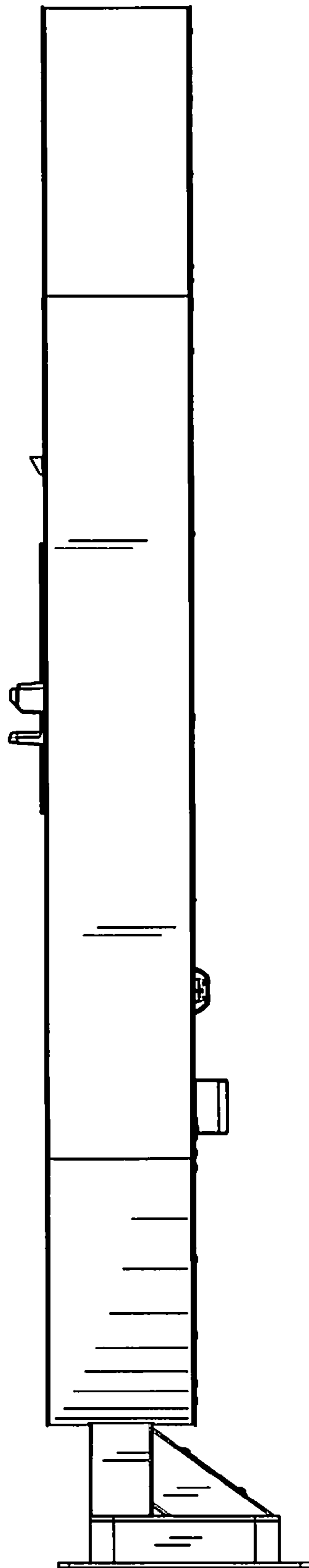


FIG. 2

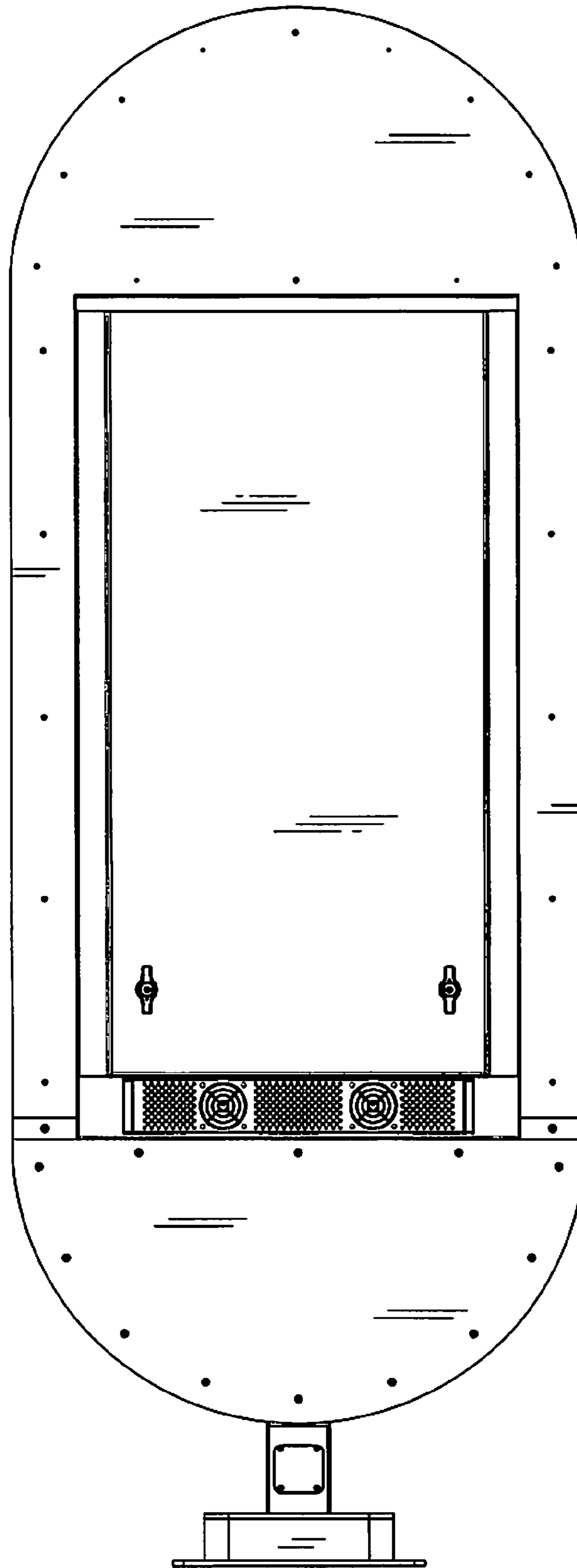


FIG. 3

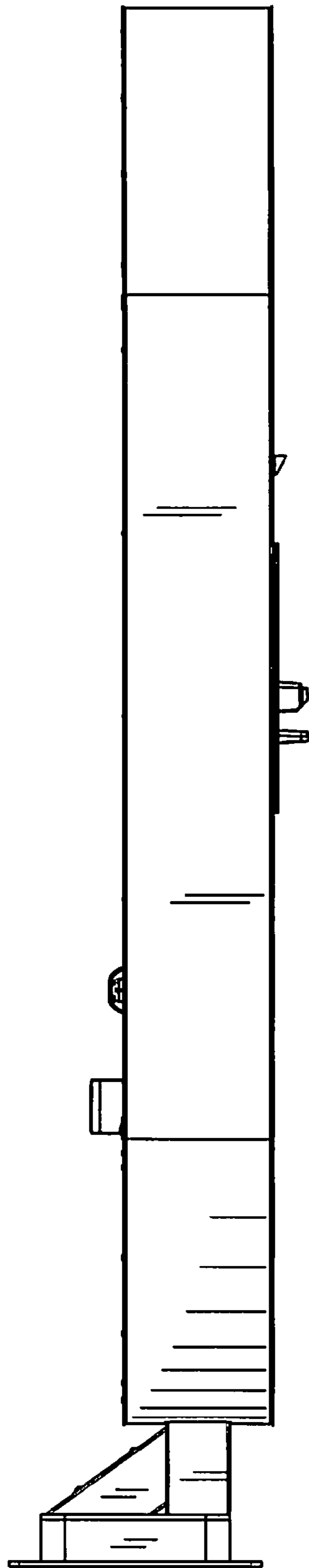


FIG. 4

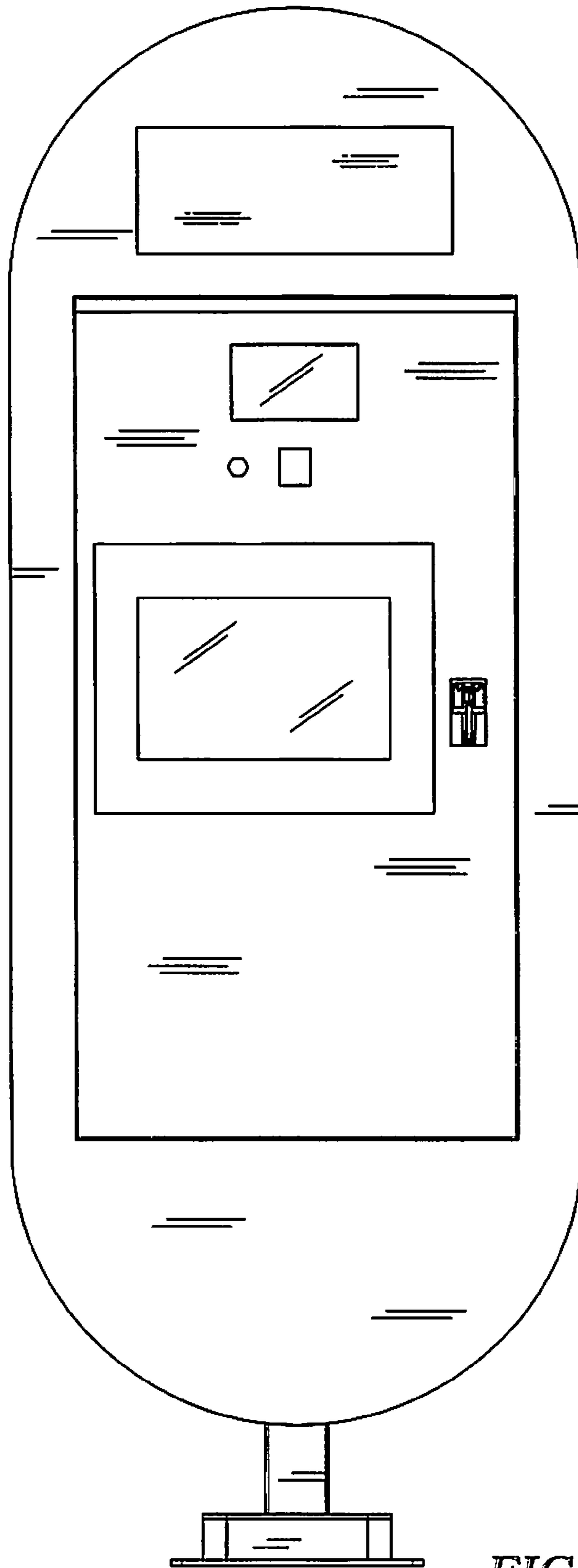


FIG. 5

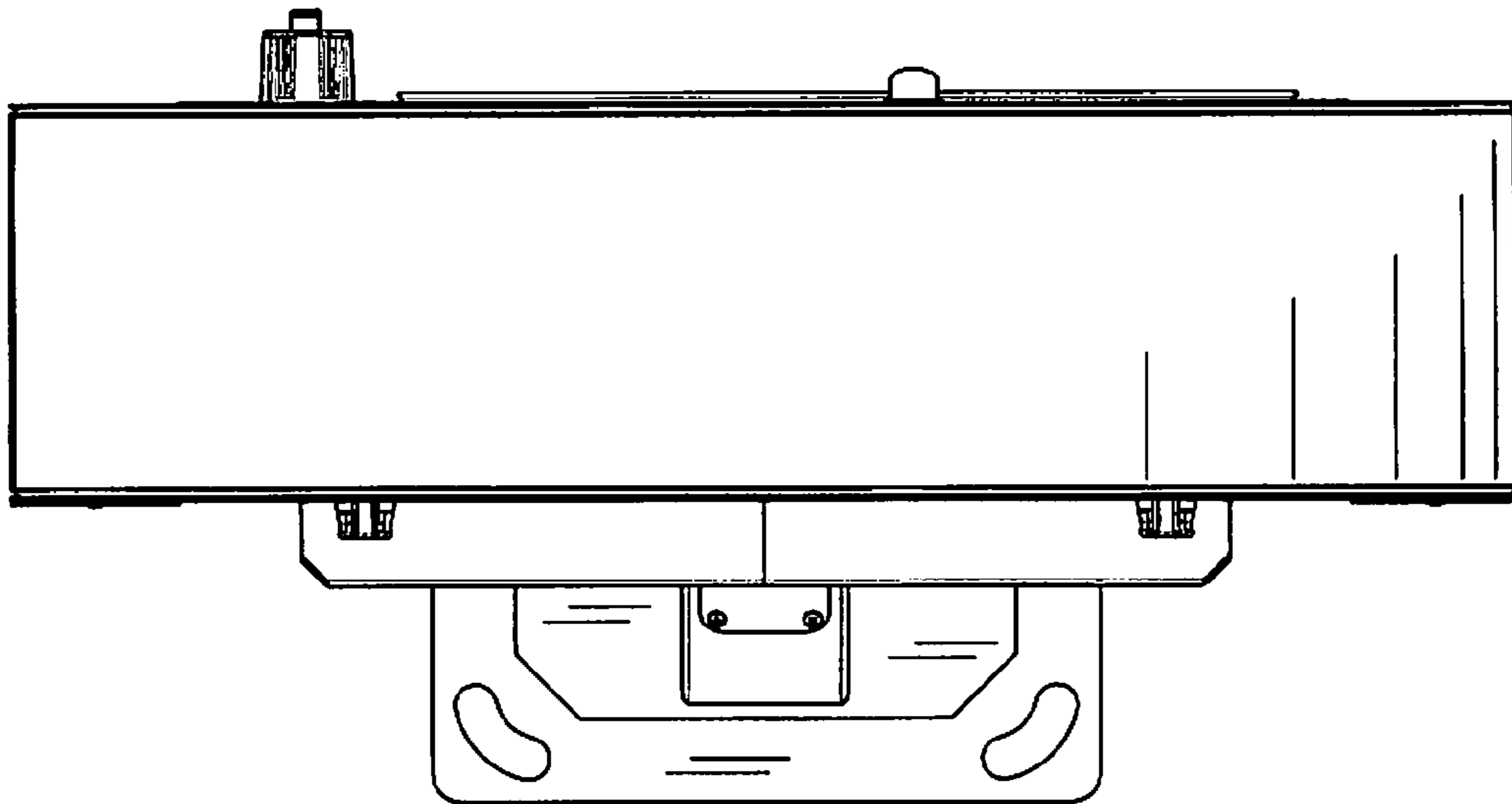


FIG. 6

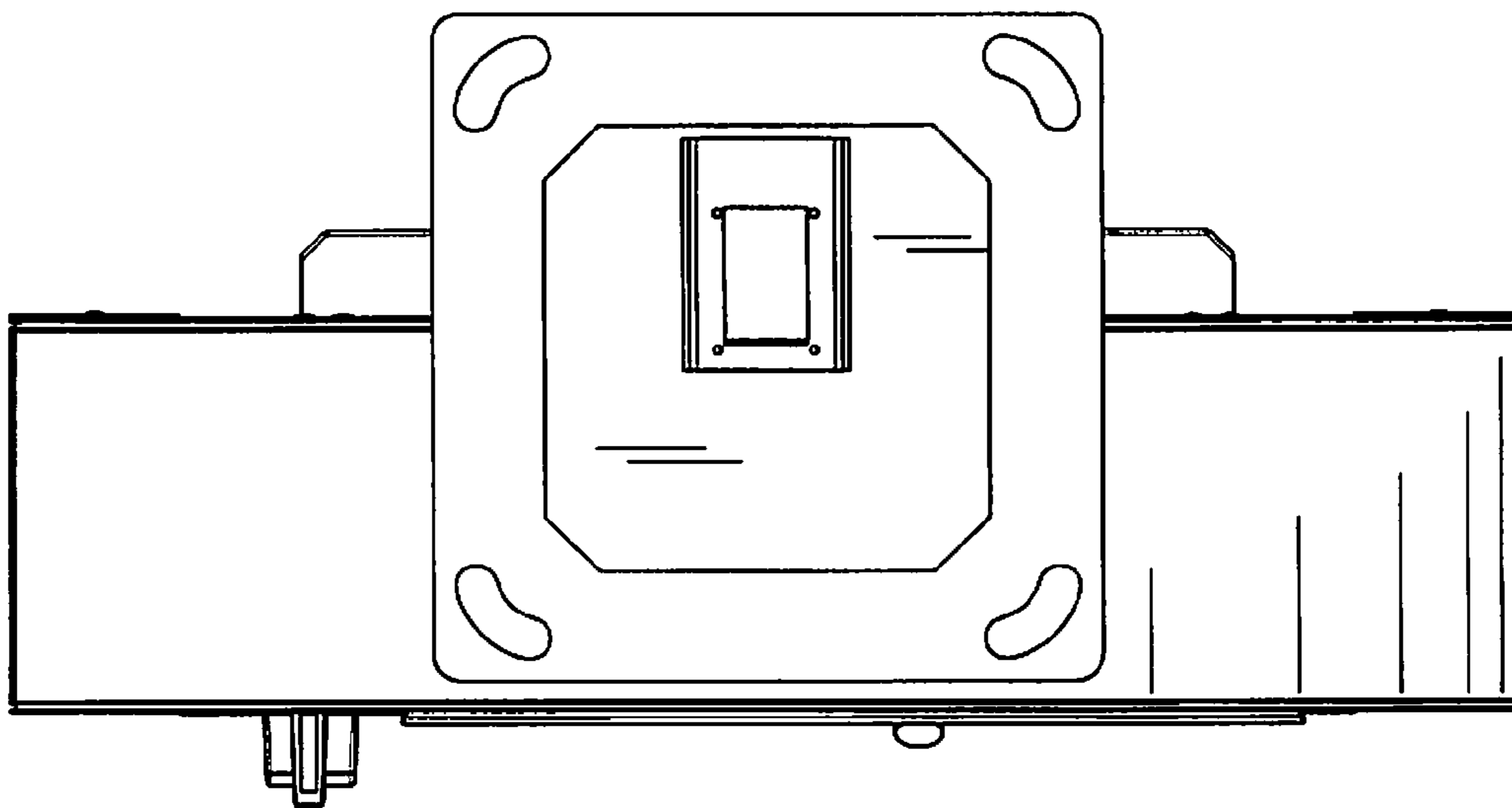


FIG. 7