



US00D755171S

(12) **United States Design Patent**
Bae et al.

(10) **Patent No.:** **US D755,171 S**

(45) **Date of Patent:** **** May 3, 2016**

- (54) **MOBILE PHONE CASE**
- (71) Applicant: **LG Electronics Inc.**, Seoul (KR)
- (72) Inventors: **Jinwan Bae**, Seoul (KR); **Hyunggon Ryu**, Gyeonggi-do (KR)
- (73) Assignee: **LG Electronics Inc.**, Seoul (KR)
- (**) Term: **14 Years**

D652,829 S *	1/2012	Kim	D14/250
D657,354 S *	4/2012	Kim	D14/250
D685,802 S *	7/2013	Canizares	D14/440
D694,741 S *	12/2013	Kim	D14/250
D695,745 S *	12/2013	Kim	D14/440
D704,181 S *	5/2014	Stevinson	D14/250
D705,783 S *	5/2014	Weng	D14/440
D708,172 S *	7/2014	Ryu	D14/250
D711,363 S *	8/2014	Kim	D14/250

* cited by examiner

- (21) Appl. No.: **29/479,449**
- (22) Filed: **Jan. 16, 2014**

Primary Examiner — Carla Jobe Wright

(74) *Attorney, Agent, or Firm* — Morgan, Lewis & Bockius LLP

(30) **Foreign Application Priority Data**

Jul. 19, 2013 (KR) 30-2013-0037508

(51) **LOC (10) Cl.** **14-03**

(52) **U.S. Cl.**
USPC **D14/250**

(58) **Field of Classification Search**
 USPC D14/238.1, 440, 203.3–203.7, 217, 240,
 D14/248, 251–253, 447, 496, 250; D3/201,
 D3/218, 247, 269, 273, 301, 303;
 D13/103, 107–108, 119
 CPC A45C 1/06; A45C 11/00; A45C 13/02;
 A45C 2011/002; A45F 5/02; A45F 2005/026;
 A45F 2200/0525; A45F 2200/0516; H04B
 1/3888; H04M 1/0283; H04M 1/0202
 See application file for complete search history.

(56) **References Cited**

U.S. PATENT DOCUMENTS

D459,346 S *	6/2002	Powell	D14/250
D597,089 S *	7/2009	Khan	D14/250
D641,348 S *	7/2011	Kim	D14/250

(57) **CLAIM**

The ornamental design for a mobile phone case, as shown and described.

DESCRIPTION

FIG. 1 is a front perspective view of a mobile phone case showing our new design;
 FIG. 2 is a front view thereof;
 FIG. 3 is a rear view thereof;
 FIG. 4 is a left side view thereof;
 FIG. 5 is a right side view thereof;
 FIG. 6 is a top plan view thereof where the bottom plan view is a mirror image;
 FIG. 7 is a rear perspective view thereof, shown with an unclaimed mobile phone; and,
 FIG. 8 is a another rear perspective view thereof, shown with an unclaimed mobile phone.
 The broken lines in FIGS. 7 and 8 depict an unclaimed mobile phone and form no part of the claimed design.

1 Claim, 8 Drawing Sheets

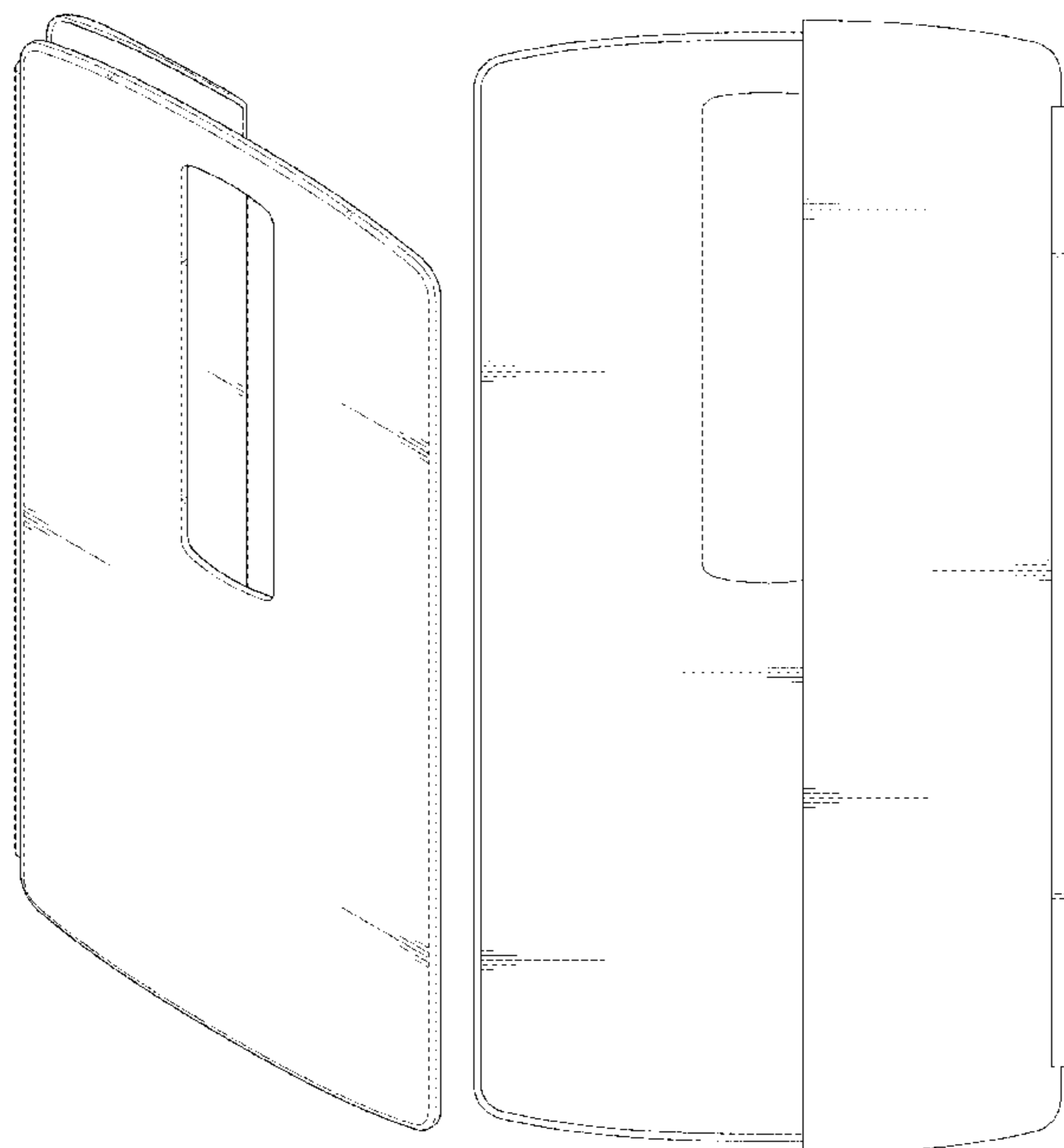


FIG. 1

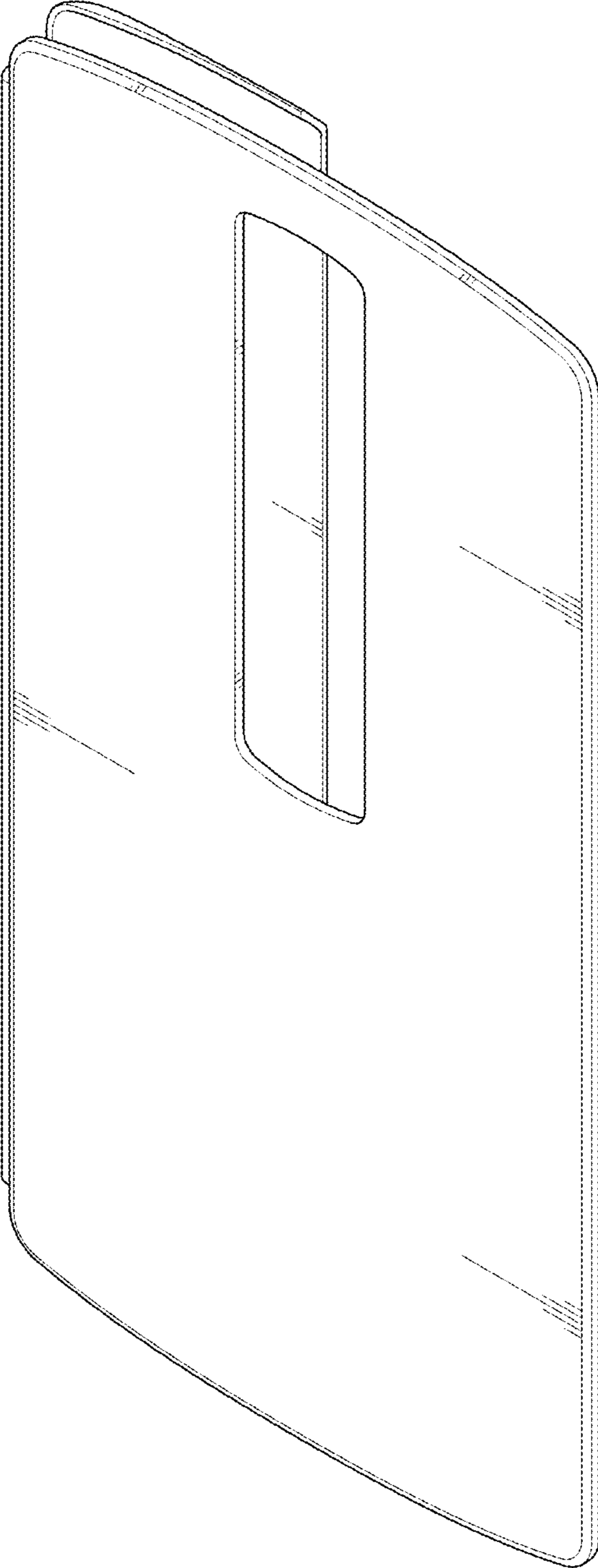


FIG. 2

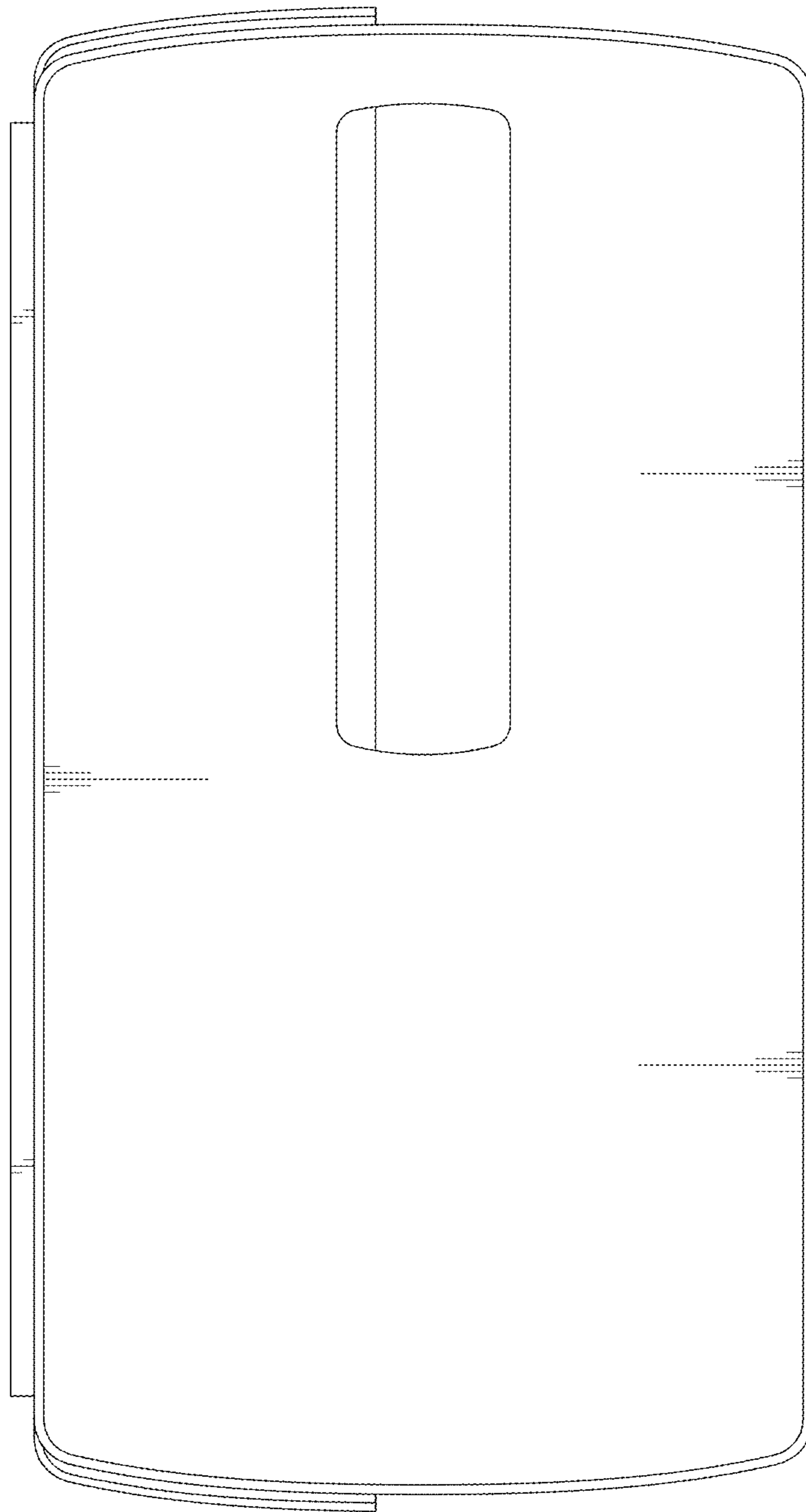


FIG. 3

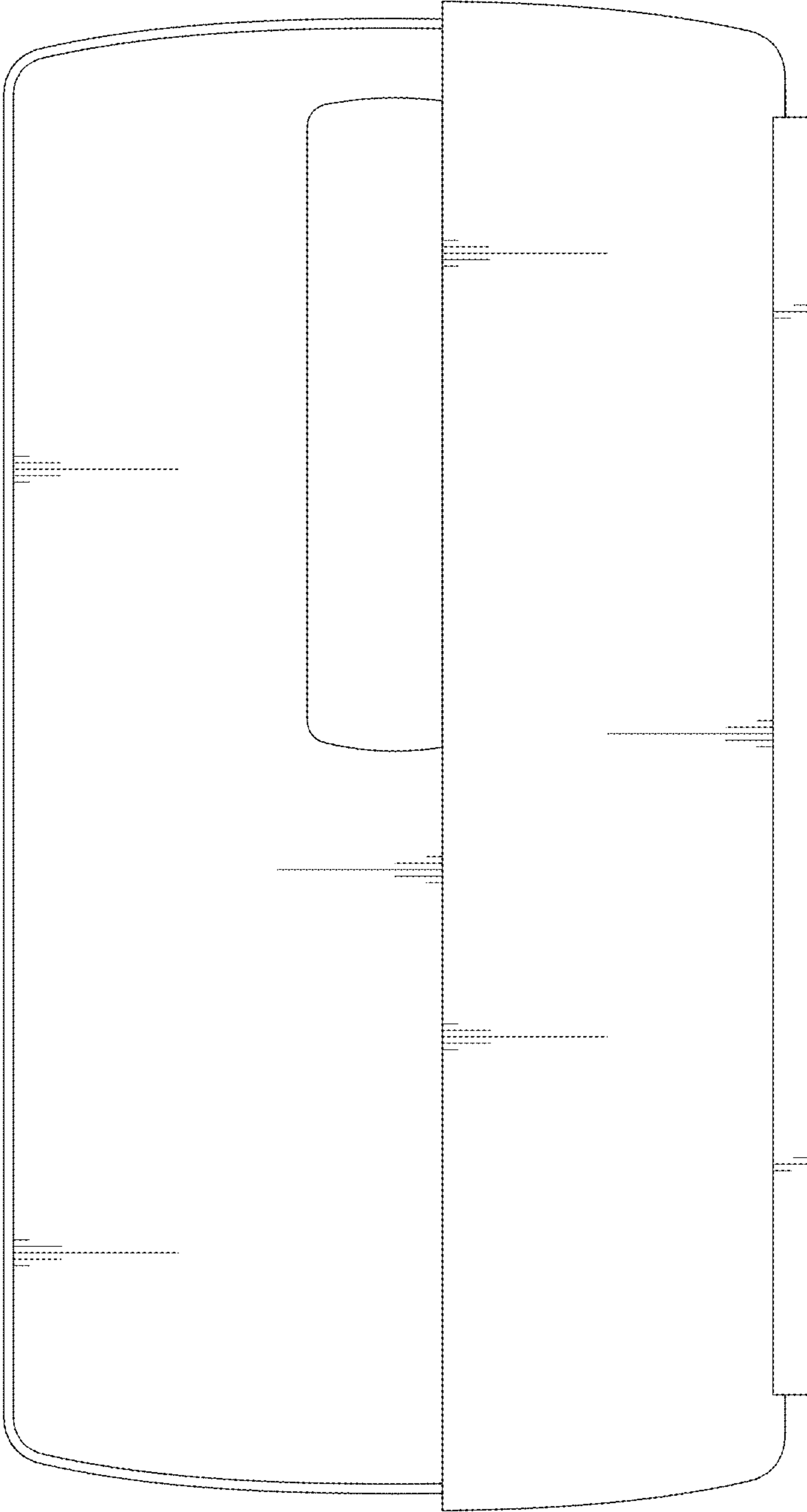


FIG. 4

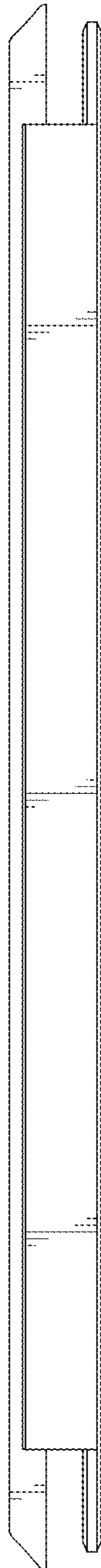


FIG. 5

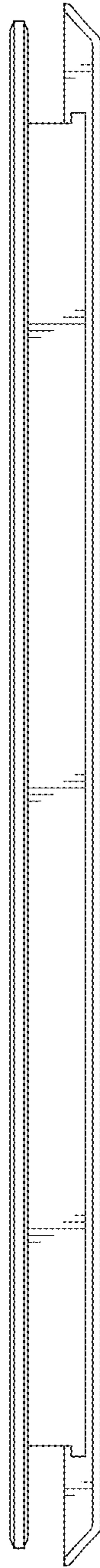


FIG. 6

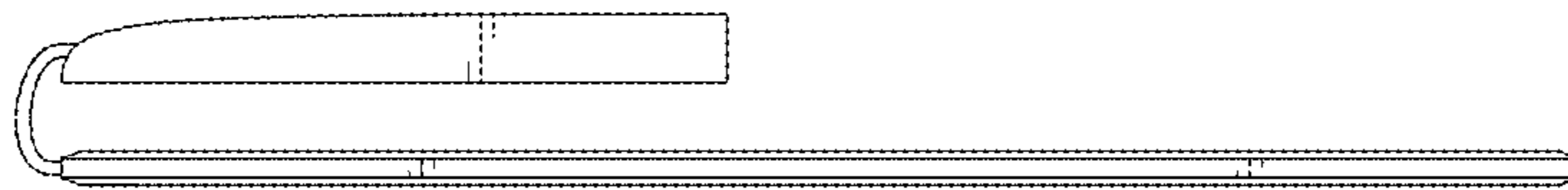


FIG. 7

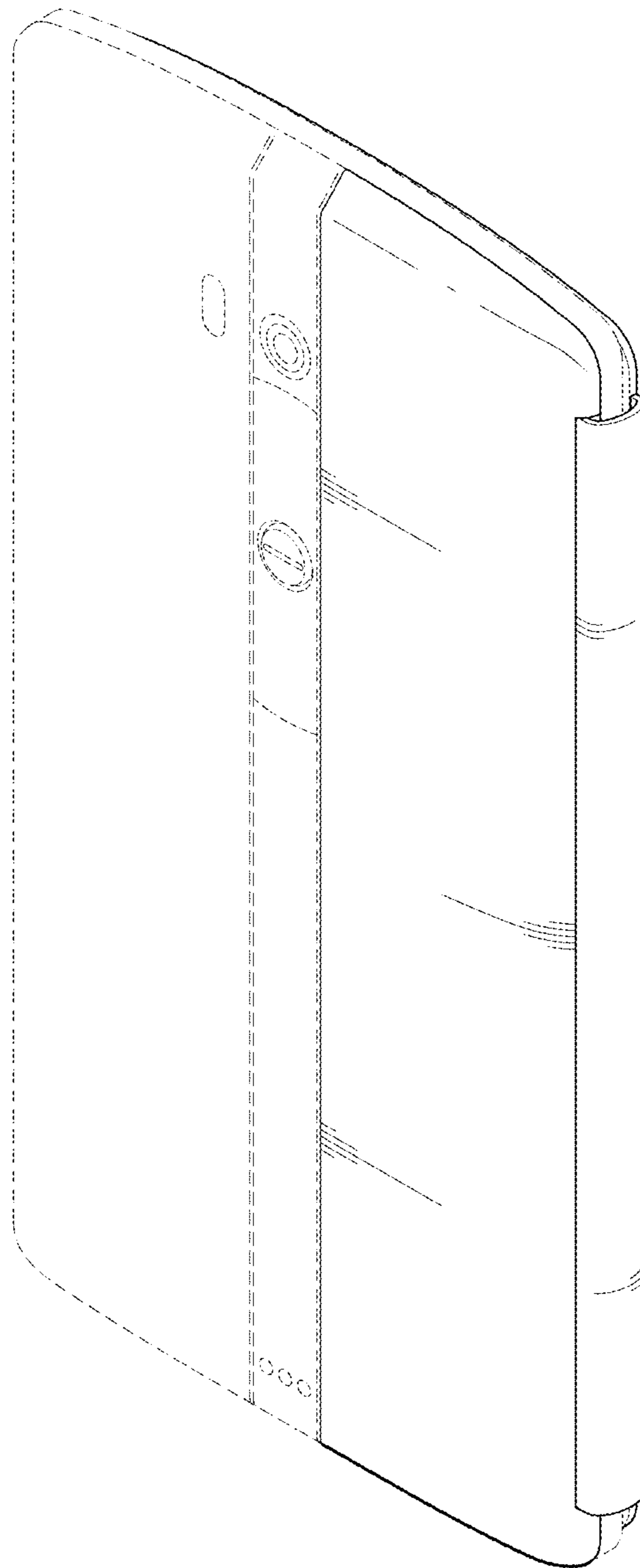


FIG. 8

