



US00D755168S

(12) **United States Design Patent**
Kim

(10) **Patent No.:** **US D755,168 S**

(45) **Date of Patent:** **** May 3, 2016**

(54) **COVER FOR MOBILE PHONE**

(71) Applicant: **Samsung Electronics Co., Ltd.**,
Suwon-si (KR)

(72) Inventor: **Yoon-young Kim**, Seongnam-si (KR)

(73) Assignee: **Samsung Electronics Co., Ltd.**,
Suwon-si (KR)

(**) Term: **14 Years**

(21) Appl. No.: **29/470,212**

(22) Filed: **Oct. 18, 2013**

(30) **Foreign Application Priority Data**

Aug. 30, 2013 (KR) 30-2013-0044828

(51) **LOC (10) Cl.** **14-03**

(52) **U.S. Cl.**
USPC **D14/250**

(58) **Field of Classification Search**
USPC D14/238.1, 250, 440, 203.3–203.7, 217,
D14/240, 248, 251–253, 447, 496, 144, 149,
D14/159, 172, 194, 204, 221, 224.1;
D3/201, 218, 247, 269, 273, 301, 303;
D13/103, 107–108, 119
CPC A45C 1/06; A45C 11/00; A45C 13/02;
A45C 2011/002; A45F 5/02; A45F 2005/026;
A45F 2200/0525; A45F 2200/0516; H04B
1/3888; H04M 1/0283; H04M 1/0202
See application file for complete search history.

(56) **References Cited**

U.S. PATENT DOCUMENTS

D414,033 S * 9/1999 Rohm D3/249
D450,924 S * 11/2001 Leslie D3/247
D568,605 S * 5/2008 Harris et al. D3/218
D570,102 S * 6/2008 Harris et al. D3/218

D570,103 S * 6/2008 Harris et al. D3/218
D582,405 S * 12/2008 Andre et al. D3/299
D619,806 S * 7/2010 Franks D3/247
D621,396 S * 8/2010 Lee et al. D14/252
D641,348 S * 7/2011 Kim et al. D14/250
D652,829 S * 1/2012 Kim et al. D14/250
D657,354 S * 4/2012 Kim D14/250
D670,293 S * 11/2012 Shimizu et al. D14/440
D677,668 S * 3/2013 Phillips et al. D14/440
D678,291 S * 3/2013 Phillips et al. D14/440
D698,773 S * 2/2014 Wildner D14/250
D702,673 S * 4/2014 Murchison et al. D14/250
D711,861 S * 8/2014 Mei D14/250
D724,092 S * 3/2015 Zangari et al. D14/440
D727,332 S * 4/2015 Hirsch D14/440
D729,522 S * 5/2015 Kim D3/303
2003/0150756 A1 * 8/2003 Kajiya 206/320
2012/0043234 A1 * 2/2012 Westrup 206/320
2012/0043247 A1 * 2/2012 Westrup 206/472
2013/0256160 A1 * 10/2013 Ore-Yang 206/37
2015/0001105 A1 * 1/2015 Nyholm et al. 206/45.2

* cited by examiner

Primary Examiner — Carla Jobe Wright
(74) *Attorney, Agent, or Firm* — NSIP Law

(57) **CLAIM**
The ornamental design for a cover for mobile phone, as shown and described.

DESCRIPTION

FIG. 1 is a front perspective view of a cover for mobile phone showing my new design;
FIG. 2 is a front view thereof;
FIG. 3 is a rear view thereof;
FIG. 4 is a left-side view thereof;
FIG. 5 is a right-side view thereof;
FIG. 6 is a top view thereof; and,
FIG. 7 is a bottom view thereof.
The broken lines in FIG. 3 depict unclaimed environment and form no part of the claimed design.

1 Claim, 5 Drawing Sheets

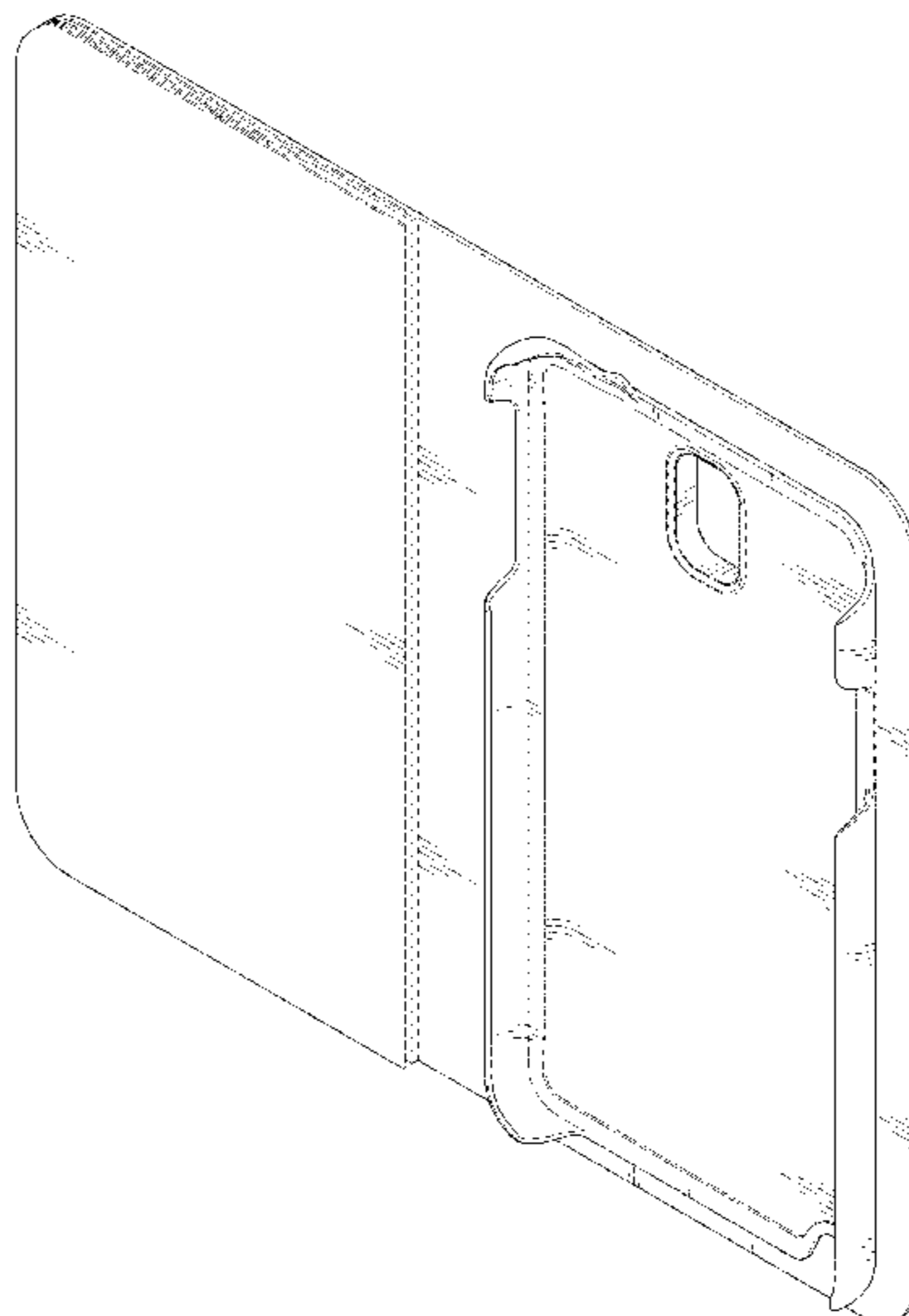
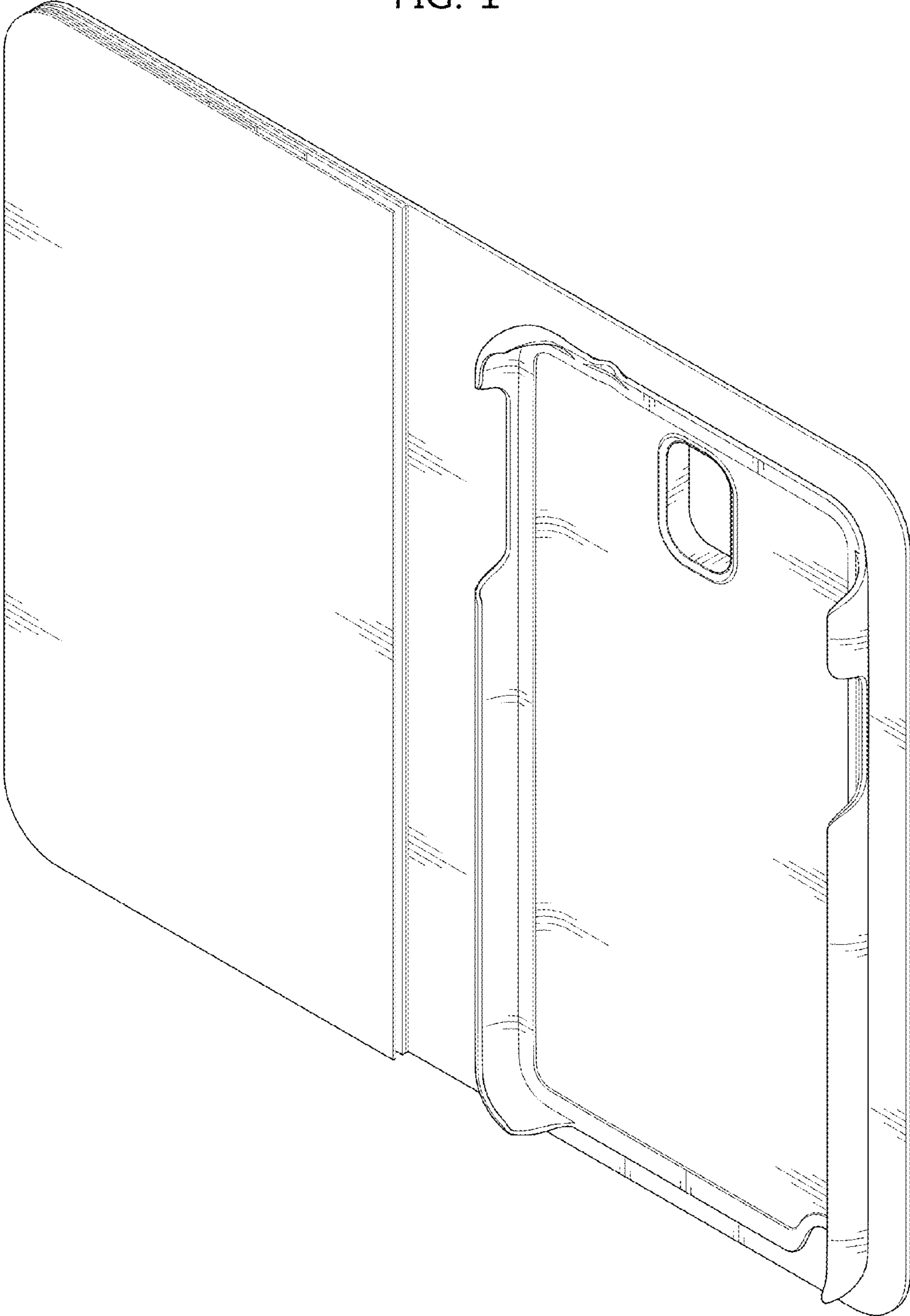


FIG. 1



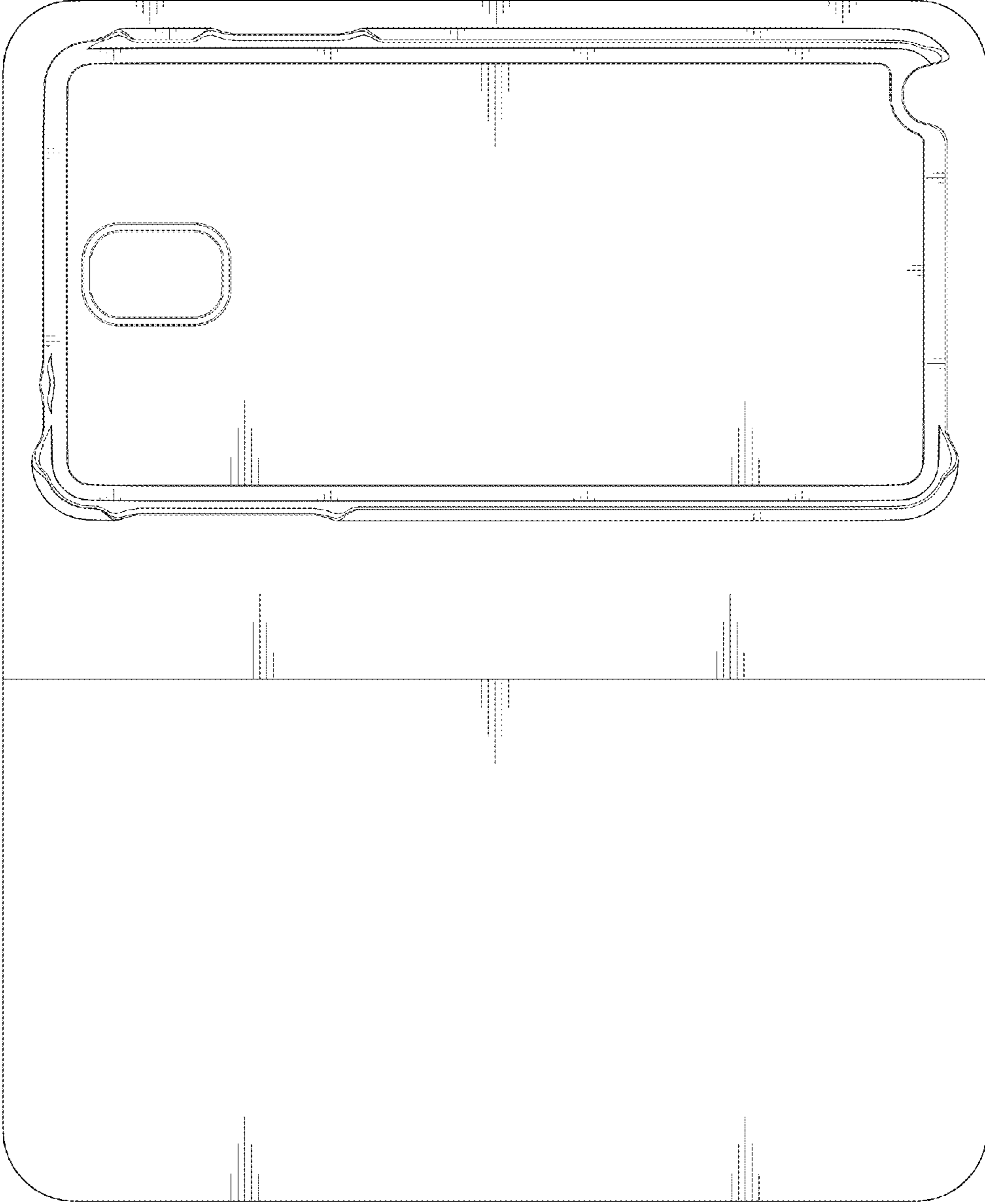


FIG. 2

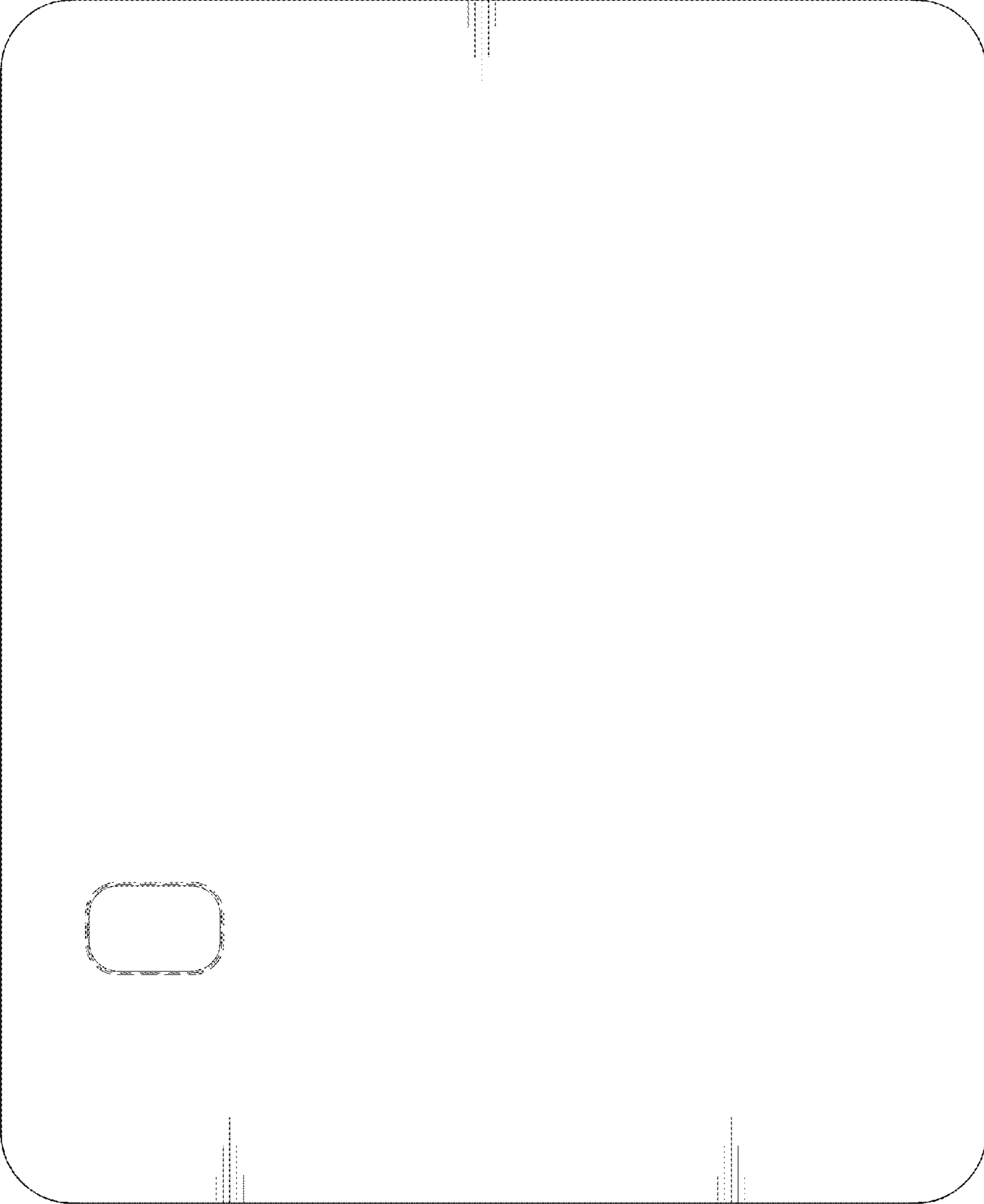


FIG. 3

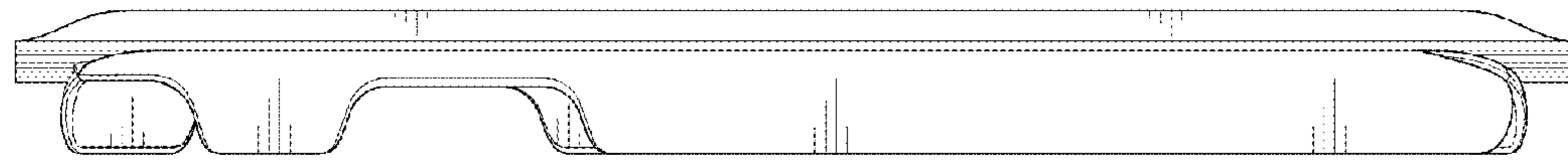


FIG. 5

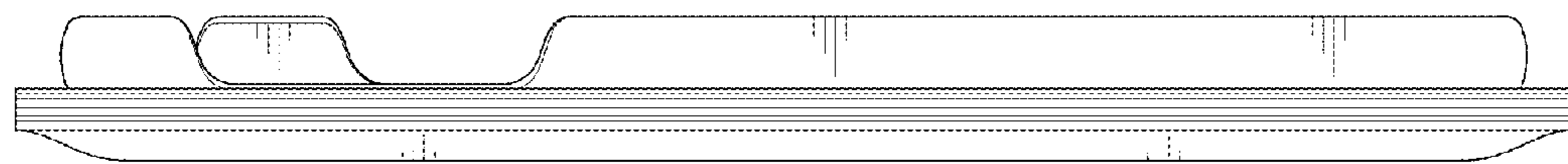


FIG. 4

FIG. 6

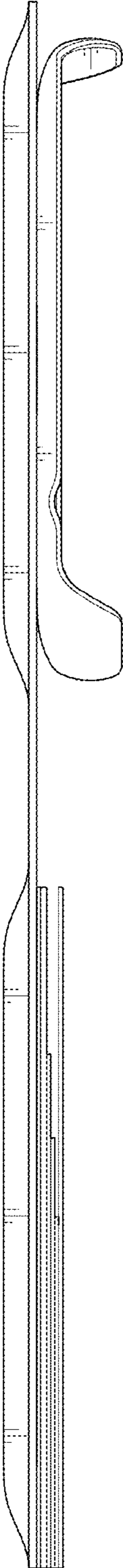


FIG. 7

