



US00D755164S

(12) **United States Design Patent**
Lee et al.

(10) **Patent No.:** **US D755,164 S**
(45) **Date of Patent:** **** May 3, 2016**

(54) **STAND FOR TELEVISION**

(56) **References Cited**

(71) Applicant: **Samsung Electronics Co., Ltd.**,
Suwon-si, Gyeonggi-do (KR)

U.S. PATENT DOCUMENTS

(72) Inventors: **Kyu Bok Lee**, Seoul (KR); **Sung Jin Ann**, Seoul (KR)

D543,208	S	*	5/2007	Kita	D14/451
D567,197	S	*	4/2008	Kita	D14/126
D660,293	S	*	5/2012	Itou et al.	D14/239
D671,923	S	*	12/2012	Seong et al.	D14/239
D680,508	S	*	4/2013	Kim et al.	D14/126
D719,142	S	*	12/2014	Lee et al.	D14/239
D722,068	S	*	2/2015	Jung et al.	D14/451

(73) Assignee: **Samsung Electronics Co., Ltd.**,
Suwon-si (KR)

* cited by examiner

(**) Term: **14 Years**

Primary Examiner — Randall Gholson

(21) Appl. No.: **29/519,030**

(74) *Attorney, Agent, or Firm* — Ladas & Parry LLP

(22) Filed: **Mar. 2, 2015**

(57) **CLAIM**

We claim the ornamental design for stand for television, as shown and described.

(30) **Foreign Application Priority Data**

DESCRIPTION

Sep. 4, 2014 (KR) 30-2014-0043426

(51) **LOC (10) Cl.** **14-03**

(52) **U.S. Cl.**
USPC **D14/239**

(58) **Field of Classification Search**
USPC D14/125–134, 239, 371, 136, 374–377,
D14/440, 450, 448, 336, 342, 159; 312/7.2;
348/836, 838, 180, 184, 325, 739;
248/917–924, 465; 345/104, 133, 156,
345/168, 87, 173; D21/329, 515, 577, 622,
D21/333, 433, 448, 452, 450, 331, 505;
D10/15, 26; 446/484, 175, 356;
D6/477, 479, 300; D24/185; D34/14
CPC ... G06F 1/1601; G06F 1/1643; H05K 5/0004;
H05K 5/0017; H05K 5/02; H05K 5/0217
See application file for complete search history.

FIG. 1 is the front perspective view of stand for television showing our new design;
FIG. 2 is the front view thereof;
FIG. 3 is the rear view thereof;
FIG. 4 is the left-side view thereof;
FIG. 5 is the right-side view thereof;
FIG. 6 is the top plan view thereof,
FIG. 7 is the bottom plan view thereof;
FIG. 8 is the rear perspective view thereof; and,
FIG. 9 is a front perspective view thereof shown in an example environment.
The broken lines in the drawing show unclaimed environment only and form no part of the claimed design.

1 Claim, 7 Drawing Sheets

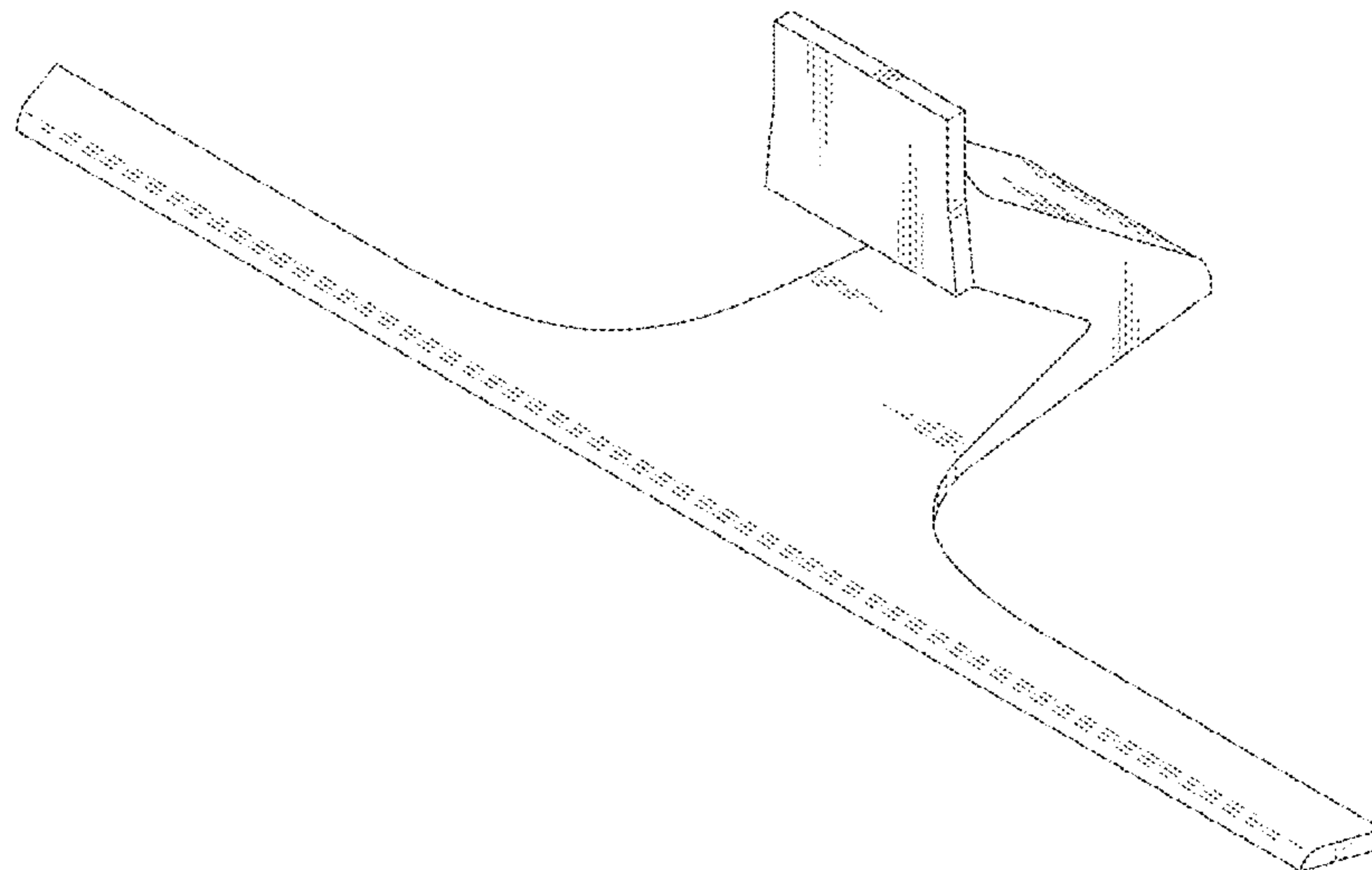


FIG. 1

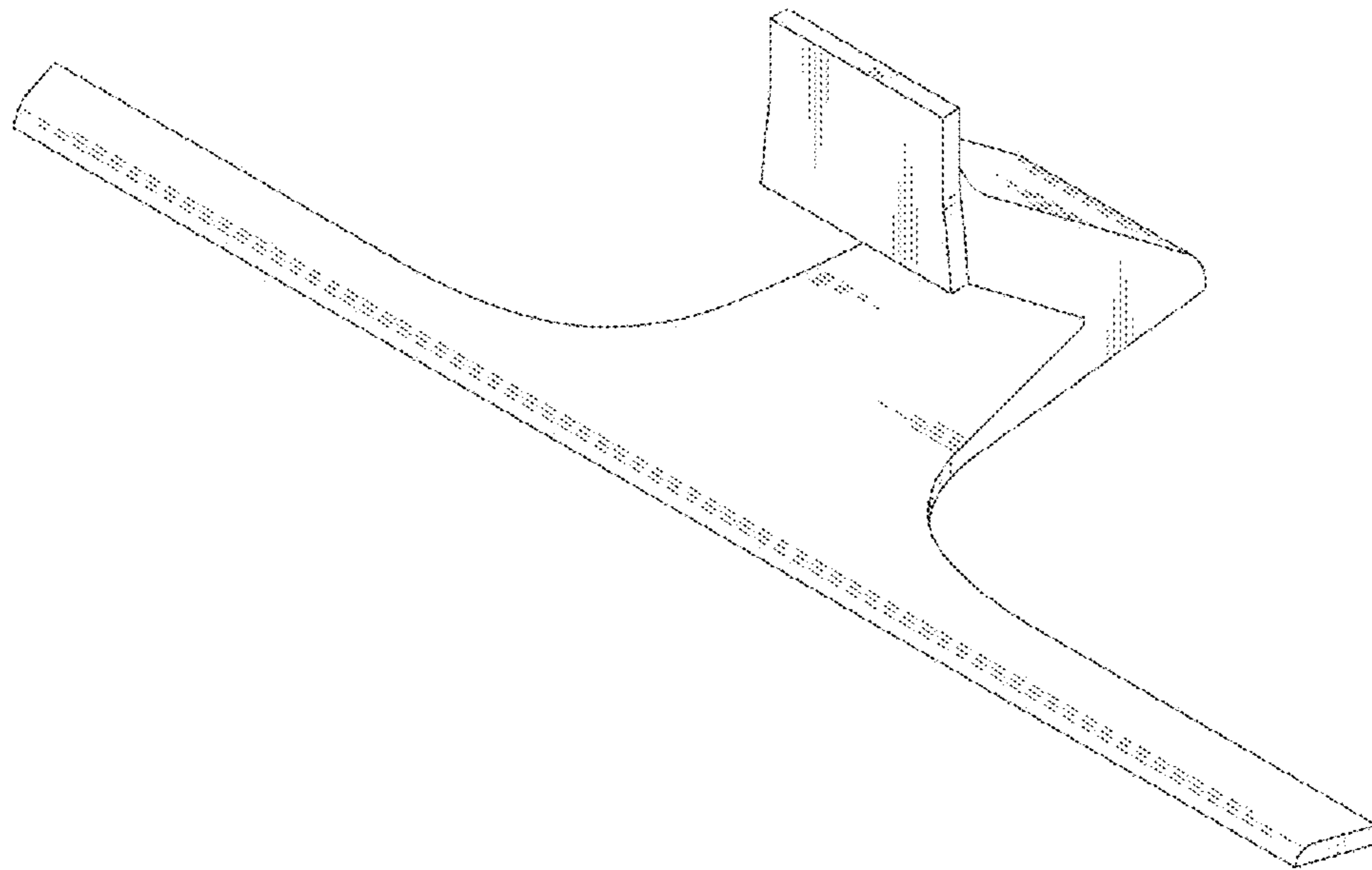


FIG. 2

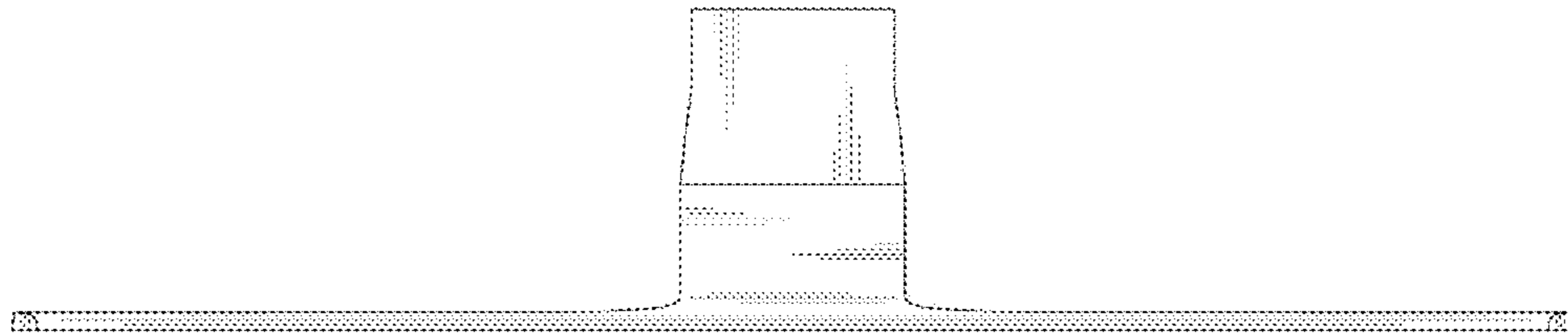


FIG. 3

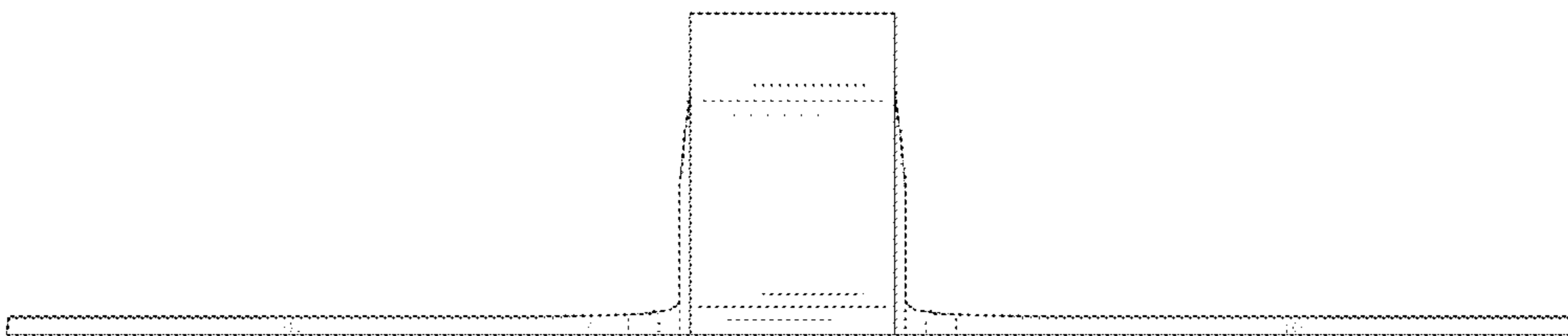


FIG. 4

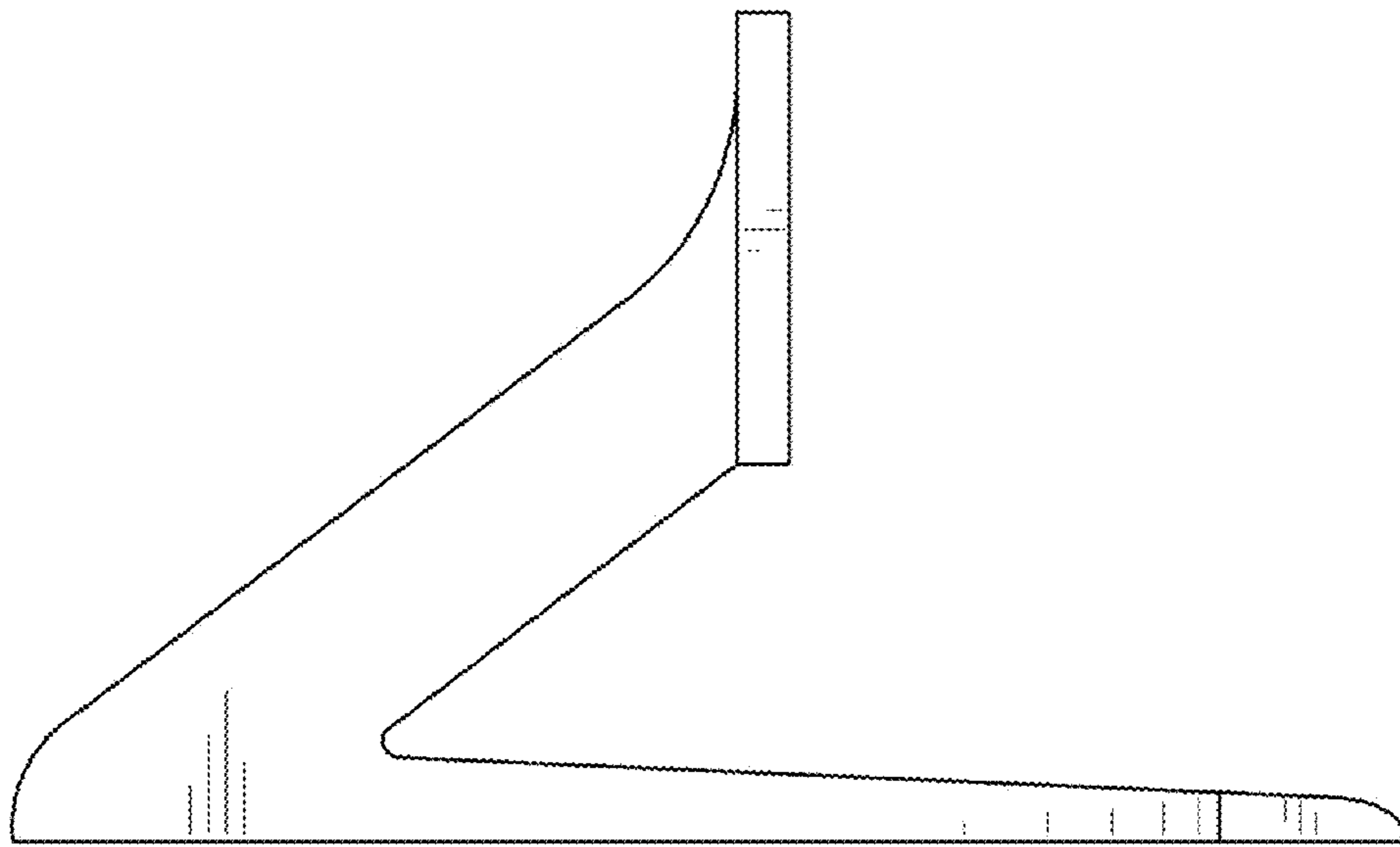


FIG. 5

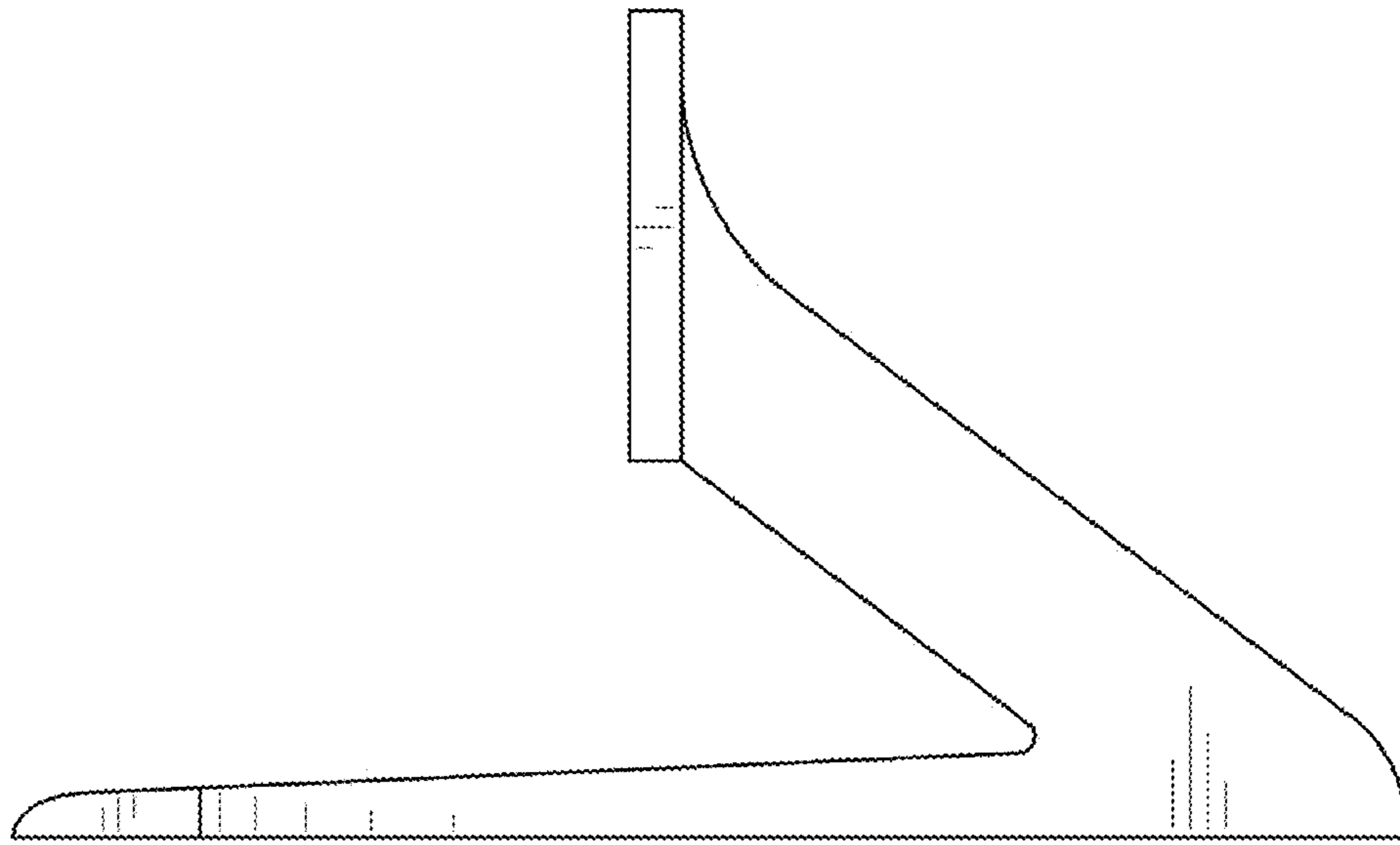


FIG. 6

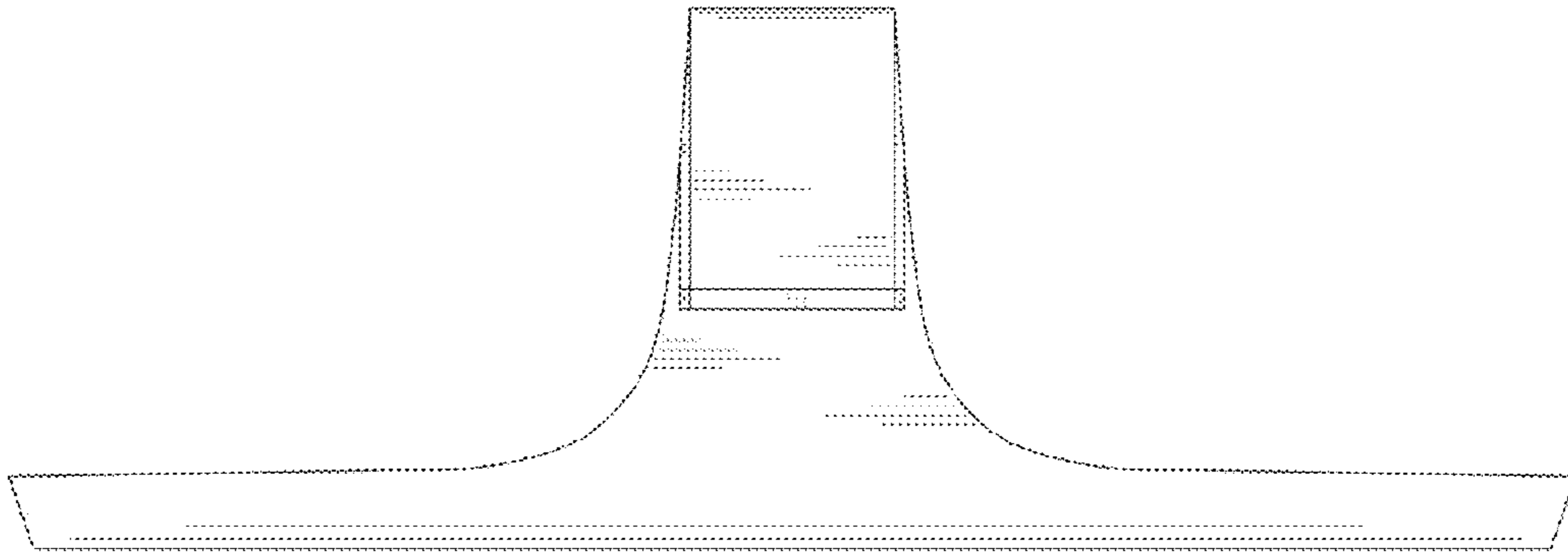


FIG. 7

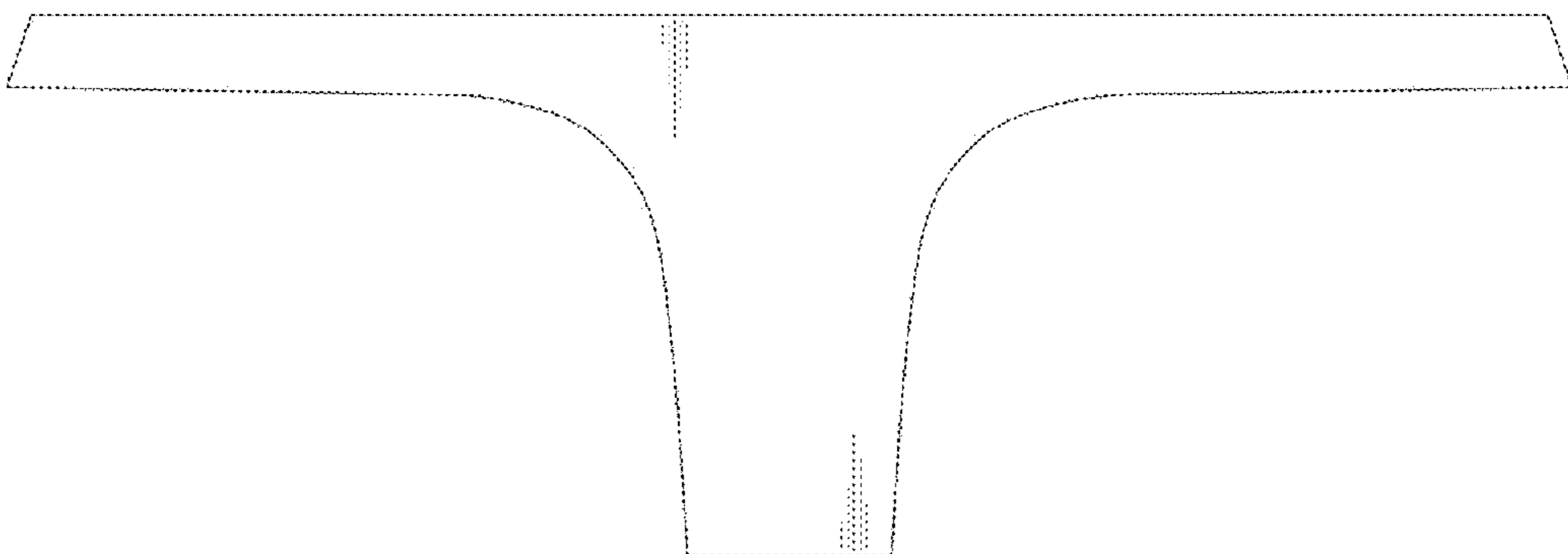


FIG. 8

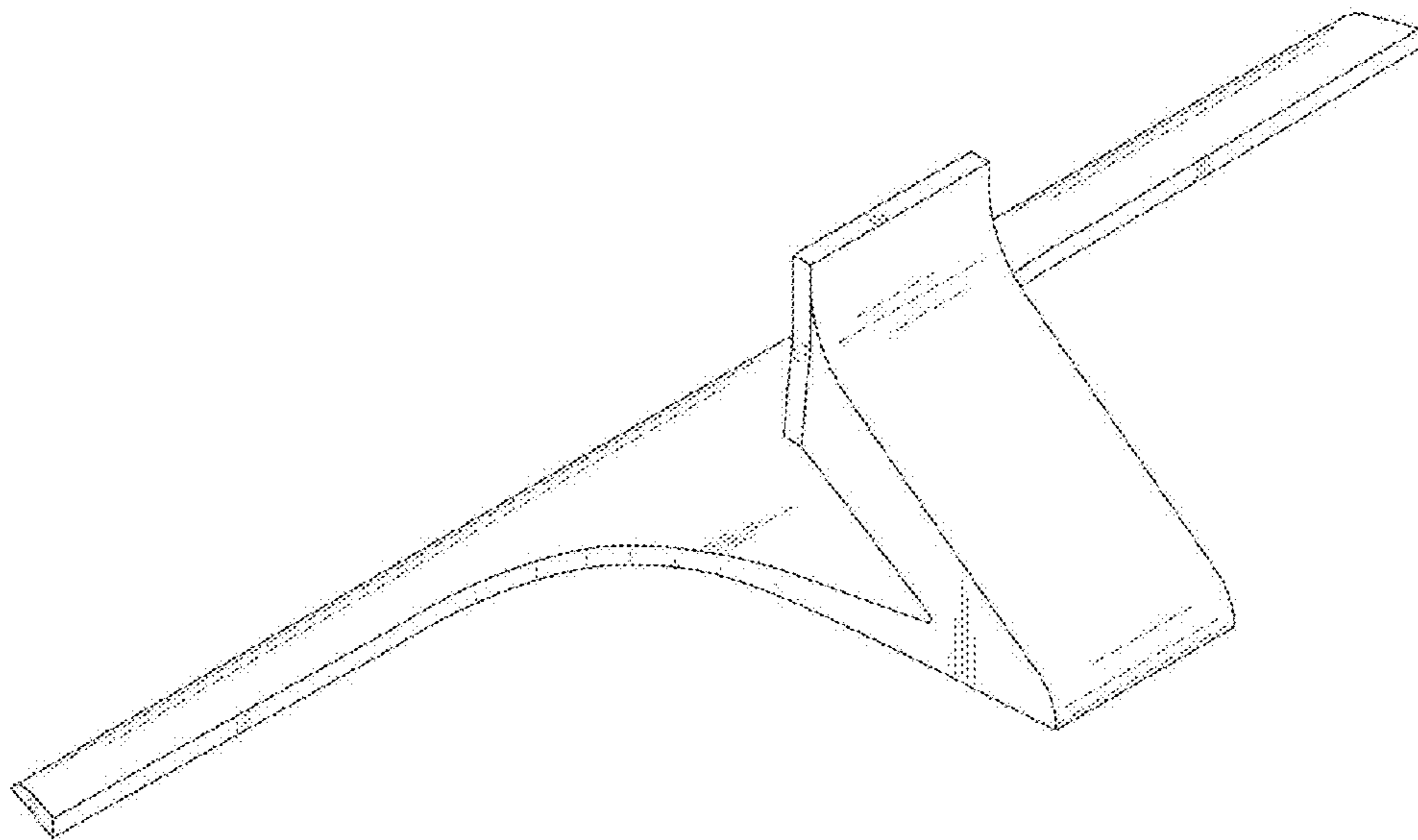


FIG. 9

