



US00D755162S

(12) **United States Design Patent**  
**He**

(10) **Patent No.:** **US D755,162 S**

(45) **Date of Patent:** **\*\* May 3, 2016**

(54) **BLUETOOTH SPEAKER**

(71) Applicant: **Xihua He**, Shenzhen (CN)

(72) Inventor: **Xihua He**, Shenzhen (CN)

(\*\*) Term: **14 Years**

(21) Appl. No.: **29/521,119**

(22) Filed: **Mar. 19, 2015**

(51) **LOC (10) Cl.** ..... **14-03**

(52) **U.S. Cl.**  
USPC ..... **D14/216**

(58) **Field of Classification Search**

USPC ..... D14/172, 194–196, 204, 207, 210–216;  
181/143, 144, 147, 148, 150, 153, 157,  
181/198, 199; 381/300–303, 306, 332, 333,  
381/336, 345, 361–364, 386–388  
CPC .... B60R 11/0217; G06F 1/1688; G10K 9/22;  
G10K 11/004; H03F 1/327; H04M 1/03;  
H04M 1/035; H04N 5/642; H04N 21/4852;  
H04R 1/02; H04R 1/06; H04R 1/021; H04R  
1/025; H04R 1/026; H04R 1/028; H04R  
1/105; H04R 1/323; H04R 1/403; H04R  
1/2803; H04R 1/2834; H04R 5/02; H04R  
7/20; H04R 9/06; H04R 9/025; H04R  
2201/021; H04R 2400/00; H04R 2400/07;  
H04R 2499/11; H04R 2499/13; H04R  
2499/15; H04S 3/00; H04S 7/30

See application file for complete search history.

(56) **References Cited**

U.S. PATENT DOCUMENTS

D74,114 S *	12/1927	Lum	.....	D14/211
D494,566 S *	8/2004	Allen	.....	D14/215
D515,556 S *	2/2006	Allen	.....	D14/215
D557,208 S *	12/2007	Solland	.....	D13/108
D727,297 S *	4/2015	Valeur	.....	D14/216
D735,694 S *	8/2015	Allen	.....	D14/211
D738,353 S *	9/2015	Slaato	.....	D14/216

\* cited by examiner

*Primary Examiner* — Keli L Hill

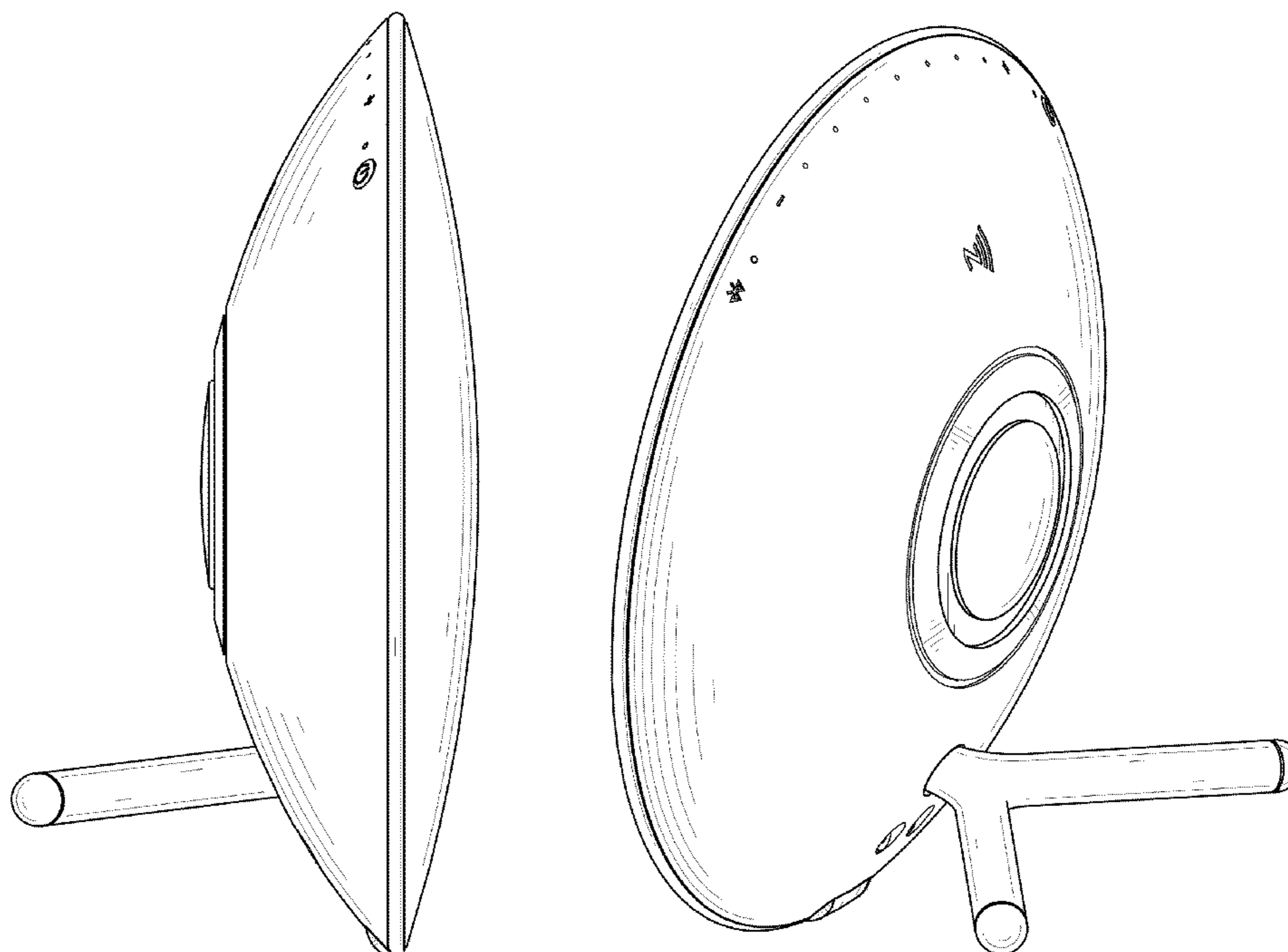
(57) **CLAIM**

The ornamental design for a bluetooth speaker, as shown.

**DESCRIPTION**

FIG. 1 is a front elevational view of a bluetooth speaker showing my new design;  
FIG. 2 is a rear elevational view thereof;  
FIG. 3 is a left side view thereof;  
FIG. 4 is a right side view thereof;  
FIG. 5 is a top plan view thereof;  
FIG. 6 is a bottom plan view thereof;  
FIG. 7 is a perspective view thereof; and,  
FIG. 8 is another perspective view thereof.

**1 Claim, 7 Drawing Sheets**



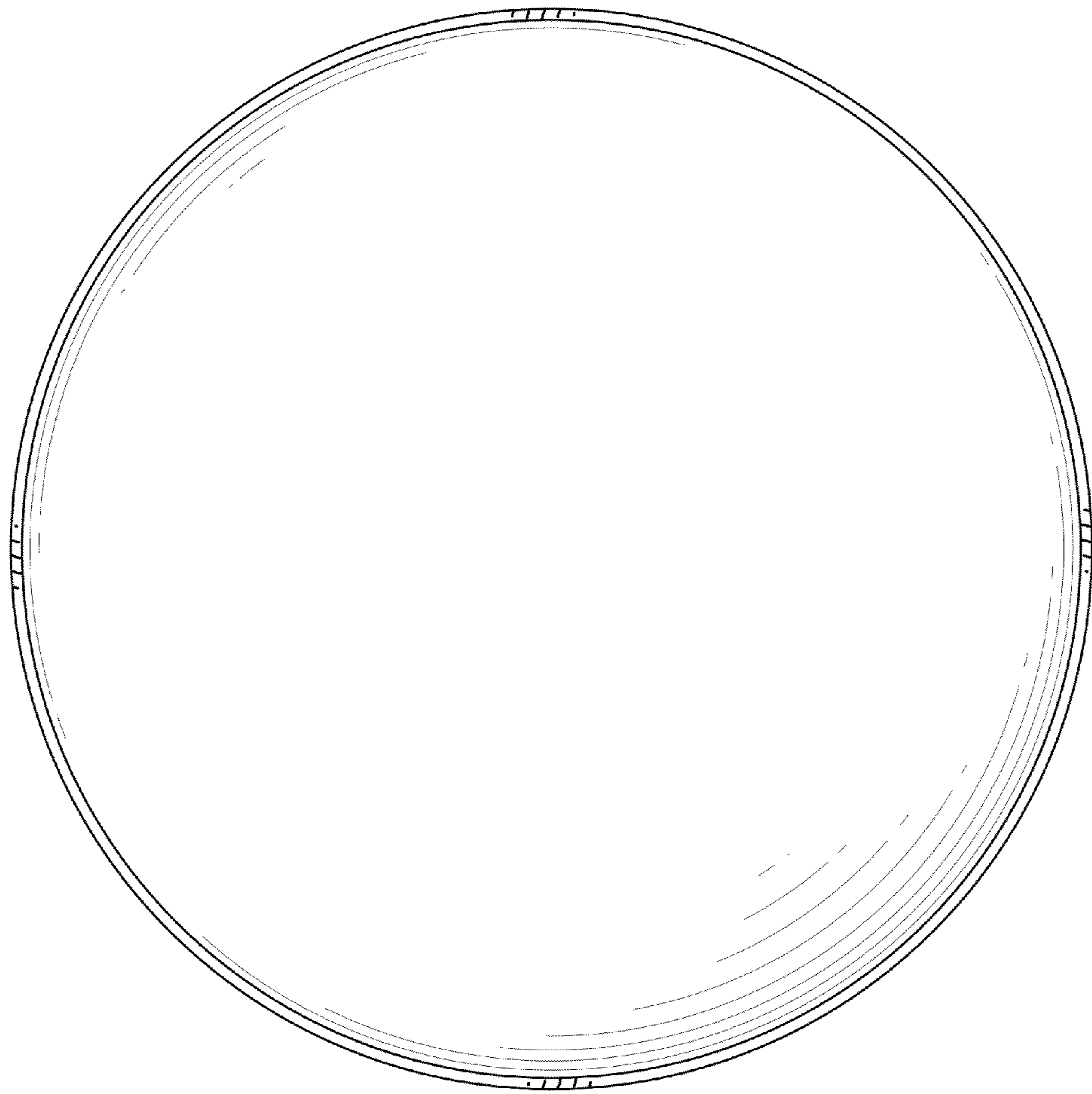


FIG. 1

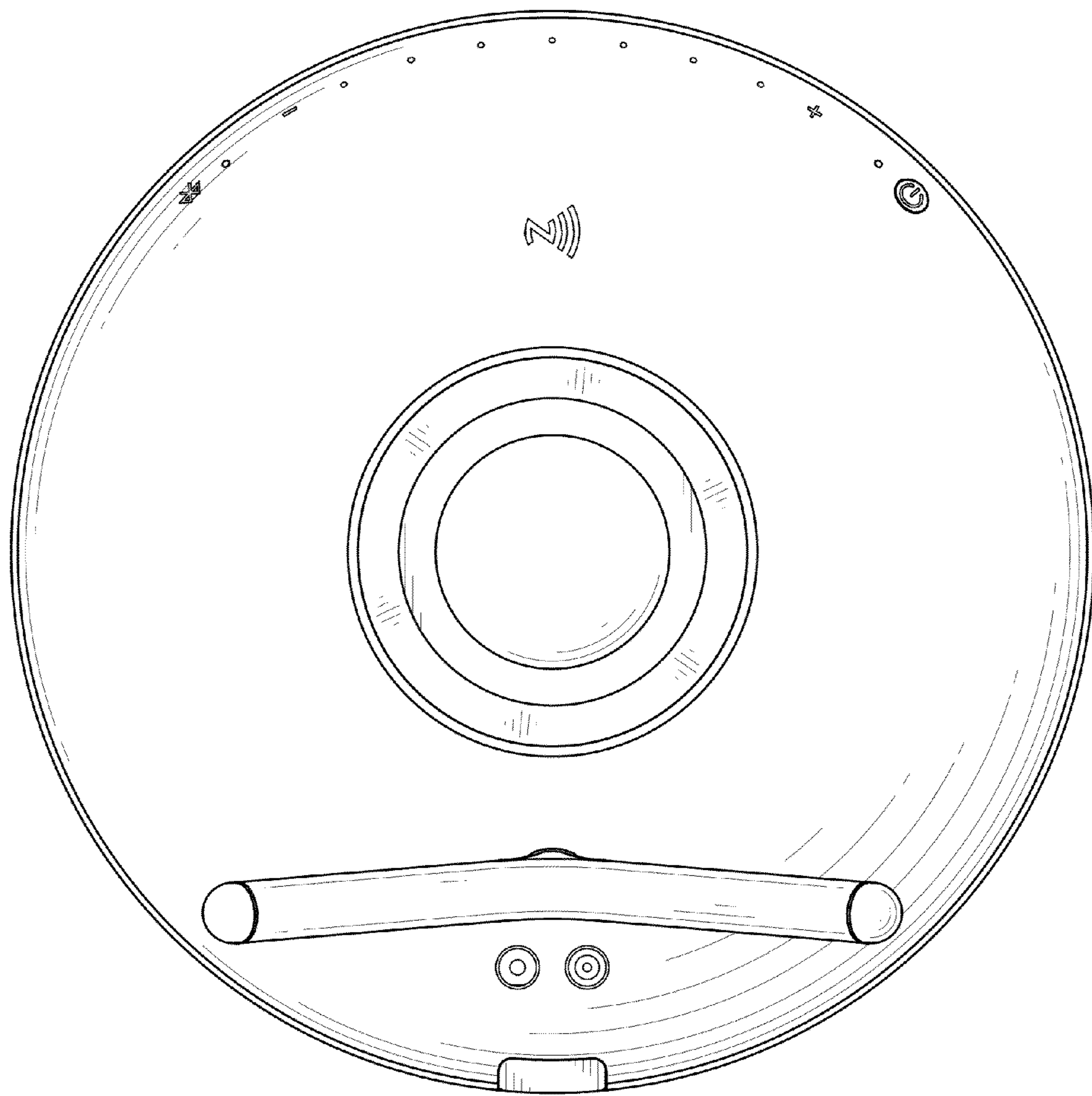


FIG. 2

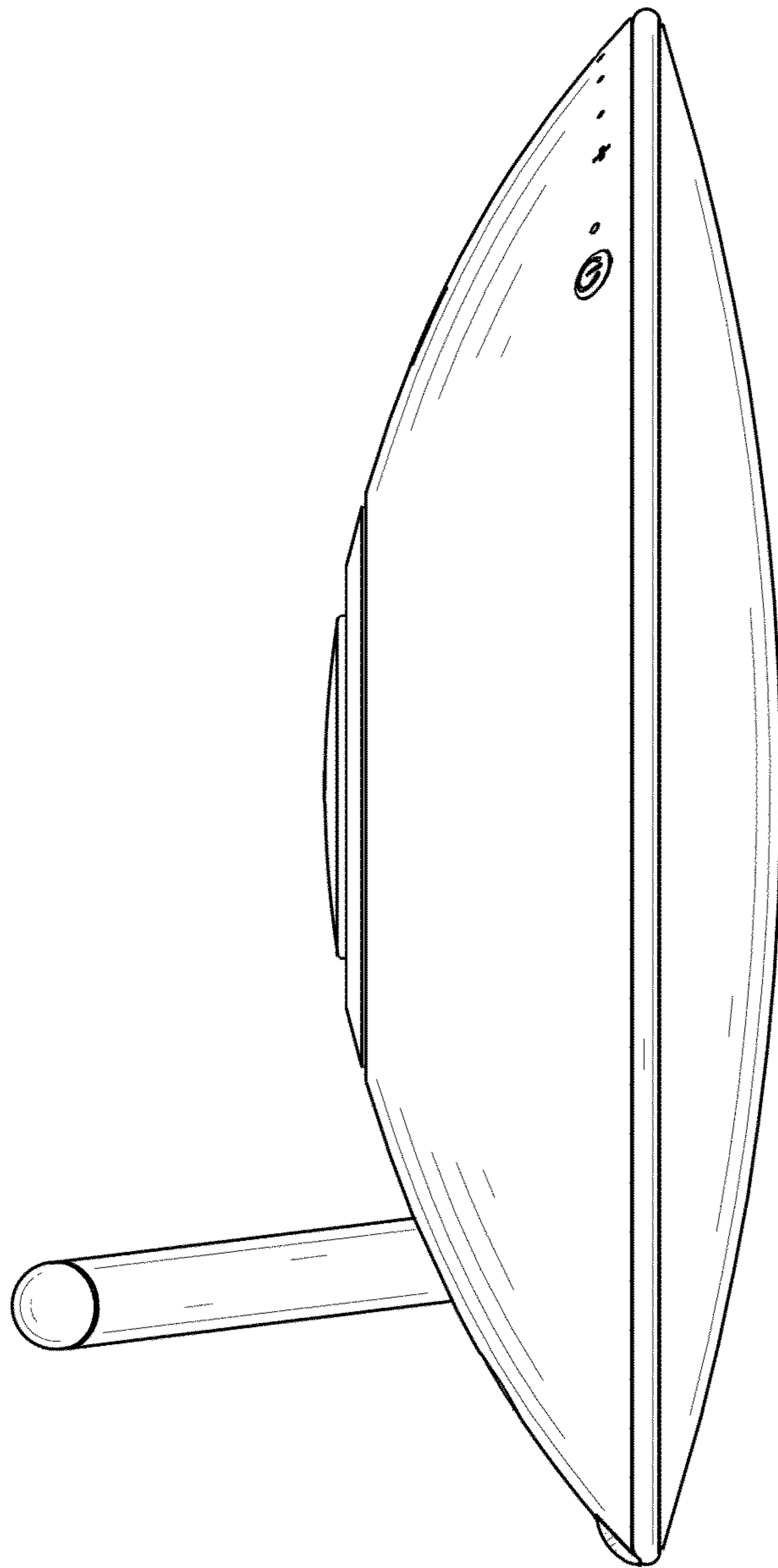


FIG. 3

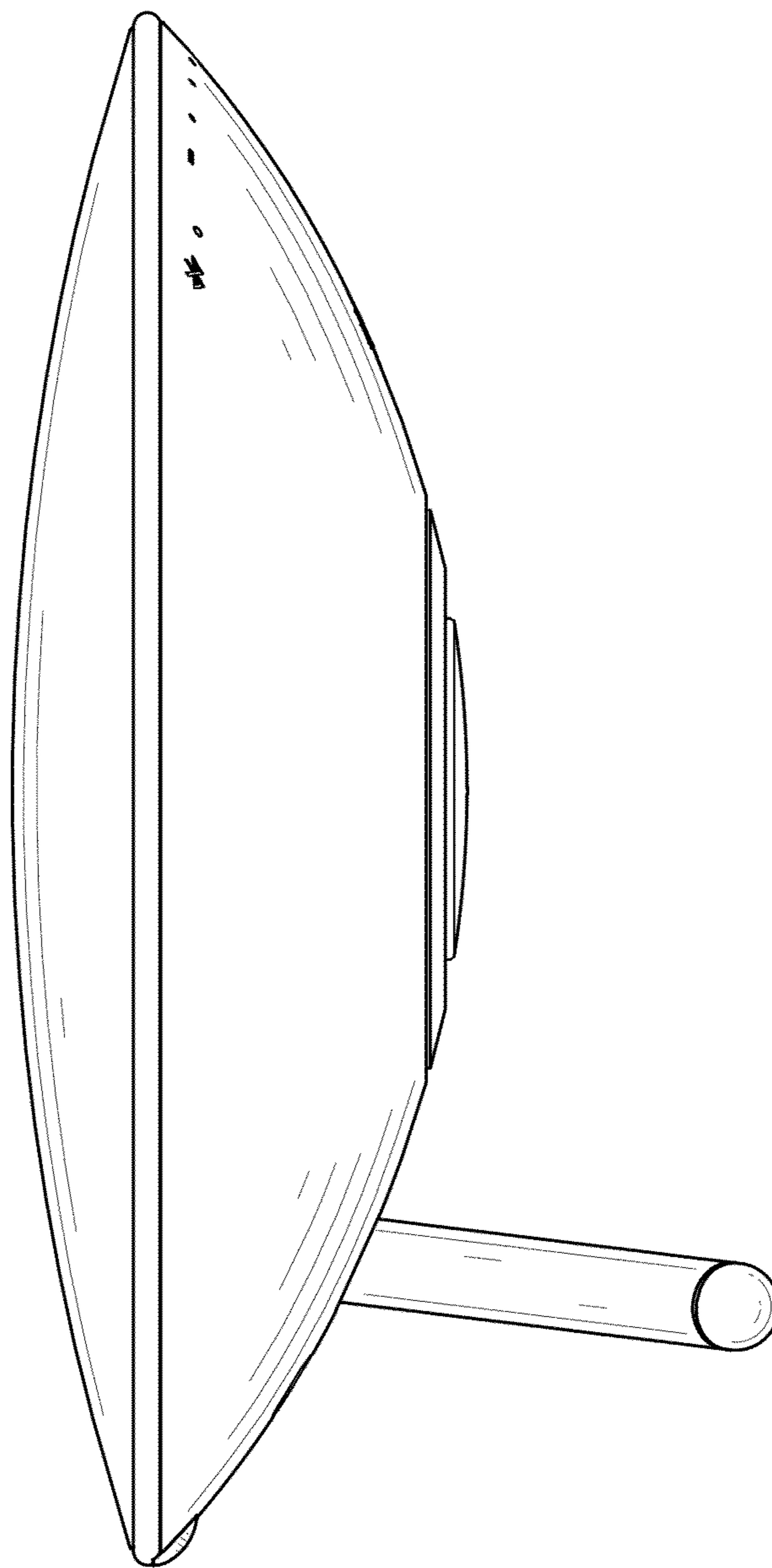


FIG. 4

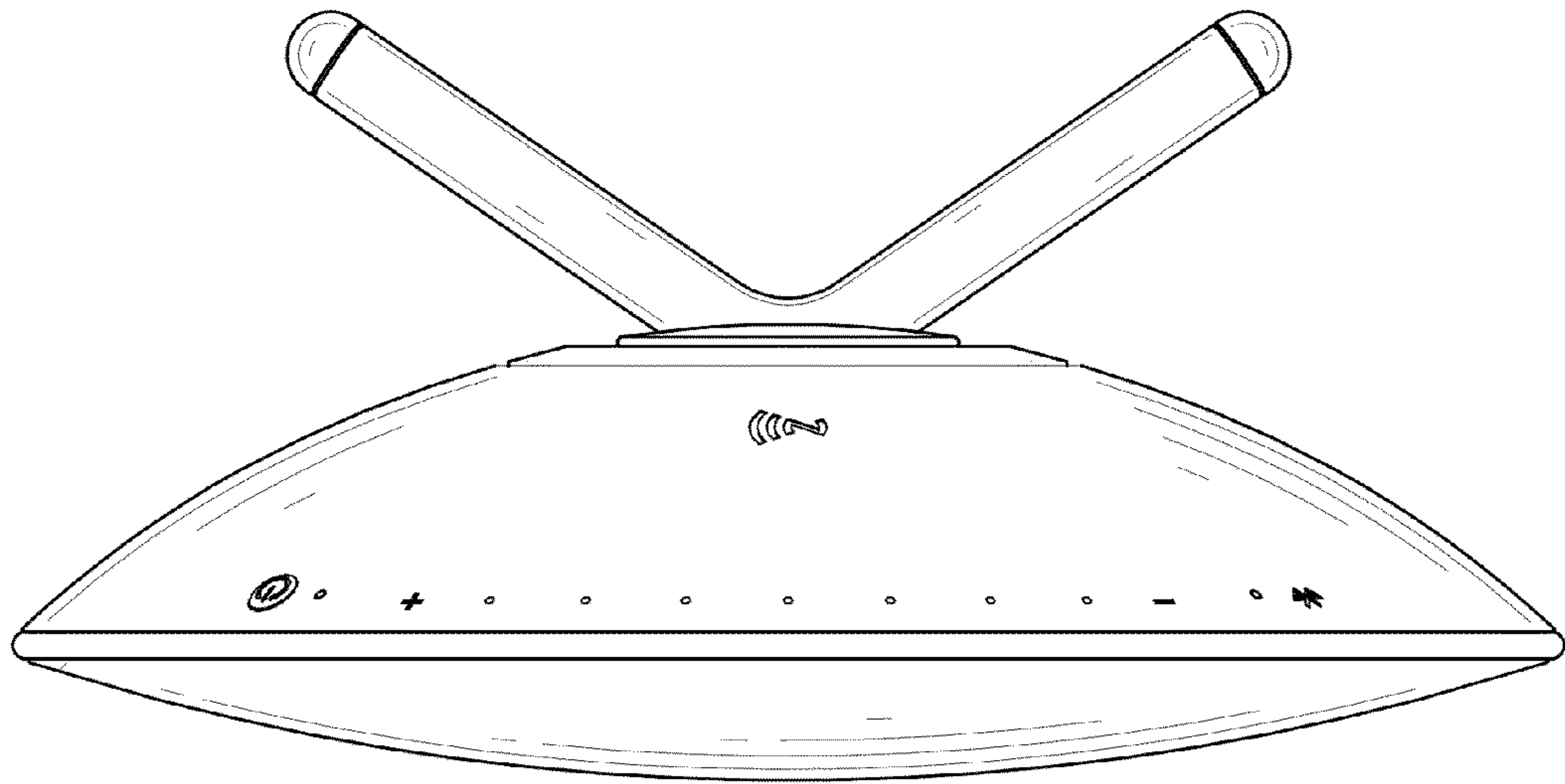


FIG. 5

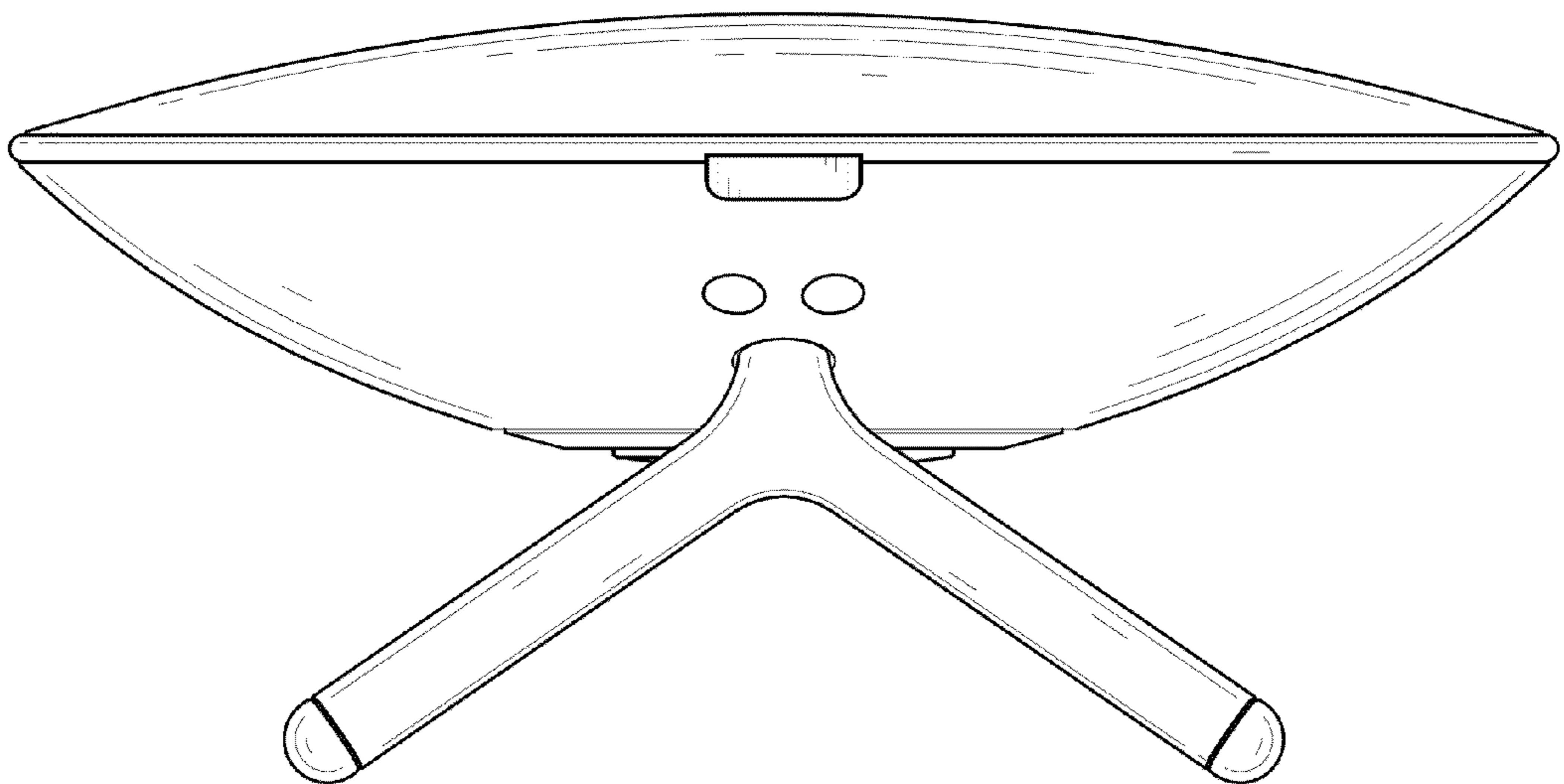


FIG. 6

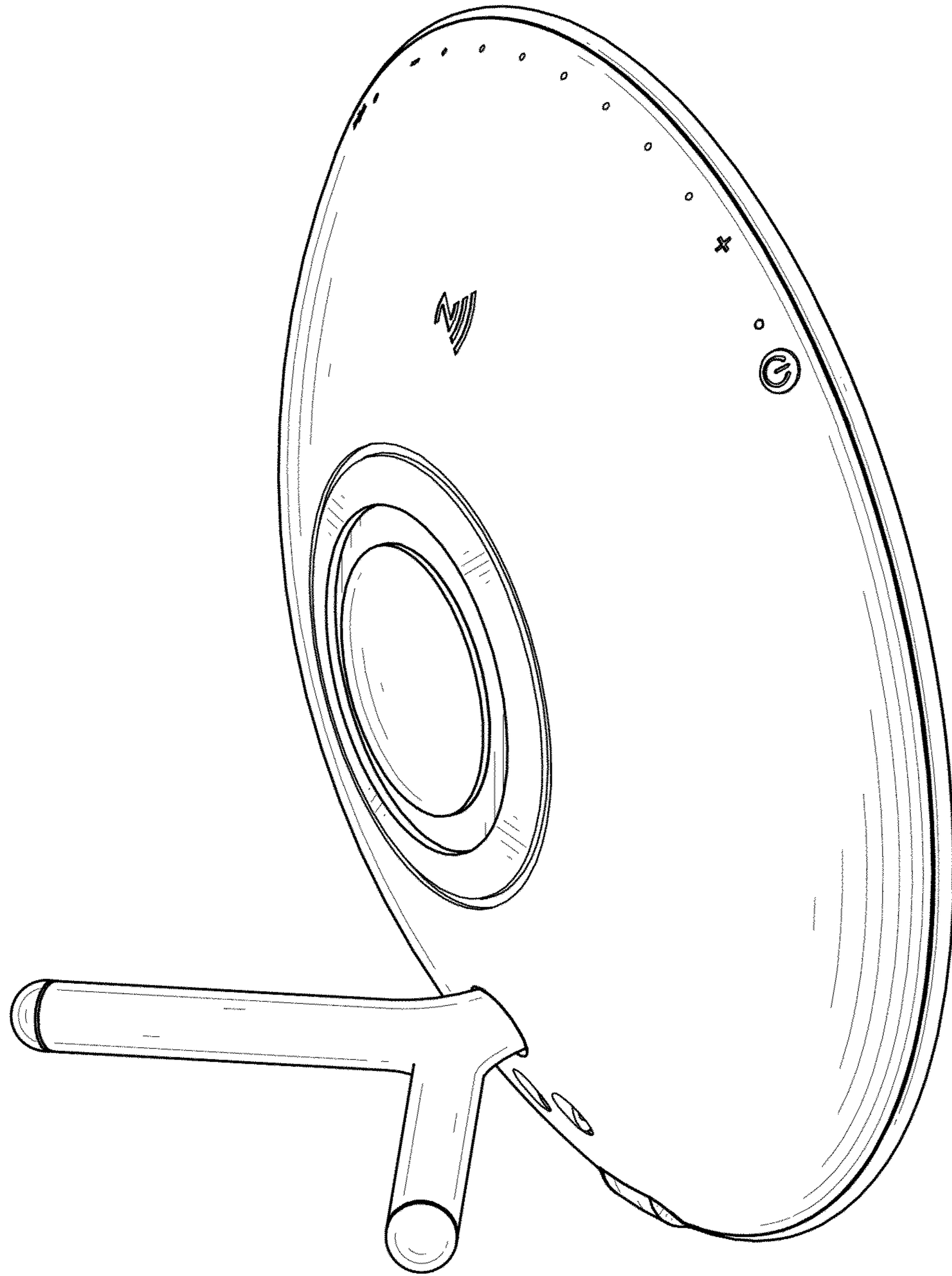


FIG. 7

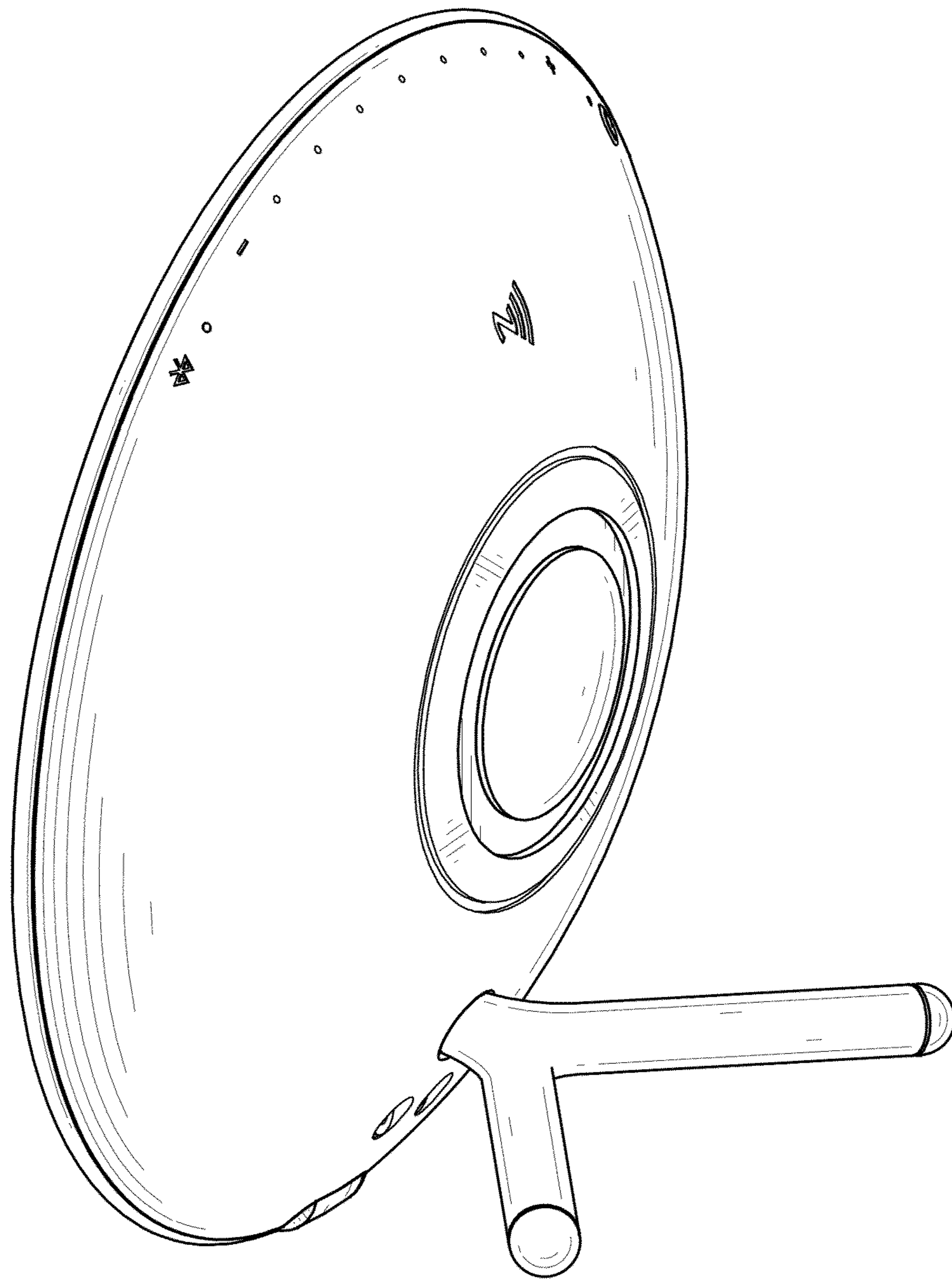


FIG. 8