



US00D755161S

(12) **United States Design Patent**  
**Brunner et al.**

(10) **Patent No.:** **US D755,161 S**  
(45) **Date of Patent:** **\*\* May 3, 2016**

(54) **AUDIO SPEAKER SYSTEM**

H04R 2499/11; H04R 2499/13; H04R 2499/15; H04S 3/00; H04S 7/30

(71) Applicant: **Apple Inc.**, Cupertino, CA (US)

See application file for complete search history.

(72) Inventors: **Robert Brunner**, San Francisco, CA (US); **Eric Fields**, San Francisco, CA (US); **Xuan Shu**, San Francisco, CA (US)

(56) **References Cited**

U.S. PATENT DOCUMENTS

4,388,492 A	6/1983	Sato
D352,715 S	11/1994	Tsing
5,546,468 A	8/1996	Beard
D382,563 S	8/1997	Shiono
D471,534 S	3/2003	Suzuki et al.
7,095,867 B2	8/2006	Schul et al.
D553,121 S	10/2007	Gondo et al.
D555,636 S	11/2007	Chen et al.
D556,732 S	12/2007	Chan
D566,730 S	4/2008	Lee
D572,702 S	7/2008	Bart
D573,579 S	7/2008	Yamaguchi
D583,360 S	12/2008	Gredler
D587,675 S	3/2009	Xie
D599,782 S	9/2009	Tse

(Continued)

*Primary Examiner* — Keli L Hill

(74) *Attorney, Agent, or Firm* — Sterne, Kessler, Goldstein & Fox P.L.L.C.

(73) Assignee: **Apple Inc.**, Cupertino, CA (US)

(\*\*) Term: **14 Years**

(21) Appl. No.: **29/493,898**

(22) Filed: **Jun. 13, 2014**

**Related U.S. Application Data**

(62) Division of application No. 29/458,750, filed on Jun. 21, 2013, now Pat. No. Des. 709,861, which is a division of application No. 29/410,580, filed on Jan. 9, 2012, now Pat. No. Des. 687,016.

(51) **LOC (10) Cl.** ..... **14-03**

(52) **U.S. Cl.**  
USPC ..... **D14/216**

(58) **Field of Classification Search**

USPC ..... D14/172, 204, 207, 210-216; 181/143, 181/144, 147, 148, 150, 153, 157, 198, 181/199; 381/300-303, 306, 332, 333, 336, 381/345, 361-364, 386-388  
CPC .... B60R 11/0217; G06F 1/1688; G10K 9/22; G10K 11/004; H03F 1/327; H04M 1/03; H04M 1/035; H04N 5/642; H04N 21/4852; H04R 1/02; H04R 1/06; H04R 1/021; H04R 1/025; H04R 1/026; H04R 1/028; H04R 1/105; H04R 1/323; H04R 1/403; H04R 1/2803; H04R 1/2834; H04R 5/02; H04R 7/20; H04R 9/06; H04R 9/025; H04R 2201/021; H04R 2400/00; H04R 2400/07;

(57) **CLAIM**

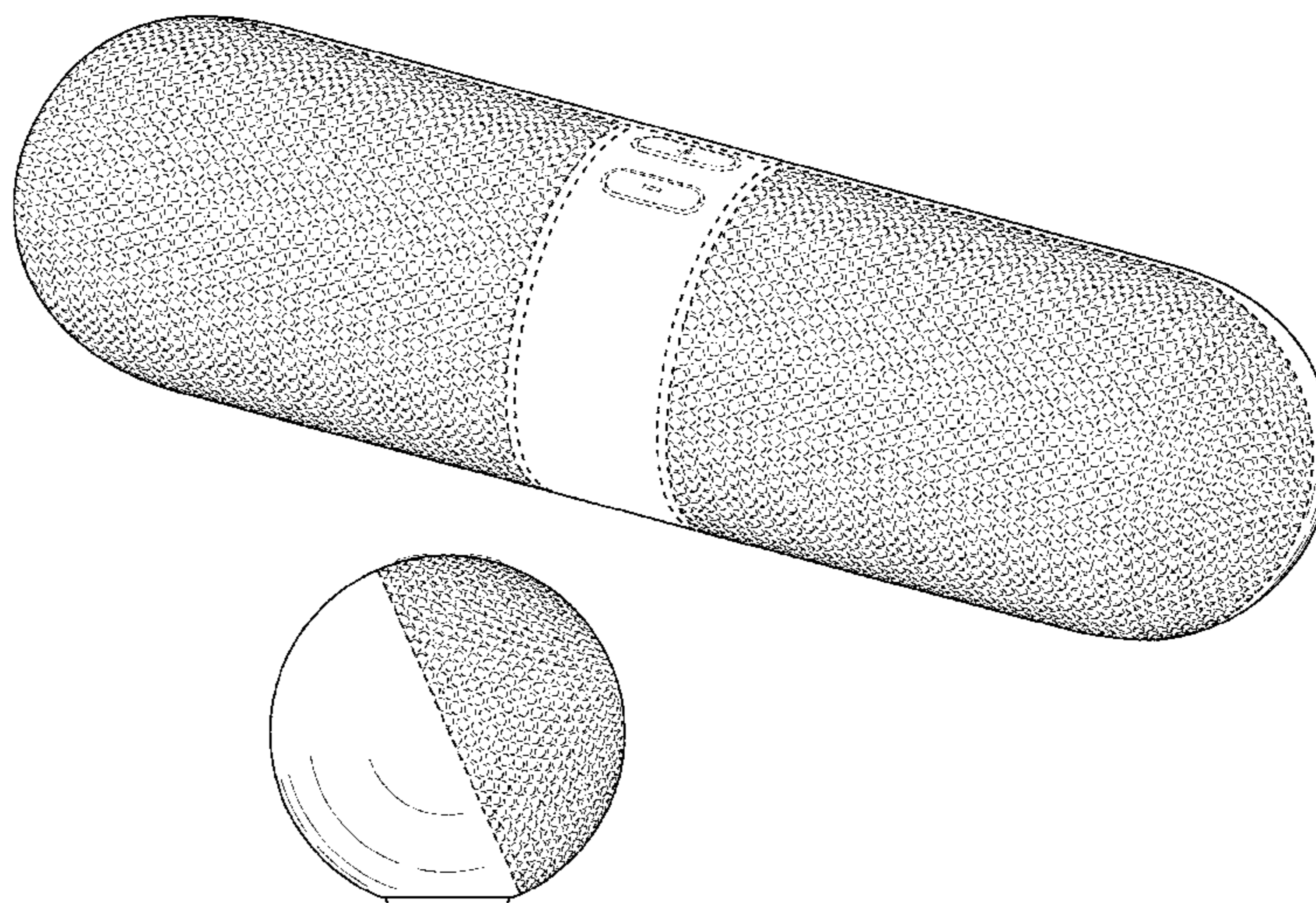
The ornamental design for an audio speaker system, as shown and described.

**DESCRIPTION**

FIG. 1 is a perspective view of an audio speaker system showing our new design;  
FIG. 2 is a front view thereof;  
FIG. 3 is a right side view thereof;  
FIG. 4 is a left side view thereof;  
FIG. 5 is a rear view thereof;  
FIG. 6 is a top view thereof; and,  
FIG. 7 is a bottom view thereof.

The broken lines in the figures show portion of the audio speaker system that form no part of the claimed design.

**1 Claim, 6 Drawing Sheets**



(56)

**References Cited**

U.S. PATENT DOCUMENTS

D600,251 S	9/2009	Poandl	D636,758 S	4/2011	Tzeng	
D606,979 S	12/2009	Henry	D636,759 S	4/2011	Chen	
D607,536 S	1/2010	Filo	D642,156 S	7/2011	Joseph	
D611,450 S	3/2010	Miyazaki	D642,159 S	7/2011	Joseph	
7,689,197 B2	3/2010	Laude et al.	D659,119 S	5/2012	Brunner et al.	
D616,420 S	5/2010	Morimoto	8,180,095 B2	5/2012	Zhang	
D620,921 S	8/2010	Skurdal	D674,775 S	1/2013	Bolton	
D620,923 S	8/2010	Orfali	D678,243 S	3/2013	McManigal et al.	
D621,383 S	8/2010	Hou	D687,016 S	7/2013	Brunner et al.	
D625,288 S	10/2010	Ueda	D722,595 S *	2/2015	Mackiewicz .....	D14/216
D636,378 S	4/2011	Ohashi et al.	D726,155 S *	4/2015	Cheng .....	D14/216
			D726,684 S *	4/2015	Schmiedbauer .....	D14/210
			D727,298 S *	4/2015	Chang .....	D14/216
			D731,467 S *	6/2015	Brunner .....	D14/216

\* cited by examiner

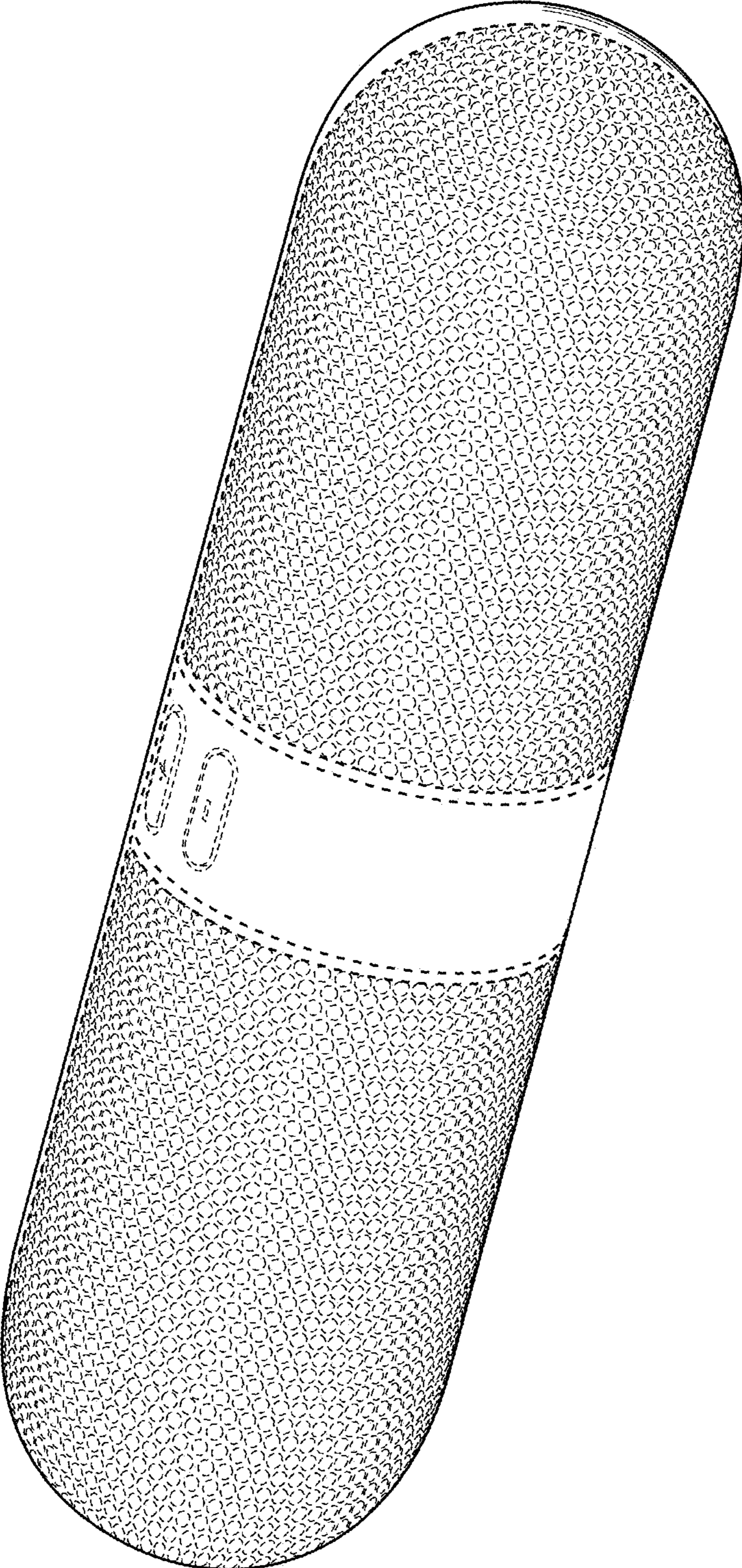


FIG. 1

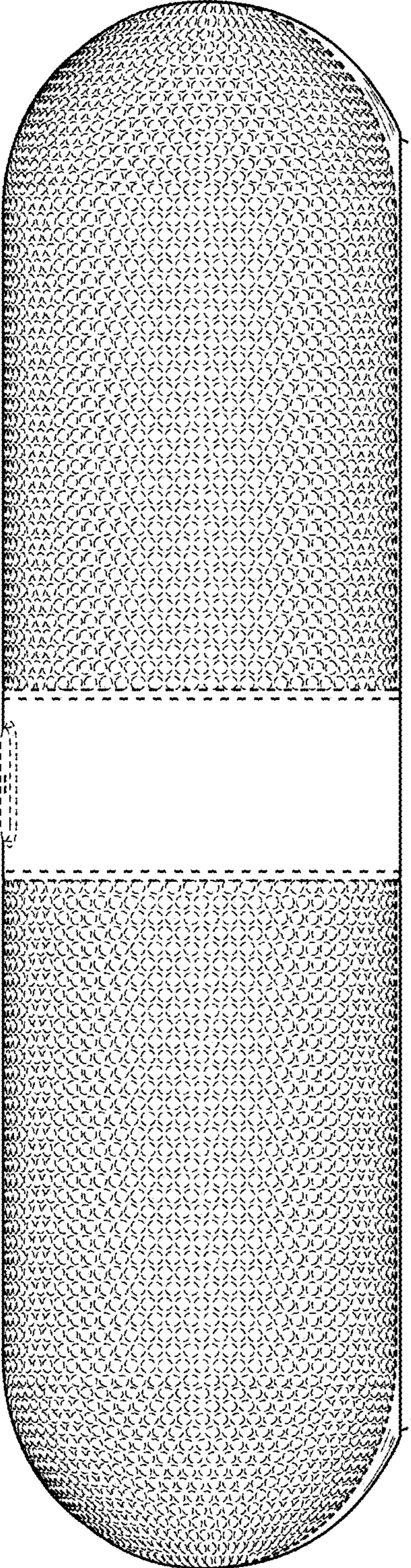


FIG. 2

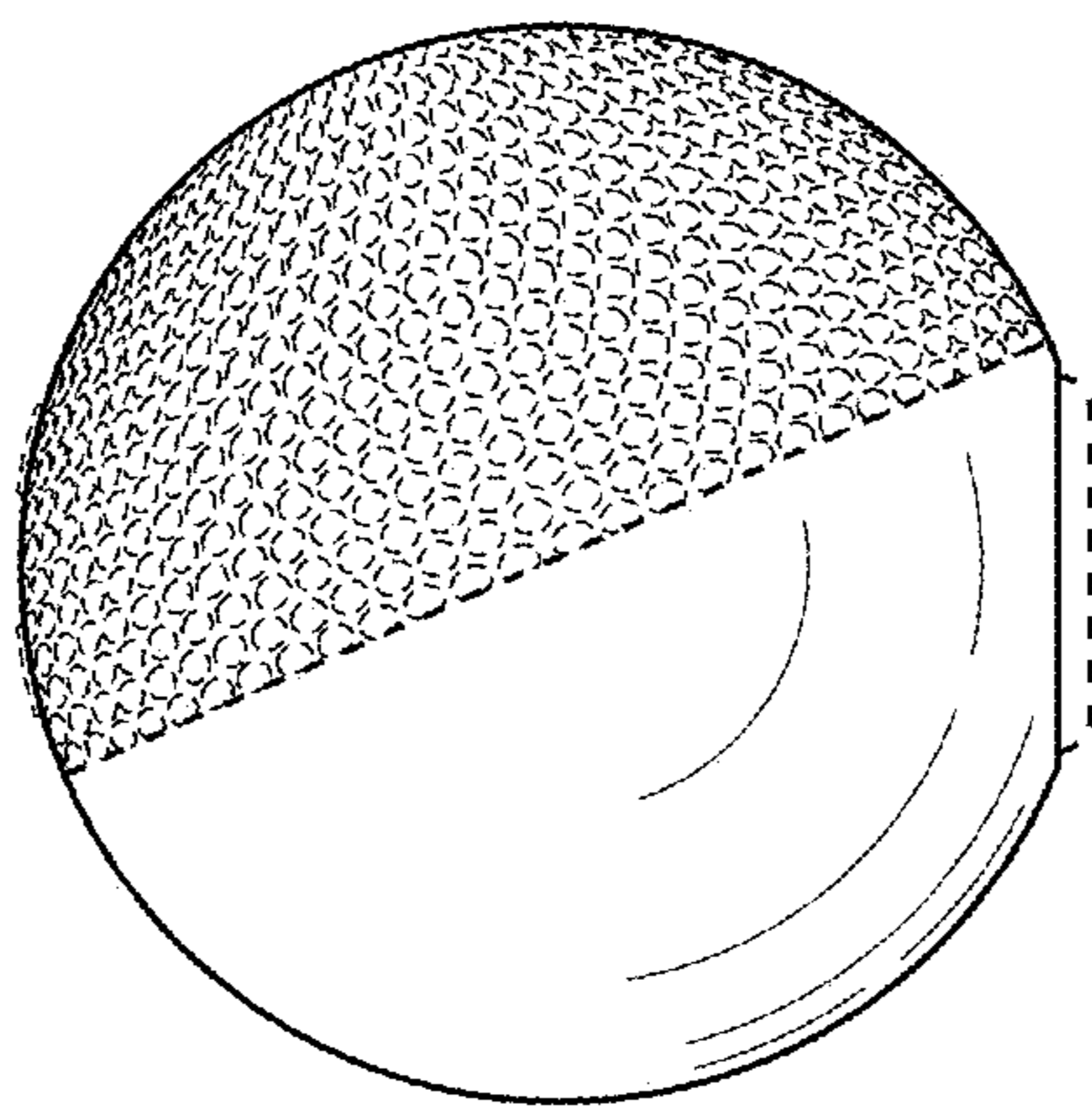


FIG. 4

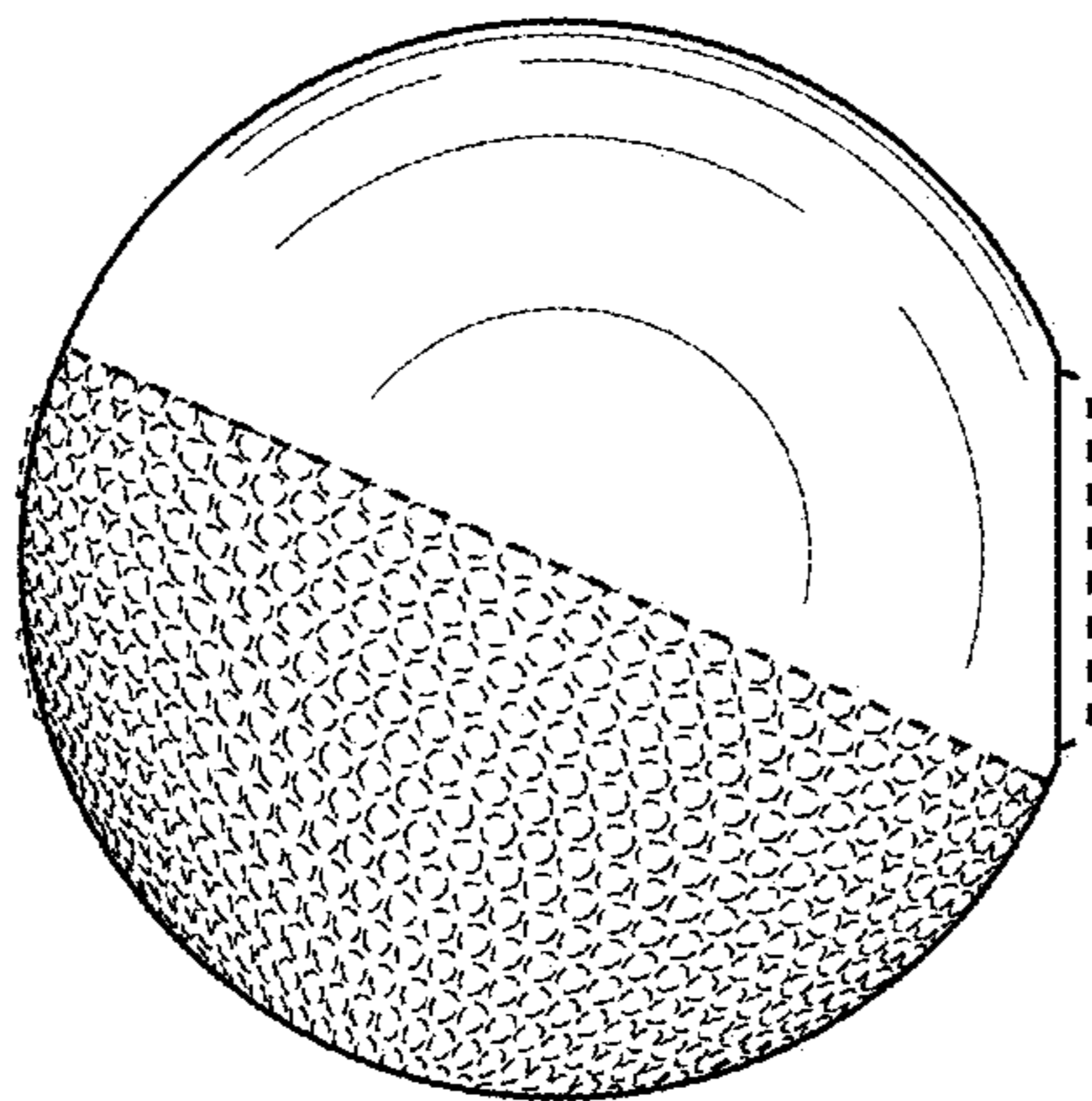


FIG. 3

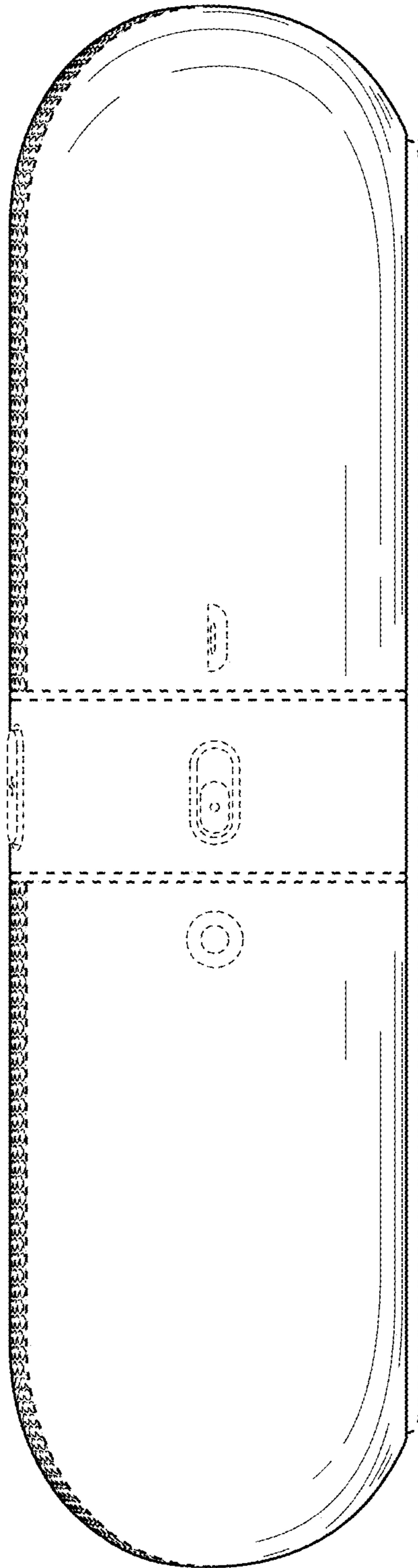


FIG. 5

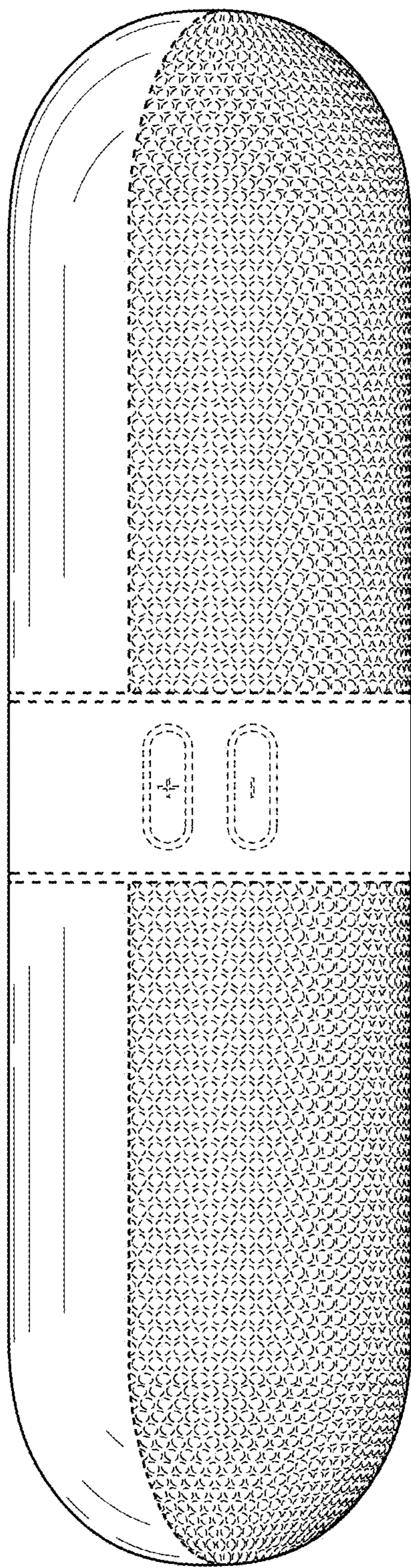


FIG. 6

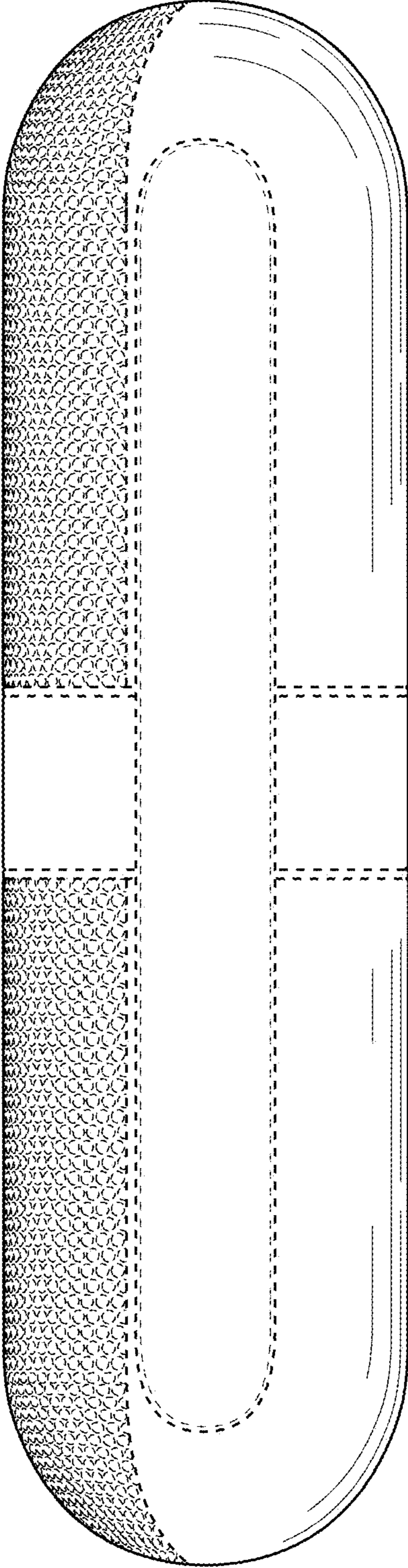


FIG. 7



UNITED STATES PATENT AND TRADEMARK OFFICE  
**CERTIFICATE OF CORRECTION**

PATENT NO. : D755,161 S  
APPLICATION NO. : 29/493898  
DATED : May 3, 2016  
INVENTOR(S) : Robert Brunner et al.

Page 1 of 1

It is certified that error appears in the above-identified patent and that said Letters Patent is hereby corrected as shown below:

On the title page

In the DESCRIPTION section of the issued patent, replace “The broken lines in the figures show portion of the audio speaker system that form no part of the claimed design” with --The broken lines in the figures show portions of the audio speaker system that form no part of the claimed design.--

Signed and Sealed this  
Twenty-eighth Day of June, 2016



Michelle K. Lee  
*Director of the United States Patent and Trademark Office*