



US00D755160S

(12) **United States Design Patent**
Ponce

(10) **Patent No.:** **US D755,160 S**

(45) **Date of Patent:** **** May 3, 2016**

(54) **GLOWING SPEAKER**

(71) Applicant: **DreamGear, LLC**, Torrance, CA (US)

(72) Inventor: **Michael Ponce**, Westchester, CA (US)

(73) Assignee: **DREAMGEAR, LLC**, Torrance, CA (US)

(**) Term: **14 Years**

(21) Appl. No.: **29/526,139**

(22) Filed: **May 6, 2015**

(51) **LOC (10) Cl.** **14-03**

(52) **U.S. Cl.**
USPC **D14/214**

(58) **Field of Classification Search**
USPC D14/167, 168, 170–172, 188, 194–196, D14/204, 207, 209.1, 210–216, 219, 221, D14/222, 224, 239, 496; 181/143, 144, 147, 181/148, 150, 153, 157, 198, 199; 381/300–303, 306, 332, 333, 336, 345, 381/361–364, 386–388; 369/6–12
CPC B60R 11/0217; G06F 1/1688; H04M 1/03; H04M 1/035; H04R 1/02; H04R 1/06; H04R 1/021; H04R 1/025; H04R 1/026; H04R 1/028; H04R 1/105; H04R 1/323; H04R 1/403; H04R 1/2803; H04R 1/2834; H04R 5/02; H04R 7/20; H04R 9/06; H04R 9/025; H04R 2201/021; H04R 2400/00; H04R 2400/07; H04R 2499/11; H04R 2499/13; H04R 2499/15; H04S 3/00; H04S 7/30

See application file for complete search history.

(56) **References Cited**

U.S. PATENT DOCUMENTS

D534,523 S *	1/2007	Kang	D14/214
D584,287 S *	1/2009	Pauschitz	D14/214
D684,560 S *	6/2013	Lee	D14/209.1
D707,204 S *	6/2014	Fujiwara	D14/204
D710,328 S *	8/2014	Kim	D14/212
D710,824 S *	8/2014	Mackiewicz	D14/214
D713,381 S *	9/2014	Riggs	D14/214
D715,258 S *	10/2014	Osborn	D14/212
D718,739 S *	12/2014	DiTullo	D14/214
D726,144 S *	4/2015	Kang	D14/204
D729,761 S *	5/2015	Hu	D14/194
D732,512 S *	6/2015	Fariello	D14/230
D738,854 S *	9/2015	Babcock	D14/214
D741,839 S *	10/2015	Osborn	D14/214

* cited by examiner

Primary Examiner — Keli L Hill

(74) *Attorney, Agent, or Firm* — Karish & Bjorgum, PC

(57) **CLAIM**

The ornamental design for glowing speaker, as shown and described.

DESCRIPTION

FIG. 1 is top front right isometric view showing the glowing speaker of the invention.

FIG. 2 is a top rear right isometric view showing the glowing speaker of FIG. 1.

FIG. 3 is a front view showing the glowing speaker of FIG. 1.

FIG. 4 is a left side showing the glowing speaker of FIG. 1.

FIG. 5 is a right side view showing the glowing speaker of FIG. 1.

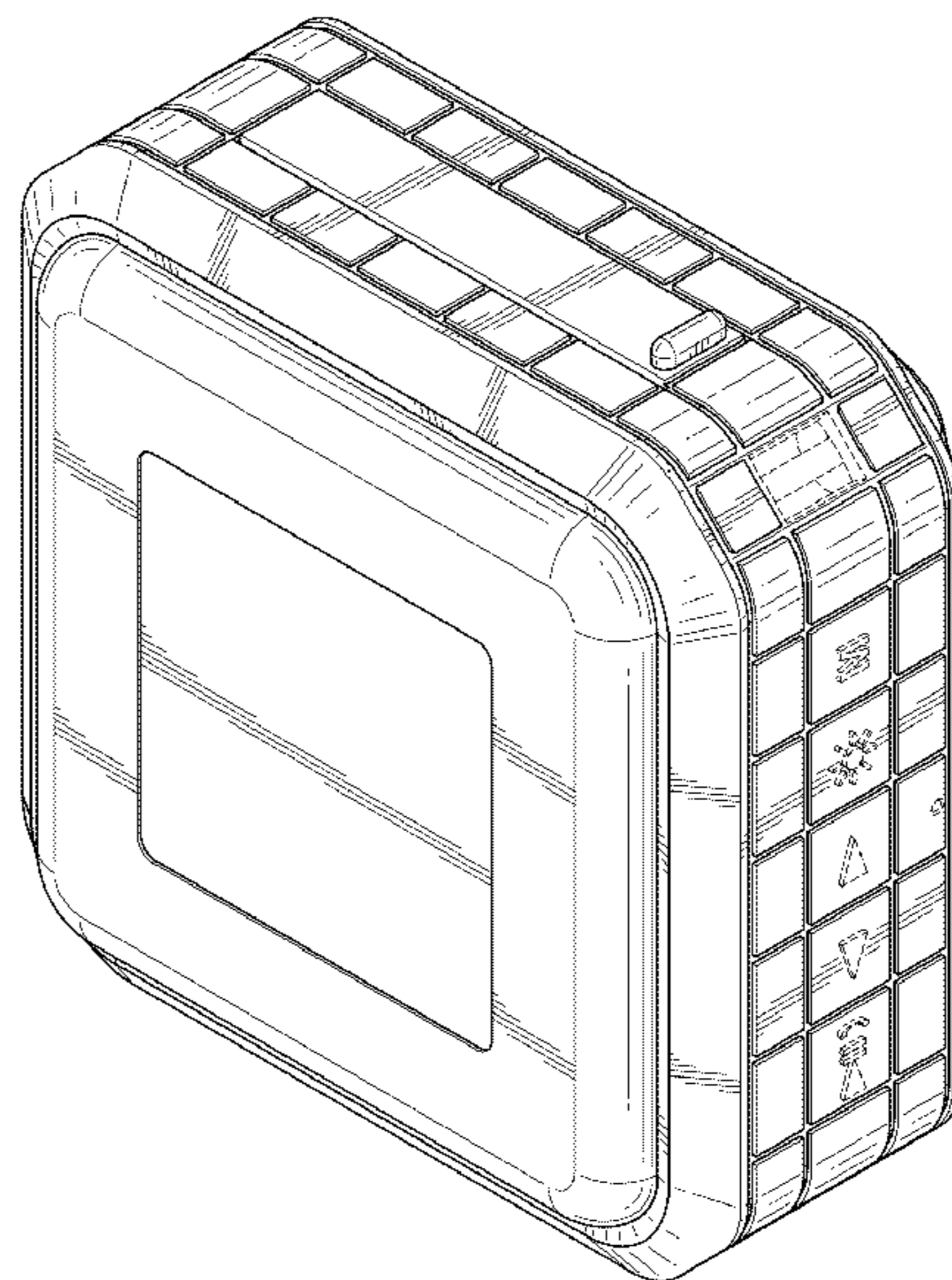
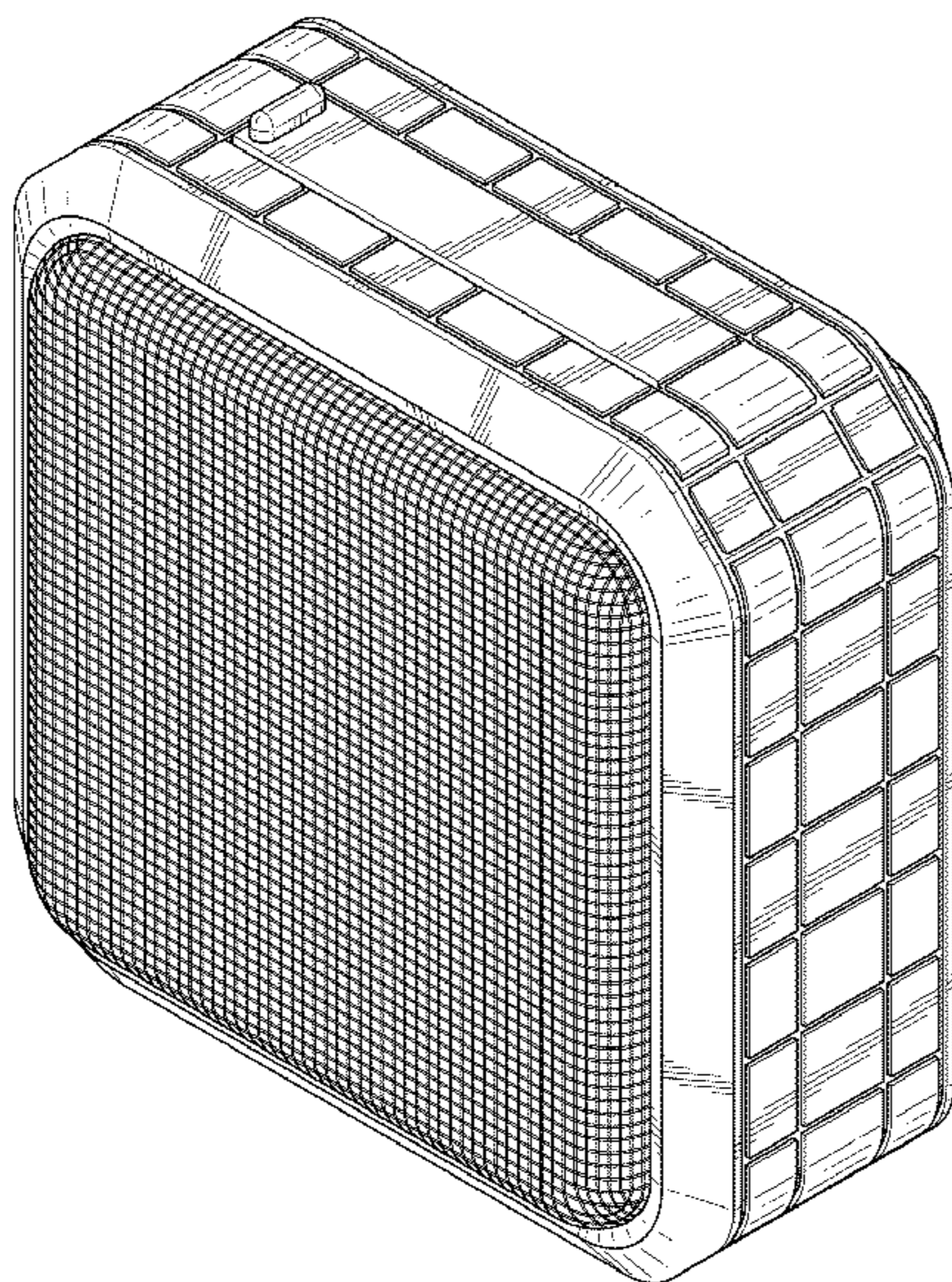
FIG. 6 is a top view showing the glowing speaker of FIG. 1.

FIG. 7 is a bottom view showing the glowing speaker of FIG. 1; and,

FIG. 8 is a rear view showing the glowing speaker of FIG. 1.

Features shown in broken dashed lines are not claimed and form no part of the invention.

1 Claim, 4 Drawing Sheets



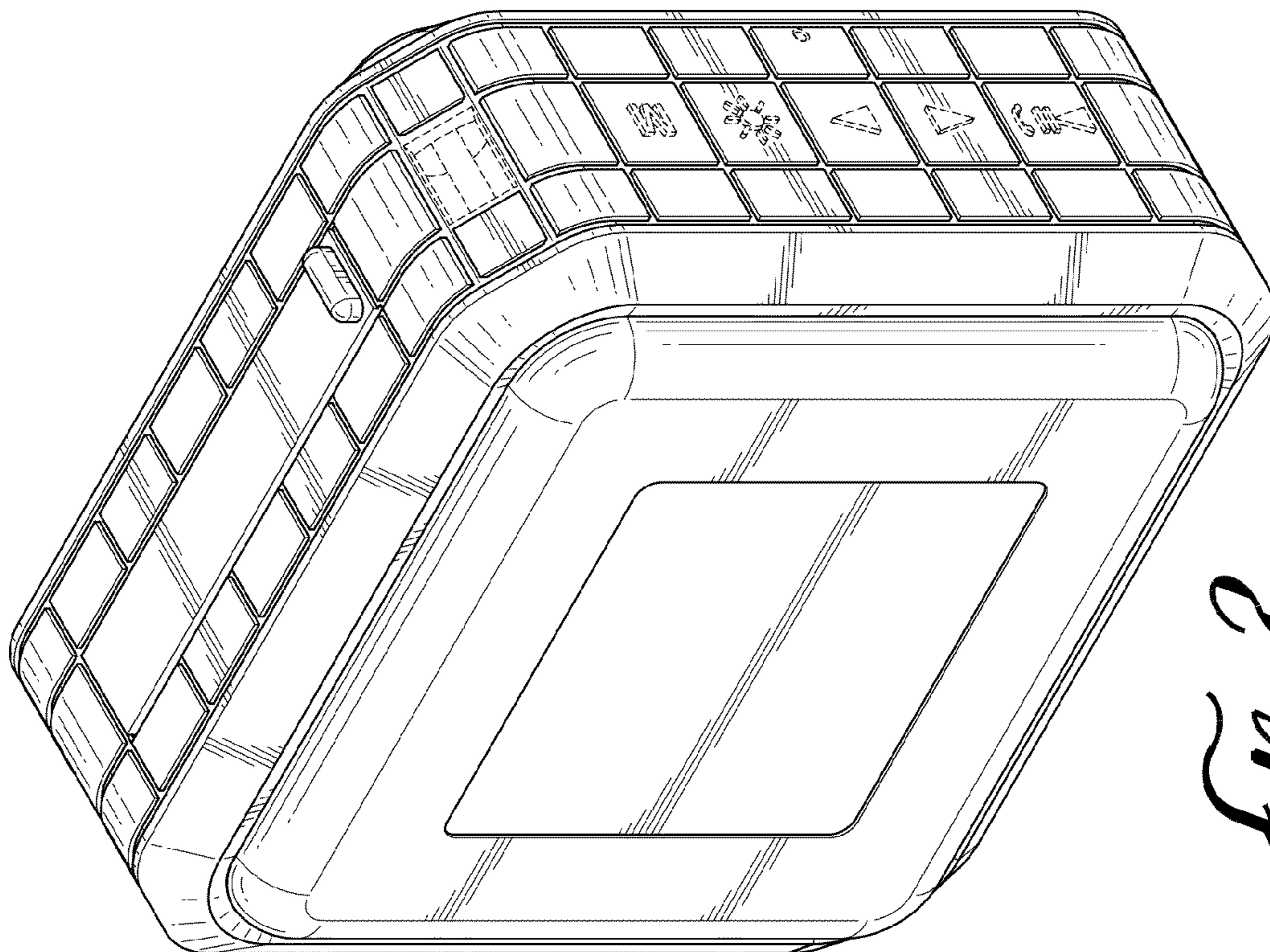


FIG. 2

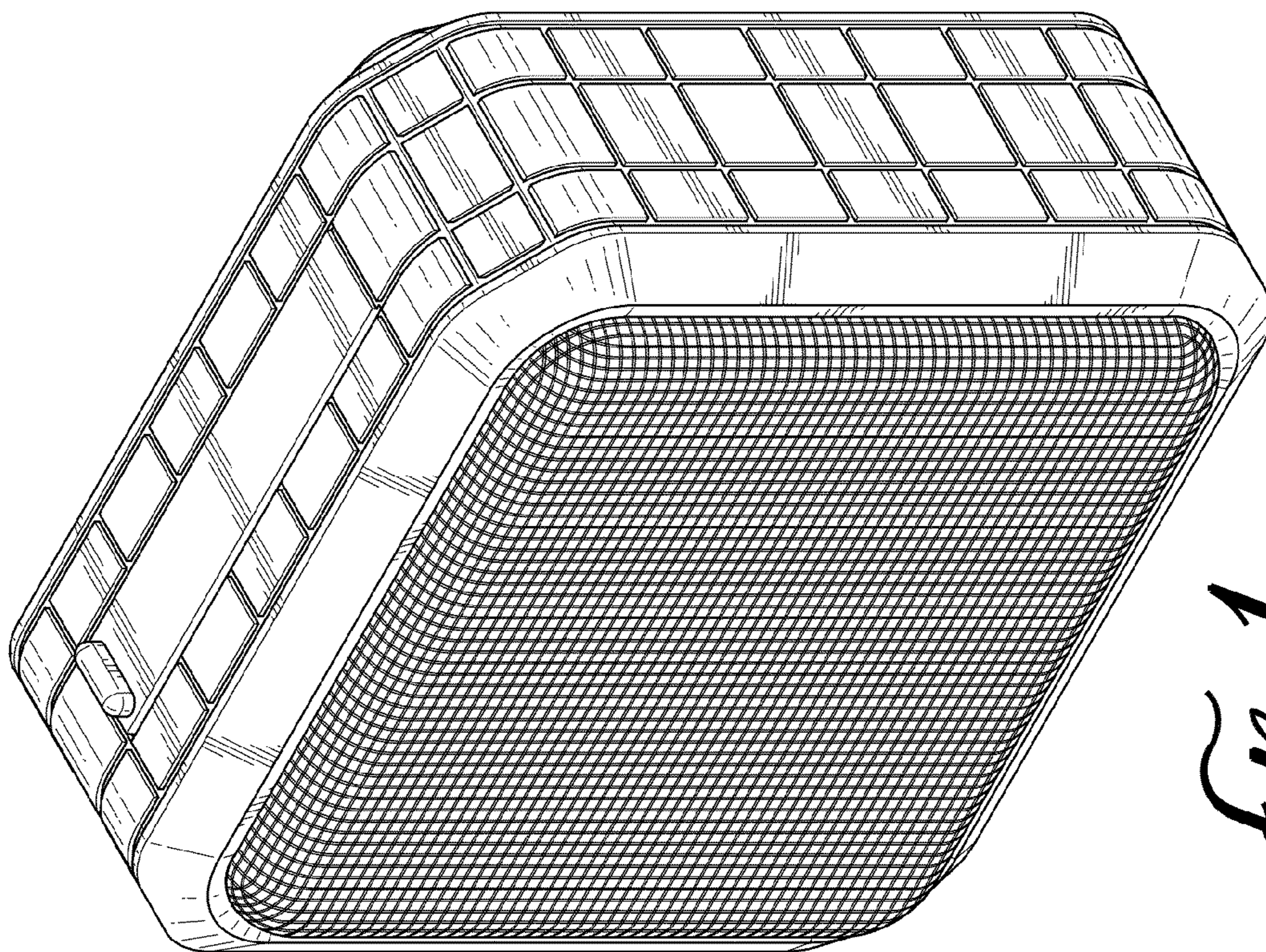


FIG. 1

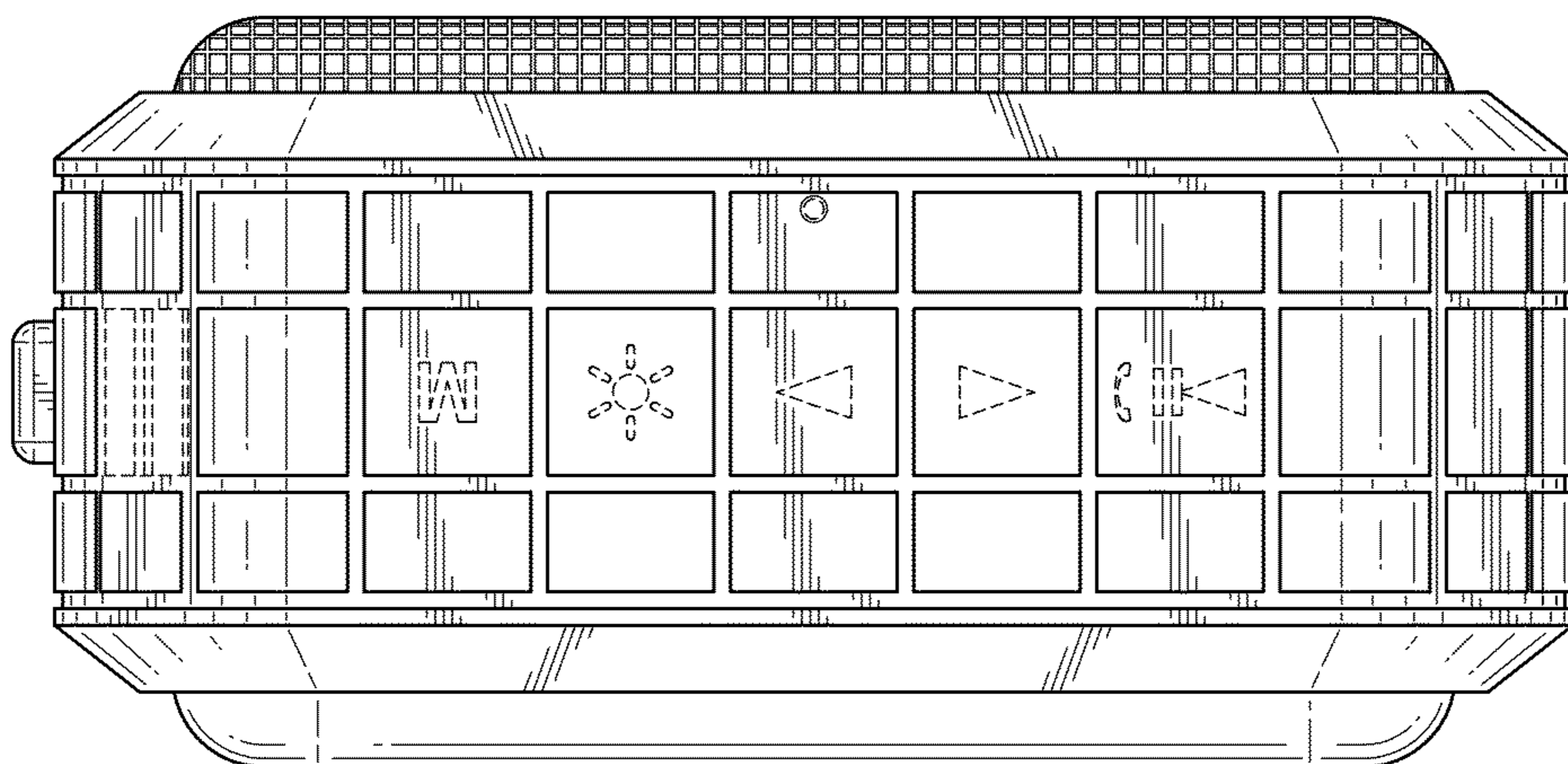


FIG. 4

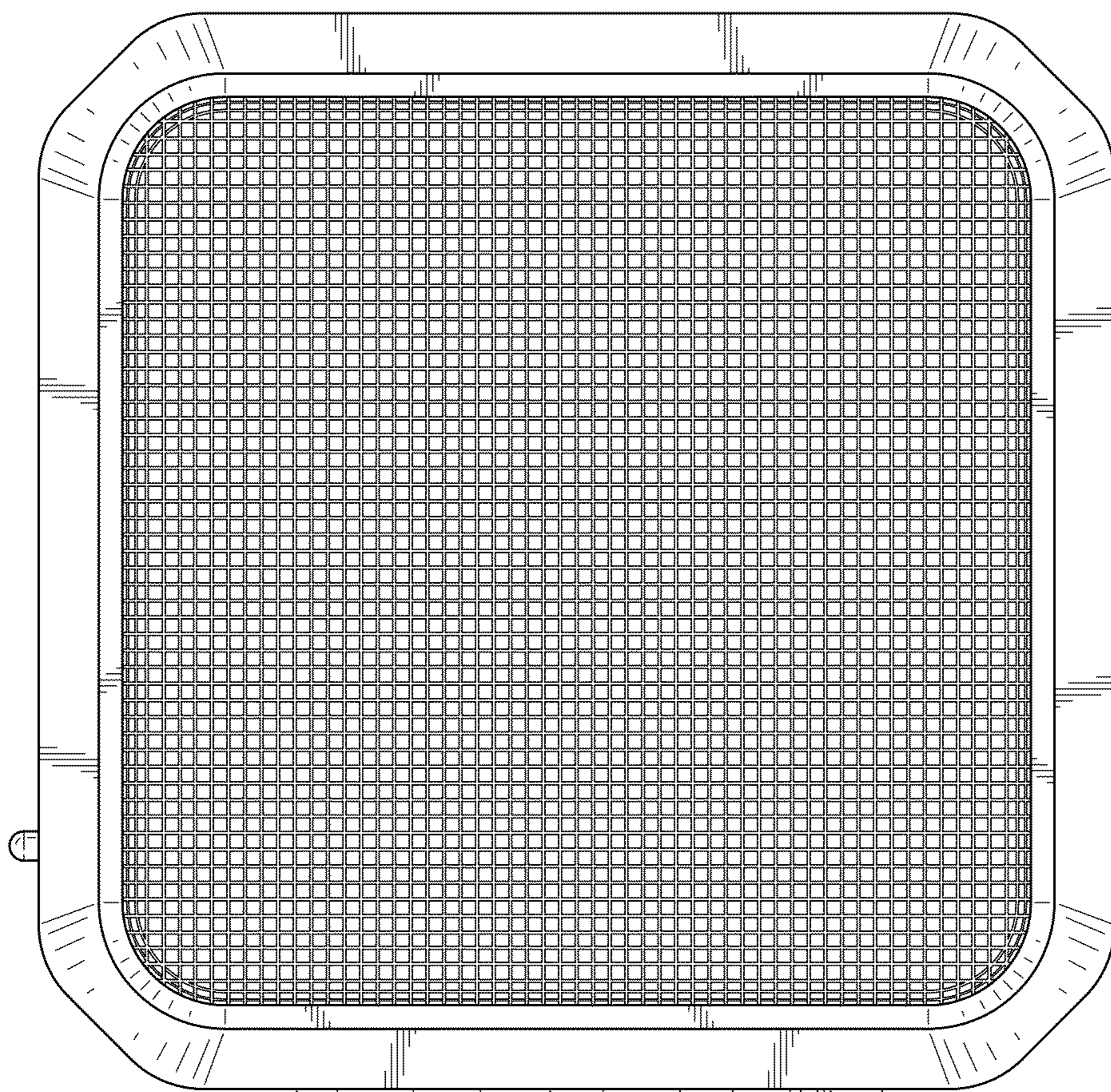


FIG. 3

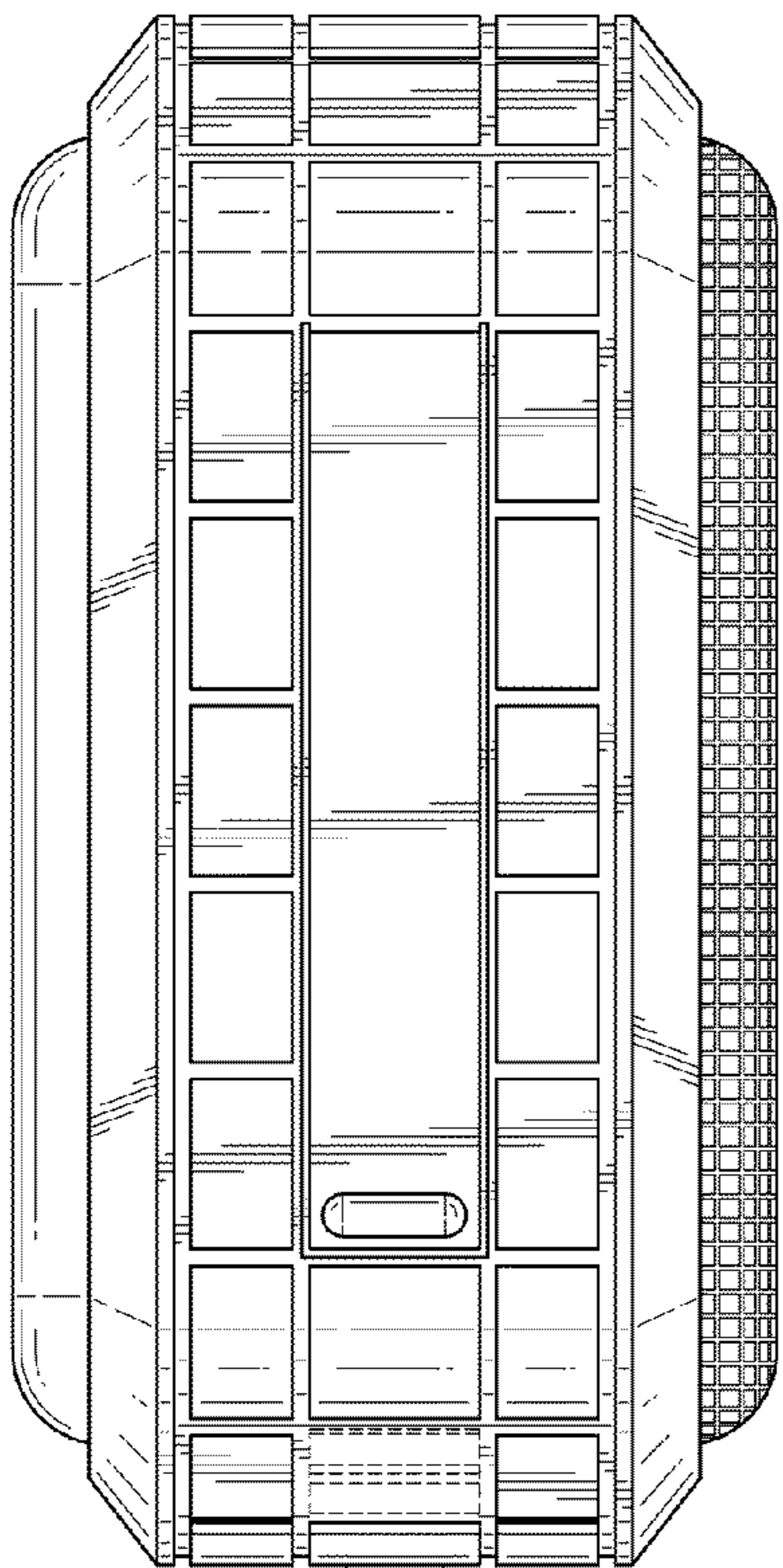


FIG. 6

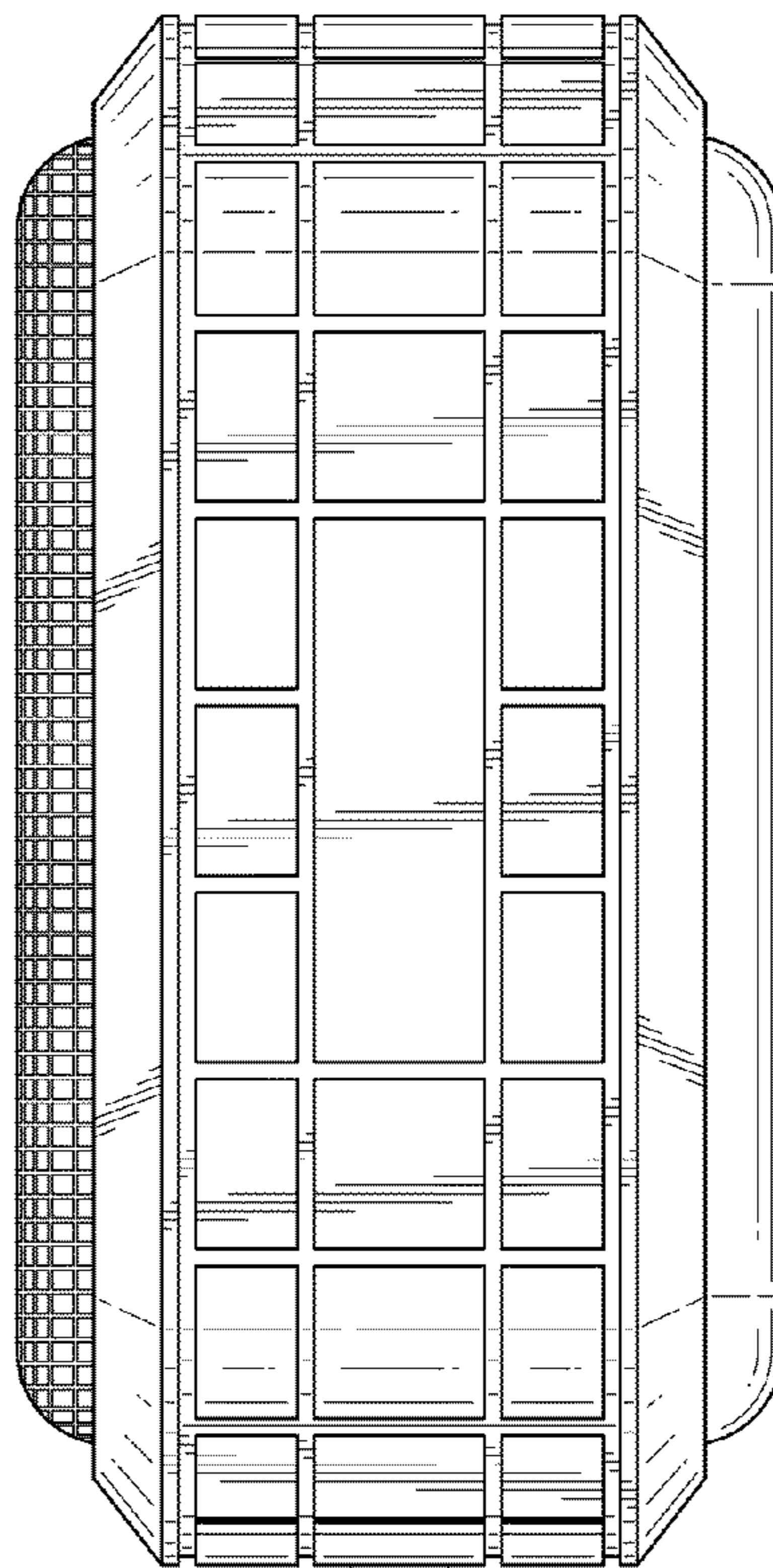


FIG. 7

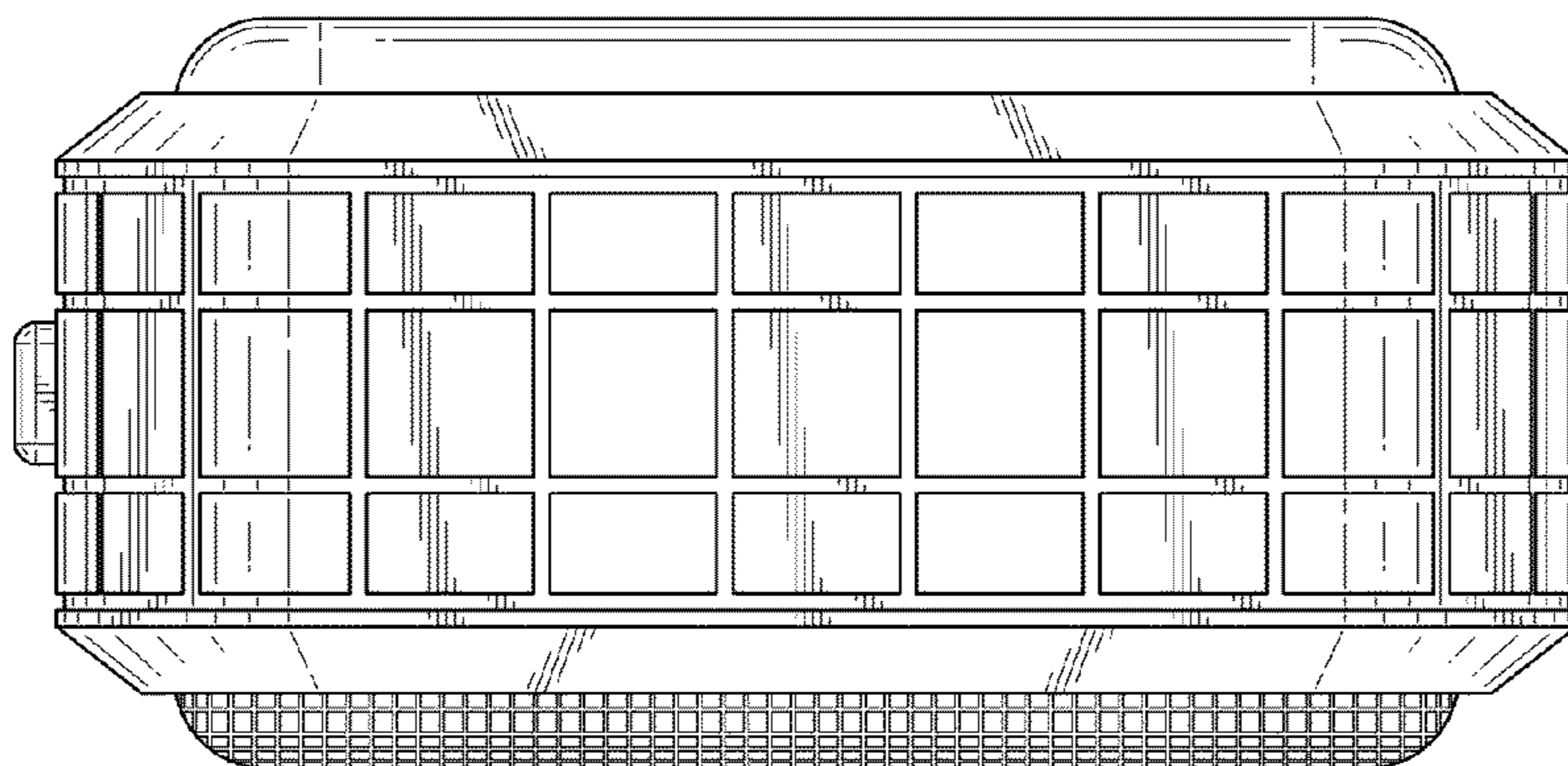
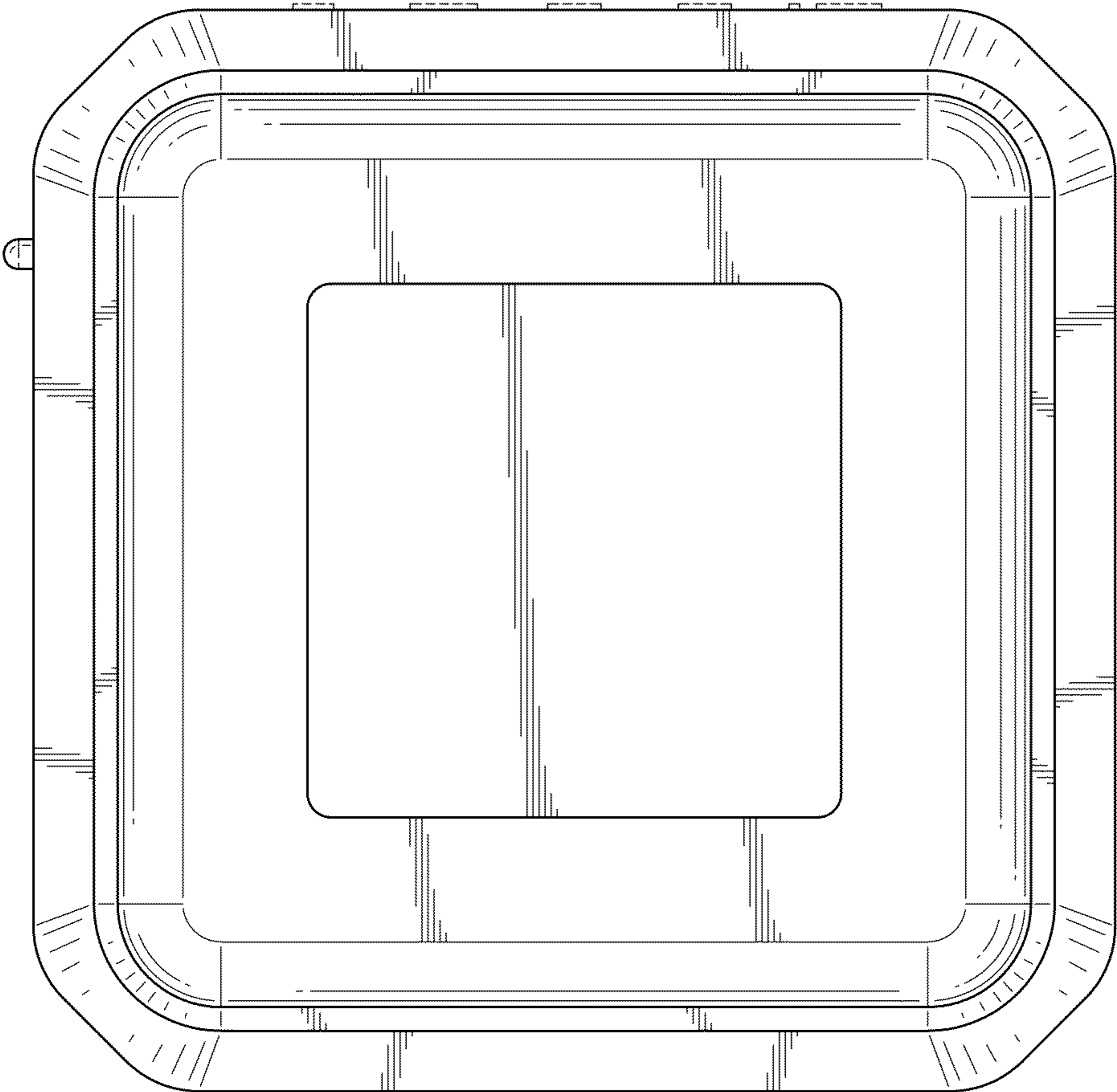


FIG. 5



B. 16. 8