



US00D755159S

(12) **United States Design Patent**
Birger

(10) **Patent No.:** **US D755,159 S**
(45) **Date of Patent:** **** May 3, 2016**

(54) **HEADSET**

(71) Applicant: **GN Netcom A/S**, Ballerup (DK)

(72) Inventor: **Johan Birger**, Ballerup (DK)

(73) Assignee: **GN Netcom A/S** (DK)

(**) Term: **14 Years**

(21) Appl. No.: **29/502,501**

(22) Filed: **Sep. 17, 2014**

(30) **Foreign Application Priority Data**

Apr. 4, 2014 (EM) 002440172-0001

(51) **LOC (10) Cl.** **14-01**

(52) **U.S. Cl.**
USPC **D14/206**

(58) **Field of Classification Search**
USPC D14/223, 205, 206, 225; 181/129, 130,
181/135; 381/380, 381; 379/430, 431;
455/90.3, 575.1
CPC H04R 25/00; H04R 1/10
See application file for complete search history.

(56) **References Cited**

U.S. PATENT DOCUMENTS

- 4,090,042 A * 5/1978 Larkin H04B 1/385
181/20
- 4,118,606 A * 10/1978 Larkin H04B 1/385
181/20
- 4,617,431 A * 10/1986 Scott H04M 1/05
181/20
- 4,917,504 A * 4/1990 Scott H04M 1/05
381/330
- 4,926,961 A * 5/1990 Gattey G10K 11/22
181/18
- D326,268 S * 5/1992 Le Tixerant D14/251
- 5,210,792 A * 5/1993 Kajihara H04M 1/05
379/430
- 5,412,736 A * 5/1995 Keliiliki 381/381
- 5,414,769 A * 5/1995 Gattey H04M 1/05
379/430

- D395,653 S * 6/1998 Read D14/142
- 6,097,827 A * 8/2000 Yang 381/375
- D441,739 S * 5/2001 Hayes D14/223
- 6,396,935 B1 * 5/2002 Makkonen H04B 1/385
379/430
- 6,427,018 B1 * 7/2002 Keliiliki 381/381
- D469,081 S * 1/2003 Perszyk et al. D14/205
- D470,129 S * 2/2003 Hlas D14/205
- D480,073 S * 9/2003 Jensen D14/224
- D490,398 S * 5/2004 Gwee D14/205
- D501,196 S * 1/2005 Dyer D14/205
- D504,673 S * 5/2005 Dyer et al. D14/205
- D506,462 S * 6/2005 Han D14/205
- D510,085 S * 9/2005 Suzuki D14/223
- D512,984 S * 12/2005 Ham D14/205
- D518,473 S * 4/2006 Gwee D14/205
- D518,816 S * 4/2006 Naito D14/205
- 7,089,042 B2 * 8/2006 Bodley 455/569.1
- D530,819 S * 10/2006 Jurkiewicz et al. D24/174
- D535,975 S * 1/2007 Brennwald D14/206
- D541,787 S * 5/2007 Ma D14/205
- D543,968 S * 6/2007 Wong D14/205
- 7,231,056 B2 * 6/2007 Chen H04R 1/1066
381/374
- D557,255 S * 12/2007 Shintani D14/206
- D571,784 S * 6/2008 Jensen et al. D14/205
- D572,234 S * 7/2008 Reda et al. D14/205

(Continued)

Primary Examiner — Paula Greene

(74) *Attorney, Agent, or Firm* — Altera Law Group, LLC

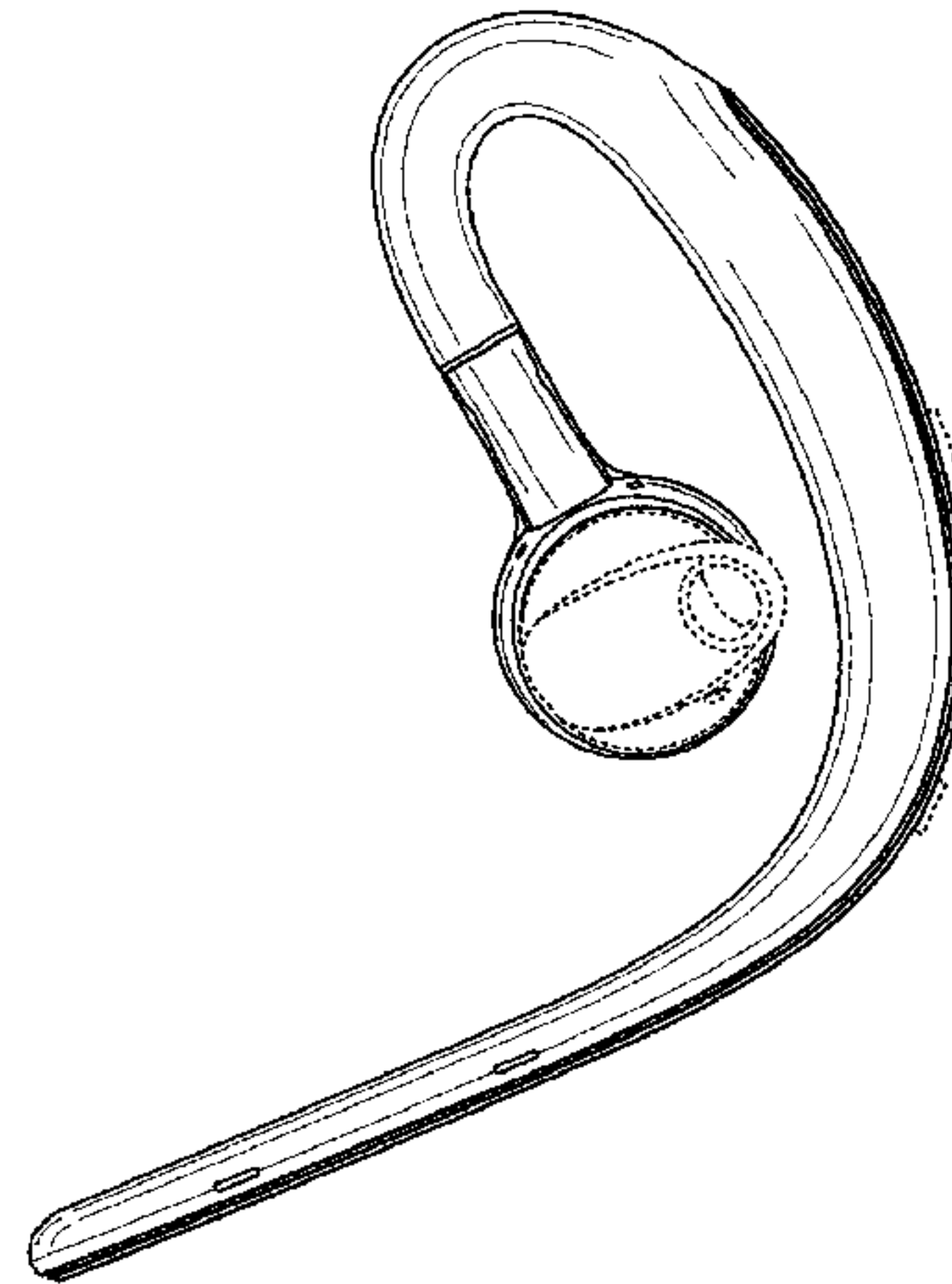
(57) **CLAIM**

The ornamental design for a headset, as shown and described.

DESCRIPTION

FIG. 1 is a front perspective view of a headset showing my new design;
 FIG. 2 is another perspective view thereof;
 FIG. 3 is a right side elevational view thereof;
 FIG. 4 is a left side elevational view thereof;
 FIG. 5 is a front elevational view thereof;
 FIG. 6 is a back elevational view thereof;
 FIG. 7 is a top plan view thereof; and,
 FIG. 8 is a bottom plan view thereof.
 The broken lines form no part of the claimed design.

1 Claim, 4 Drawing Sheets



(56)

References Cited

U.S. PATENT DOCUMENTS

D601,126 S * 9/2009 Christopher et al. D14/206
D625,297 S * 10/2010 Tseng et al. D14/223
D635,960 S * 4/2011 Gondo et al. D14/223
D639,787 S * 6/2011 Quek D14/223

D651,197 S 12/2011 Birger
8,265,328 B2 * 9/2012 Milde et al. 381/381
D671,915 S 12/2012 Birger
D681,003 S * 4/2013 Ham et al. D14/206
D695,275 S * 12/2013 Chee D14/223
D726,147 S * 4/2015 Tran et al. D14/206

* cited by examiner

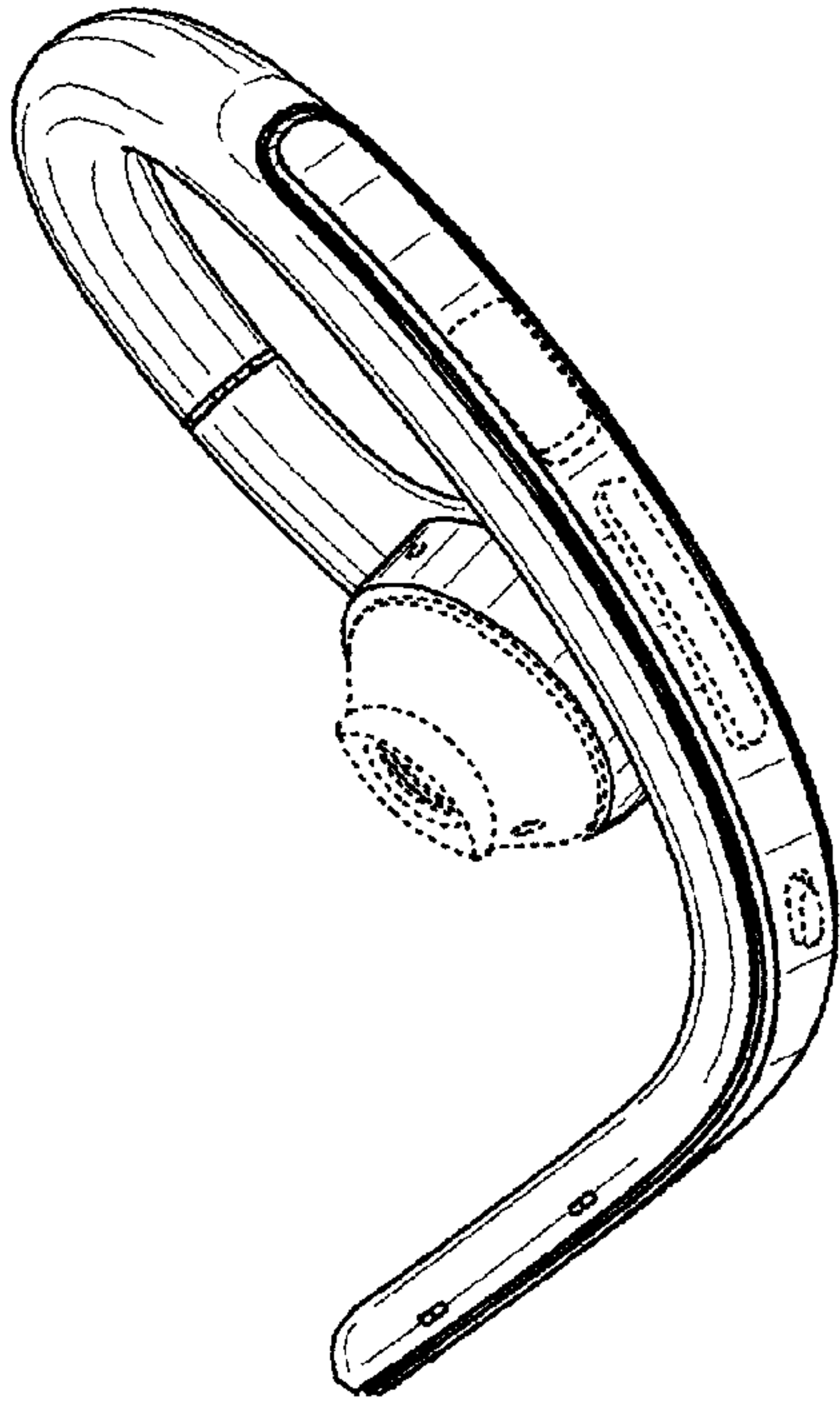


FIG. 1

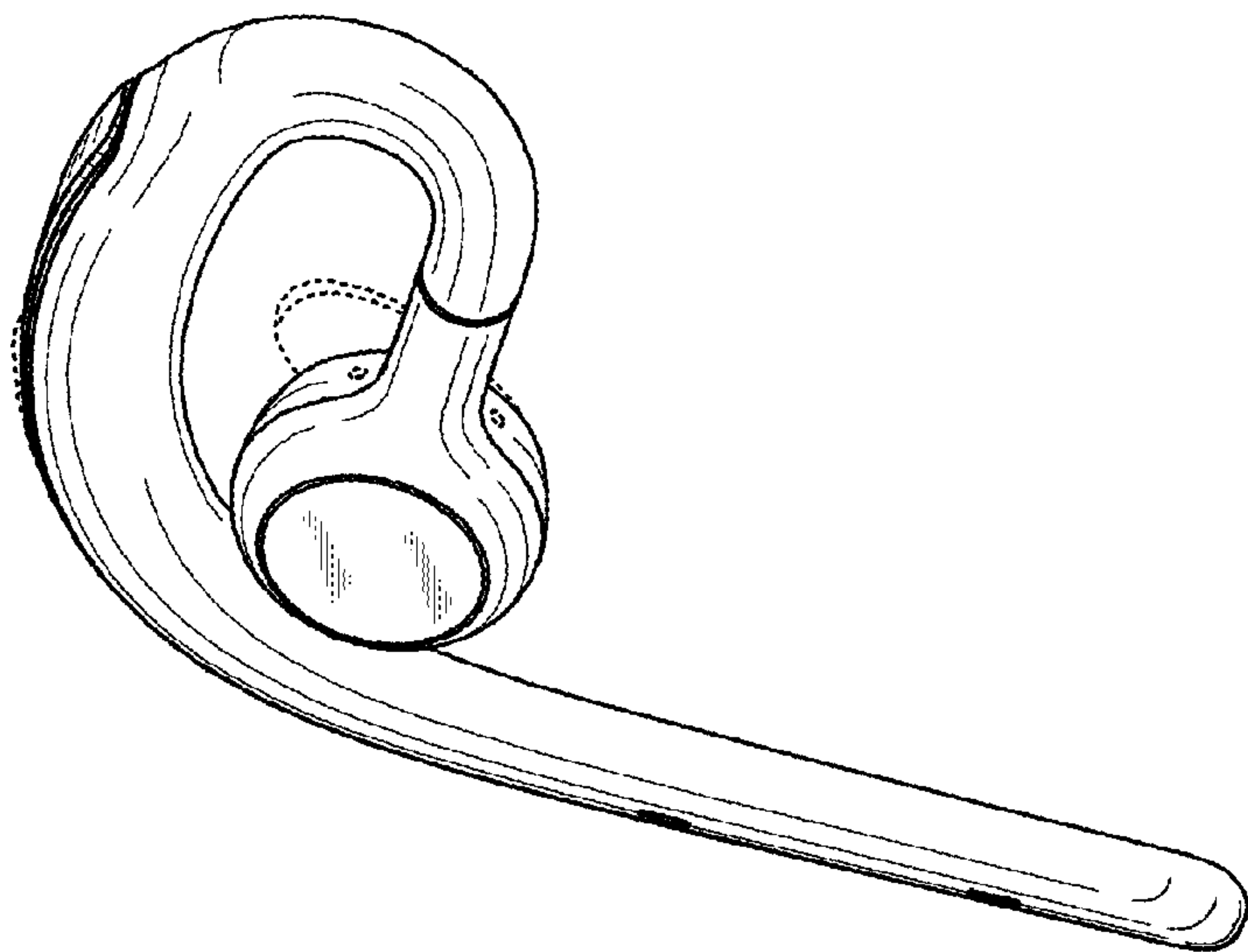


FIG. 2

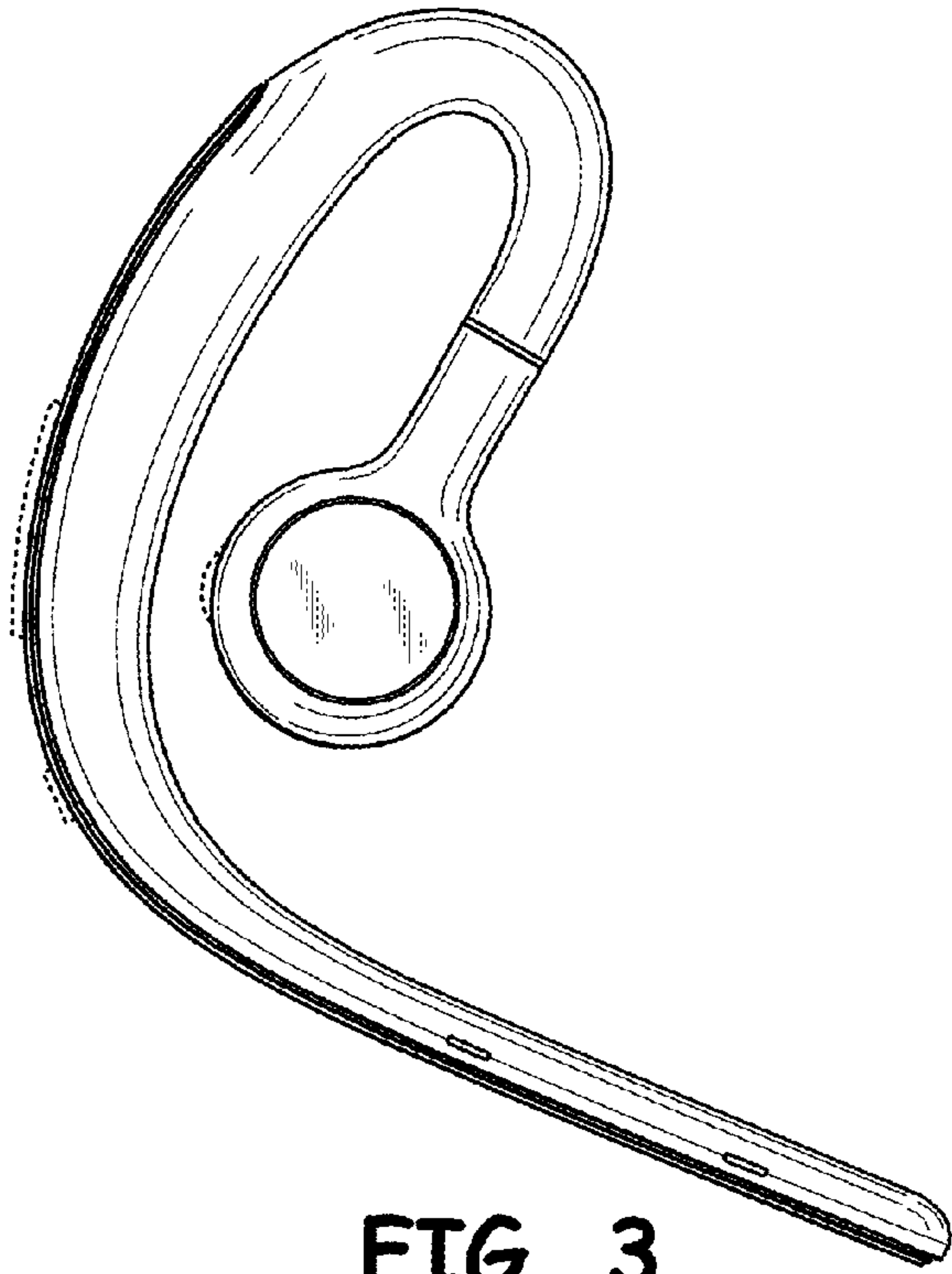


FIG. 3

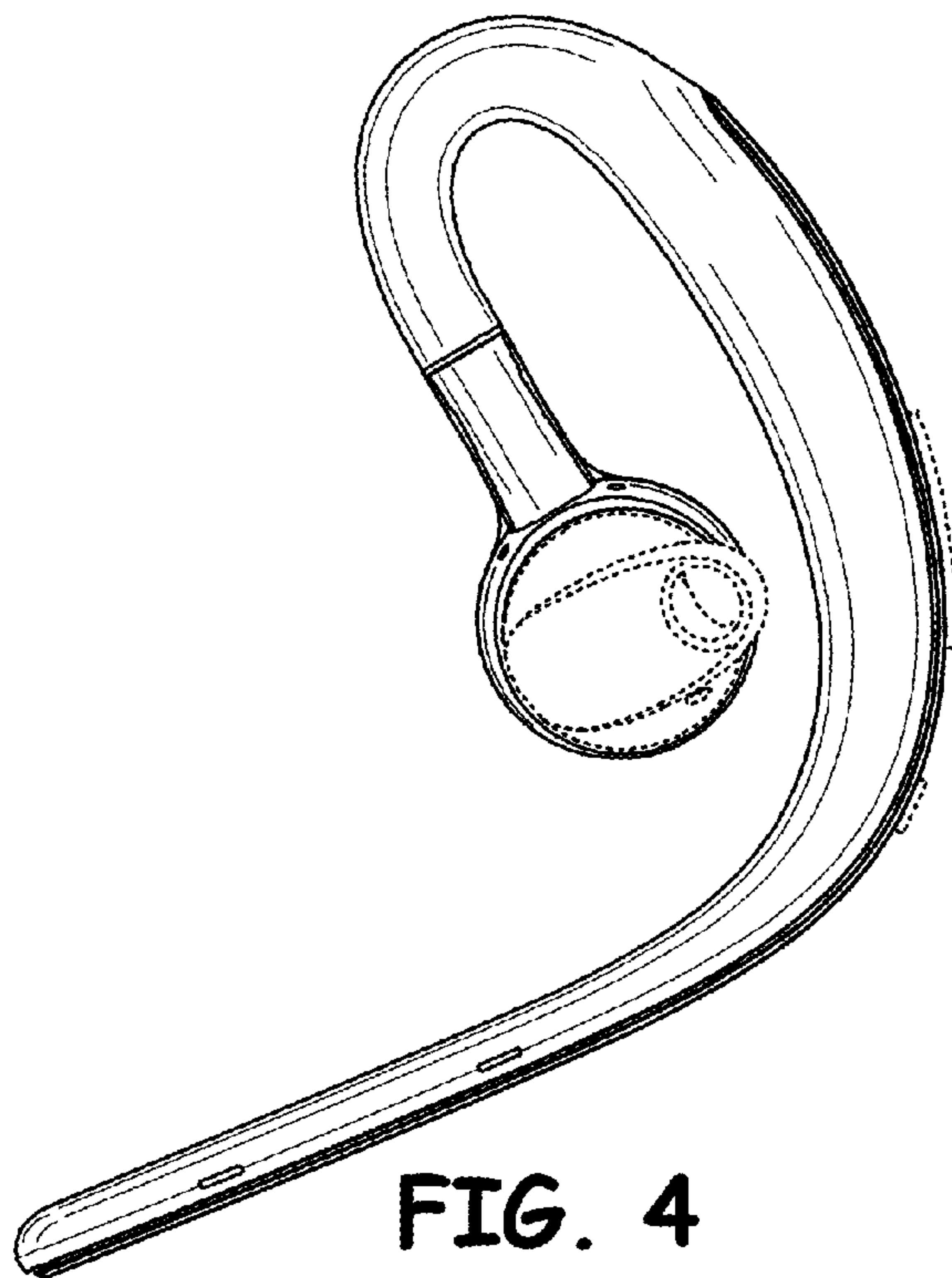


FIG. 4

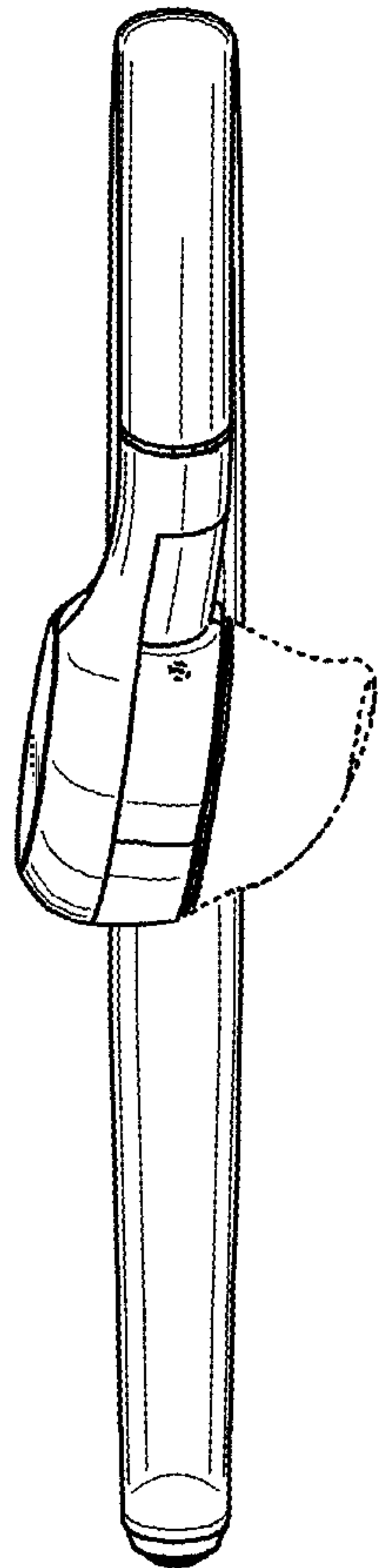


FIG. 5

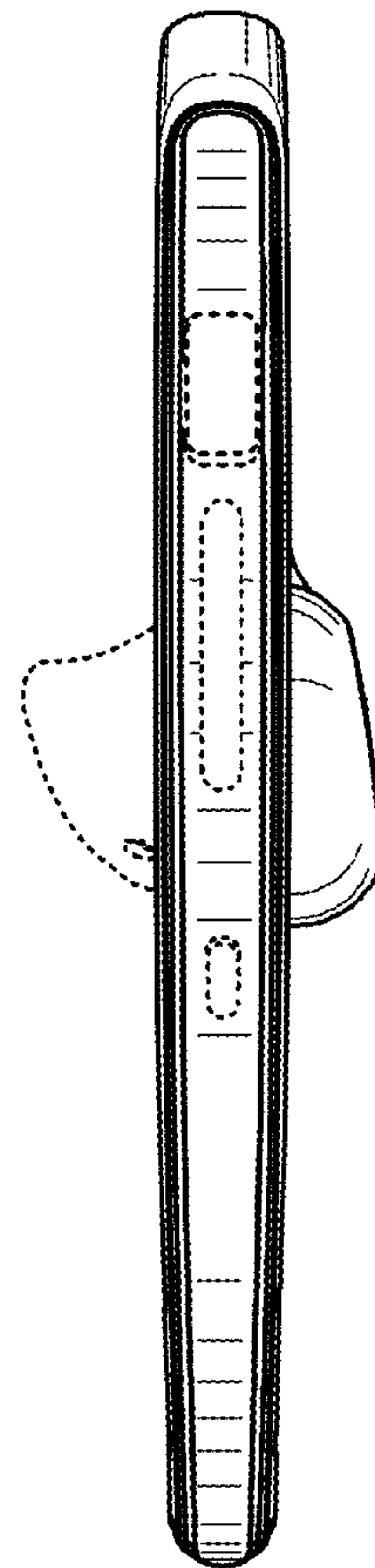


FIG. 6

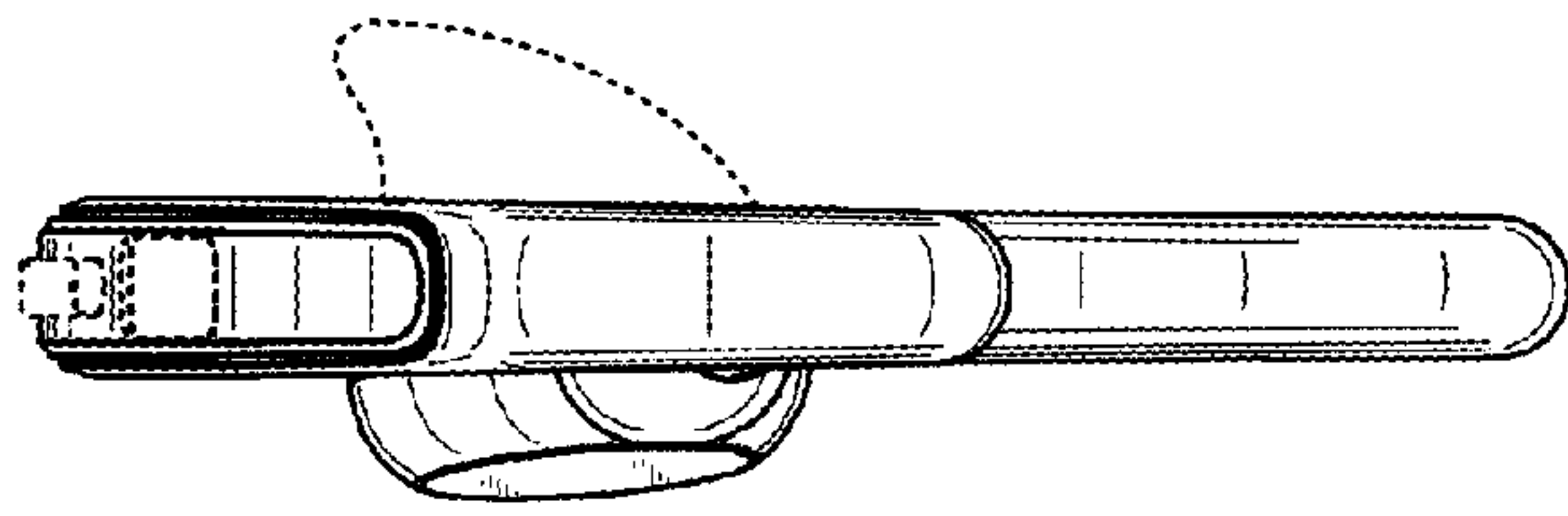


FIG. 7

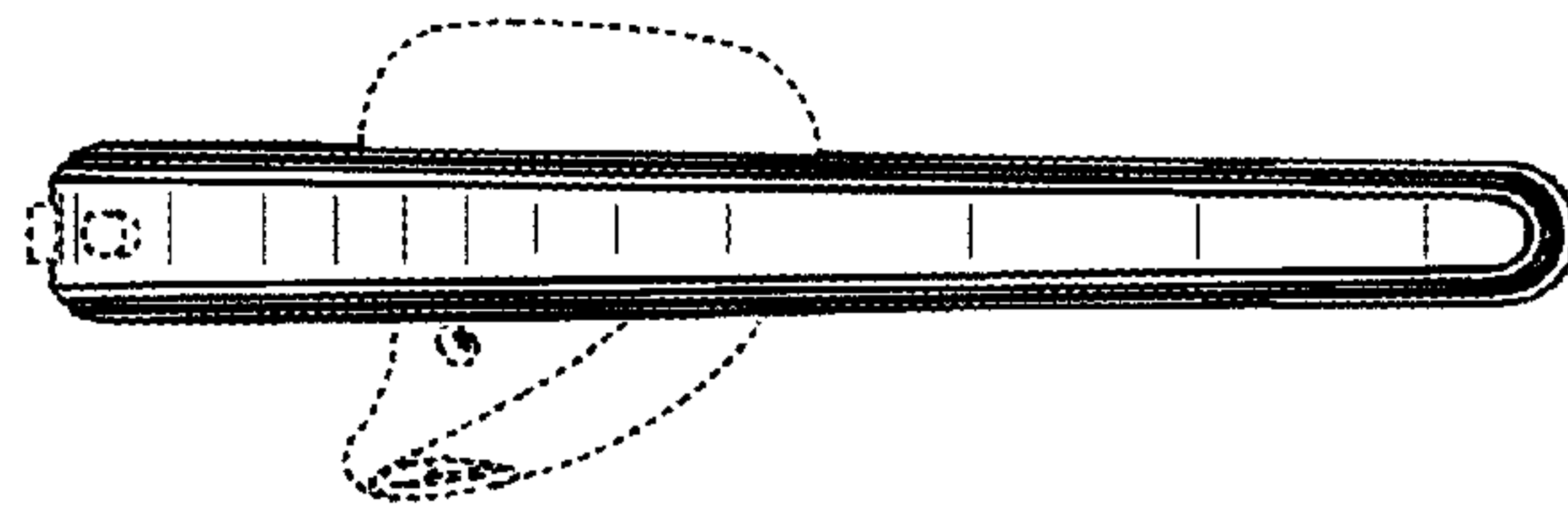


FIG. 8