



US00D755156S

(12) **United States Design Patent**
Pupecki et al.

(10) **Patent No.:** **US D755,156 S**
(45) **Date of Patent:** **** May 3, 2016**

(54) **AUDIO SYSTEM**

(71) Applicant: **Bose Corporation**, Framingham, MA (US)

(72) Inventors: **Jay Pupecki**, Worcester, MA (US);
David H. Pitcher, Worcester, MA (US);
Wei Wen Hung, Shenzhen (CN)

(73) Assignee: **Bose Corporation**, Framingham, MA (US)

(**) Term: **14 Years**

(21) Appl. No.: **29/501,559**

(22) Filed: **Sep. 5, 2014**

(51) **LOC (10) Cl.** **14-01**

(52) **U.S. Cl.**
USPC **D14/204**

(58) **Field of Classification Search**
USPC D14/167, 168, 170–172, 188, 194, 204,
D14/207, 209.1, 210–217, 221, 222, 224,
D14/496; 181/143, 144, 148, 153, 157, 198,
181/199; 369/6–12; 381/300–303, 306,
381/332, 333, 336, 345, 361–364, 366,
381/386–388

CPC A47B 81/06; H04R 1/02; H04R 1/021;
H04R 19/013; H04R 2420/07; H05K 5/00
See application file for complete search history.

(56) **References Cited**

U.S. PATENT DOCUMENTS

D195,561 S * 7/1963 Erickson D14/214
D297,831 S * 9/1988 Hirose D14/162
D327,886 S * 7/1992 Yan D14/137

D454,556 S * 3/2002 Schmidt D14/240
D586,327 S * 2/2009 Shimizu D14/188
D597,064 S * 7/2009 Machida D14/167
D641,007 S * 7/2011 Skurdal D14/214
D642,158 S * 7/2011 Skurdal D14/214

OTHER PUBLICATIONS

Philips AS140 37 Fidelio Docking Speaker System, announced Jul. 2012, [online], site visited Dec. 7, 2015. Available from Internet, <URL: <http://www.iodockingstation.blogspot.com>>.*

* cited by examiner

Primary Examiner — Derrick Holland

Assistant Examiner — Janice Lim

(57) **CLAIM**

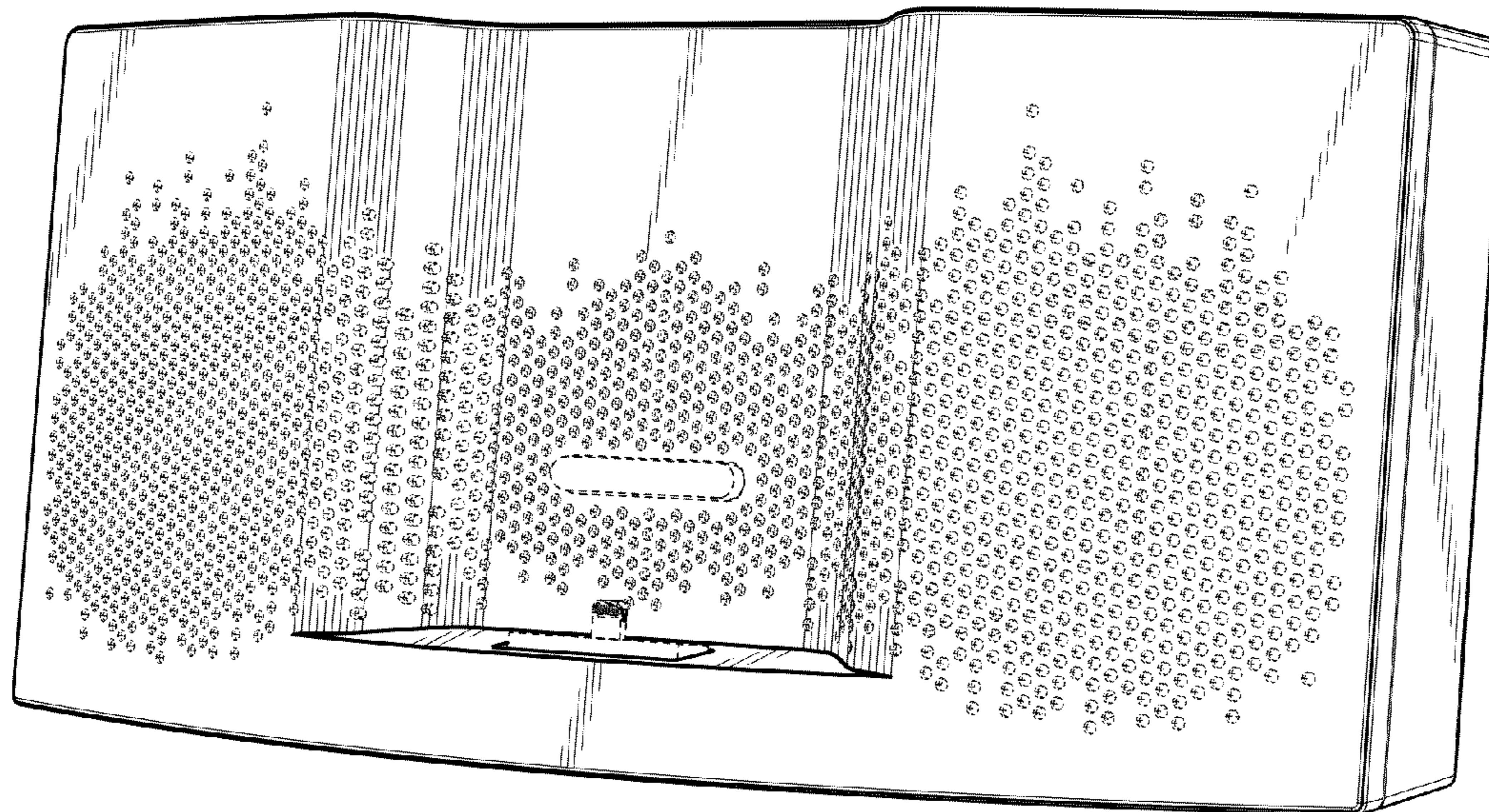
The ornamental design for an audio system, substantially as shown and described.

DESCRIPTION

FIG. 1 is a front, side perspective view of an audio system, showing our new design;
FIG. 2 is a back, top, opposite side perspective view thereof;
FIG. 3 is a front view thereof;
FIG. 4 is a back view thereof;
FIG. 5 is a top plan view thereof;
FIG. 6 is a bottom plan view thereof;
FIG. 7 is an opposite side view thereof; and,
FIG. 8 is a side view thereof.

The broken line portions of FIGS. 1-8 are included to show unclaimed subject matter only and form no part of the claimed design.

1 Claim, 7 Drawing Sheets



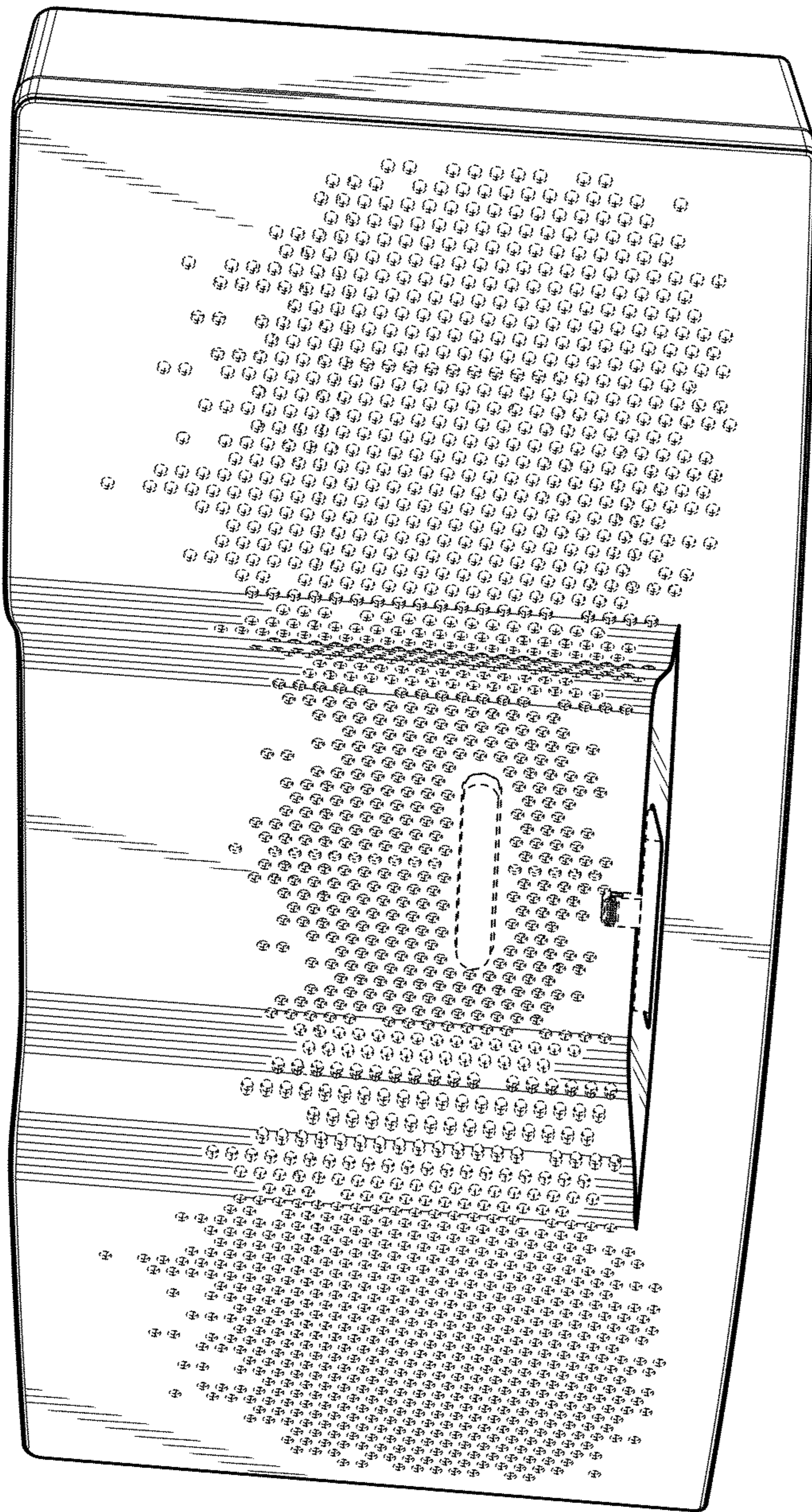


FIG. 1

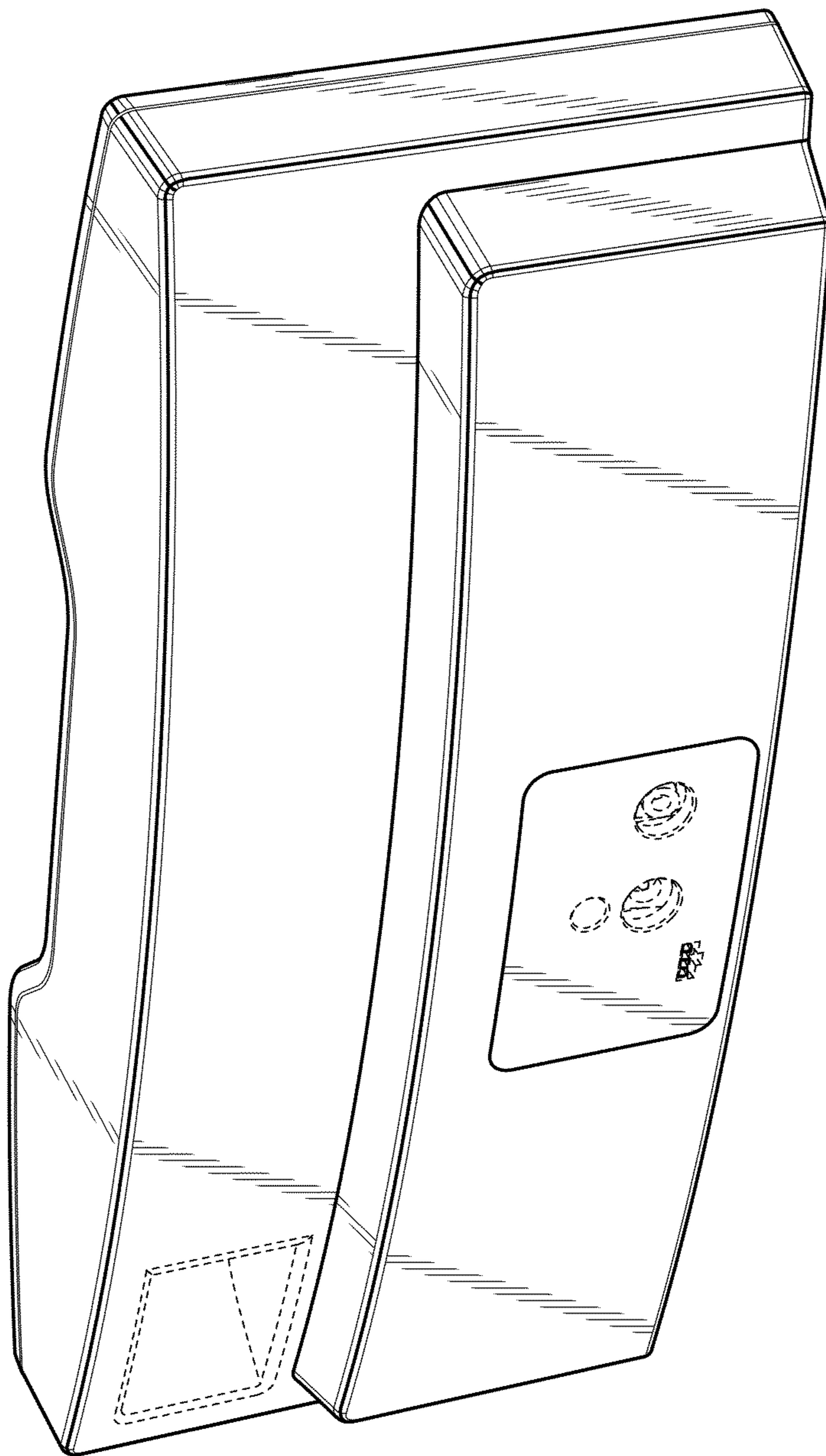


FIG. 2

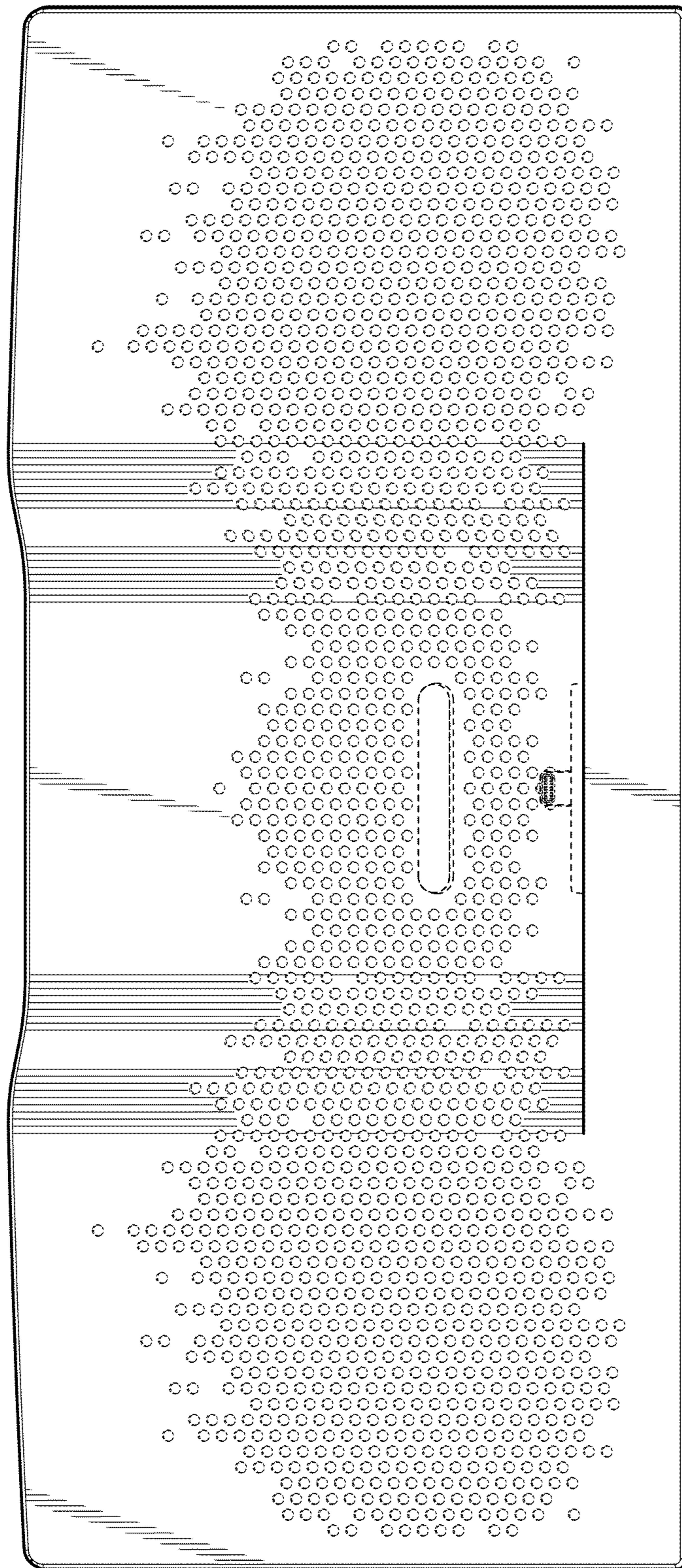


FIG. 3

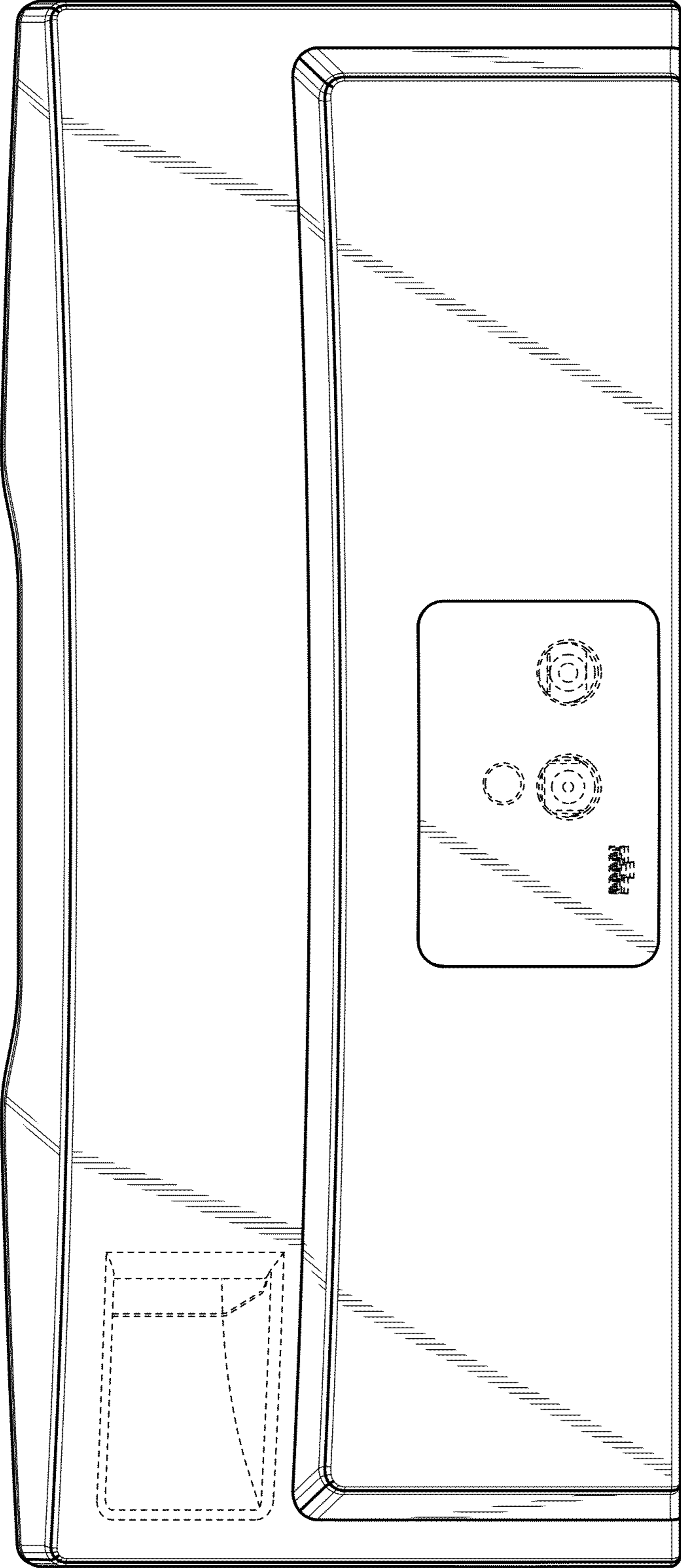


FIG. 4

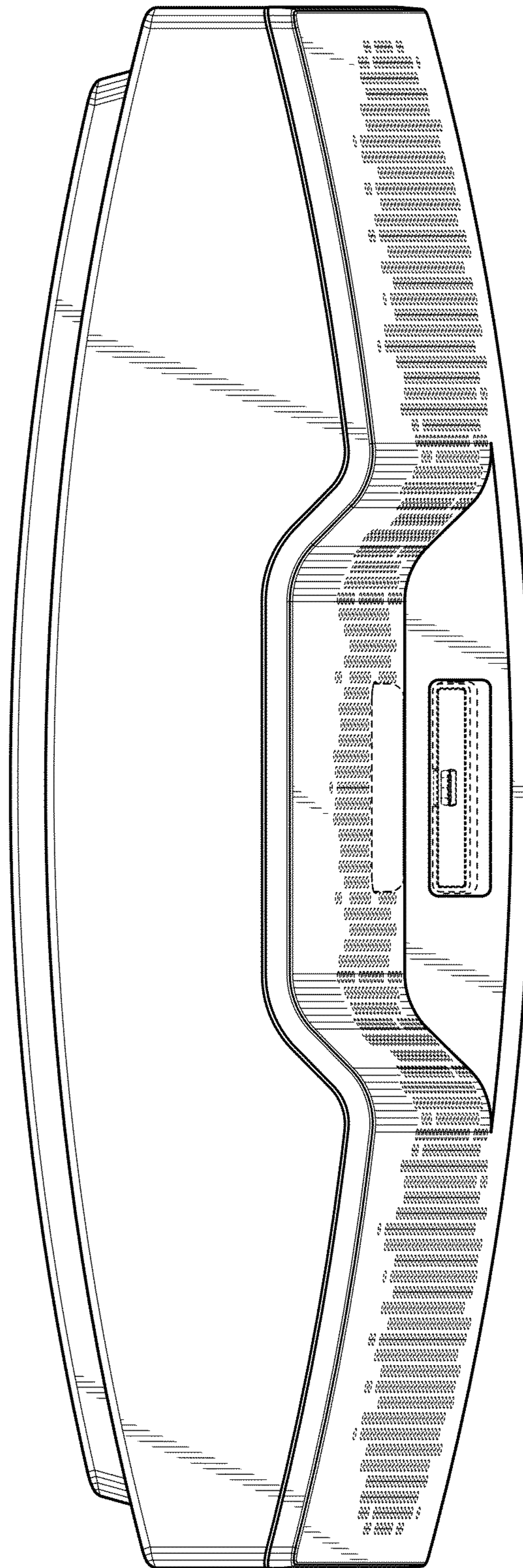


FIG. 5

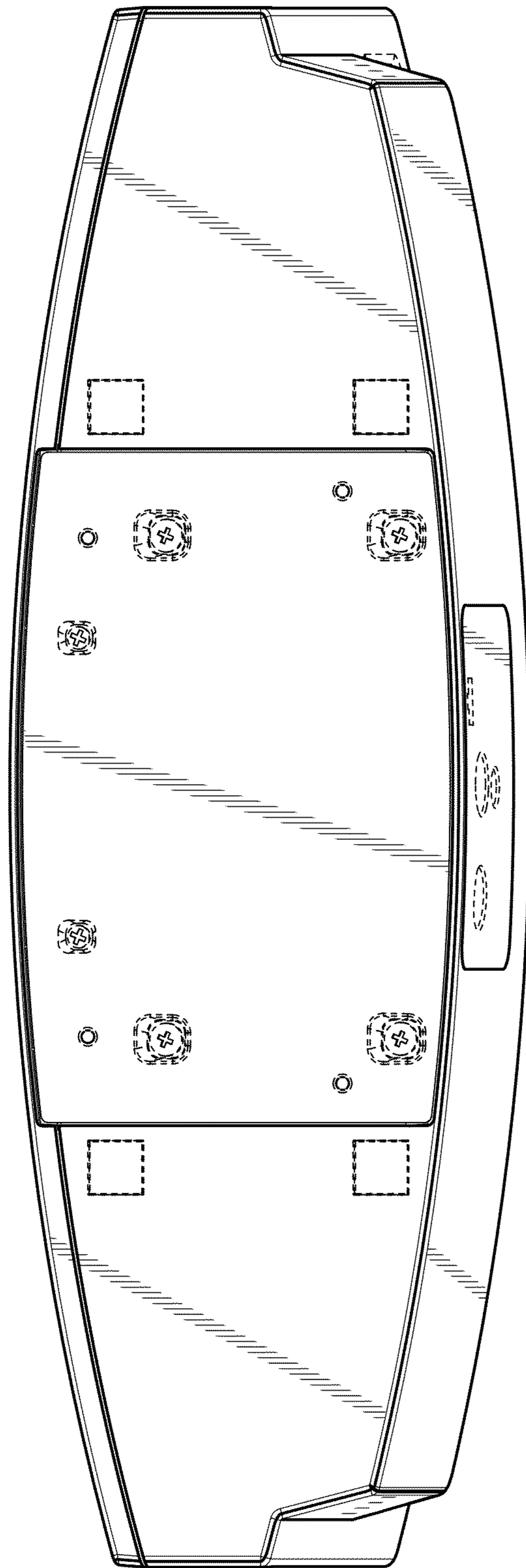


FIG. 6

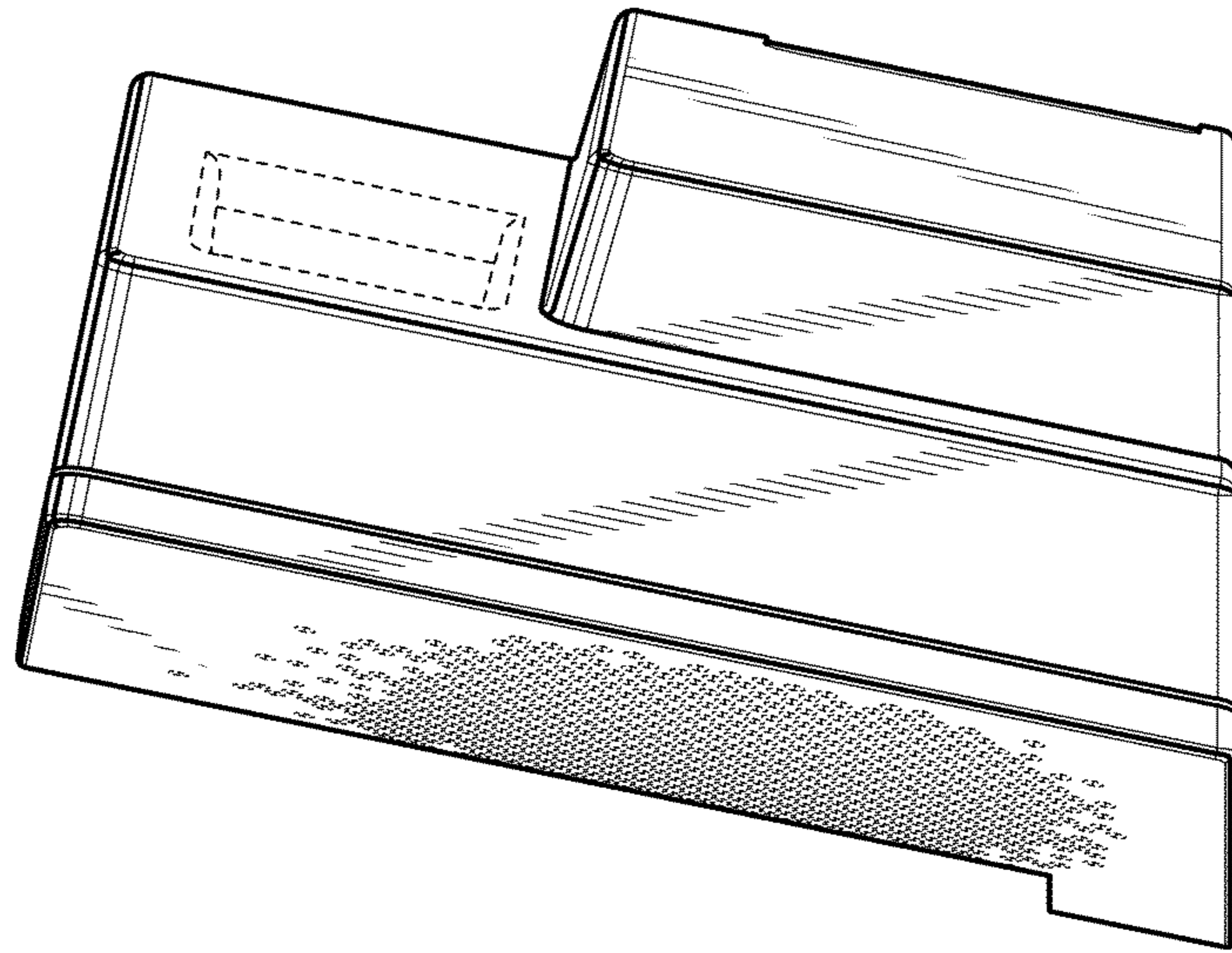


FIG. 8

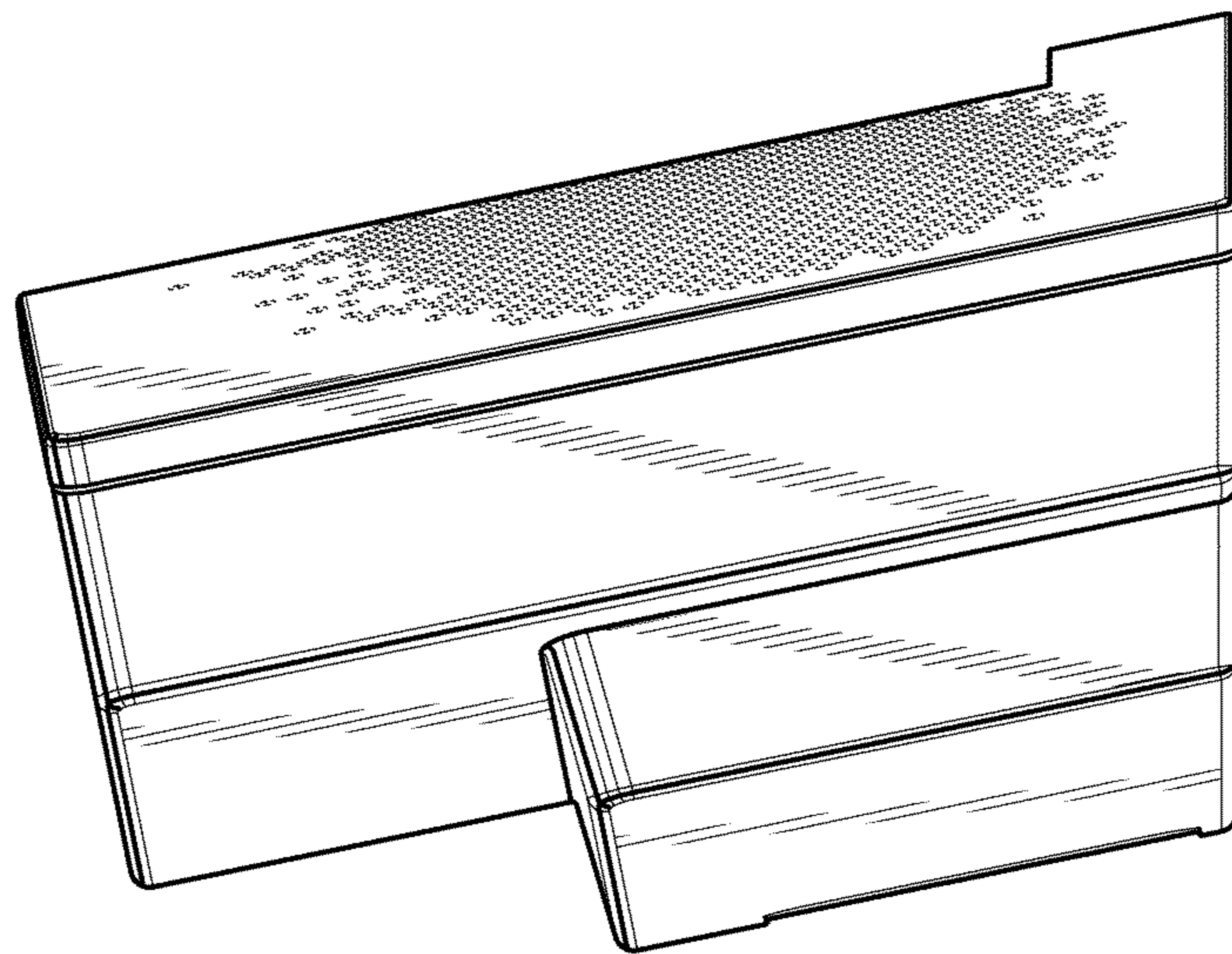


FIG. 7