



US00D755154S

(12) **United States Design Patent**
Paterson

(10) **Patent No.:** **US D755,154 S**
(45) **Date of Patent:** **** May 3, 2016**

(54) **SPEAKER**

(71) Applicant: **GIBSON INNOVATIONS BELGIUM N.V.**, Leuven (BE)

(72) Inventor: **Michael Edward James Paterson**, Singapore (SG)

(73) Assignee: **GIBSON INNOVATIONS BELGIUM NV**, Leuven (BE)

(**) Term: **14 Years**

(21) Appl. No.: **29/481,939**

(22) Filed: **Feb. 12, 2014**

(30) **Foreign Application Priority Data**

Aug. 15, 2013 (EM) 002292300-0001

(51) **LOC (10) Cl.** **14-01**

(52) **U.S. Cl.**
USPC **D14/204**

(58) **Field of Classification Search**
USPC D3/20, 200, 201, 273, 276;
D7/601-603, 615, 629, 630, 709;
D9/414, 420, 423, 432, 435, 443;
D14/196, 203.1, 204, 212, 214, 314,
D14/348, 365; 181/143, 144, 147, 148, 150,
181/153, 157, 198, 199; 381/300-302, 336,
381/345, 361-364, 386-388
CPC B65D 1/42; B65D 79/005; H04R 1/02;
H04R 1/021; H04R 1/023; H04R 5/00;
H04R 9/06

See application file for complete search history.

(56) **References Cited**

U.S. PATENT DOCUMENTS

D387,982 S * 12/1997 Kaplan D9/423
D407,610 S * 4/1999 Weterrings et al. D7/614
D437,779 S * 2/2001 Randall et al. D9/418
D487,449 S * 3/2004 Ota D14/168
D629,827 S * 12/2010 Morenstein et al. D16/221
D668,143 S * 10/2012 Akana et al. D9/424
2010/0308044 A1 * 12/2010 Perry et al. 220/200

* cited by examiner

Primary Examiner — Derrick Holland

Assistant Examiner — Janice Lim

(74) *Attorney, Agent, or Firm* — Bates & Bates, LLC

(57) **CLAIM**

The ornamental design for a speaker, as shown and described.

DESCRIPTION

FIG. 1 is a perspective view of a speaker, showing my new design;

FIG. 2 is a front elevational view of the speaker of FIG. 1;

FIG. 3 is a rear elevational view of the speaker of FIG. 1;

FIG. 4 is a left elevational view of the speaker of FIG. 1;

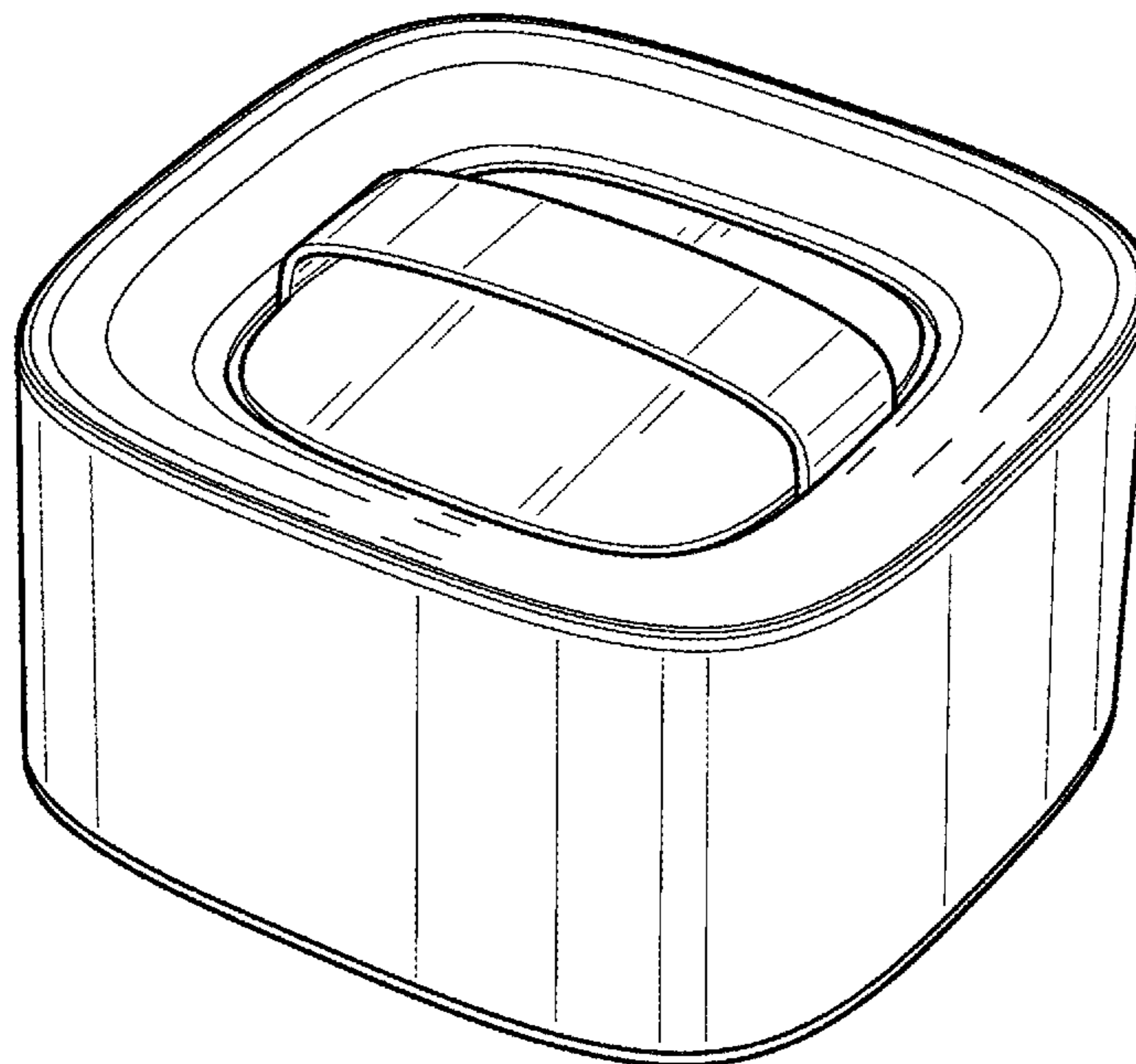
FIG. 5 is a right elevational view of the speaker of FIG. 1;

FIG. 6 is a top plan view of the speaker of FIG. 1; and,

FIG. 7 is a bottom plan view of the speaker of FIG. 1.

The broken line portions of FIGS. 3 and 7 are included to show unclaimed subject matter only and form no part of the claimed design.

1 Claim, 5 Drawing Sheets



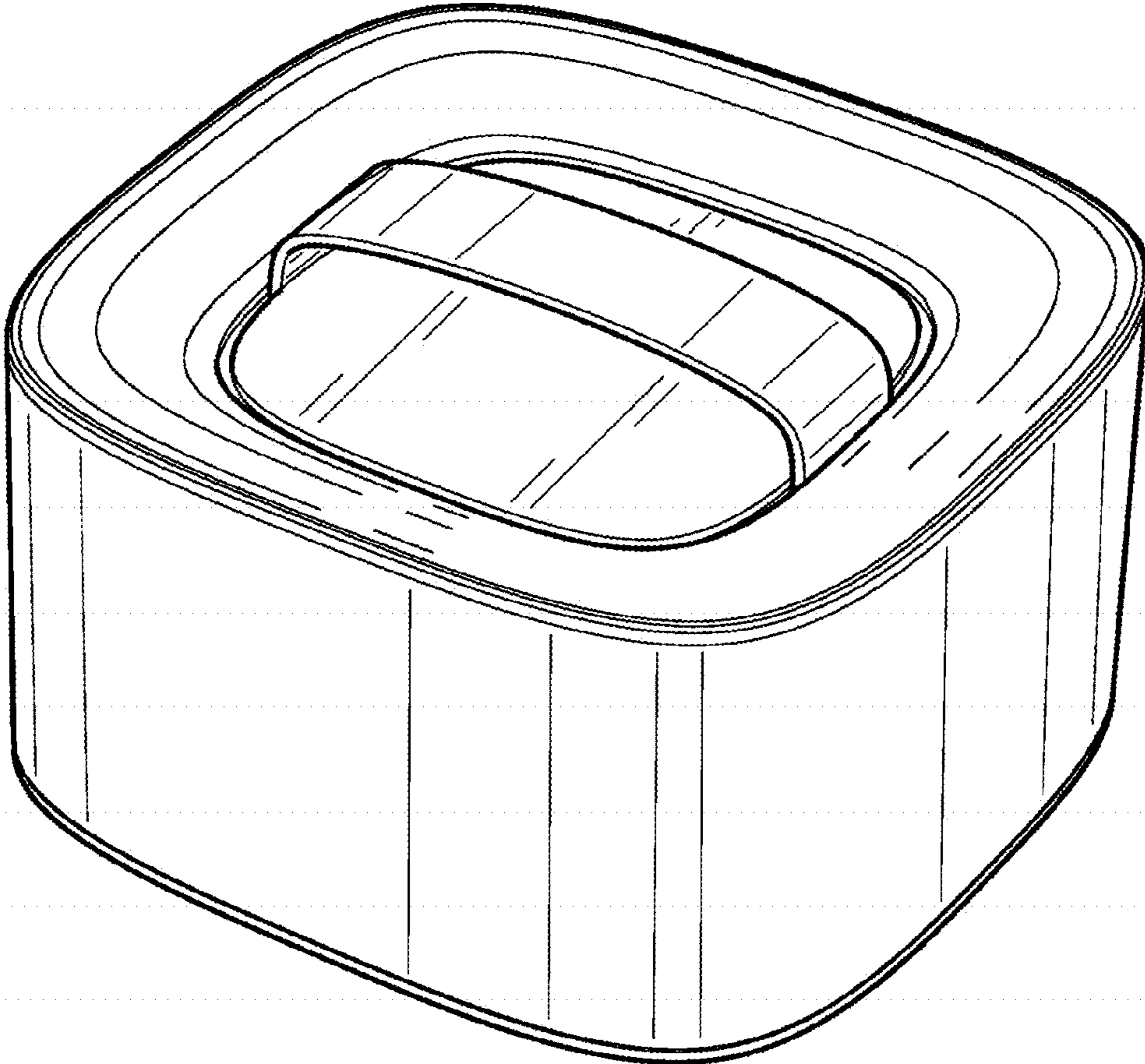


FIG. 1

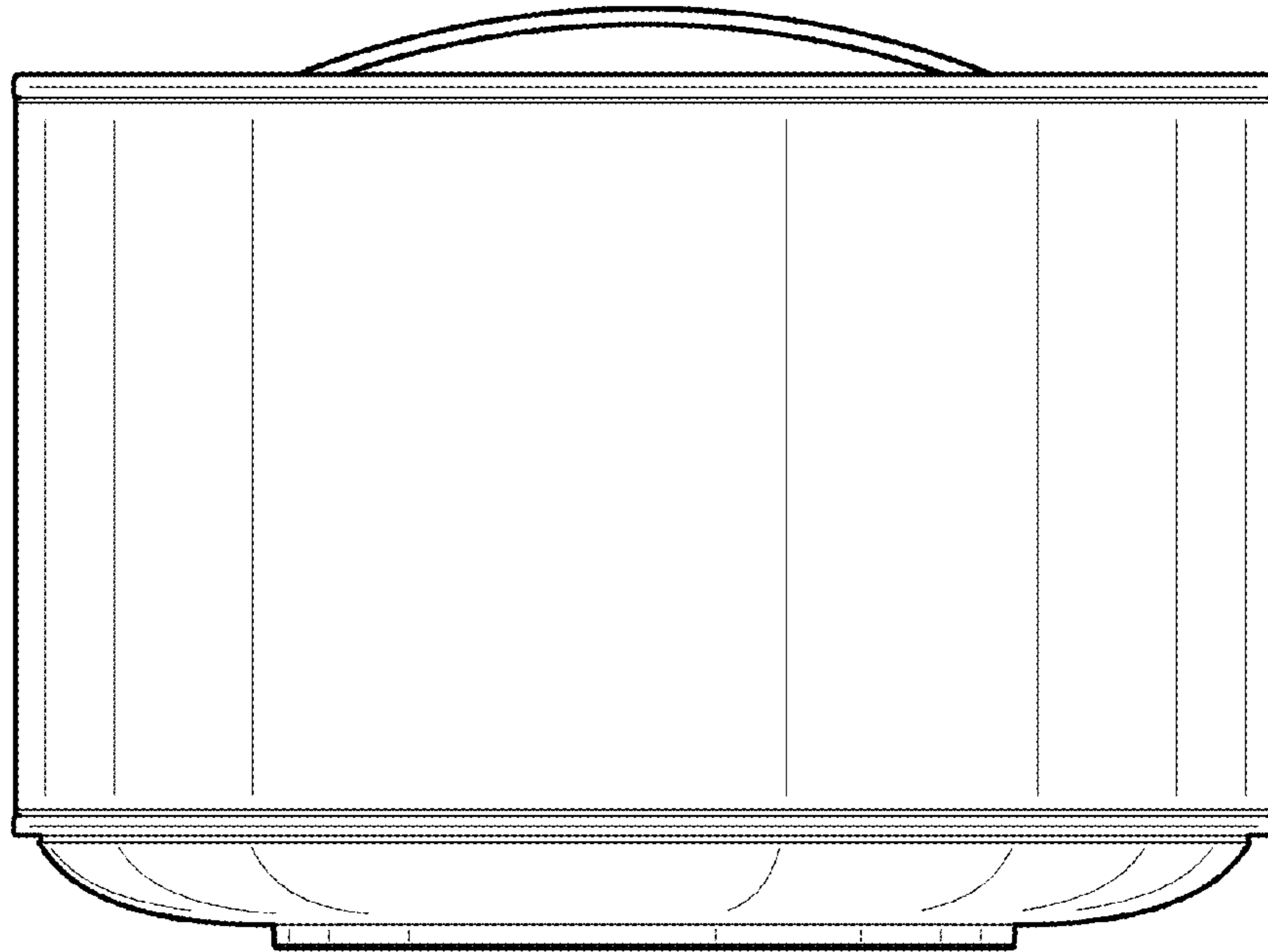


FIG. 2

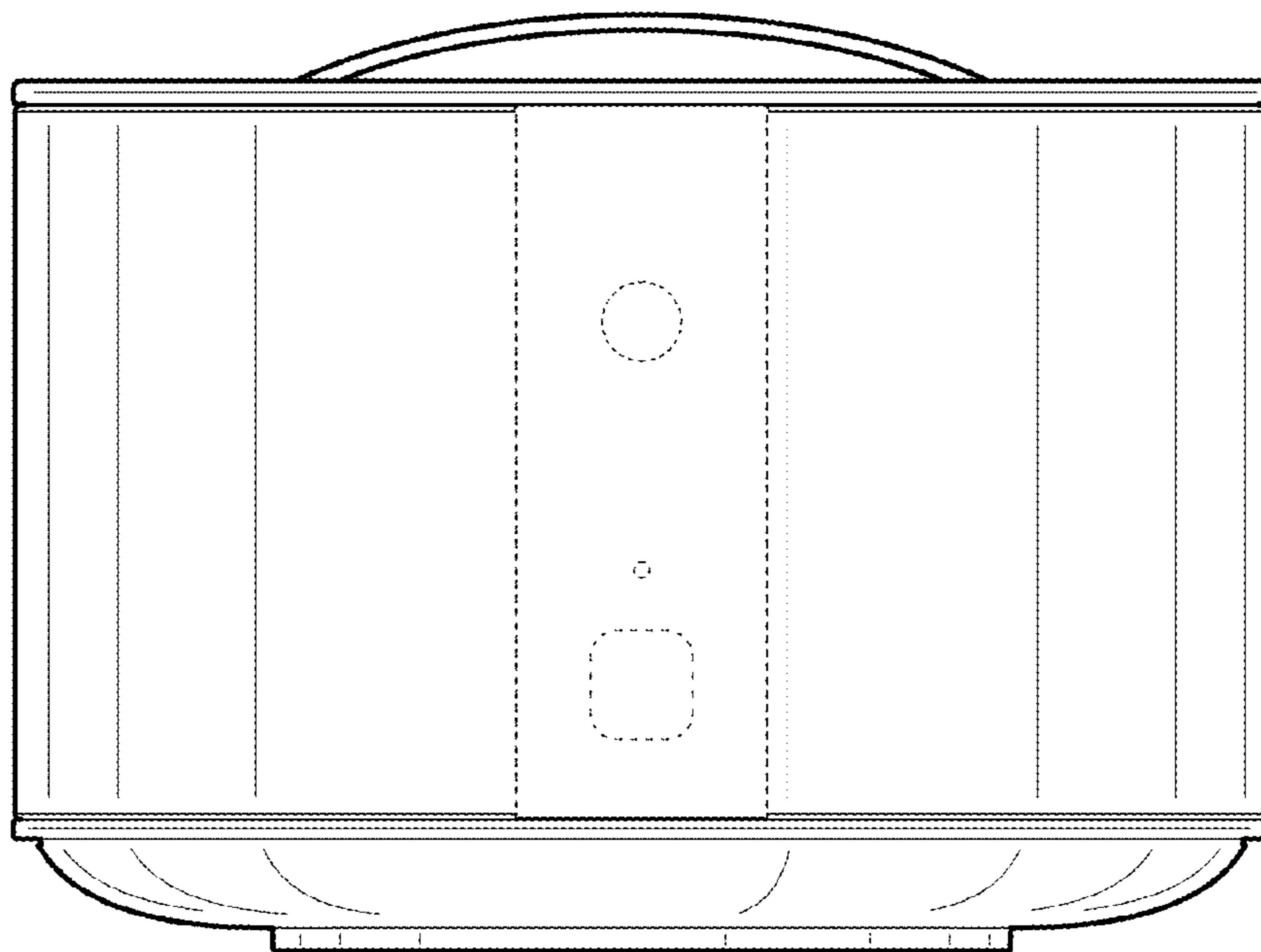


FIG. 3

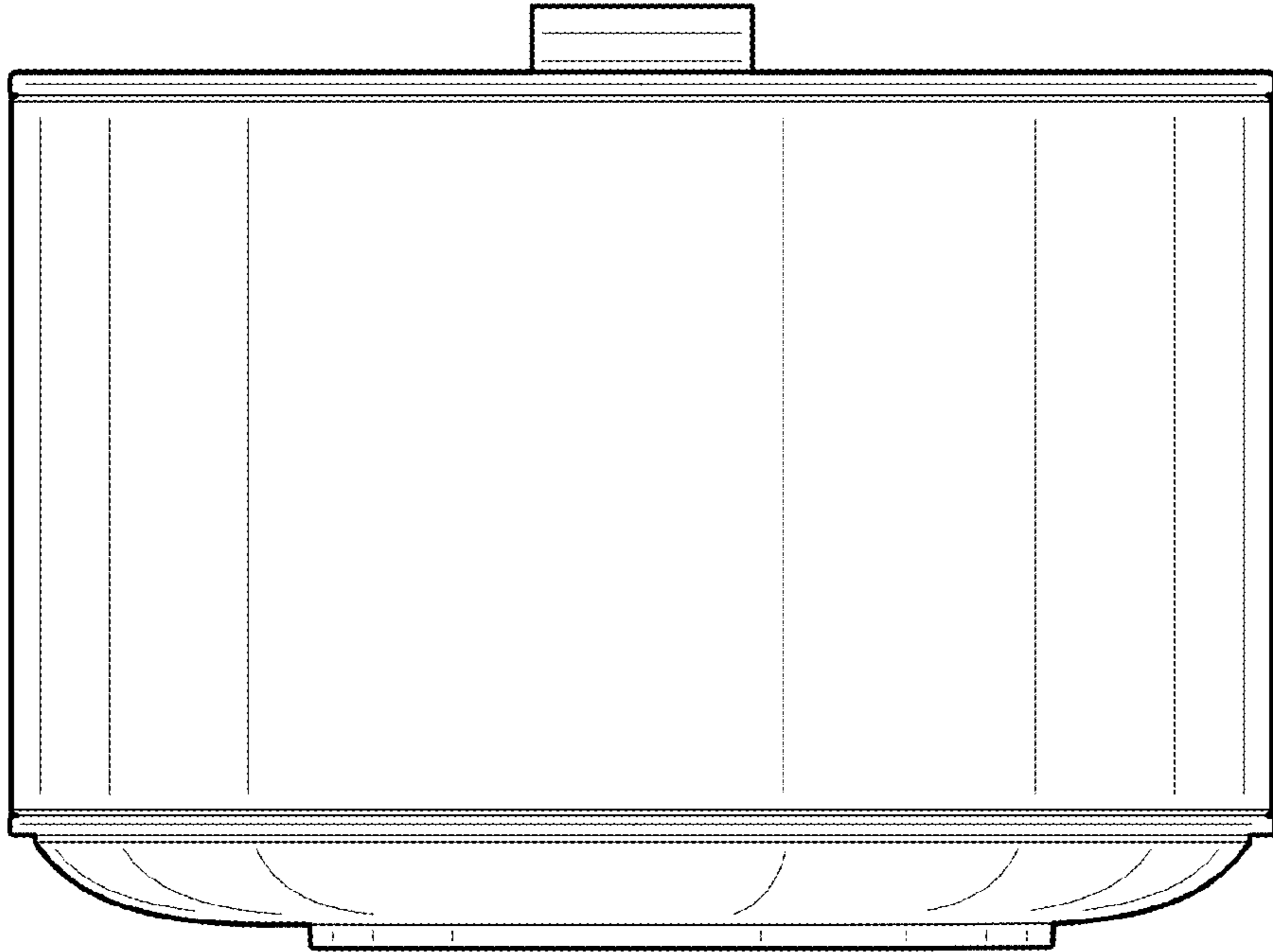


FIG. 4

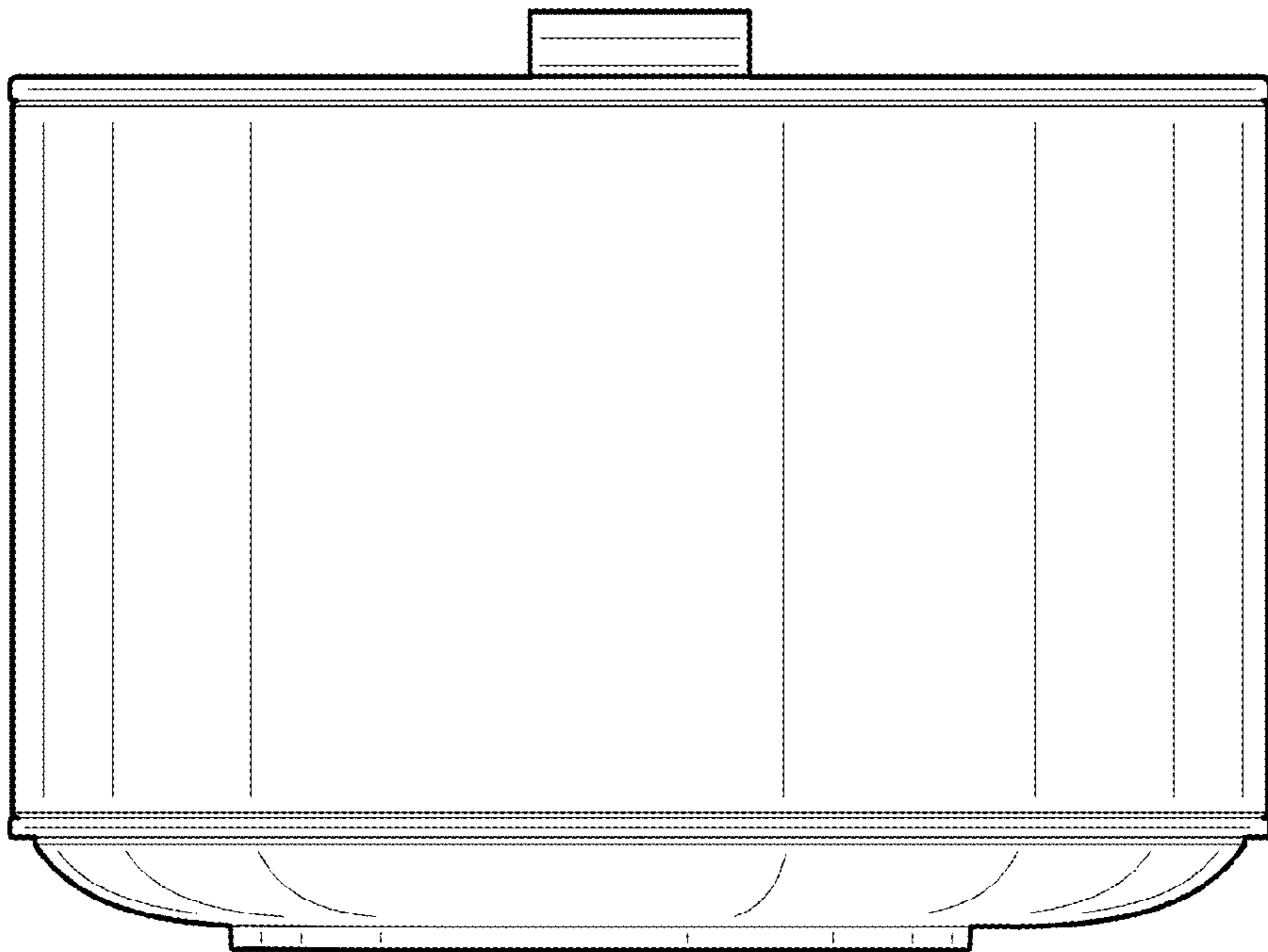


FIG. 5

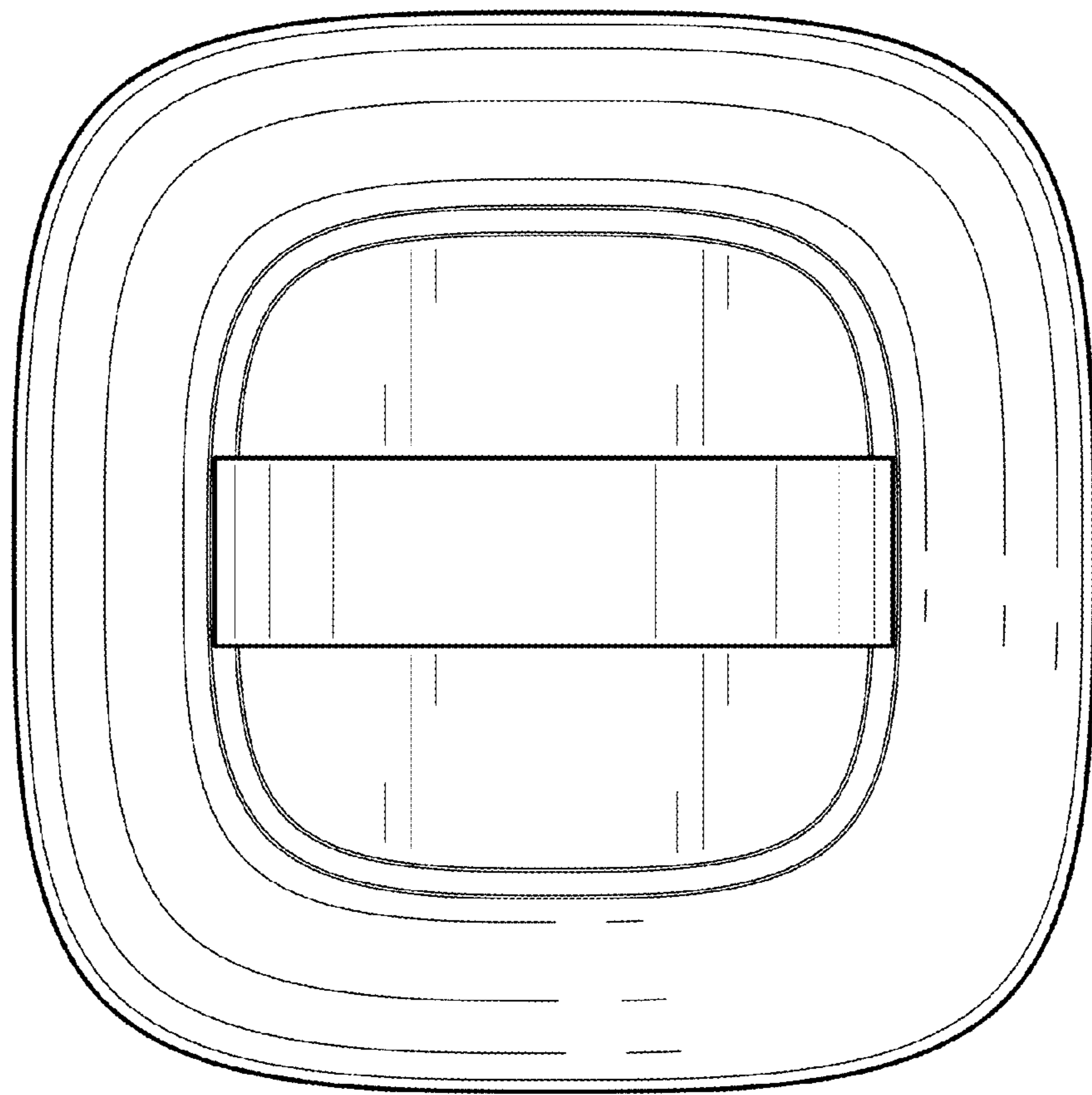


FIG. 6

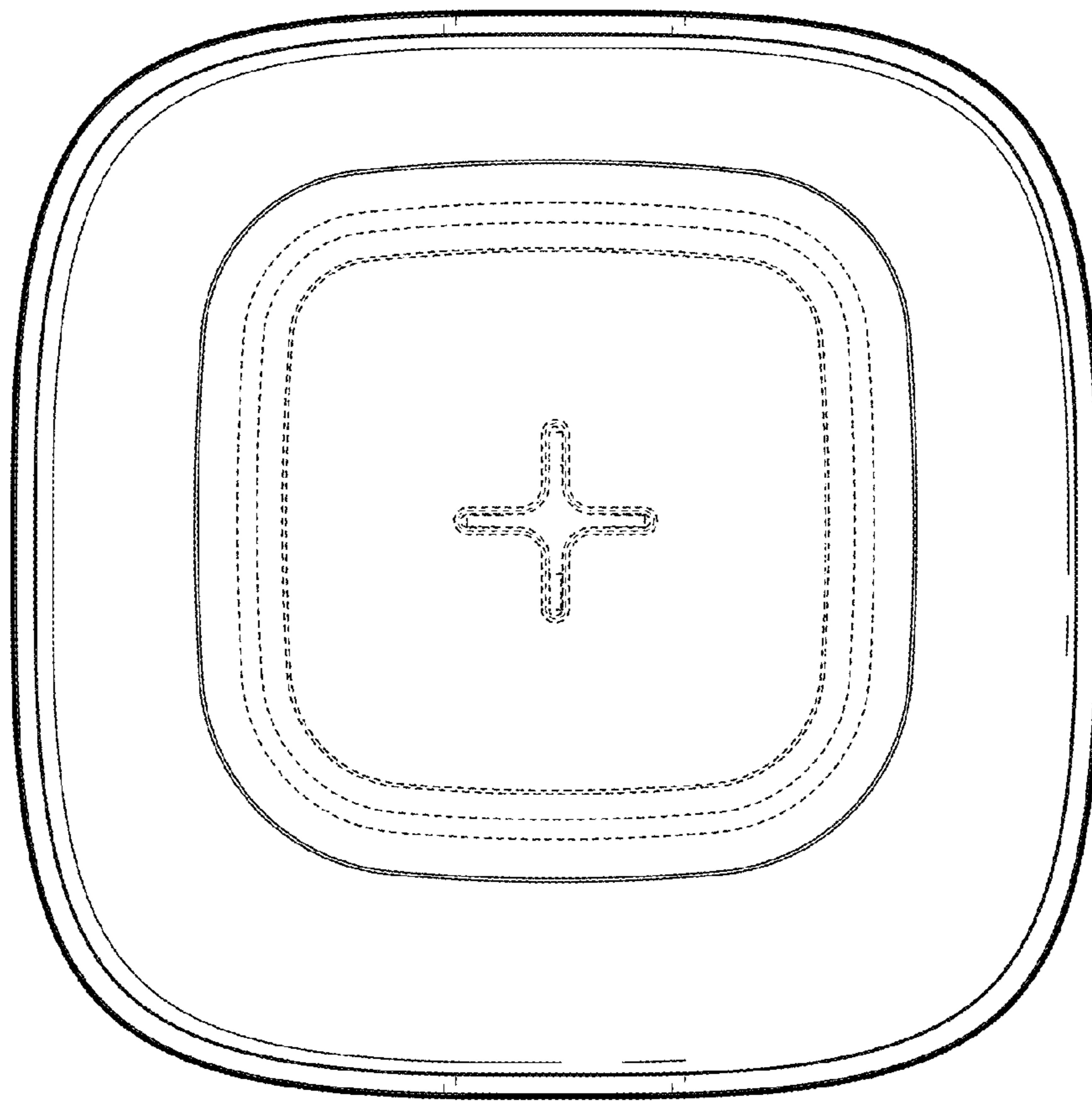


FIG. 7