



US00D755144S

(12) **United States Design Patent**
Kim et al.

(10) **Patent No.:** **US D755,144 S**

(45) **Date of Patent:** **** May 3, 2016**

(54) **TV RECEIVER**

(56) **References Cited**

(71) Applicant: **LG ELECTRONICS INC.**, Seoul (KR)

U.S. PATENT DOCUMENTS

(72) Inventors: **Yeonjin Kim**, Seoul (KR); **Hyeyoung Hong**, Seoul (KR); **Jongchul Kim**, Seoul (KR); **Junghoon Lee**, Seoul (KR)

D661,269	S	*	6/2012	Lee et al.	D14/126
D671,513	S	*	11/2012	Jang et al.	D14/126
D678,853	S	*	3/2013	Kim et al.	D14/126
D683,710	S	*	6/2013	Jeon et al.	D14/126
D684,132	S	*	6/2013	Lee et al.	D14/126
D690,675	S	*	10/2013	Kim et al.	D14/126
D691,977	S	*	10/2013	Lee et al.	D14/126
D701,188	S	*	3/2014	Lee	D14/126
D705,185	S	*	5/2014	Jeon et al.	D14/126
D736,730	S	*	8/2015	Hong	D14/126

(73) Assignee: **LG ELECTRONICS INC.**, Seoul (KR)

(**) Term: **14 Years**

* cited by examiner

(21) Appl. No.: **29/519,330**

(22) Filed: **Mar. 4, 2015**

Primary Examiner — Raphael Barkai

(30) **Foreign Application Priority Data**

Sep. 5, 2014 (KR) 30-2014-0043585

(74) *Attorney, Agent, or Firm* — Birch, Stewart, Kolasch & Birch, LLP

(51) **LOC (10) Cl.** **14-03**

(57) **CLAIM**

(52) **U.S. Cl.**
USPC **D14/126**

The ornamental design for a TV receiver, as shown and described.

(58) **Field of Classification Search**

USPC D14/125-134, 239, 371, 136, 374-377,
D14/440, 450, 448, 336, 342, 159; 312/7.2;
348/836, 838, 180, 184, 325, 739;
248/917-924, 465; 345/104, 133, 156,
345/168, 87, 173; D21/329, 515, 577, 622,
D21/333, 433, 448, 452, 450, 331, 505;
D10/15, 26; 446/484, 175, 356;
D6/477, 479, 300; D20/10, 19, 39
CPC ... G06F 1/1601; G06F 1/1643; H05K 5/0004;
H05K 5/0017; H05K 5/02; H05K 5/0217;
H05K 13/0459

See application file for complete search history.

DESCRIPTION

FIG. 1 is a front, right side, perspective view of a TV receiver showing our new design;
FIG. 2 is a front view thereof;
FIG. 3 is a rear view thereof
FIG. 4 is a left side view thereof;
FIG. 5 is a right side view thereof;
FIG. 6 is a top view thereof; and,
FIG. 7 is a bottom view thereof.

1 Claim, 6 Drawing Sheets

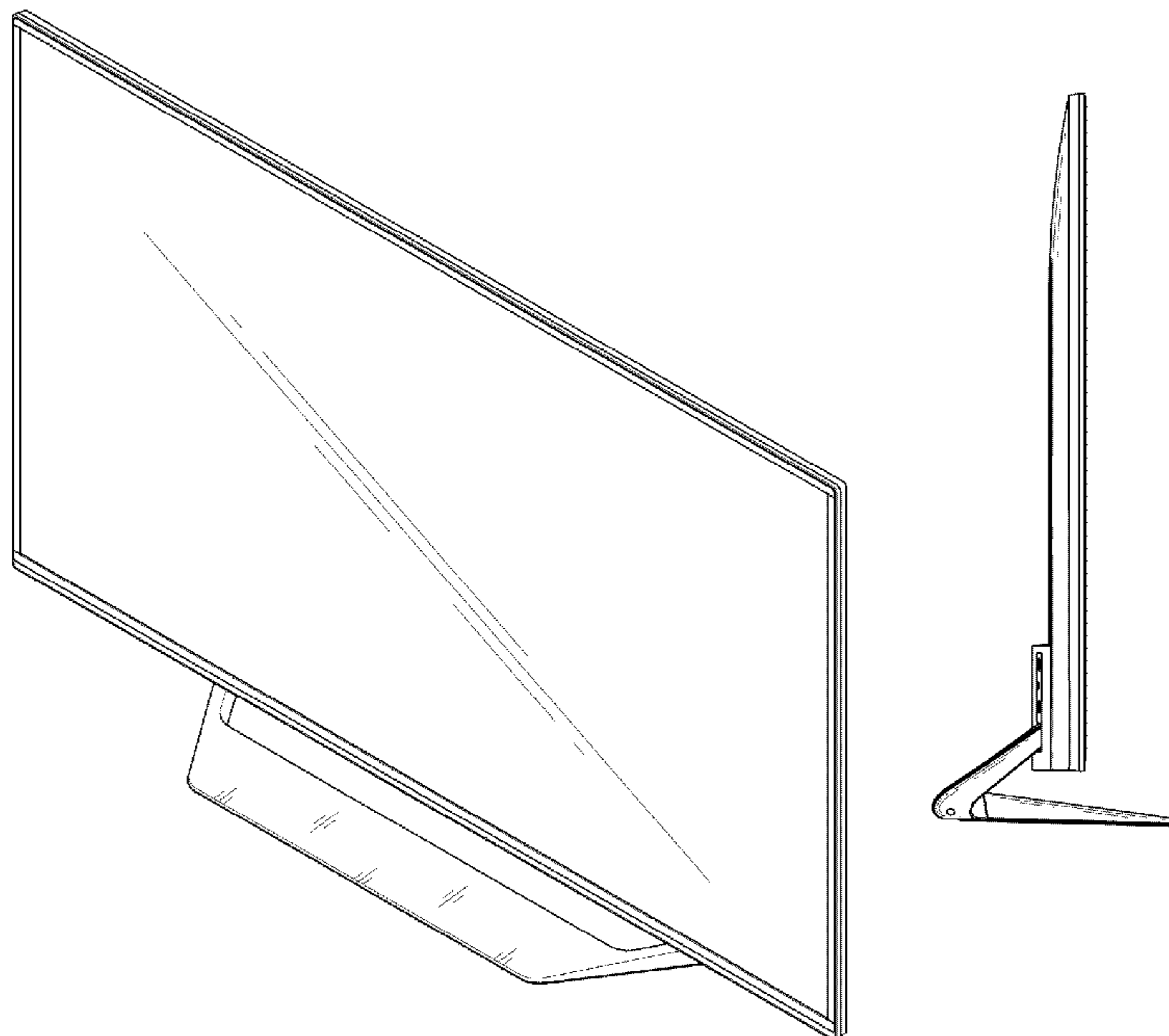


FIG. 1

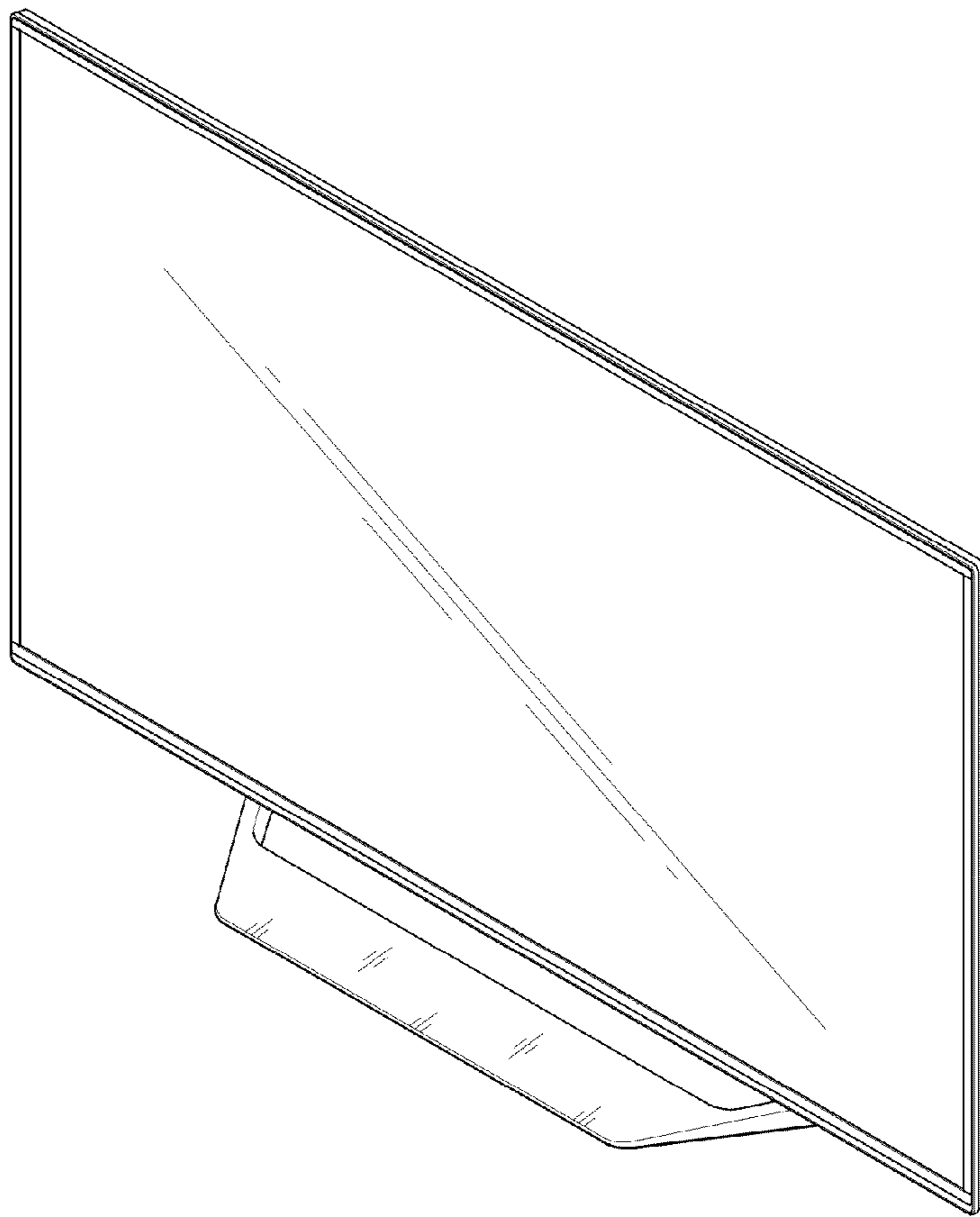


FIG. 2

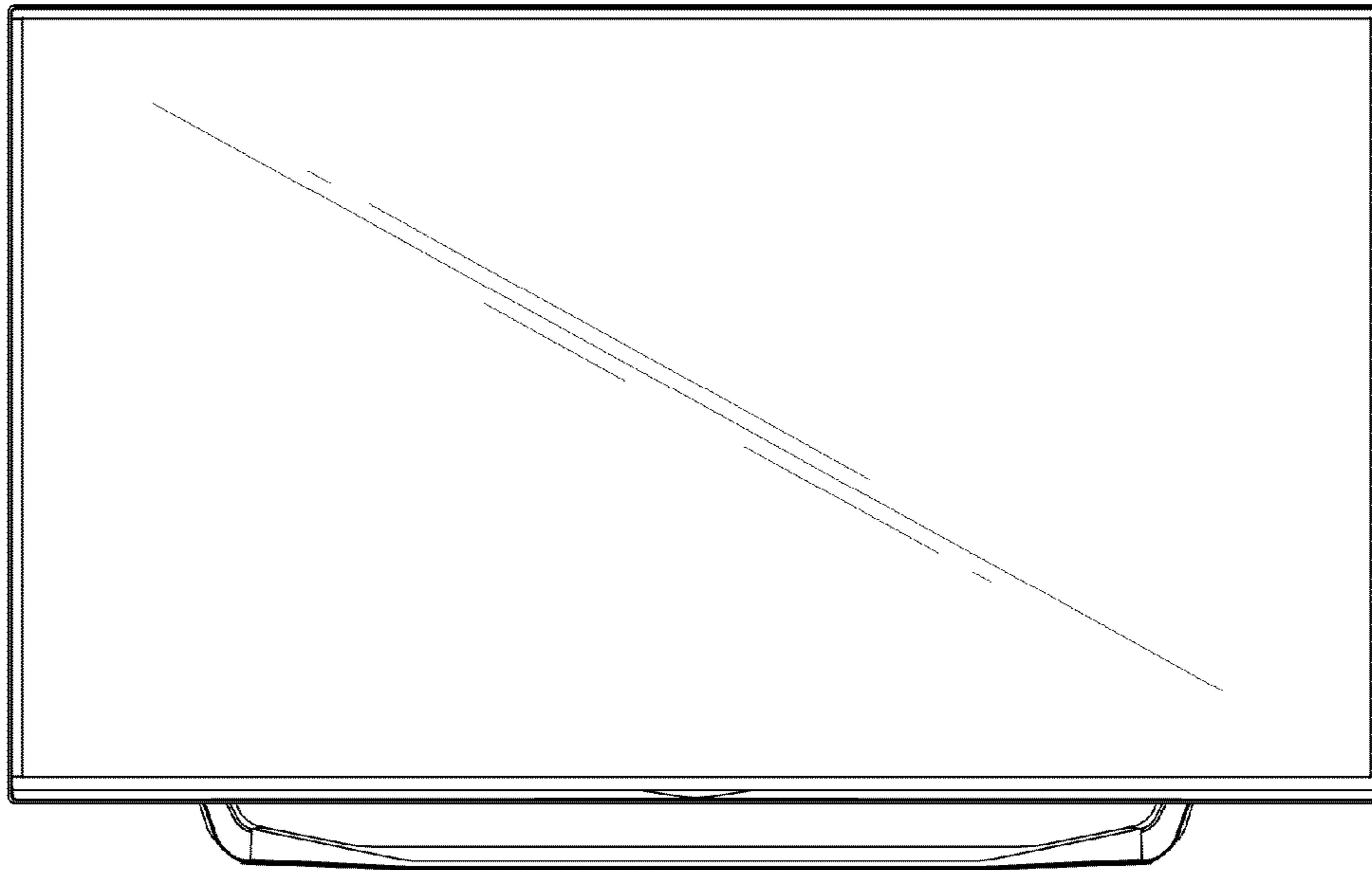


FIG. 3

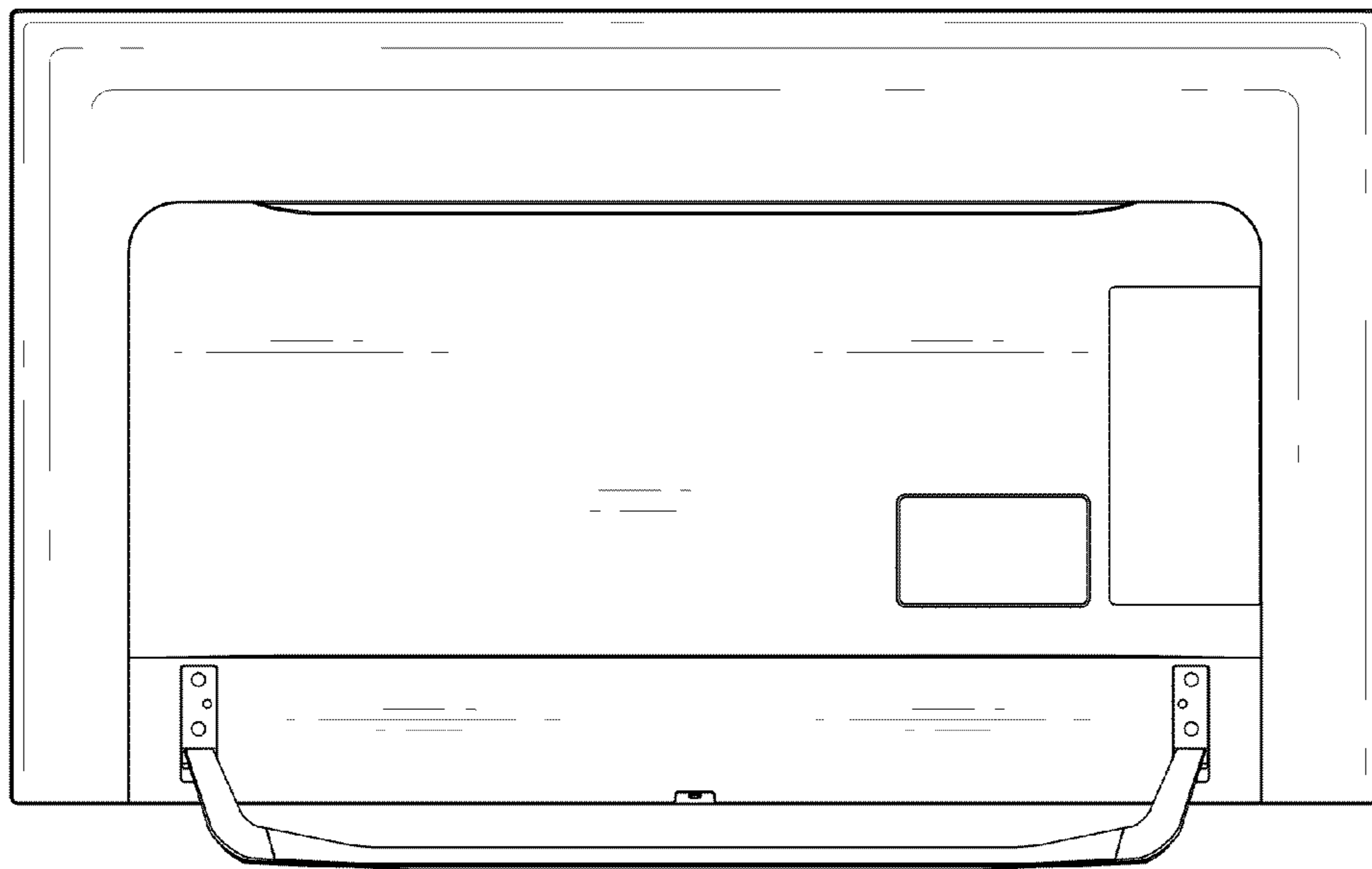


FIG. 4

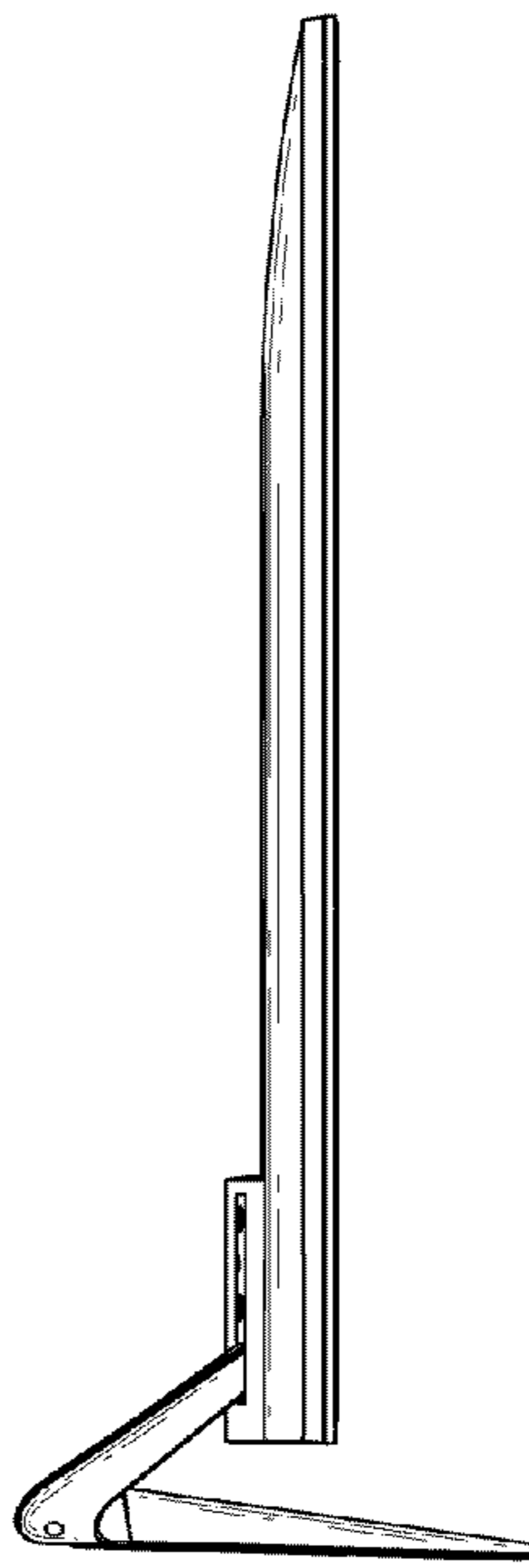


FIG. 5

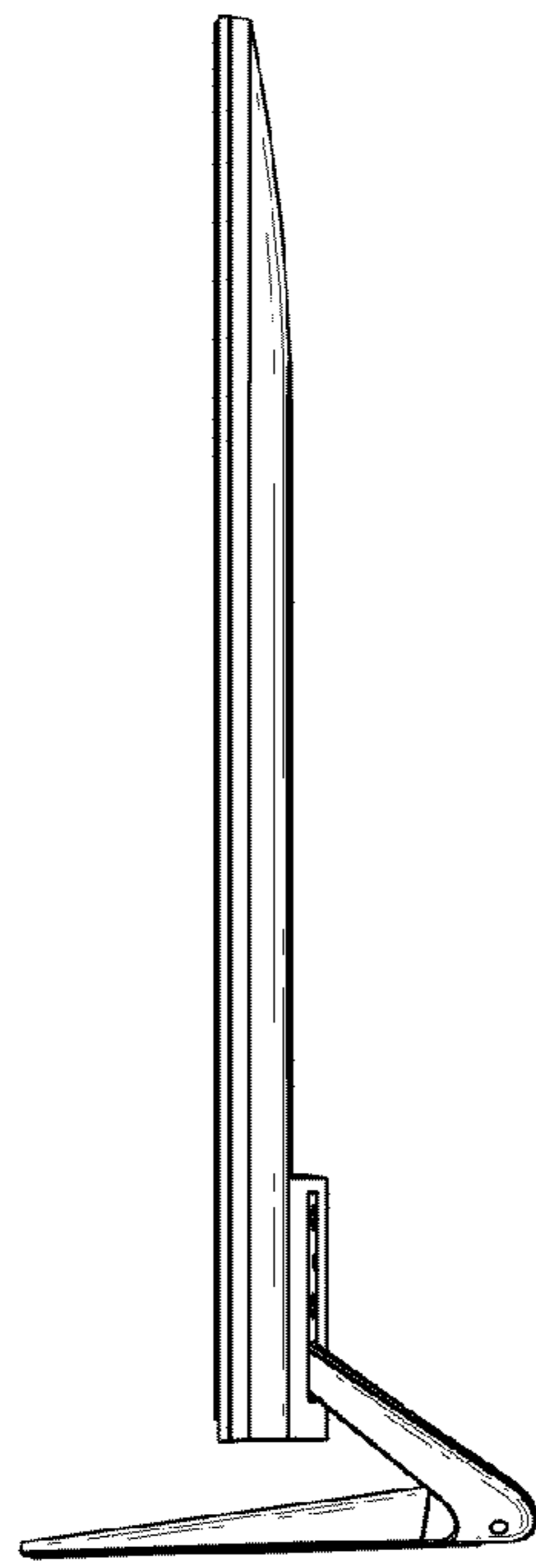


FIG. 6

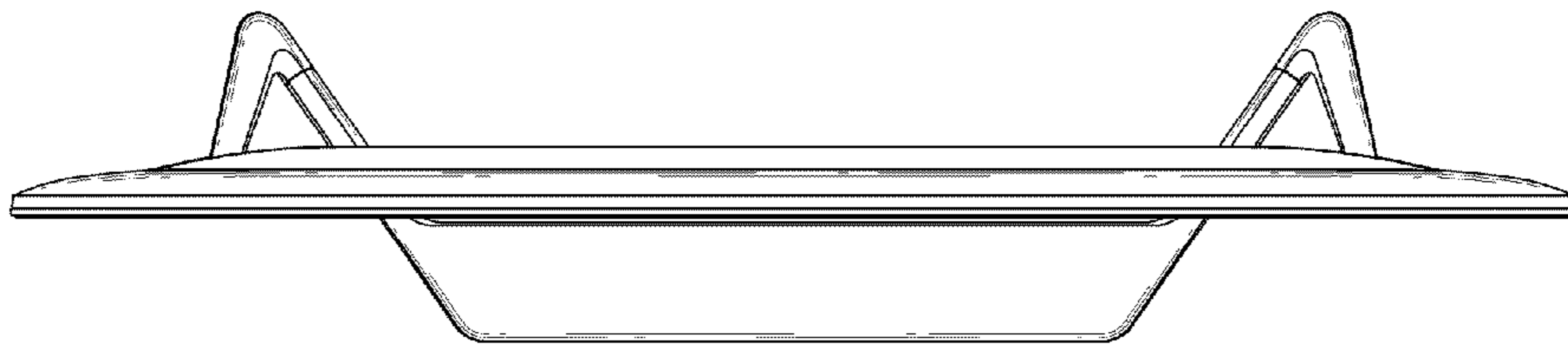


FIG. 7

