



US00D755142S

(12) **United States Design Patent**
Kang

(10) **Patent No.:** **US D755,142 S**
(45) **Date of Patent:** **** May 3, 2016**

(54) **TELEVISION**

(71) Applicant: **Samsung Electronics Co., Ltd.**,
Suwon-si, Gyeonggi-do (KR)
(72) Inventor: **Danbi Kang**, Seoul (KR)
(73) Assignee: **SAMSUNG ELECTRONICS CO., LTD.**,
Suwon-Si, Gyeonggi-Do (KR)

(**) Term: **14 Years**

(21) Appl. No.: **29/518,706**

(22) Filed: **Feb. 26, 2015**

(30) **Foreign Application Priority Data**

Aug. 29, 2014 (KR) 30-2014-0042361

(51) **LOC (10) Cl.** **14-03**

(52) **U.S. Cl.**
USPC **D14/126**

(58) **Field of Classification Search**
USPC D14/125-134, 239, 371, 136, 374-377,
D14/440, 450, 448, 336, 342, 159; 312/7.2;
348/836, 838, 180, 184, 325, 739;
248/917-924, 465; 345/104, 133, 156,
345/168, 87, 173; D21/329, 515, 577, 622,
D21/333, 433, 448, 452, 450, 331, 505;
D10/15, 26; 446/484, 175, 356;
D6/477, 479, 300; D20/10, 19, 39
CPC ... G06F 1/1601; G06F 1/1643; H05K 5/0004;
H05K 5/0017; H05K 5/02; H05K 5/0217;
H04N 13/0459

See application file for complete search history.

(56) **References Cited**

U.S. PATENT DOCUMENTS

D689,836	S	*	9/2013	Park	D14/126
D692,844	S	*	11/2013	Seong	D14/126
D719,117	S	*	12/2014	Huh et al.	D14/126
D723,488	S	*	3/2015	Seo et al.	D14/126
D725,061	S	*	3/2015	Kim et al.	D14/126
D738,889	S	*	9/2015	Balles et al.	D14/485

* cited by examiner

Primary Examiner — Raphael Barkai

(74) *Attorney, Agent, or Firm* — Ladas & Parry LLP

(57) **CLAIM**

I claim the ornamental design for television, as shown and described.

DESCRIPTION

FIG. 1 is the front perspective view of television showing my new design;
FIG. 2 is the front view thereof;
FIG. 3 is the rear view thereof;
FIG. 4 is the left-side view thereof;
FIG. 5 is the right-side view thereof;
FIG. 6 is the top plan view thereof;
FIG. 7 is the bottom plan view thereof; and
FIG. 8 is an enlarged cross-sectional view taken through line A-A of FIG. 2; and,
FIG. 9 is an enlarged view of the portion encircled in FIG. 8. The broken lines illustrating portions of the television are for environmental purposes only and form no part of the claimed design.
The dot-dash broken lines encircling portions of the claimed design that are illustrated in enlargements form no part of the claimed design.

1 Claim, 8 Drawing Sheets

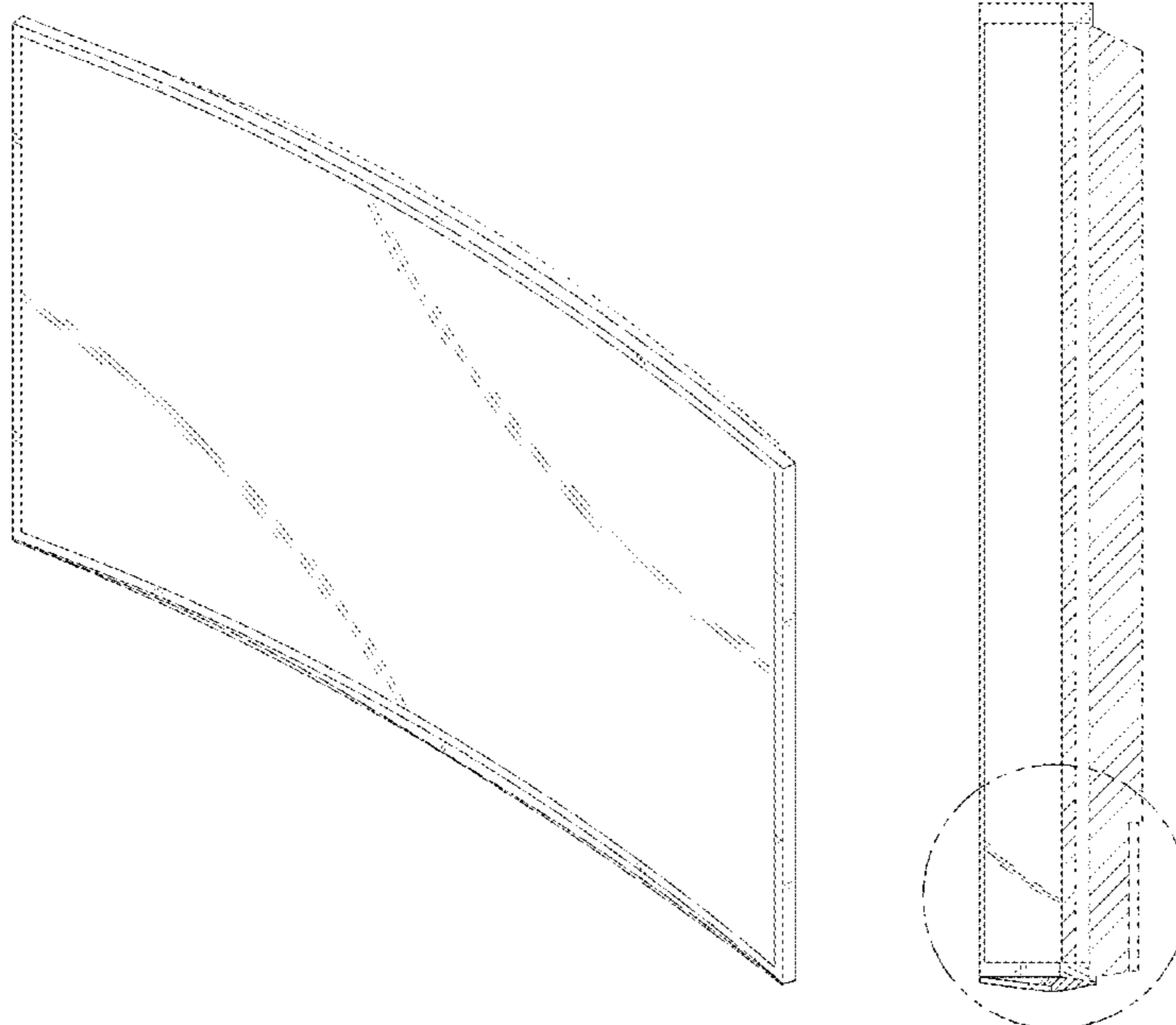


FIG. 1

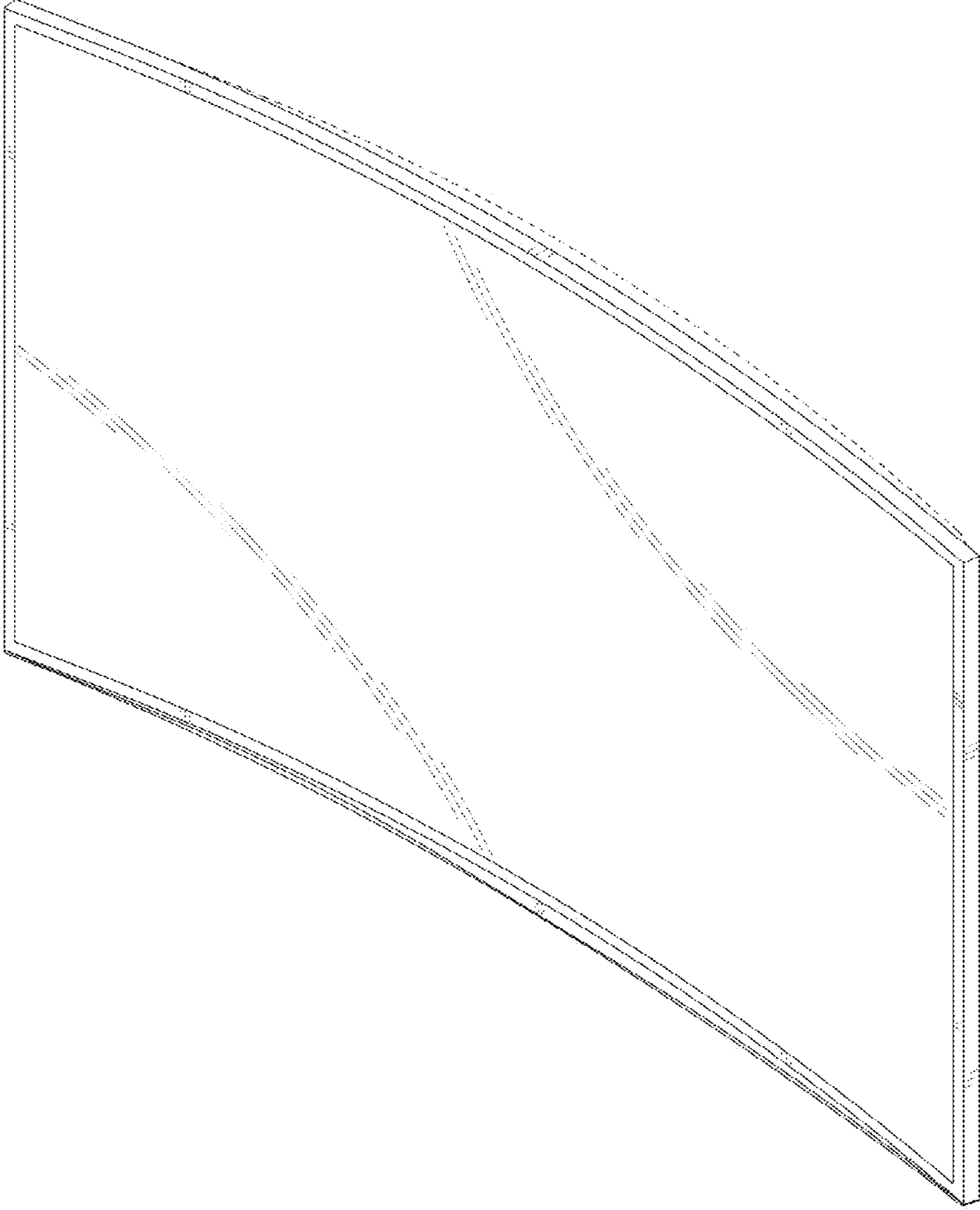


FIG. 2

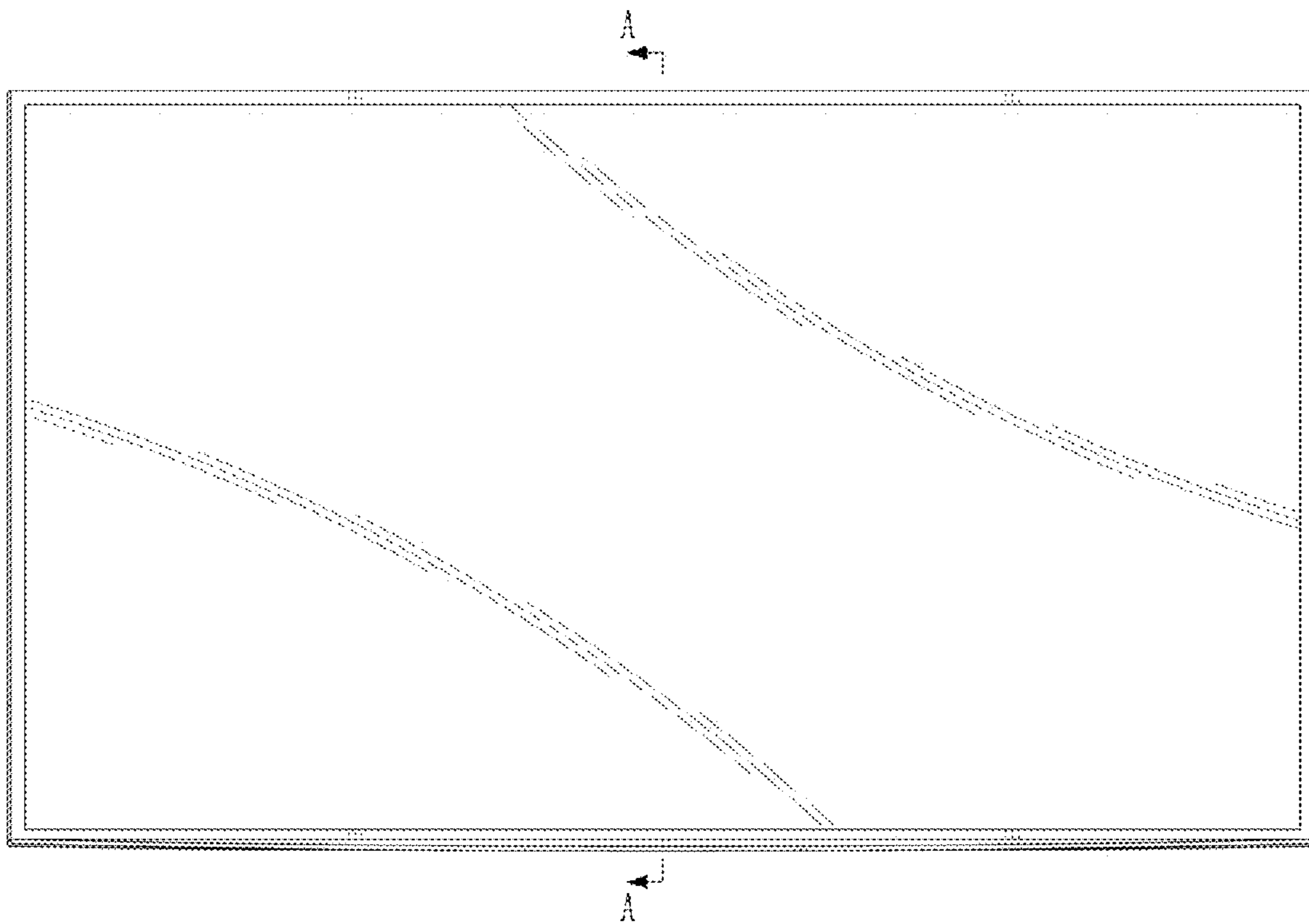


FIG. 3

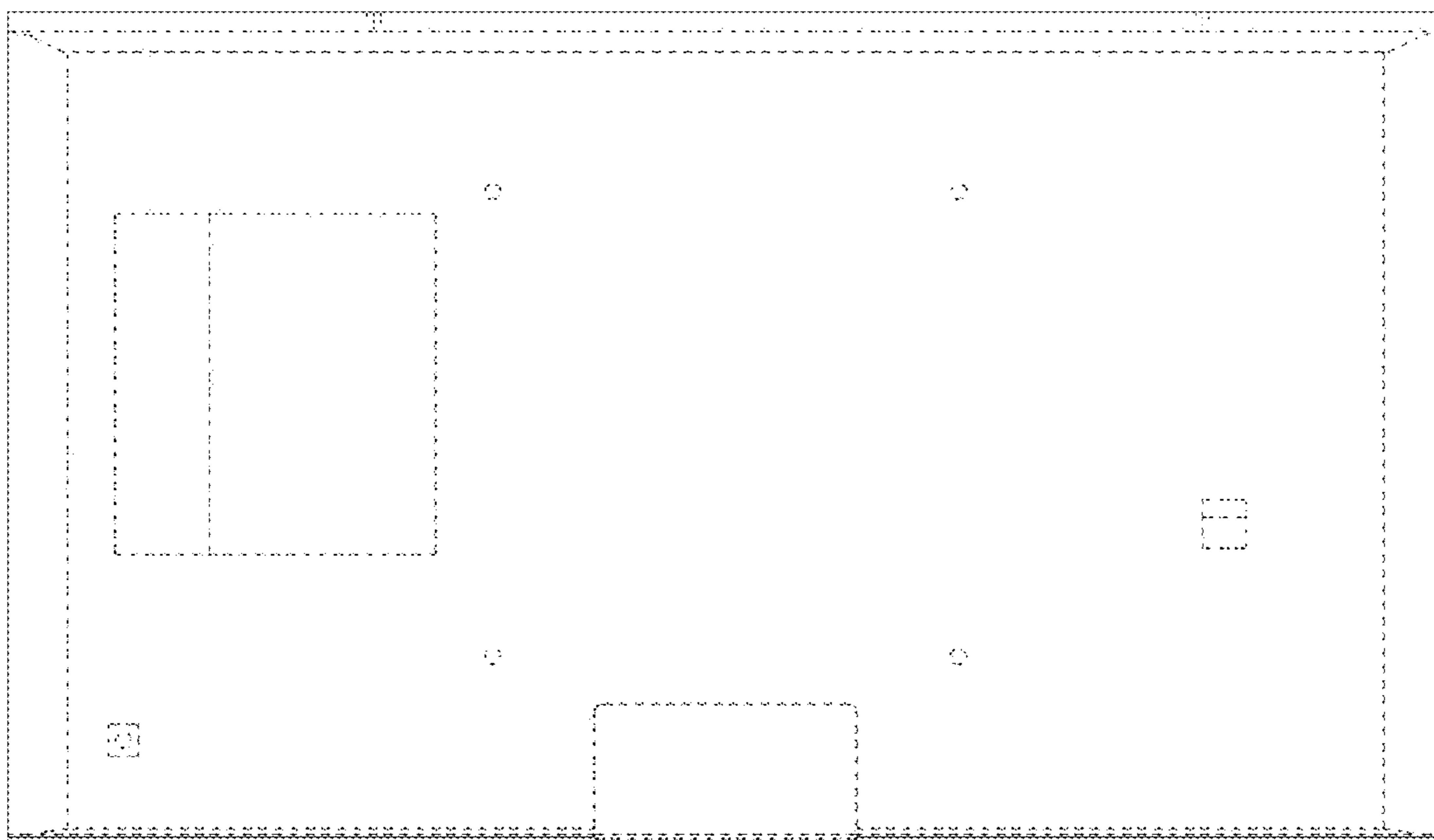


FIG. 4

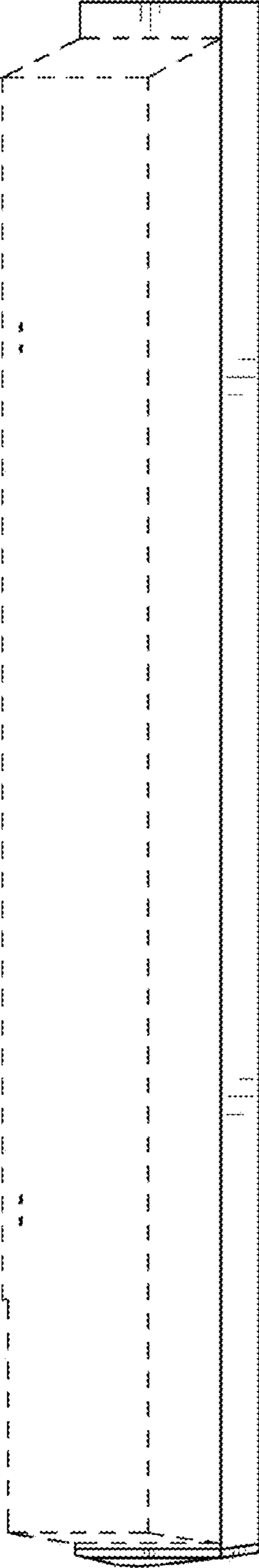


FIG. 5

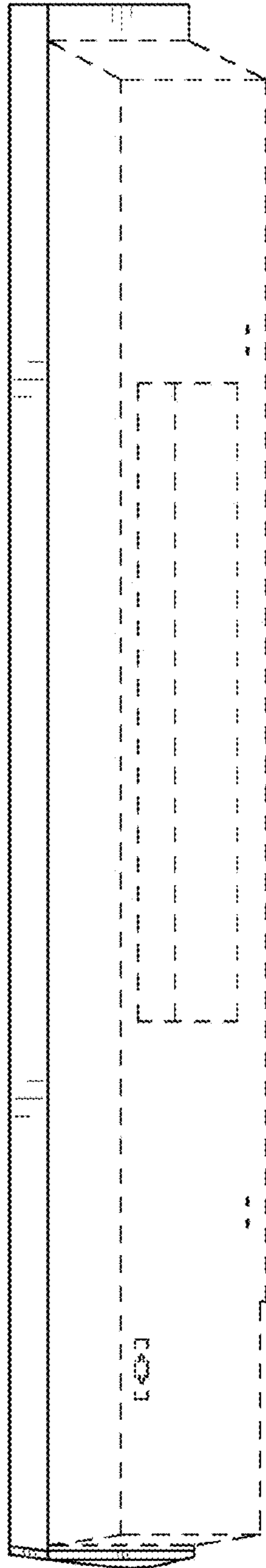


FIG. 6

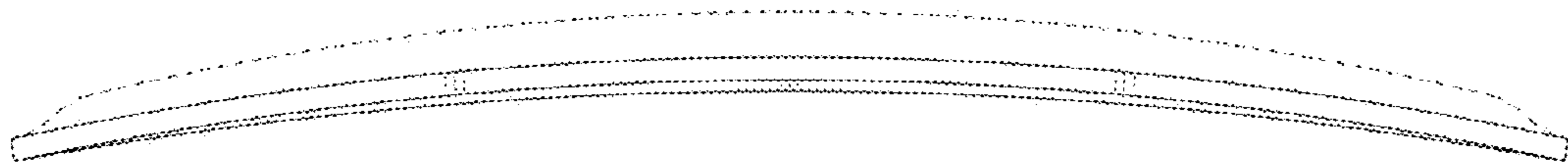


FIG. 7

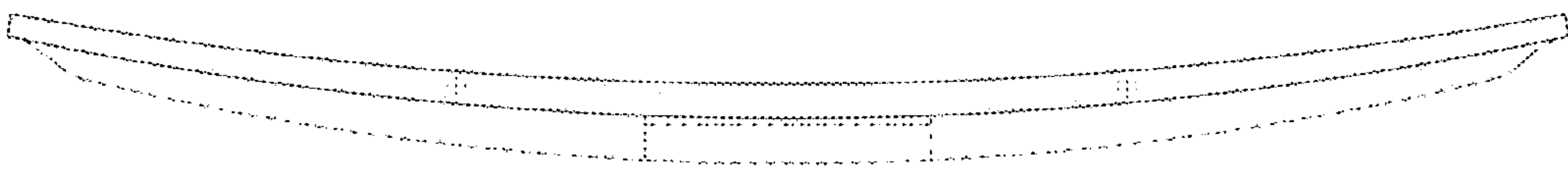


FIG. 8

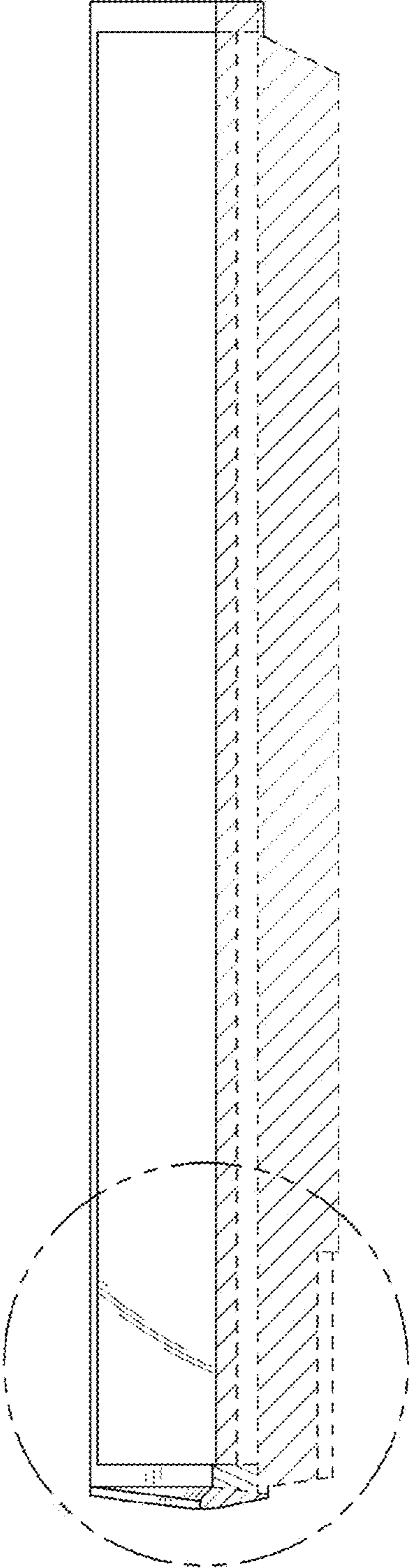


FIG. 9

