



US00D755133S

(12) **United States Design Patent**
Altonen et al.

(10) **Patent No.:** **US D755,133 S**
(45) **Date of Patent:** **** May 3, 2016**

(54) **BUTTONS FOR A LOAD CONTROL DEVICE**

(56)

References Cited

(71) Applicant: **Lutron Electronics Co., Inc.**,
Coopersburg, PA (US)

U.S. PATENT DOCUMENTS

(72) Inventors: **Gregory Altonen**, Easton, PA (US);
Erica L. Clymer, Northampton, PA
(US); **Elliot G. Jacoby**, Glenside, PA
(US); **Noel Mayo**, Philadelphia, PA
(US); **Joel S. Spira**, Coopersburg, PA
(US)

D330,013 S 10/1992 Wunsch
D348,435 S 7/1994 Farinelli et al.
6,120,262 A 9/2000 McDonough et al.
D494,489 S 8/2004 Tulloch
D496,335 S 9/2004 Spira
D546,295 S 7/2007 Marchetto et al.

(Continued)

OTHER PUBLICATIONS

(73) Assignee: **LUTRON ELECTRONICS CO., INC.**,
Coopersburg, PA (US)

U.S. Appl. No. 29/535,122, filed Aug. 4, 2015, Altonen et al.
(Continued)

(**) Term: **15 Years**

Primary Examiner — Selina Sikder

(21) Appl. No.: **29/531,853**

(74) *Attorney, Agent, or Firm* — Mark E. Rose; Philip N. Smith

(22) Filed: **Jun. 30, 2015**

(57) **CLAIM**

We claim the ornamental design for buttons for a load control device, as shown and described.

Related U.S. Application Data

DESCRIPTION

(62) Division of application No. 29/488,253, filed on Apr. 17, 2014, now Pat. No. Des. 738,328.

(51) **LOC (10) Cl.** **13-03**

(52) **U.S. Cl.**
USPC **D13/174; D13/168**

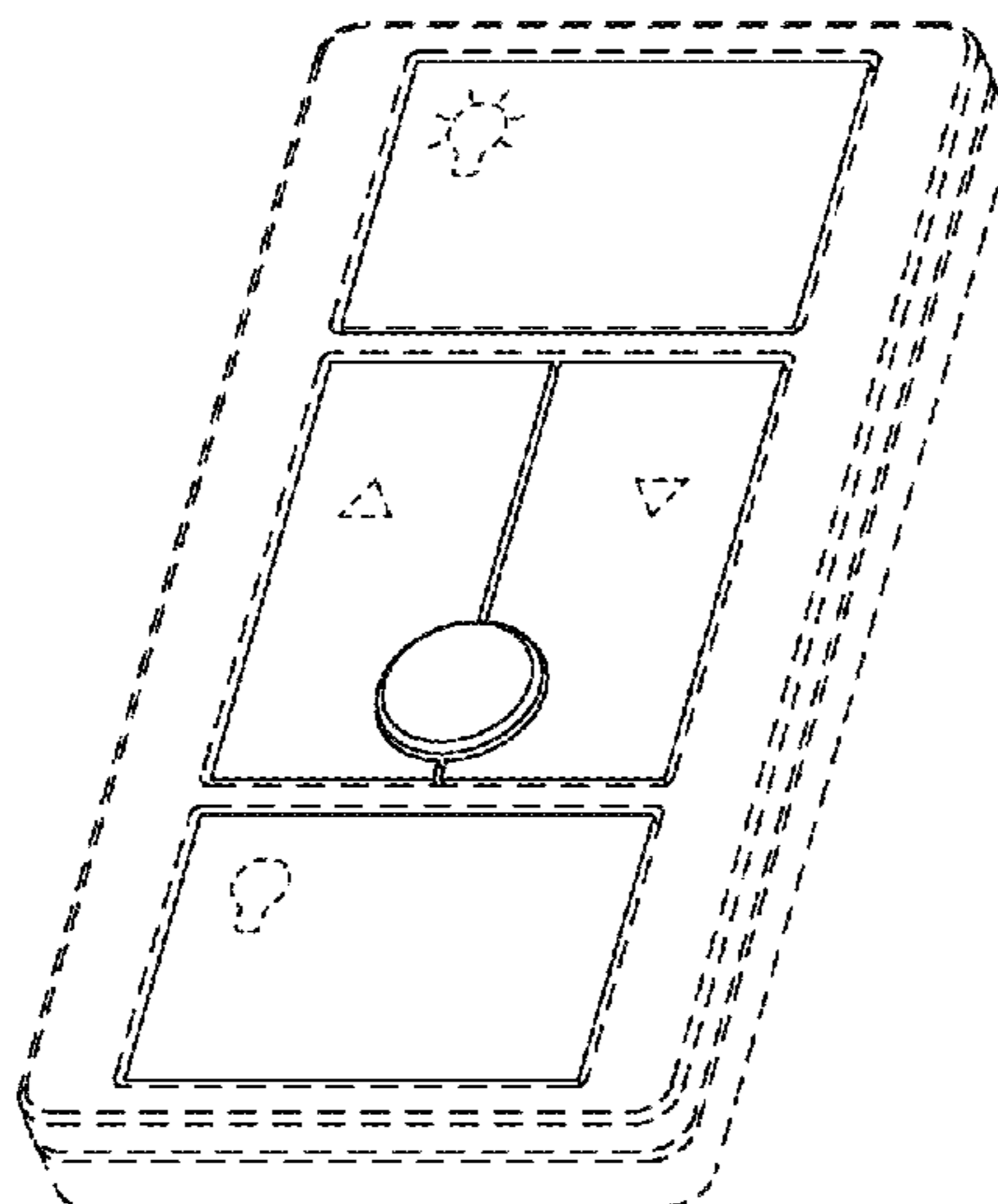
(58) **Field of Classification Search**
USPC D13/164, 168, 174; D14/218
CPC H03J 1/0025; H03J 9/00; H03J 9/02;
H03J 9/04; H03J 9/06; H01H 9/18; H01H
9/0235; H04B 1/202; H05B 33/0803; H05B
33/0863; H05B 37/02; H05B 37/0272; H05B
39/088; H05B 39/041; G05B 11/01; G05B
2219/2642; G08C 17/00; G08C 17/02; G08C
19/28; G08C 23/04; G08C 2201/20; G08C
2201/30; G08C 2201/33; G08C 2201/40;
G08C 2201/91; G08C 2201/92

FIG. 1 is a perspective view of buttons for a load control device according to a first embodiment of our new design. FIG. 2 is a front view thereof. FIG. 3 is a left side view thereof. FIG. 4 is a right side view thereof. FIG. 5 is a top view thereof. FIG. 6 is a bottom view thereof. FIG. 7 is a perspective view of the buttons for a load control device showing an alternate environment of the first embodiment; and, FIG. 8 is a front view thereof, all other views being identical to the first embodiment.

The rear views form no part of the design and are omitted. The portions of the drawings appearing in broken line are for environment only and do not form a part of the claimed design.

See application file for complete search history.

1 Claim, 6 Drawing Sheets



(56)

References Cited

U.S. PATENT DOCUMENTS

7,312,695 B2 12/2007 Lehmer et al.
D592,606 S 5/2009 Felegy et al.
D592,607 S 5/2009 Felegy et al.
D592,611 S 5/2009 Altonen et al.
D604,702 S 11/2009 Felegy et al.
D606,500 S 12/2009 Snyder et al.
D619,106 S 7/2010 Felegy et al.
D631,854 S 2/2011 Blair et al.
D631,856 S 2/2011 Altonen et al.
D632,263 S 2/2011 Lin et al.
D633,874 S 3/2011 Feldstein et al.
D638,375 S 5/2011 Clymer et al.
D638,805 S 5/2011 Clymer et al.
D638,806 S 5/2011 Kim et al.
D641,718 S 7/2011 Sakai
D646,232 S 10/2011 Felegy et al.
D647,063 S * 10/2011 Lind, III D13/162
D647,064 S * 10/2011 Lind, III D13/162
D647,489 S * 10/2011 Lind, III D13/162
D649,123 S 11/2011 Jacoby et al.
D649,124 S 11/2011 Jacoby et al.
D649,520 S * 11/2011 Jacoby D13/164
D687,390 S 8/2013 McDonald et al.
D691,097 S * 10/2013 Lind, III D13/164
D694,198 S 11/2013 Felegy et al.
D703,154 S 4/2014 Clymer et al.
D703,623 S 4/2014 Altonen et al.
D704,152 S 5/2014 Altonen et al.
D704,153 S 5/2014 Altonen et al.
D711,838 S 8/2014 Spira
D713,360 S 9/2014 Spira
D713,361 S 9/2014 Spira
D714,232 S * 9/2014 Chambers D13/168
D721,660 S 1/2015 Wang

D722,982 S * 2/2015 Lind, III D13/164
D733,668 S 7/2015 Altonen et al.
D736,718 S 8/2015 Spira
D737,222 S 8/2015 Altonen et al.
D737,223 S 8/2015 Altonen et al.
D737,224 S 8/2015 Spira
D738,320 S 9/2015 Altonen et al.
D738,321 S 9/2015 Spira
D738,328 S 9/2015 Altonen et al.
D739,830 S 9/2015 Spira
9,135,812 B1 * 9/2015 Carley H01R 33/94
2005/0231134 A1 10/2005 Sid
2008/0111491 A1 5/2008 Spira
2009/0251352 A1 10/2009 Altonen et al.
2011/0266122 A1 11/2011 Zaharchuk et al.
2011/0279300 A1 11/2011 Mosebrook
2012/0013450 A1 1/2012 Lee et al.

OTHER PUBLICATIONS

U.S. Appl. No. 29/535,125, filed Aug. 4, 2015, Altonen et al.
U.S. Appl. No. 29/534,801, filed Jul. 31, 2015, Altonen et al.
U.S. Appl. No. 29/534,802, filed Jul. 31, 2015, Altonen et al.
U.S. Appl. No. 29/534,805, filed Jul. 31, 2015, Altonen et al.
U.S. Appl. No. 29/535,100, filed Aug. 4, 2015, Altonen et al.
U.S. Appl. No. 29/533,927, filed Jul. 23, 2015, Altonen et al.
U.S. Appl. No. 29/533,935, filed Jul. 23, 2015, Altonen et al.
U.S. Appl. No. 29/533,925, filed Jul. 23, 2015, Altonen et al.
U.S. Appl. No. 29/531,858, filed Jun. 30, 2015, Altonen et al.
U.S. Appl. No. 29/531,864, filed Jun. 30, 2015, Altonen et al.
U.S. Appl. No. 29/536,541, filed Aug. 18, 2015, Joel S. Spira.
U.S. Appl. No. 29/534,799, filed Jul. 31, 2015, Joel S. Spira.
U.S. Appl. No. 29/531,871, filed Jun. 30, 2015, Joel S. Spira.
U.S. Appl. No. 29/537,592, filed Aug. 27, 2015, Joel S. Spira.

* cited by examiner

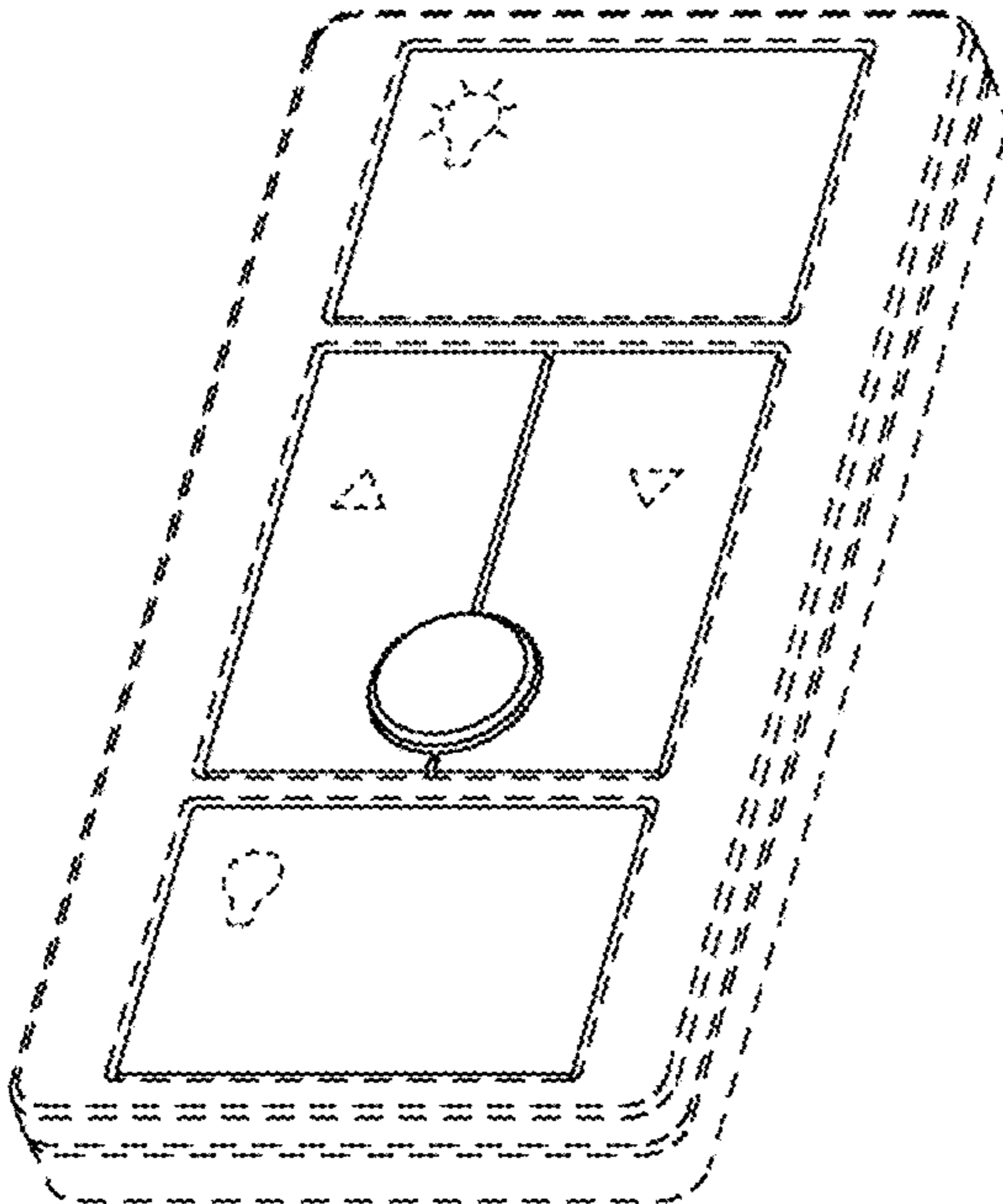


Fig. 1

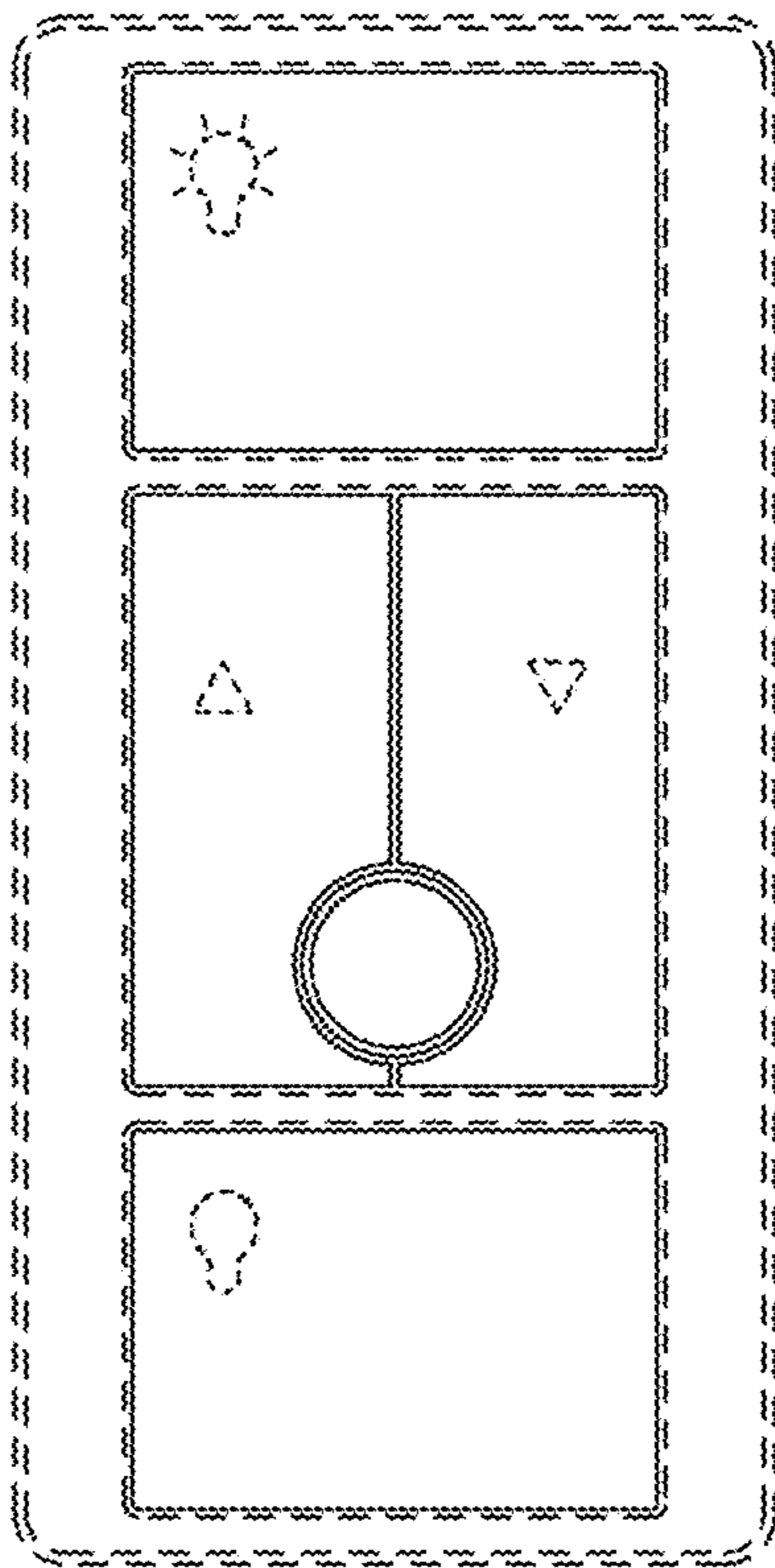


Fig. 2

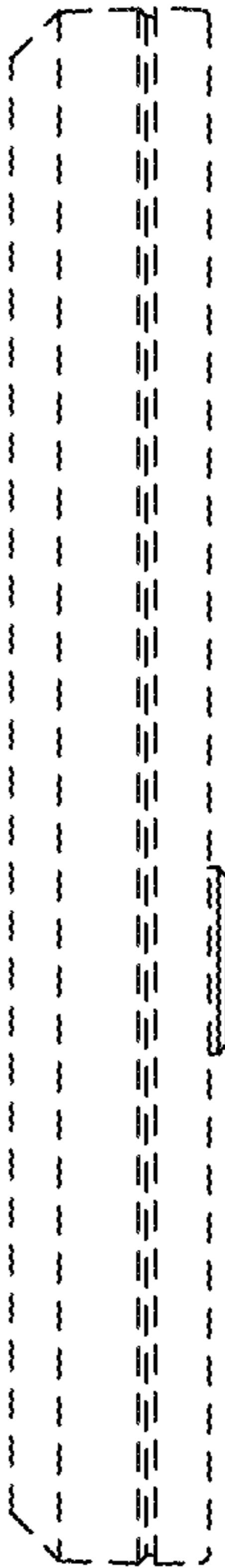


Fig. 3



Fig. 4

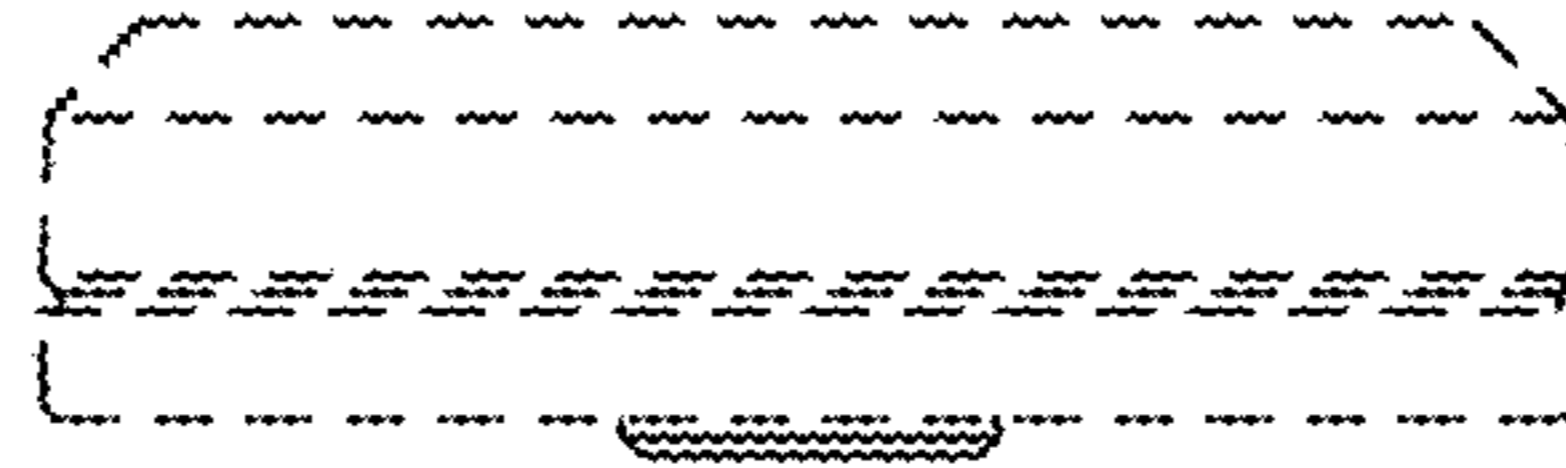


Fig. 5



Fig. 6

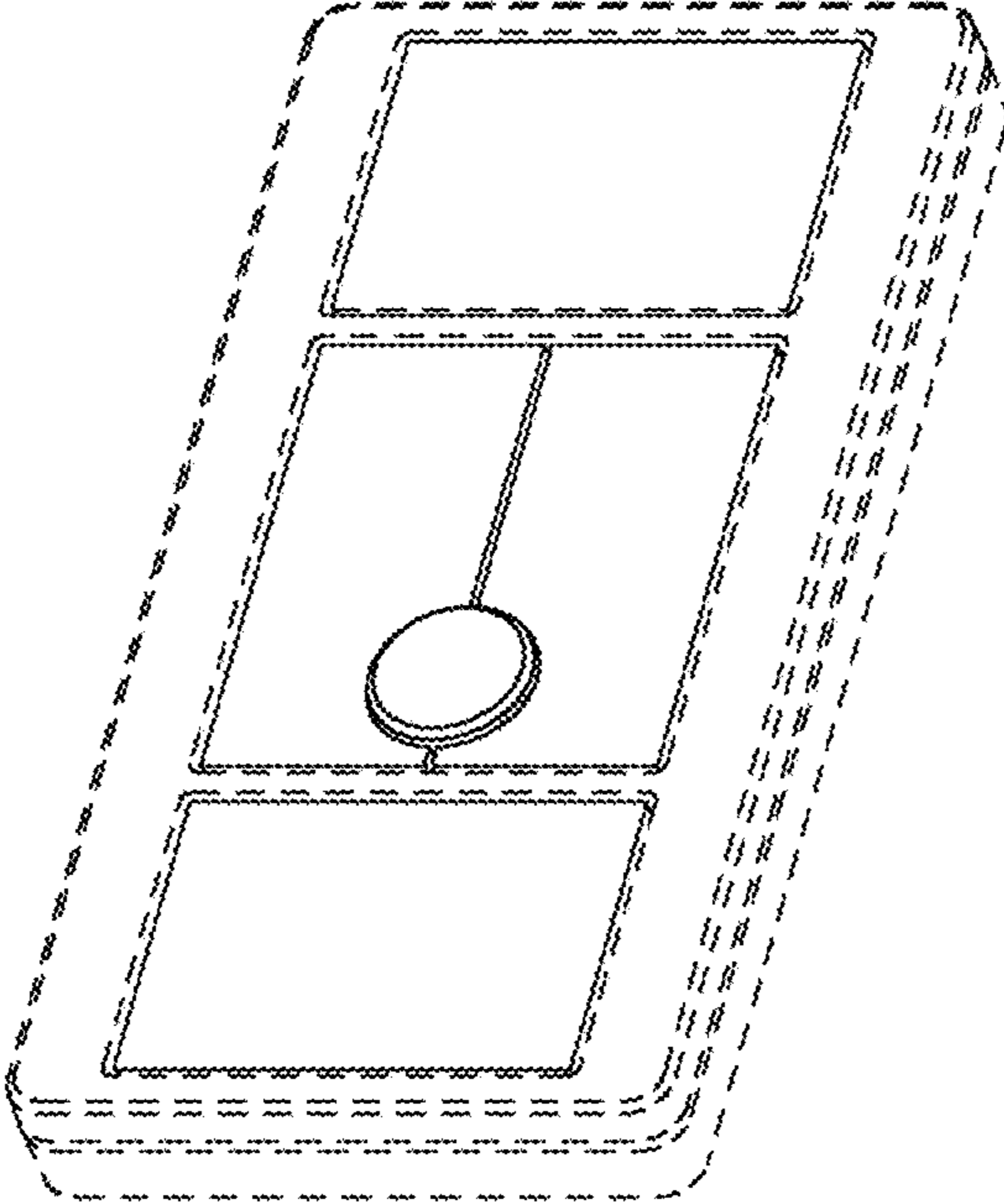


Fig. 7

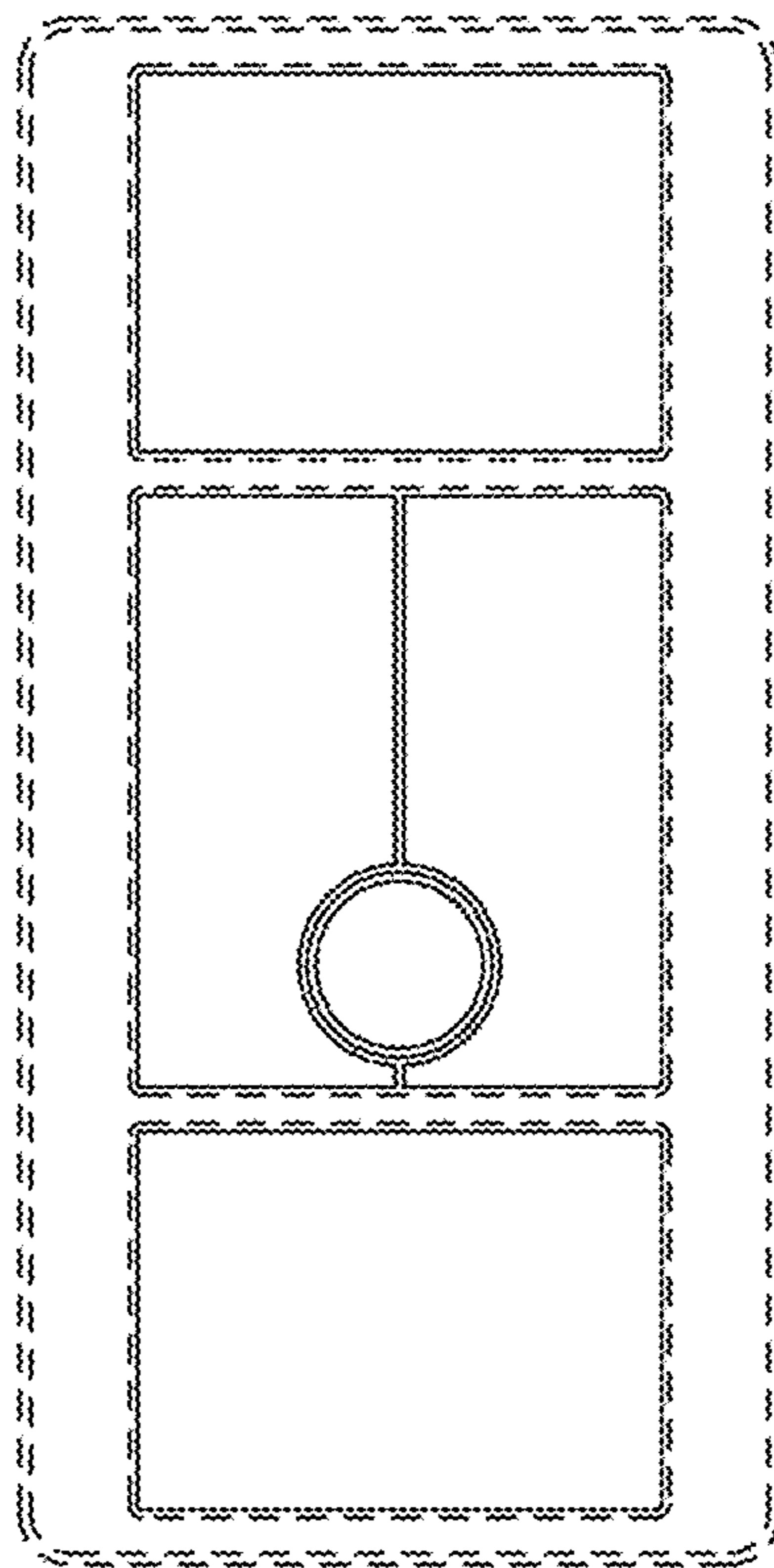


Fig. 8