



US00D755130S

(12) **United States Design Patent**
Toimil et al.

(10) **Patent No.:** **US D755,130 S**
(45) **Date of Patent:** **** May 3, 2016**

(54) **INTERCHANGEABLE SELF-LOCKING
SPRING LOADED QUICK CONNECT
APPARATUS FOR CABLE**

(71) Applicants: **Andrew G. Toimil**, Sonoma, CA (US);
George Shevchuk, San Francisco, CA
(US)

(72) Inventors: **Andrew G. Toimil**, Sonoma, CA (US);
George Shevchuk, San Francisco, CA
(US)

(73) Assignee: **Feeney, Inc.**, Oakland, CA (US)

(**) Term: **14 Years**

(21) Appl. No.: **29/503,688**

(22) Filed: **Sep. 29, 2014**

(51) **LOC (10) Cl.** **13-03**

(52) **U.S. Cl.**
USPC **D13/156; D8/356**

(58) **Field of Classification Search**
USPC D13/156, 133, 153, 154, 155, 157, 184,
D13/199; D8/349, 354, 355, 356, 360.1,
D8/383; 174/50, 68.1, 84 C, 135, 262, 556,
174/650; 212/76, 271; D14/228, 432, 433
CPC ... F16G 11/04; F16G 11/106; Y10T 24/3969;
Y10T 24/4764; Y10T 29/532; Y10T
29/49123; Y10T 29/49174; Y10T 29/49194
See application file for complete search history.

(56) **References Cited**

U.S. PATENT DOCUMENTS

835,406 A	11/1906	Dawson	
D130,509 S	11/1941	Shanor	
3,038,558 A	6/1962	Plummer	
4,627,762 A	12/1986	Scotti	
4,656,698 A	4/1987	Arakawa	
4,899,499 A	2/1990	Hoekstra	
D345,688 S *	4/1994	McLean	D8/356
D385,476 S	10/1997	Hill	

D405,056 S *	2/1999	Lee	D13/154
D437,294 S *	2/2001	Amin	D13/133
D437,826 S *	2/2001	Montena	D13/133
D443,858 S	6/2001	Treiger et al.	
D447,930 S	9/2001	Larson	
D487,015 S *	2/2004	Kalbach	D16/339
6,709,100 B2	3/2004	Kalbach	
D529,789 S *	10/2006	Klecker	D8/356
D569,810 S *	5/2008	Victor	D13/133
D578,966 S	10/2008	Grimm	
D601,966 S *	10/2009	Shaw	D13/133
D607,830 S	1/2010	Shaw	
D608,294 S	1/2010	Shaw	
D608,353 S	1/2010	Tsai	
D614,584 S	4/2010	Neitzel et al.	

(Continued)

FOREIGN PATENT DOCUMENTS

GB 853705 11/1960

Primary Examiner — Derrick Holland

(74) *Attorney, Agent, or Firm* — Cozen O'Connor

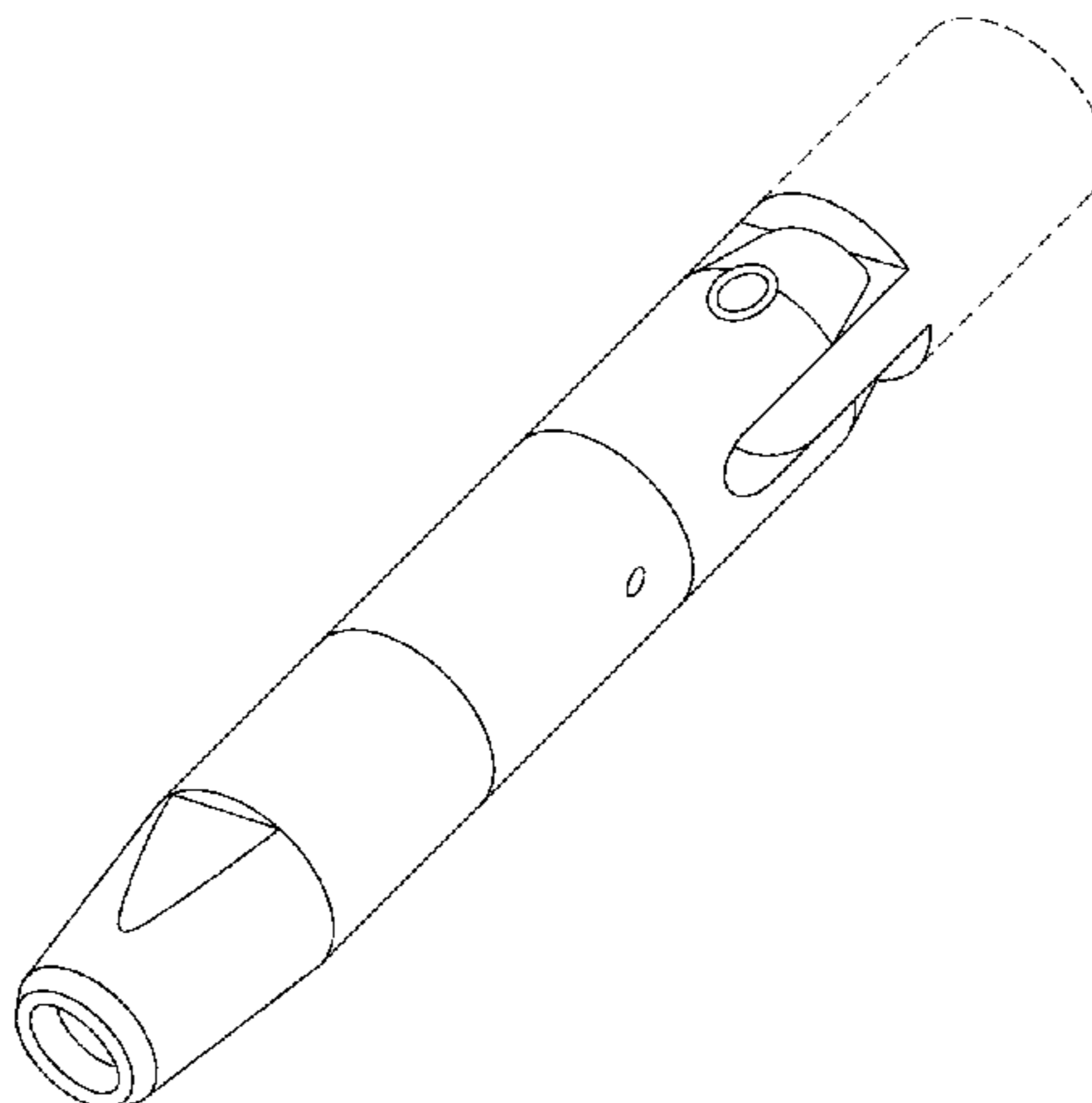
(57) **CLAIM**

The ornamental design for an interchangeable self-locking spring loaded quick connect apparatus for cable, as shown and described.

DESCRIPTION

FIG. 1 is a front, top, right side perspective view of an interchangeable self-locking spring loaded quick connect apparatus for cable embodying our new design; FIG. 2 is a rear, bottom, right side perspective view thereof; FIG. 3 is a front view thereof; FIG. 4 is a rear view thereof; FIG. 5 is a right side view thereof; FIG. 6 is a left side view thereof; FIG. 7 is a top plan view thereof, the bottom plan being a mirror image; and, FIG. 8 is a top plan view thereof, shown in a different position. The broken lines shown represent unclaimed subject matter and form no part of the claimed design.

1 Claim, 3 Drawing Sheets



(56)

References Cited

U.S. PATENT DOCUMENTS

D624,394 S 9/2010 Domek et al.
D626,091 S 10/2010 Neitzel et al.
D628,050 S 11/2010 Petersen et al.
D628,461 S 12/2010 Stein et al.
D642,989 S 8/2011 Montena et al.
D643,335 S 8/2011 Pontaoe
D645,022 S 9/2011 Lee et al.
D653,100 S 1/2012 Chen
D661,256 S 6/2012 Shawgo

D675,985 S 2/2013 Izen et al.
D678,199 S 3/2013 Izen et al.
D679,660 S 4/2013 Haberek et al.
D680,963 S 4/2013 Purdy
2005/0071958 A1 4/2005 Toimil
2006/0123625 A1* 6/2006 Montena H01R 9/0524
29/828
2007/0042642 A1* 2/2007 Montena H01R 9/0518
439/578
2009/0173852 A1 7/2009 Wagner et al.
2009/0324188 A1 12/2009 Berglund et al.

* cited by examiner

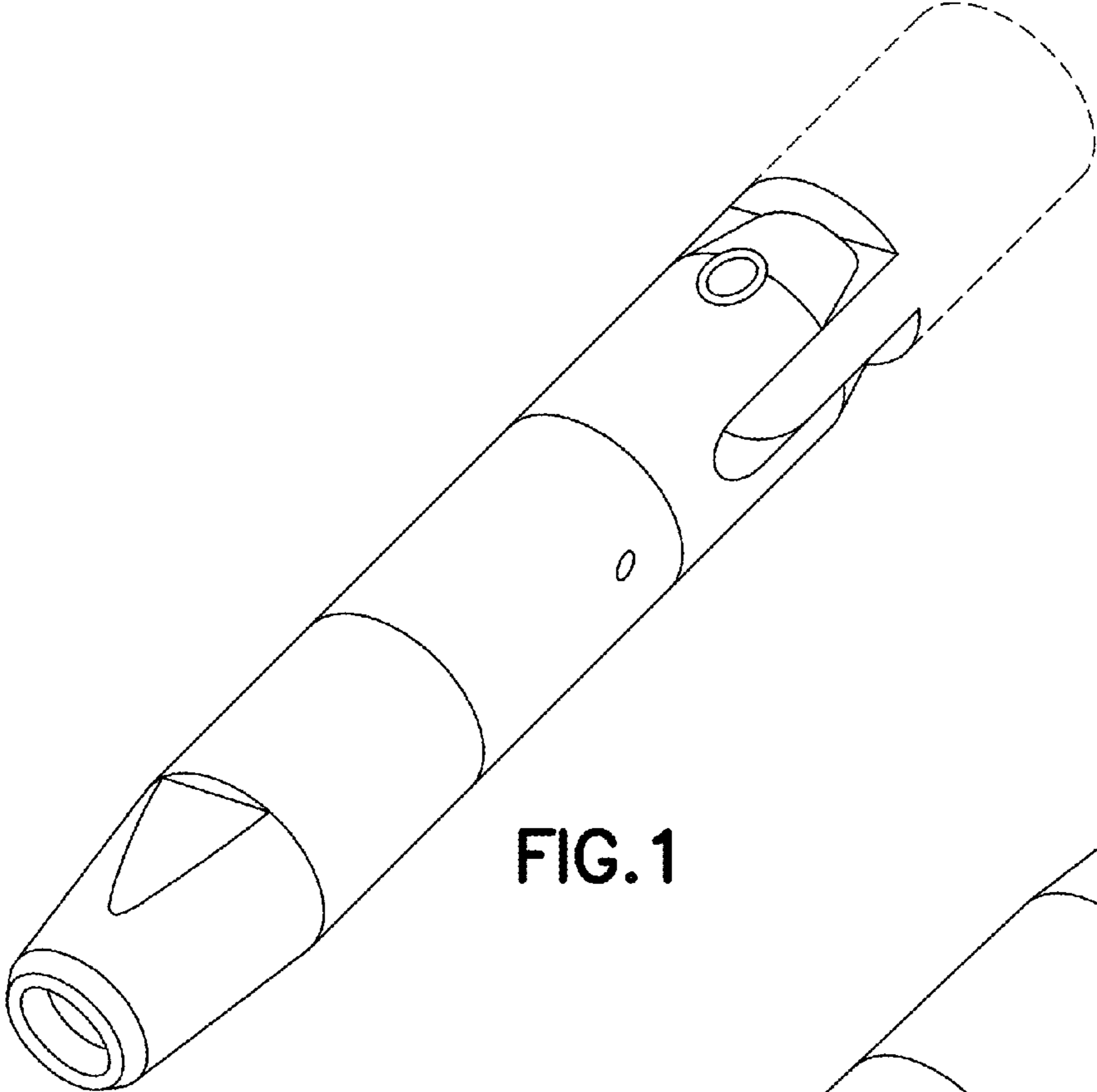


FIG. 1

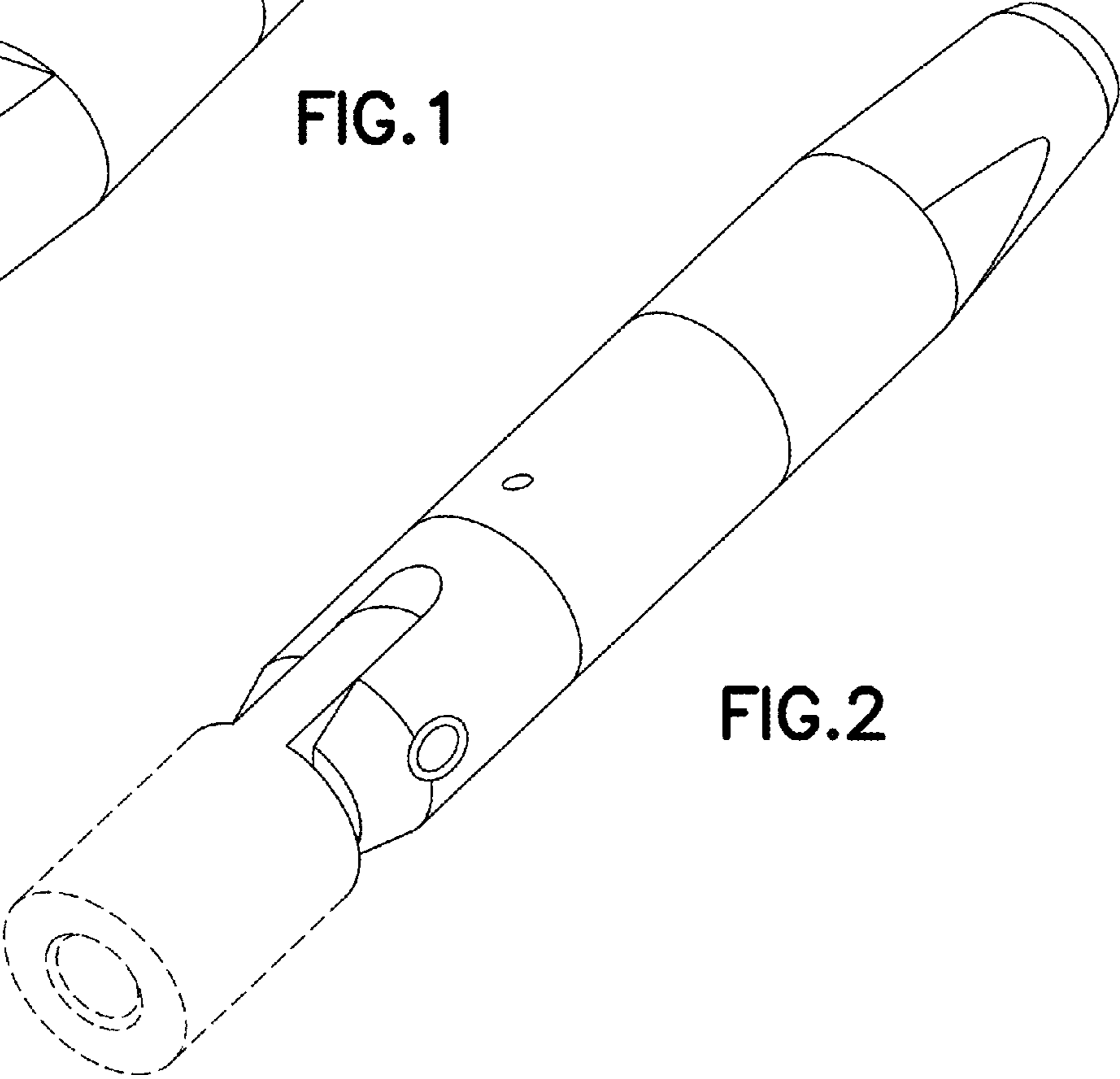


FIG. 2

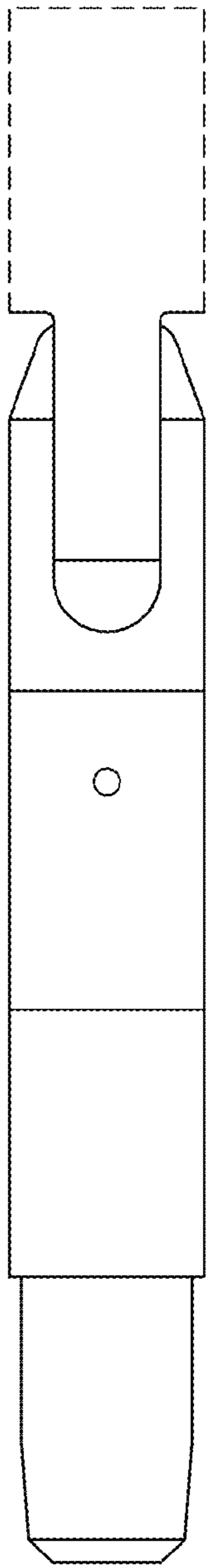


FIG. 5

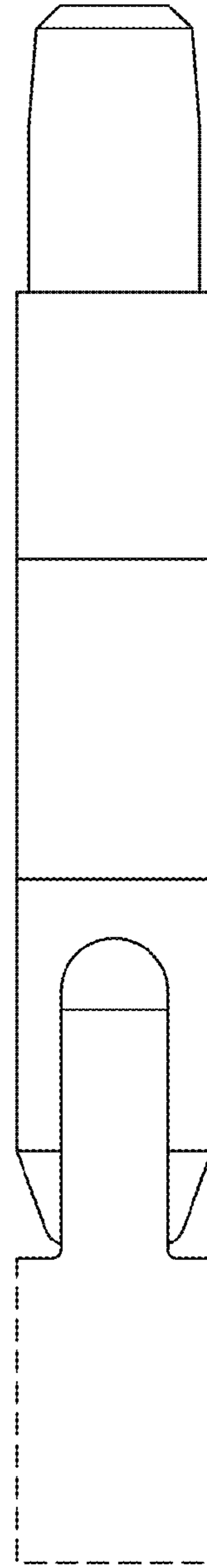


FIG. 6

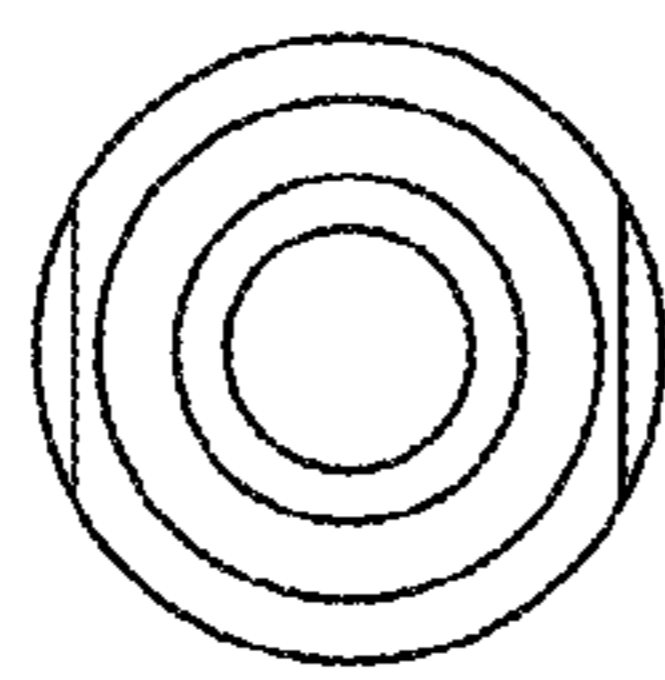


FIG. 3

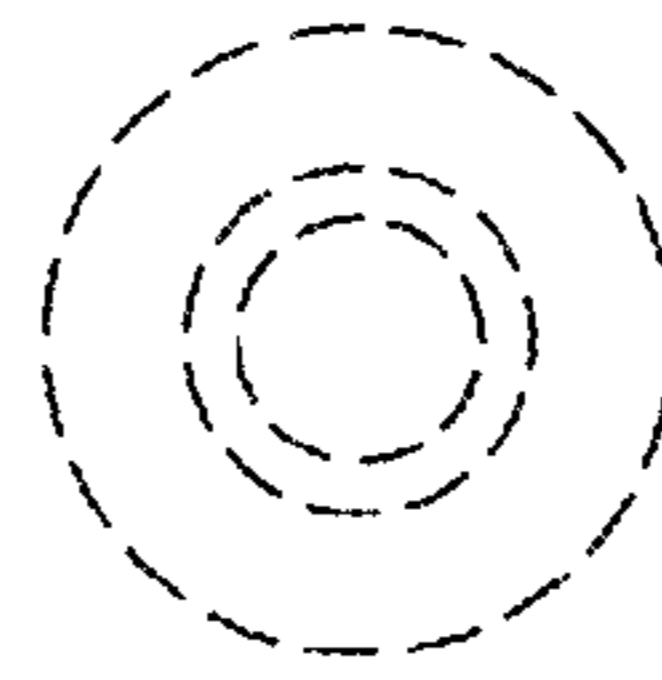


FIG. 4

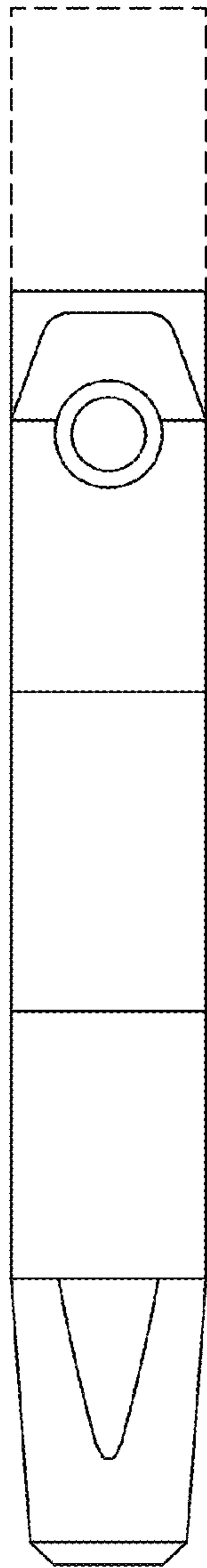


FIG. 7

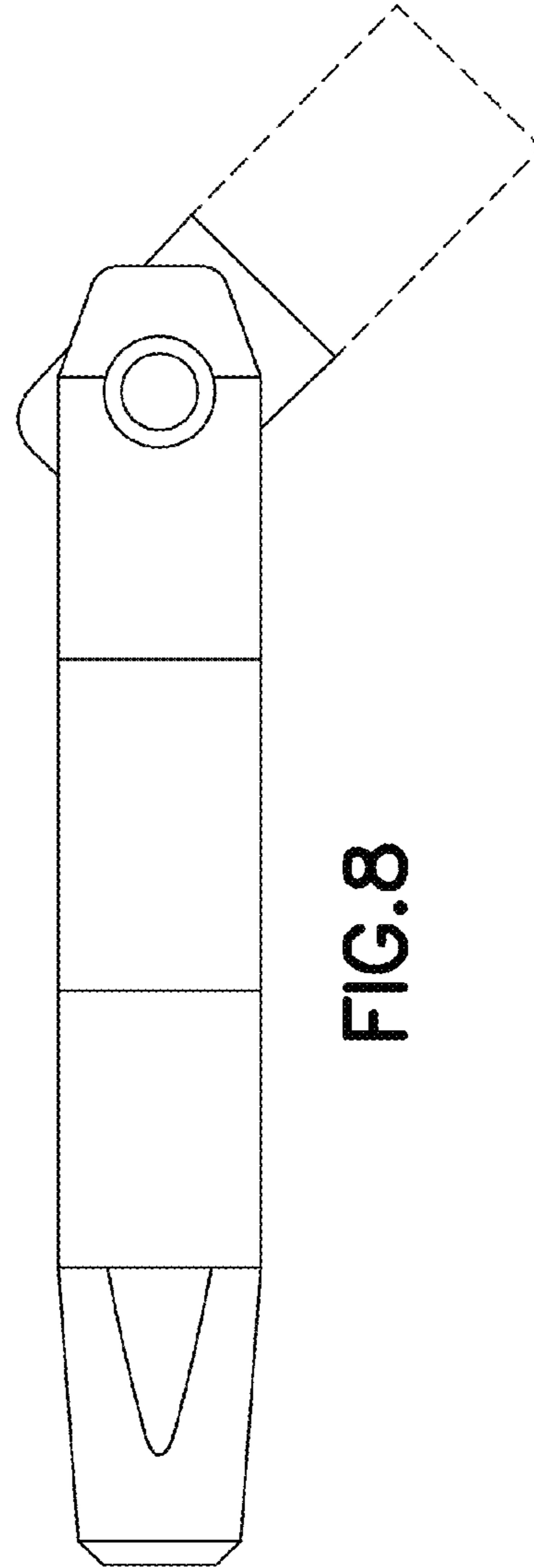


FIG. 8