



US00D755127S

(12) **United States Design Patent**
Wong

(10) **Patent No.:** **US D755,127 S**
(45) **Date of Patent:** **** May 3, 2016**

(54) **SMART PLUG**

(71) Applicant: **Ever Win International Corporation,**
City of Industry, CA (US)

(72) Inventor: **Yuk Ying Wong,** Hong Kong (CN)

(73) Assignee: **Ever Win International Corporation,**
City of industry, CA (US)

(**) Term: **14 Years**

(21) Appl. No.: **29/517,158**

(22) Filed: **Feb. 10, 2015**

(51) **LOC (10) Cl.** **13-03**

(52) **U.S. Cl.**
USPC **D13/137.2**

(58) **Field of Classification Search**
USPC D13/137.1–137.4, 138.1–138.2,
D13/139.1–139.8, 110, 108, 162, 152;
D24/186; 363/143, 146; 439/131
CPC ... H01R 13/6675; H01R 13/44; H01R 31/065
See application file for complete search history.

(56) **References Cited**

U.S. PATENT DOCUMENTS

D616,823 S *	6/2010	Shi	D13/137.2
D641,481 S *	7/2011	Fisher	D13/162
D665,354 S *	8/2012	Chen	D13/138.1
D666,729 S *	9/2012	Fisher	D24/186
D666,968 S *	9/2012	Huang	D13/110
D667,787 S *	9/2012	Druker	D13/110

D669,029 S *	10/2012	Huang	D13/110
D677,223 S *	3/2013	Cho	D13/110
D694,713 S *	12/2013	Yeo	D13/137.1
D695,693 S *	12/2013	Lee	D13/152
D699,183 S *	2/2014	Zaslavsky	D13/110
D700,140 S *	2/2014	Loya	D13/110
D713,788 S *	9/2014	Hasegawa	D13/110
D721,037 S *	1/2015	Kelly	D13/137.1
D734,253 S *	7/2015	Tinaphong	D13/108
D742,315 S *	11/2015	Dang	D13/110

* cited by examiner

Primary Examiner — Holly Baynham

Assistant Examiner — Rhea Shields

(74) *Attorney, Agent, or Firm* — Joe Nieh

(57) **CLAIM**

The ornamental design for a smart plug, as shown and described.

DESCRIPTION

FIG. 1 is a front perspective view of a smart plug showing my new design;

FIG. 2 is a rear perspective view thereof;

FIG. 3 is a left side plan view thereof;

FIG. 4 is a top plan view thereof;

FIG. 5 is a front plan view thereof;

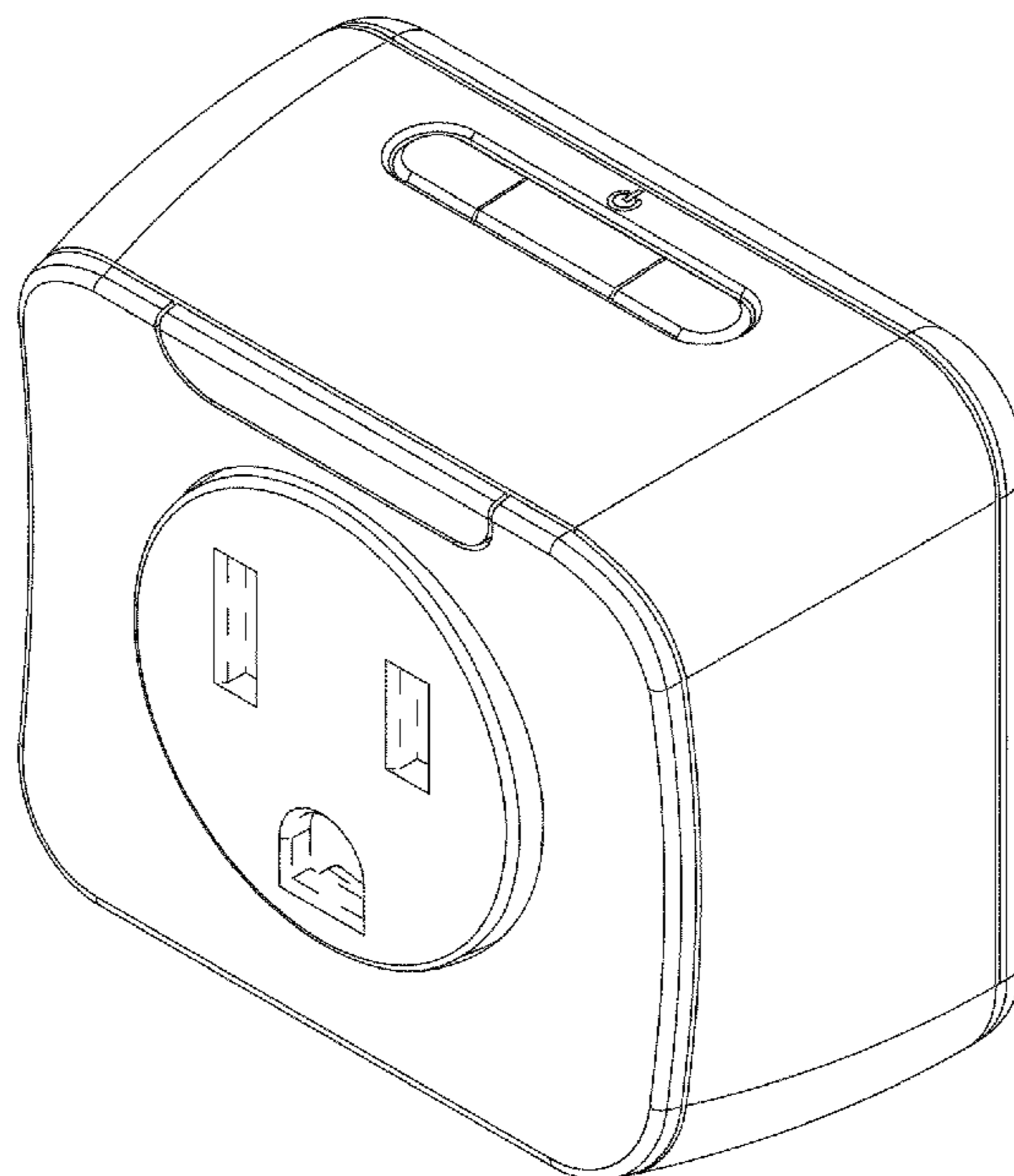
FIG. 6 is a bottom plan view thereof;

FIG. 7 is a right side plan view thereof; and,

FIG. 8 is a rear plan view thereof.

The broken lines shown in the drawings are included for the purpose of illustrating unclaimed portions of the smart plug and form no part of the claimed design.

1 Claim, 7 Drawing Sheets



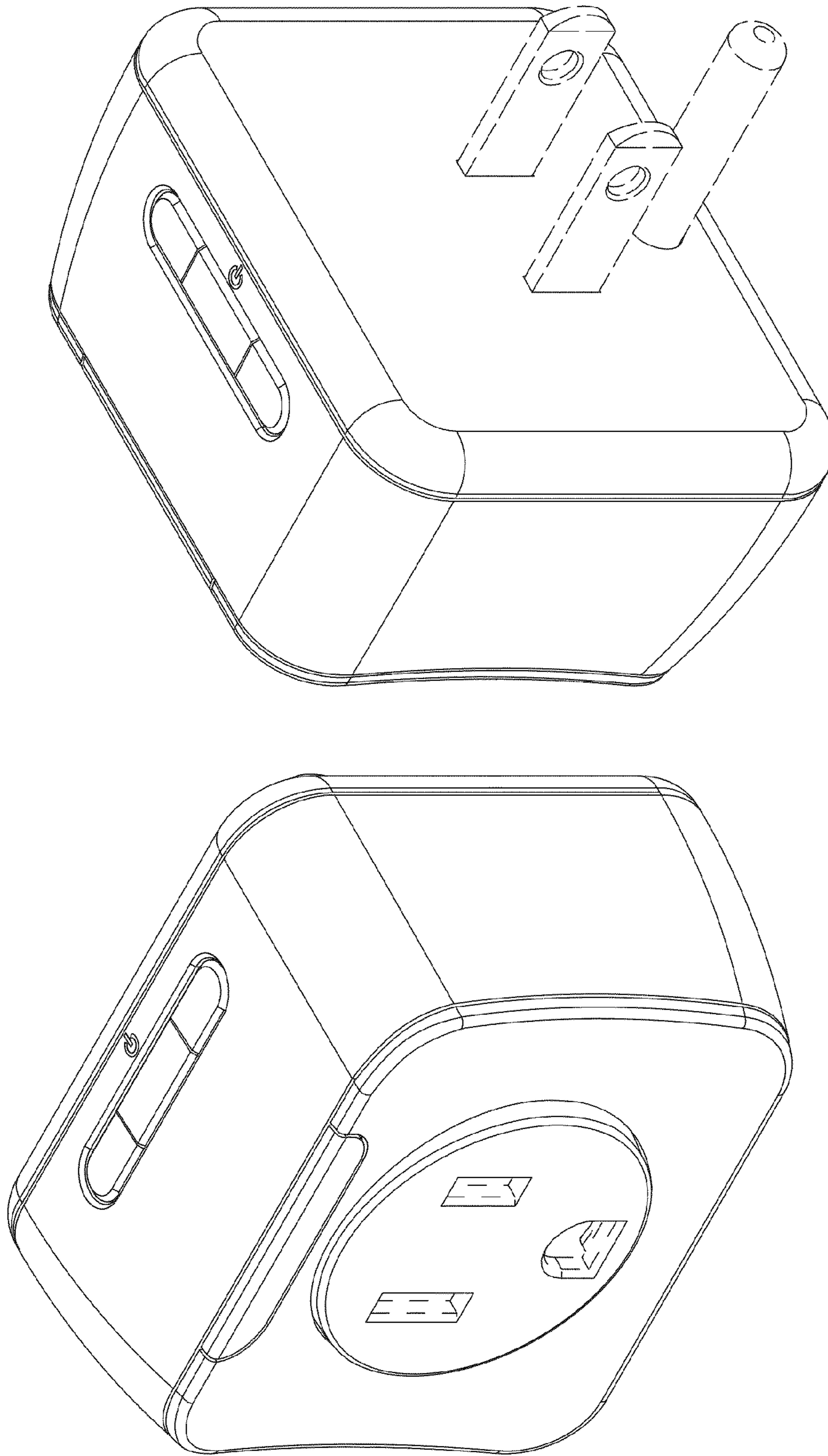


Fig. 2

Fig. 1

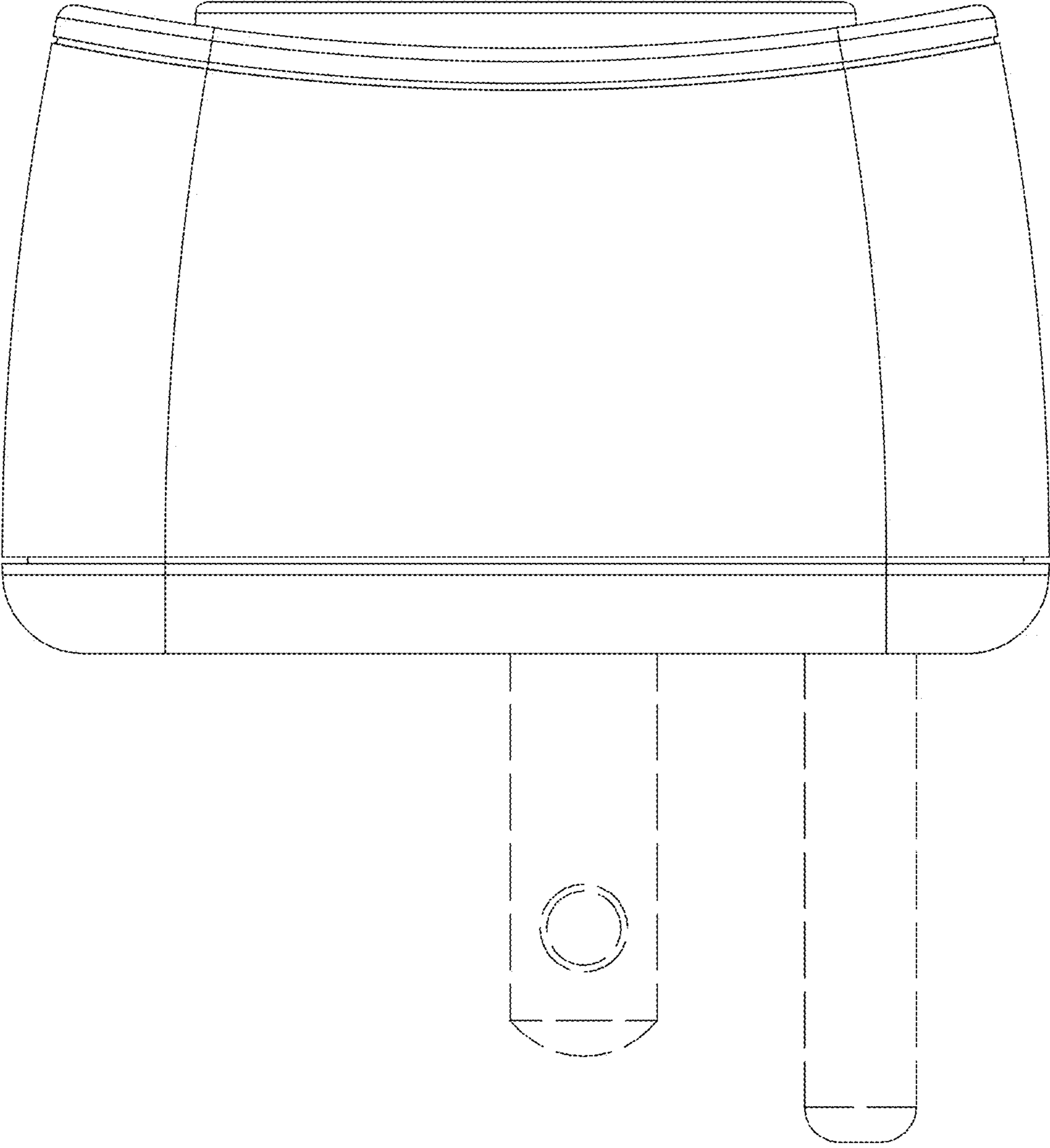


Fig. 3

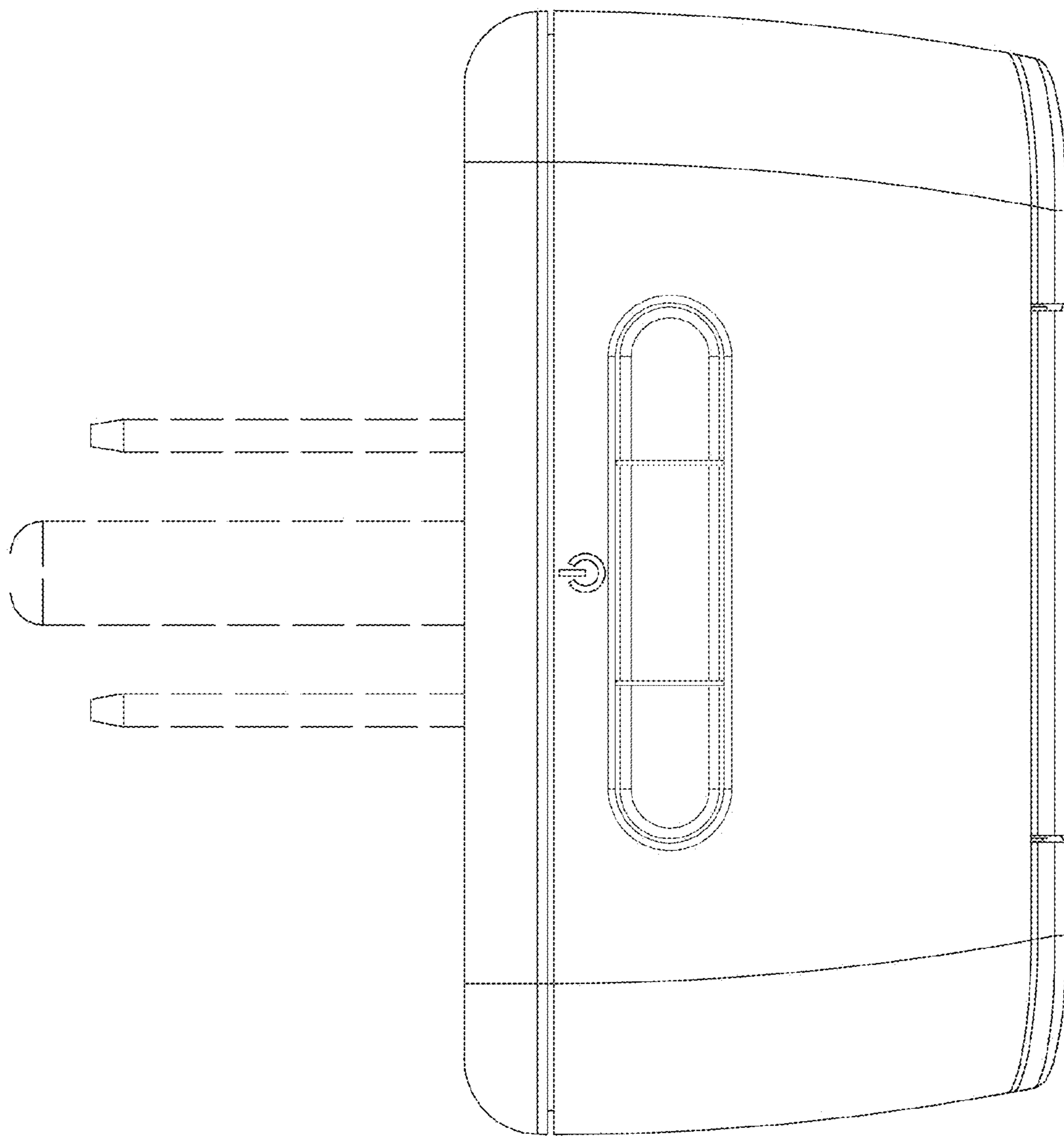


Fig. 4

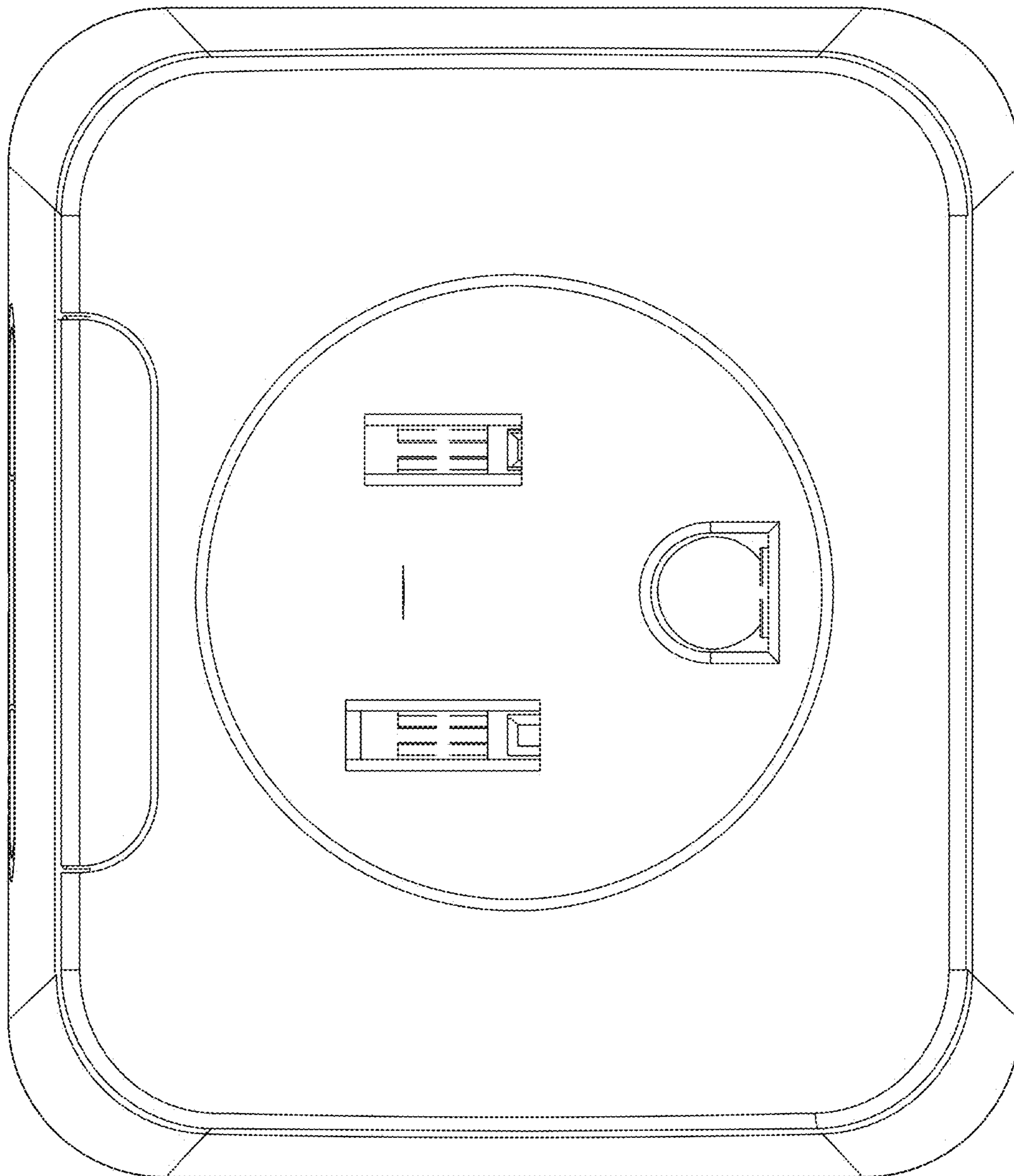


Fig. 5

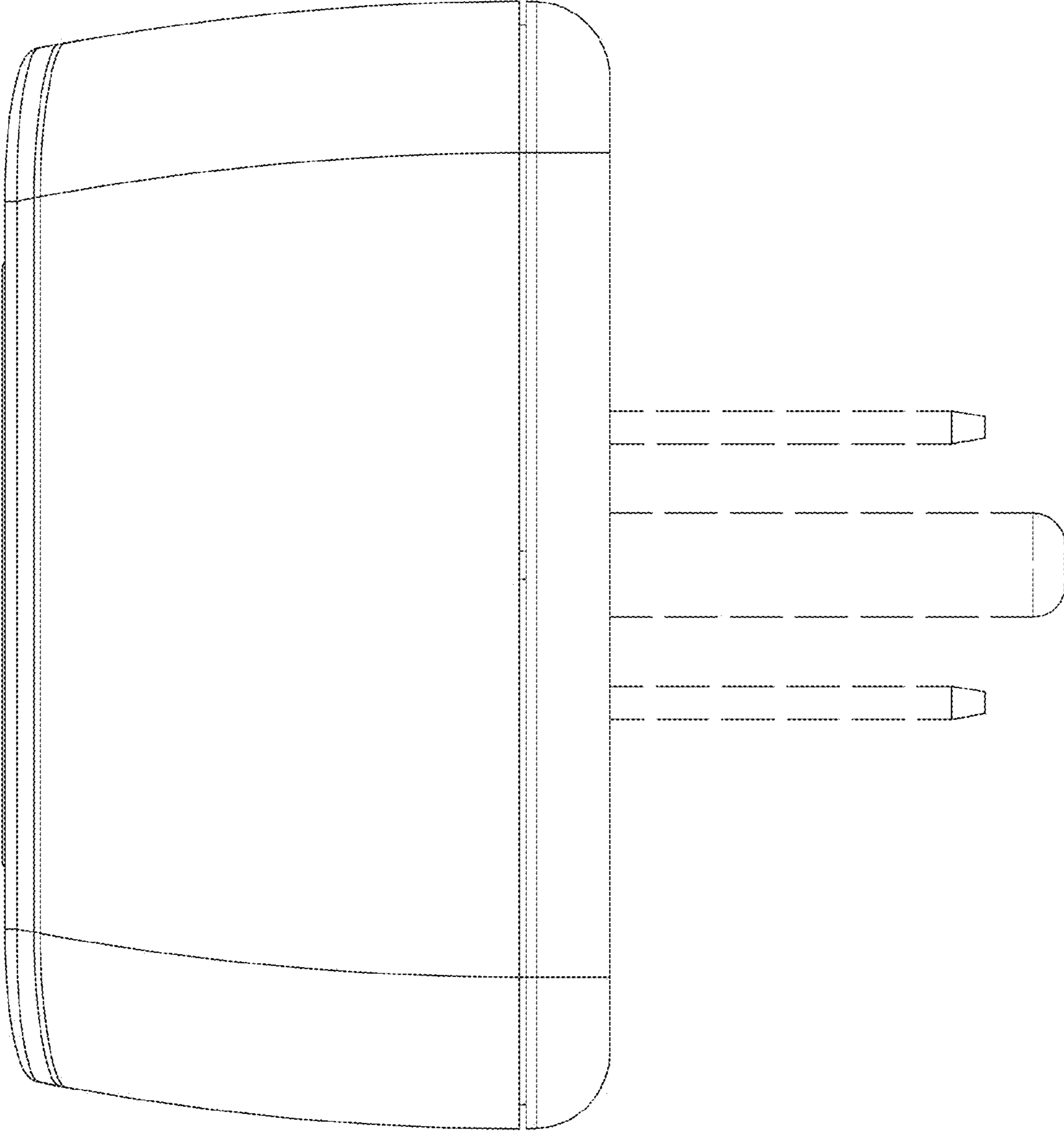


Fig. 6

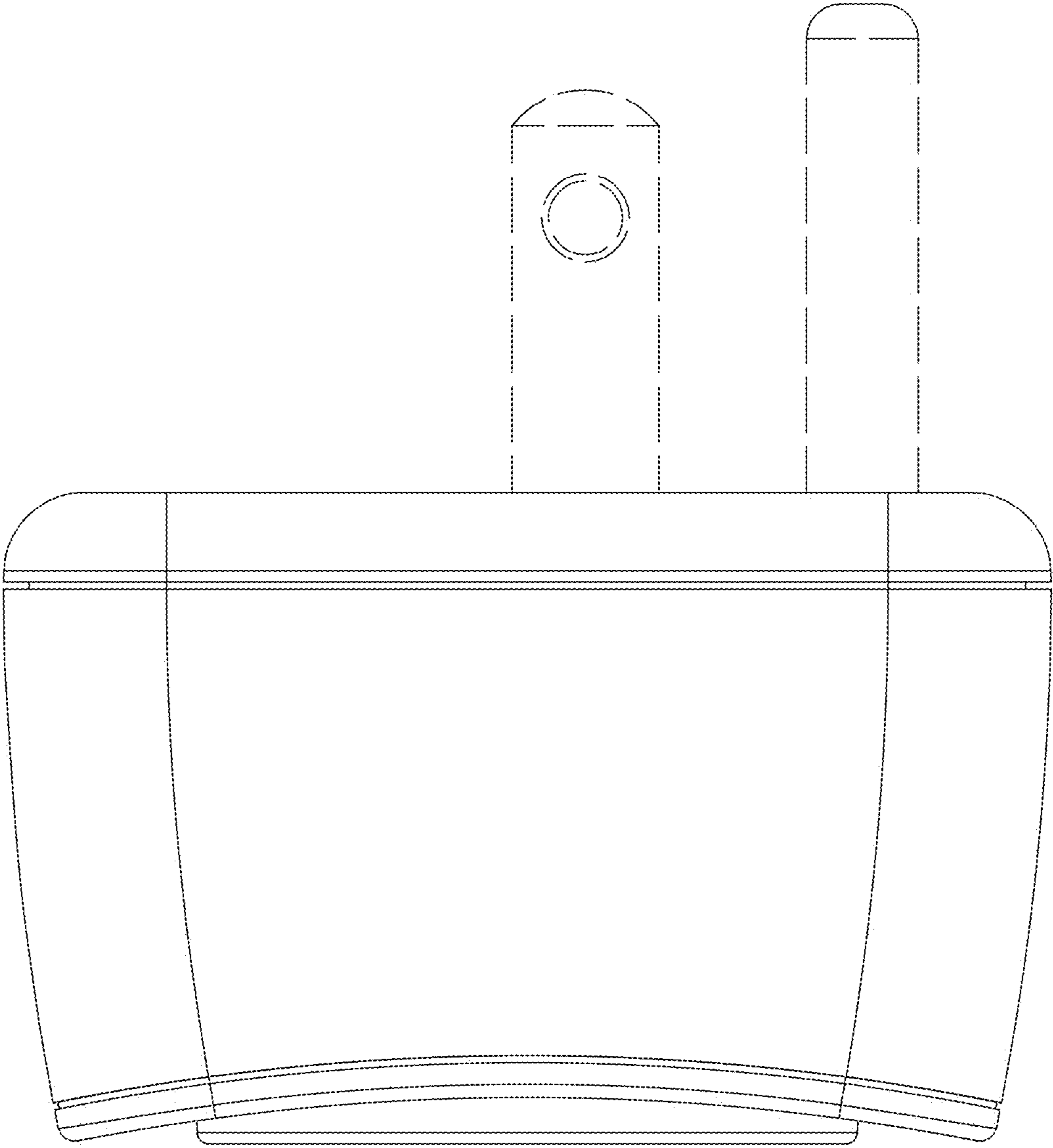


Fig. 7

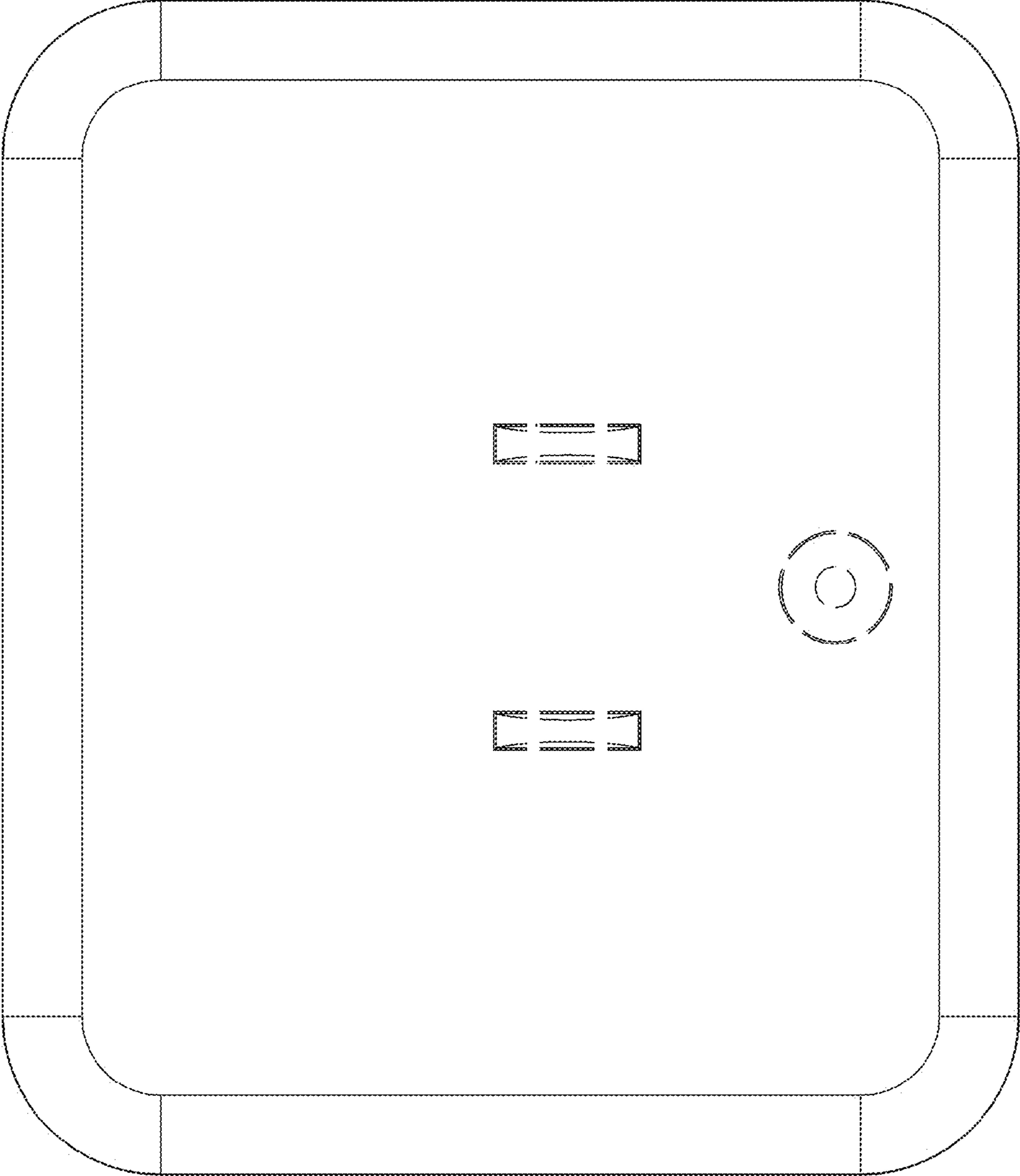


Fig. 8