



US00D755126S

(12) **United States Design Patent**  
**Denpoya**

(10) **Patent No.:** **US D755,126 S**

(45) **Date of Patent:** **\*\* May 3, 2016**

(54) **COAXIAL ELECTRICAL CONNECTOR**

(71) Applicant: **Hirose Electric Co., Ltd.**, Tokyo (JP)

(72) Inventor: **Ikuo Denpoya**, Tokyo (JP)

(73) Assignee: **HIROSE ELECTRIC CO., LTD.**,  
Tokyo (JP)

(\*\*) Term: **14 Years**

(21) Appl. No.: **29/526,058**

(22) Filed: **May 6, 2015**

(30) **Foreign Application Priority Data**

Nov. 20, 2014 (JP) ..... 2014-025888

(51) **LOC (10) Cl.** ..... **13-03**

(52) **U.S. Cl.**  
USPC ..... **D13/133**

(58) **Field of Classification Search**  
USPC ..... D13/101, 108, 110, 118, 123, 133, 145,  
D13/146, 154, 184, 199  
CPC ..... H01R 9/05; H01R 12/00; H01R 13/00;  
H01R 13/40; H01R 13/60; H01R 13/62;  
H01R 13/63; H01R 13/65; H01R 13/66;  
H01R 13/68; H01R 24/50; H01R 29/00  
See application file for complete search history.

(56) **References Cited**

U.S. PATENT DOCUMENTS

D706,219 S 6/2014 Funahashi  
D726,113 S \* 4/2015 Senba ..... D13/133  
2012/0295477 A1\* 11/2012 Funahashi ..... H01R 24/545  
439/578

2013/0149897 A1\* 6/2013 Takano ..... H01R 12/718  
439/582  
2014/0038464 A1\* 2/2014 Tsai ..... H01R 13/516  
439/626  
2015/0064967 A1\* 3/2015 Guo ..... H01R 9/0518  
439/585

FOREIGN PATENT DOCUMENTS

JP 1446515 S 7/2012  
JP 1466440 S 4/2013  
JP 1499107 S 6/2014  
KR 30-0735586 S 3/2014  
KR 30-0760863 S 9/2014

\* cited by examiner

*Primary Examiner* — Daniel Bui

*Assistant Examiner* — Shawn T Gingrich

(74) *Attorney, Agent, or Firm* — Kobotera & Associates,  
LLC

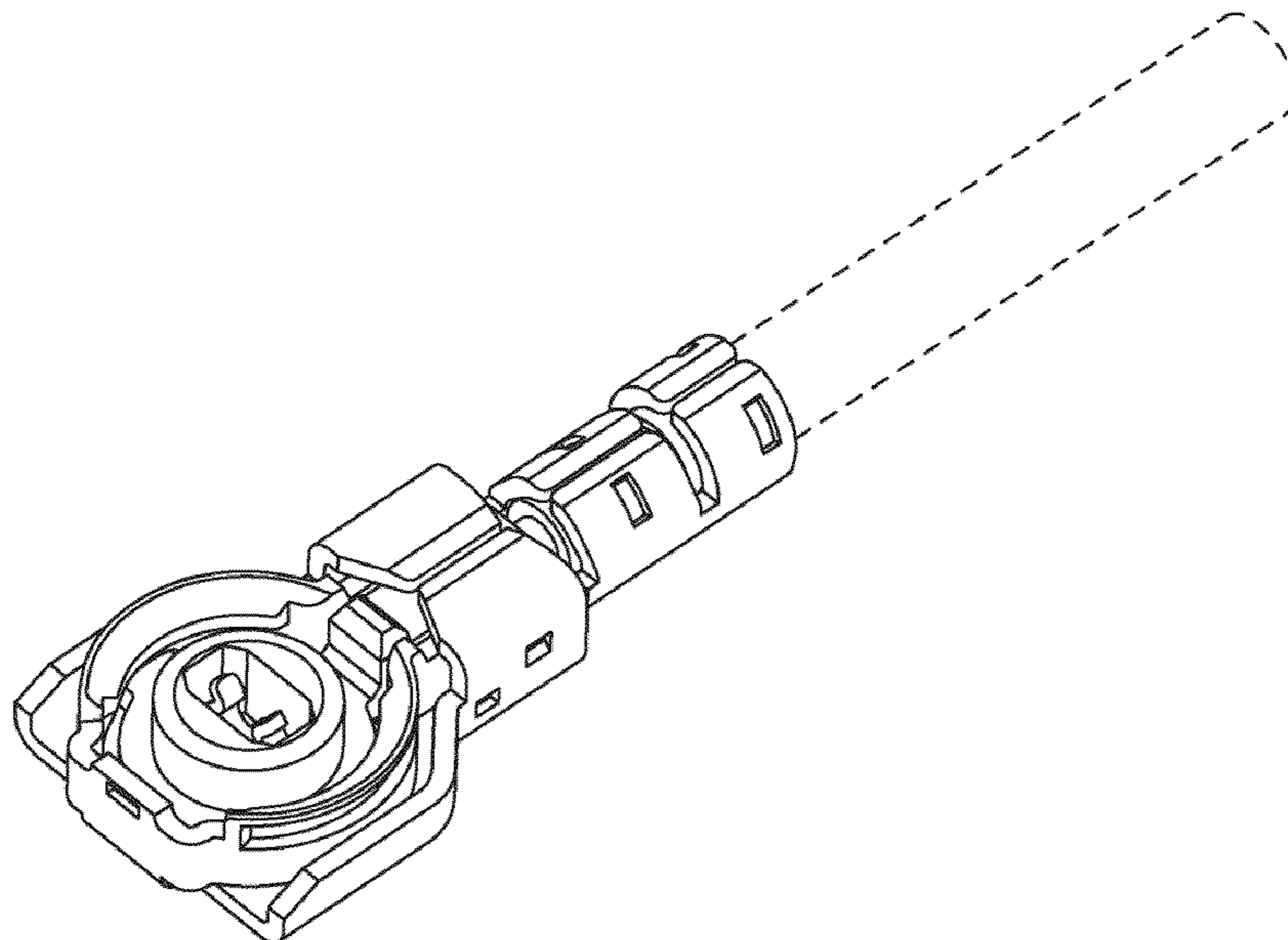
(57) **CLAIM**

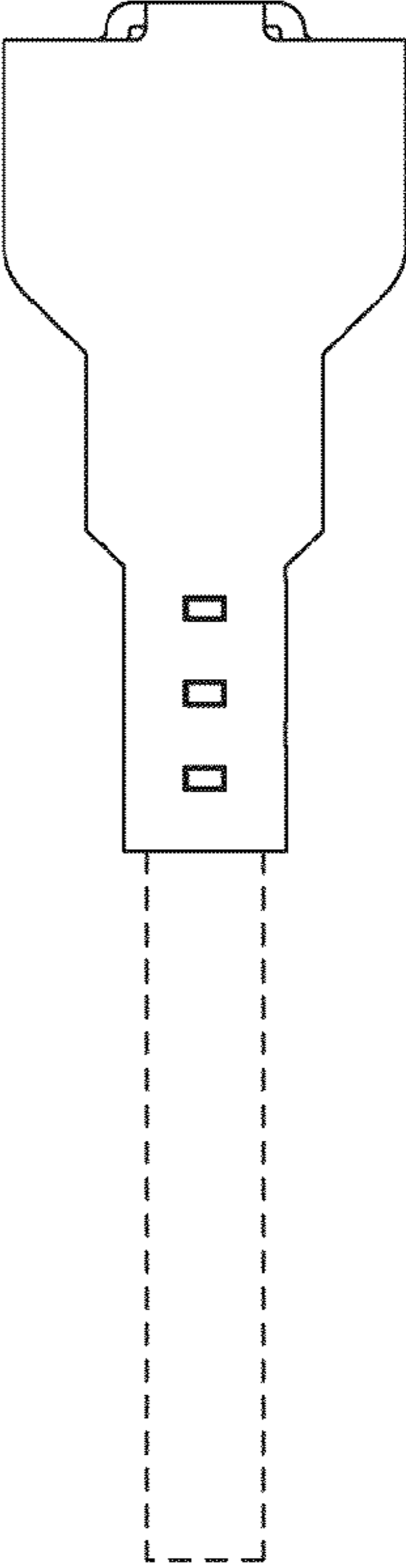
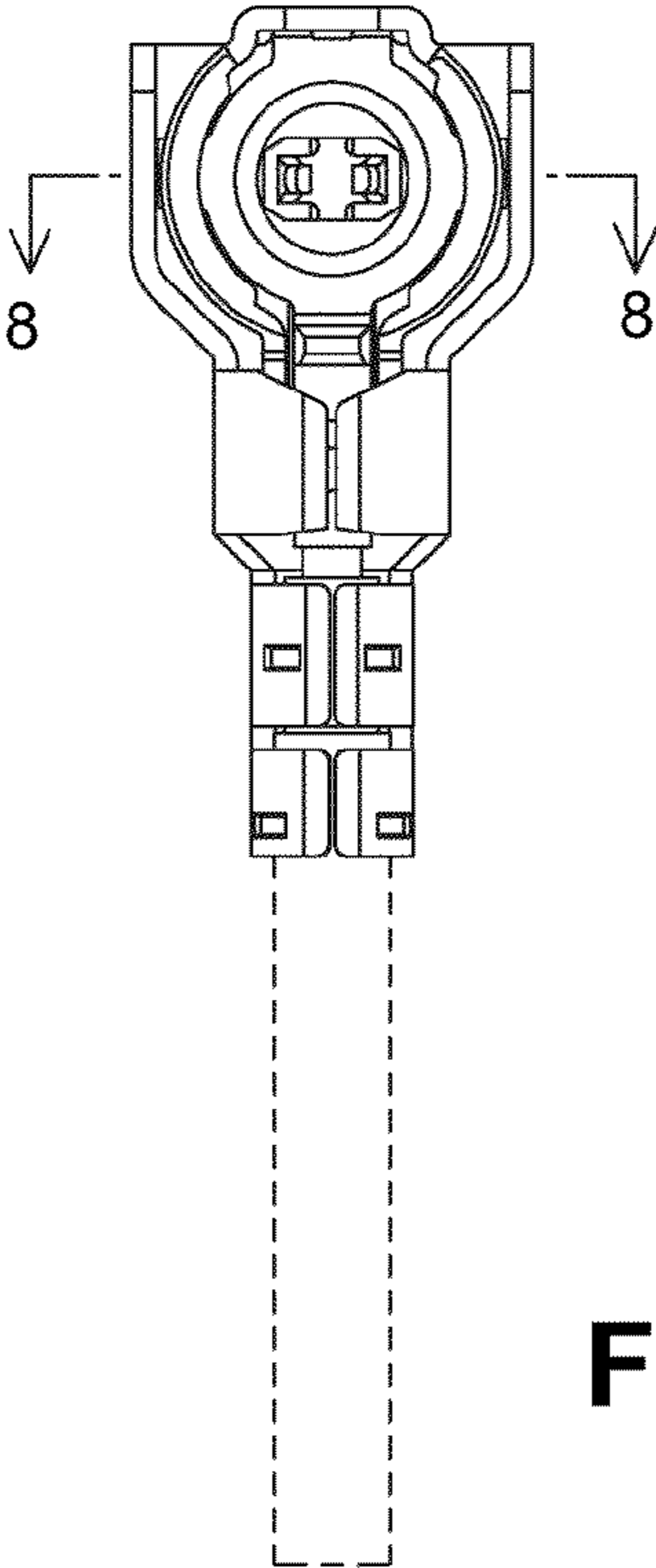
The ornamental design for a coaxial electrical connector, as shown and described.

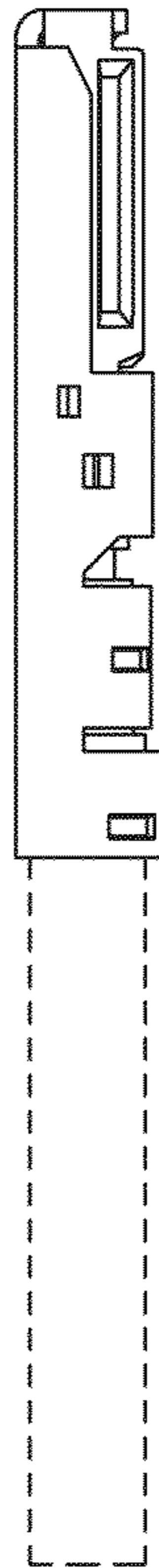
**DESCRIPTION**

FIG. 1 is a front view of a coaxial electrical connector showing my new design;  
FIG. 2 is a rear view thereof;  
FIG. 3 is a left side view thereof, wherein a right side view thereof is symmetrical to the right side view;  
FIG. 4 is a plan view thereof; and  
FIG. 5 is a bottom view thereof;  
FIG. 6 is a perspective view thereof;  
FIG. 7 is another perspective view thereof; and,  
FIG. 8 is a cross sectional view thereof in the direction of line 8-8 of FIG. 1.

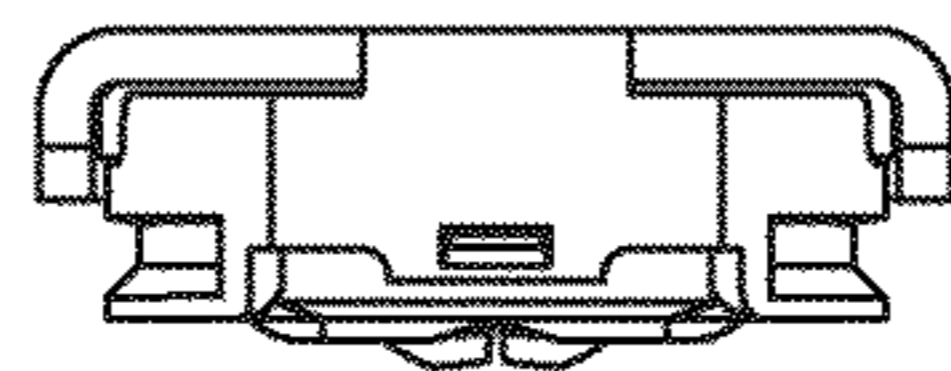
**1 Claim, 4 Drawing Sheets**



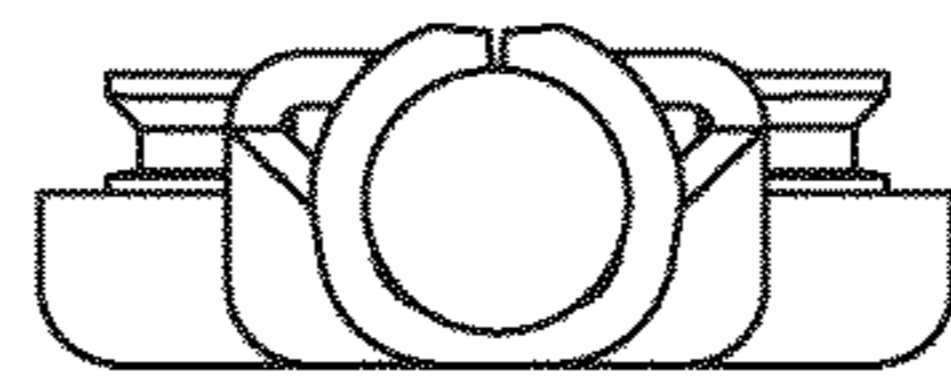




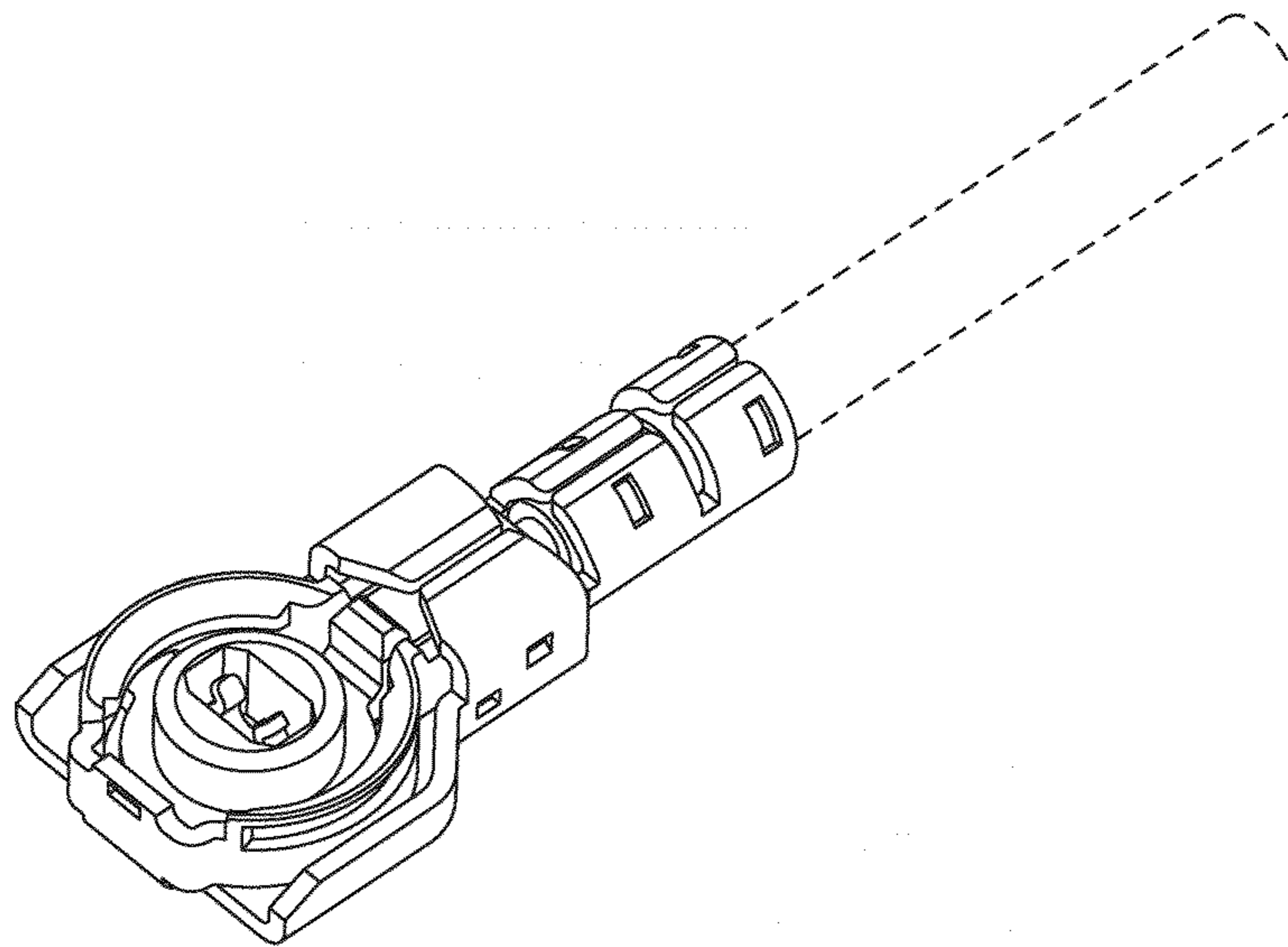
**FIG. 3**



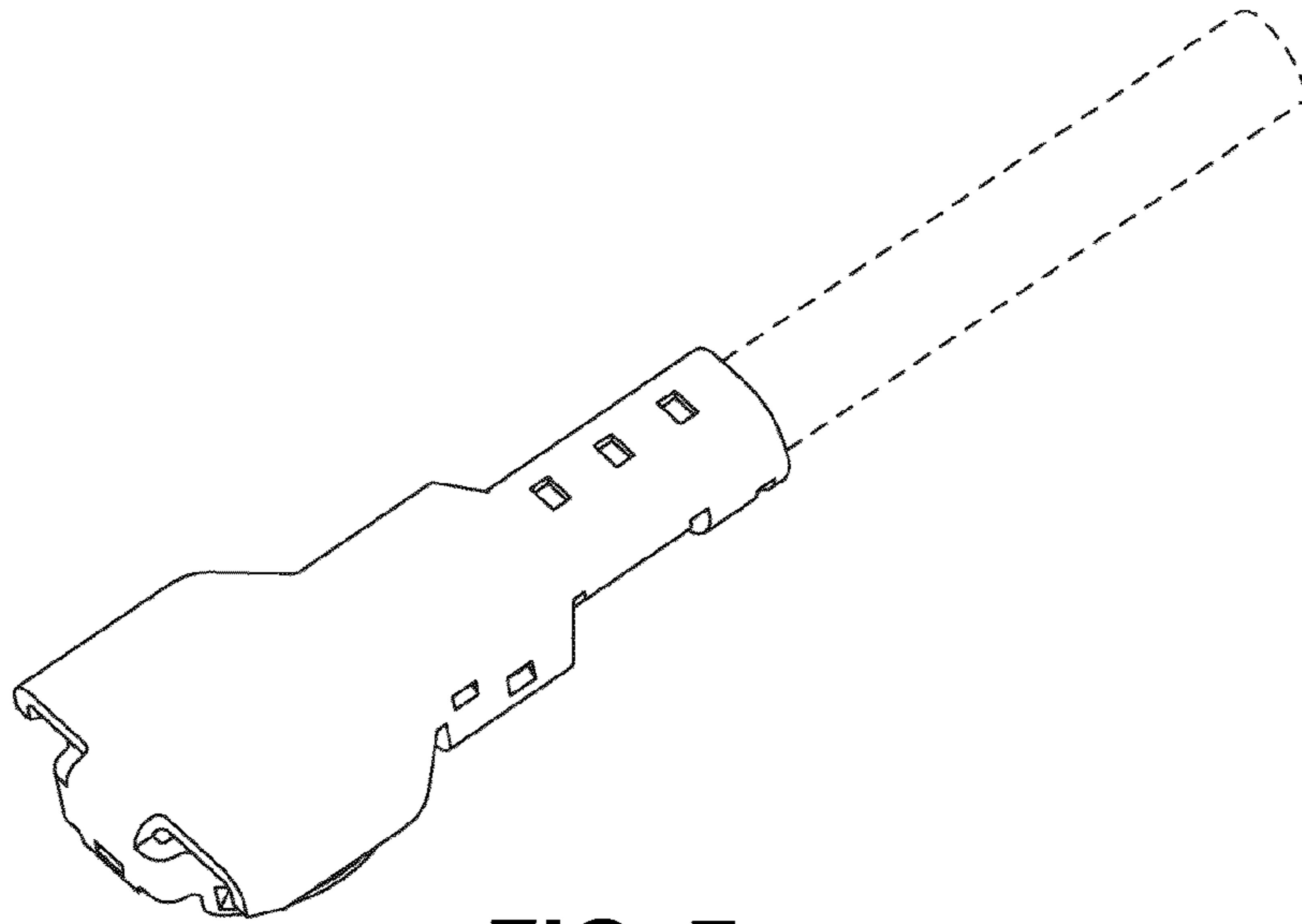
**FIG. 4**



**FIG. 5**



**FIG. 6**



**FIG. 7**



**FIG. 8**