



US00D755125S

(12) **United States Design Patent**  
**Denpoya**

(10) **Patent No.:** **US D755,125 S**  
(45) **Date of Patent:** **\*\* May 3, 2016**

(54) **COAXIAL ELECTRICAL CONNECTOR**

(56) **References Cited**

(71) Applicant: **Hirose Electric Co., Ltd.**, Tokyo (JP)

U.S. PATENT DOCUMENTS

(72) Inventor: **Ikuo Denpoya**, Tokyo (JP)

D513,606 S \* 1/2006 Yamane ..... D13/133  
D674,346 S \* 1/2013 Hashimoto ..... D13/133  
8,905,781 B2 \* 12/2014 Chen ..... H01R 13/627  
439/581  
2012/0276788 A1 \* 11/2012 Takano ..... H01R 24/50  
439/784  
2015/0104974 A1 \* 4/2015 Hirakawa ..... H01R 13/652  
439/578

(73) Assignee: **HIROSE ELECTRIC CO., LTD.**,  
Tokyo (JP)

(\*\*) Term: **14 Years**

\* cited by examiner

(21) Appl. No.: **29/526,055**

*Primary Examiner* — Daniel Bui

*Assistant Examiner* — Shawn T Gingrich

(22) Filed: **May 6, 2015**

(74) *Attorney, Agent, or Firm* — Kubotera & Associates,  
LLC

(30) **Foreign Application Priority Data**

(57) **CLAIM**

The ornamental design for a coaxial electrical connector, as shown and described.

Nov. 20, 2014 (JP) ..... 2014-025887

(51) **LOC (10) Cl.** ..... **13-03**

**DESCRIPTION**

(52) **U.S. Cl.**

USPC ..... **D13/133**

(58) **Field of Classification Search**

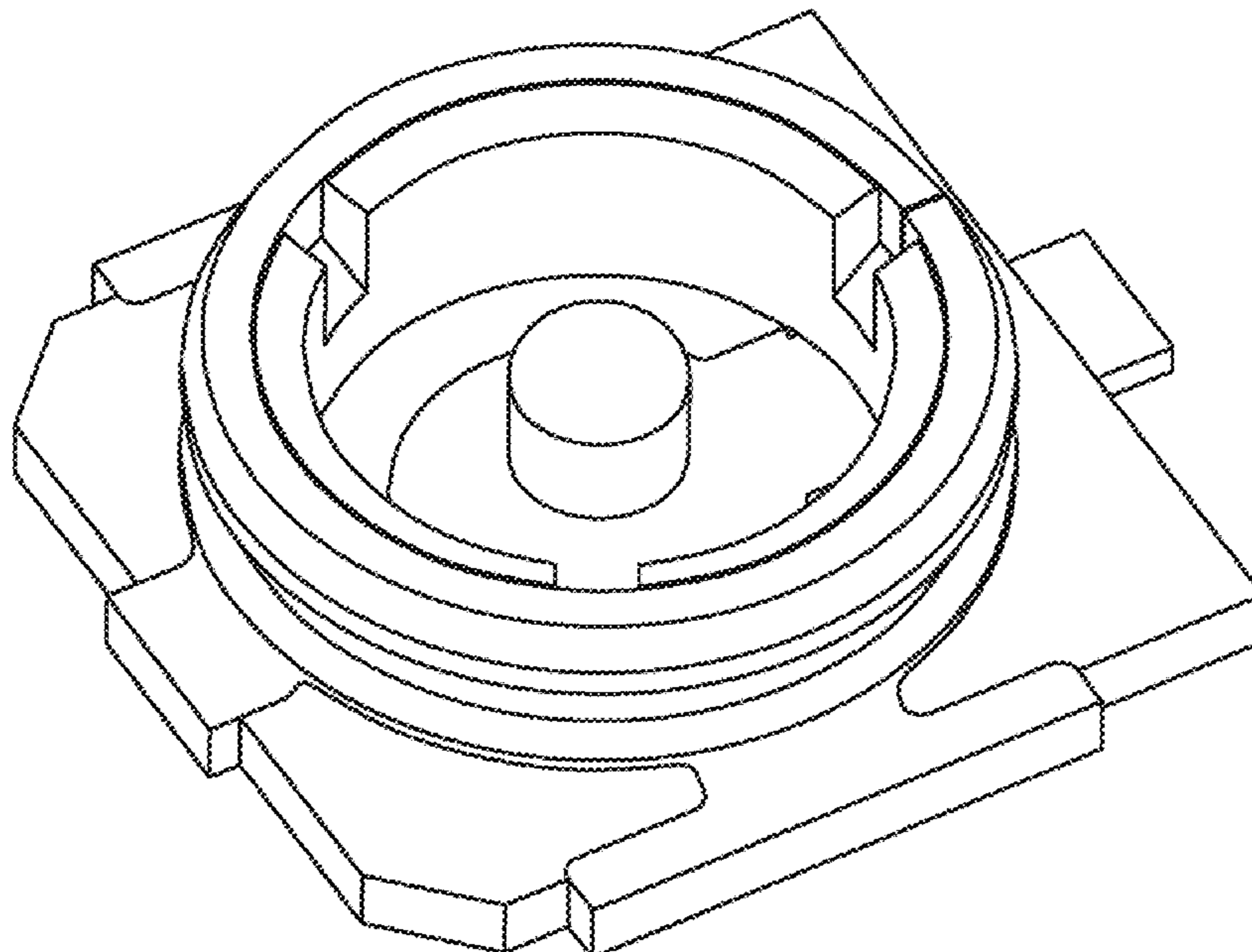
USPC ..... D13/101, 108, 110, 118, 123, 133, 145,  
D13/146, 154, 184, 199

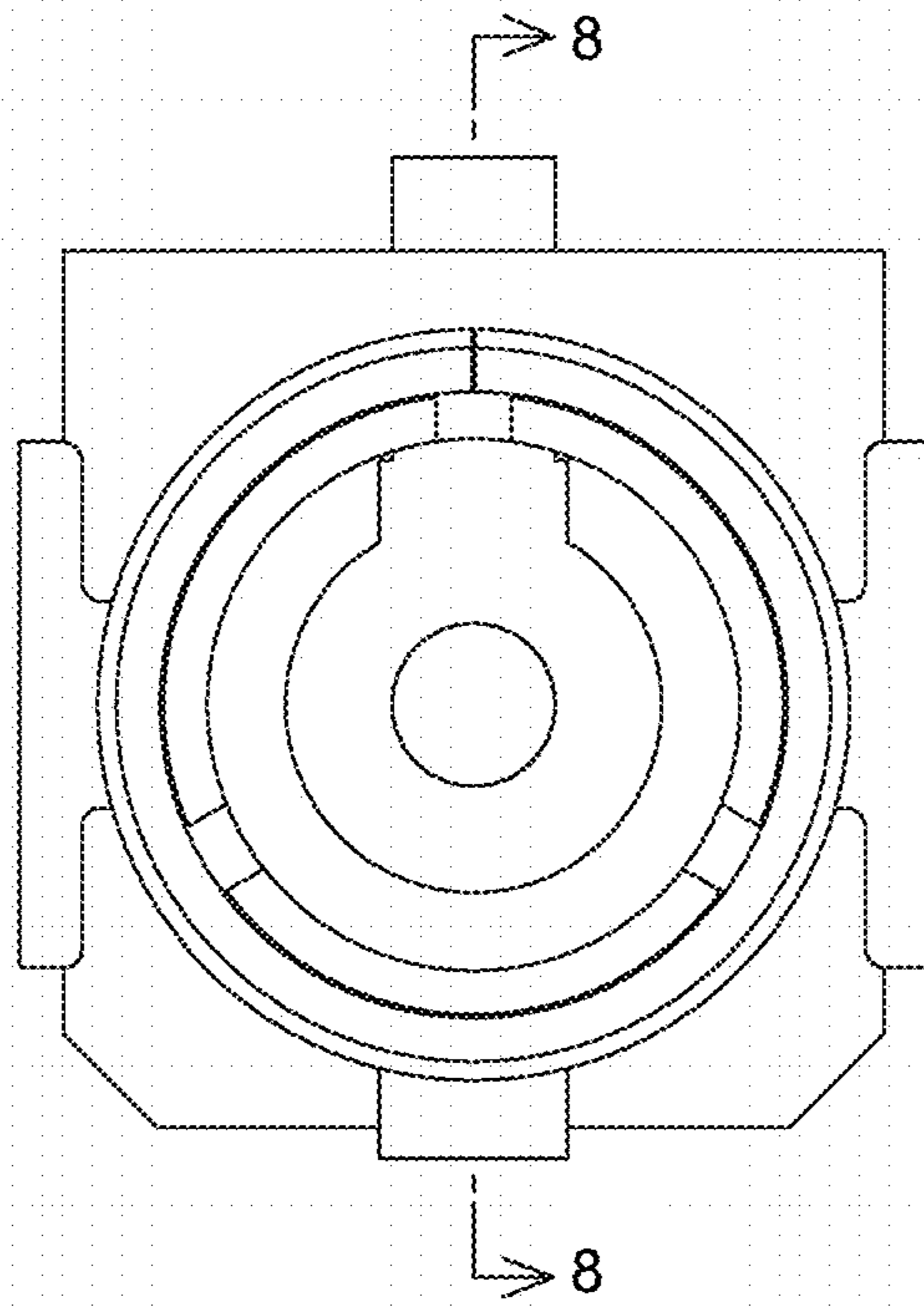
CPC ..... H01R 9/05; H01R 12/00; H01R 13/00;  
H01R 13/40; H01R 13/60; H01R 13/62;  
H01R 13/63; H01R 13/65; H01R 13/66;  
H01R 13/68; H01R 24/50; H01R 29/00

See application file for complete search history.

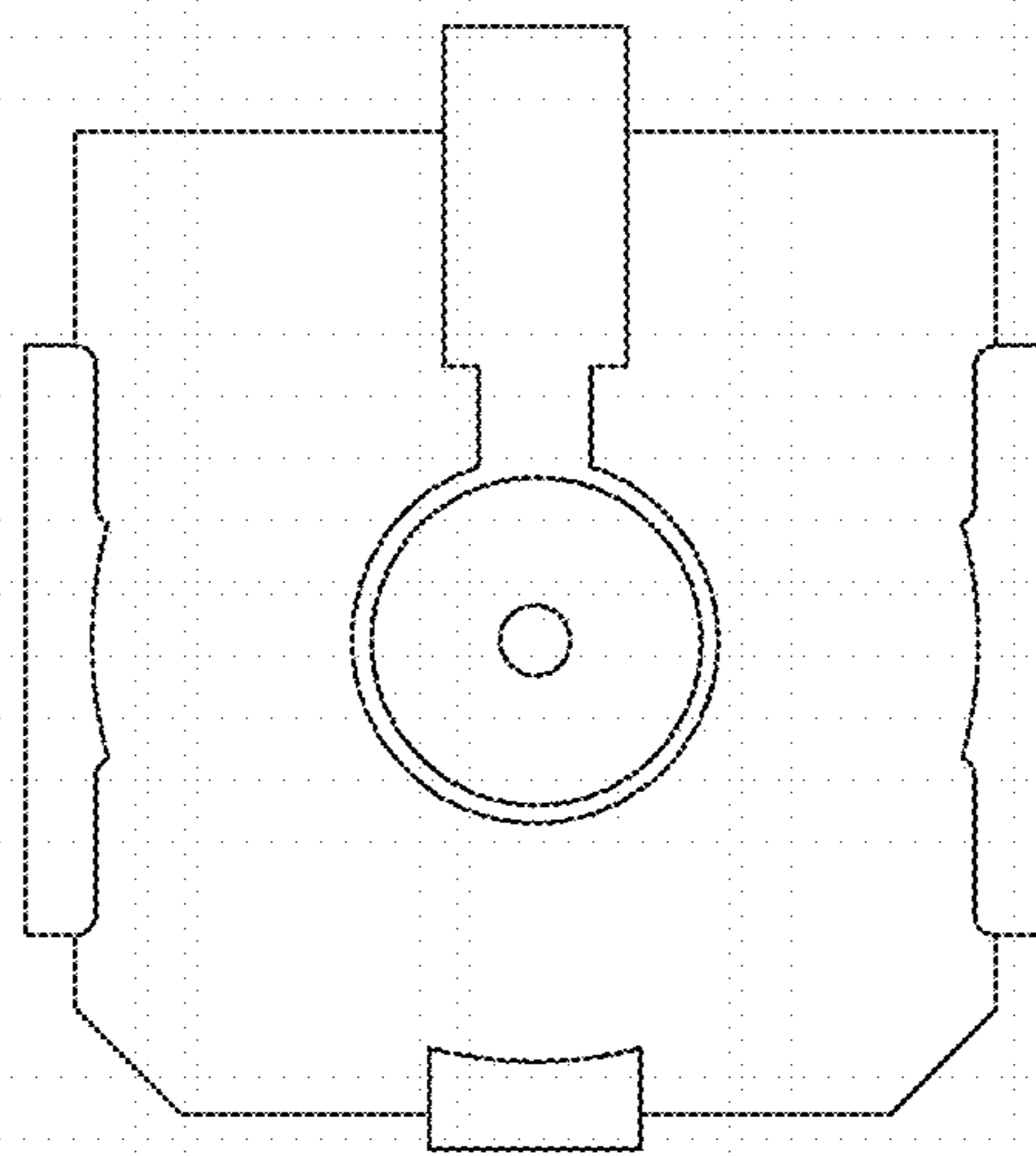
FIG. 1 is a front view of a coaxial electrical connector showing my new design;  
FIG. 2 is a rear view thereof;  
FIG. 3 is a left side view thereof, wherein a right side view thereof is symmetrical to the right side view;  
FIG. 4 is a plan view thereof; and  
FIG. 5 is a bottom view thereof;  
FIG. 6 is a perspective view thereof;  
FIG. 7 is another perspective view thereof; and,  
FIG. 8 is a cross-sectional view thereof, taken along line 8-8 of FIG. 1.

**1 Claim, 4 Drawing Sheets**

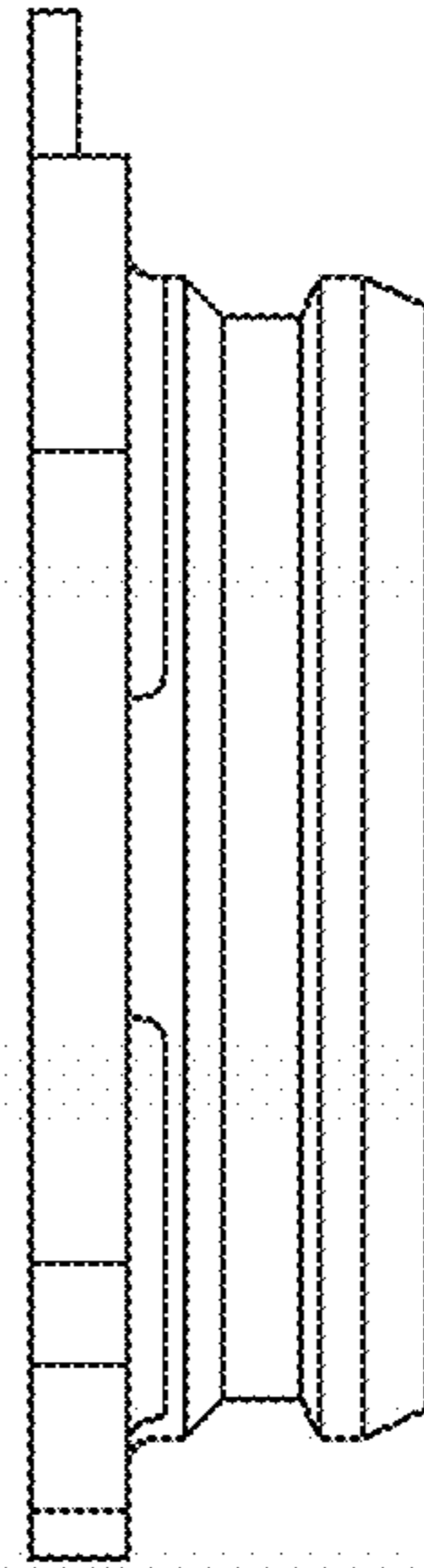




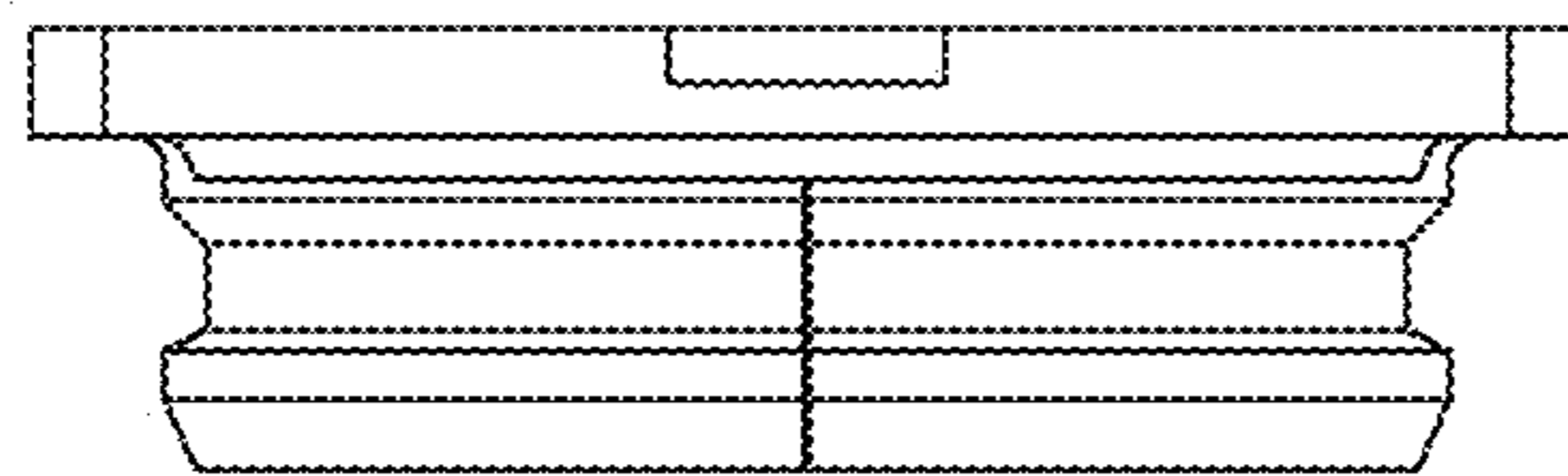
**FIG. 1**



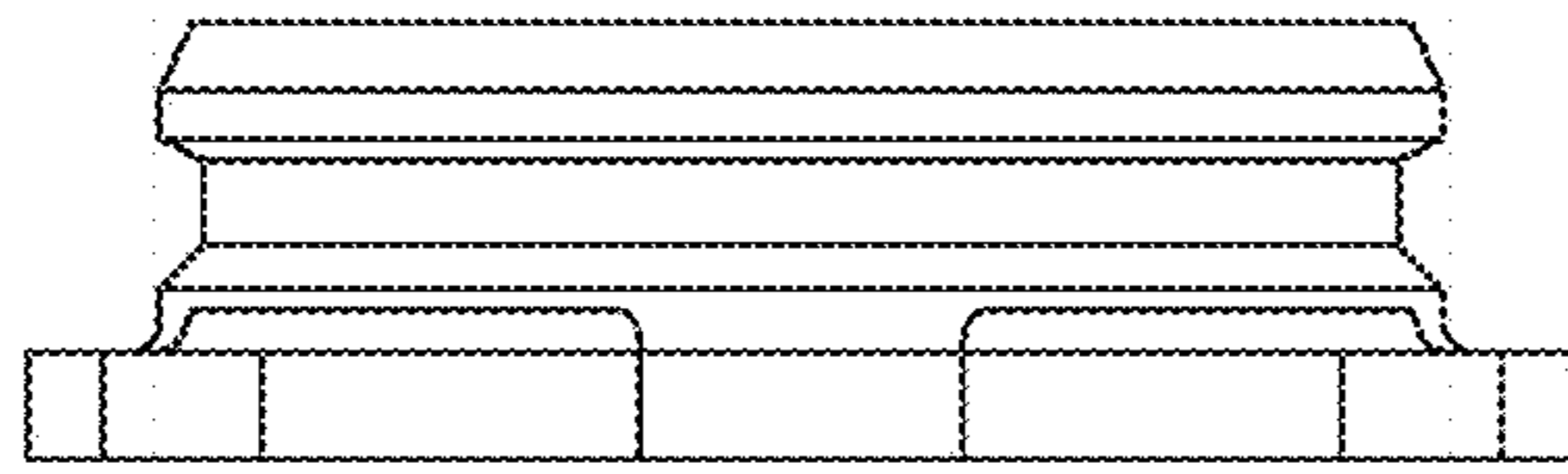
**FIG. 2**



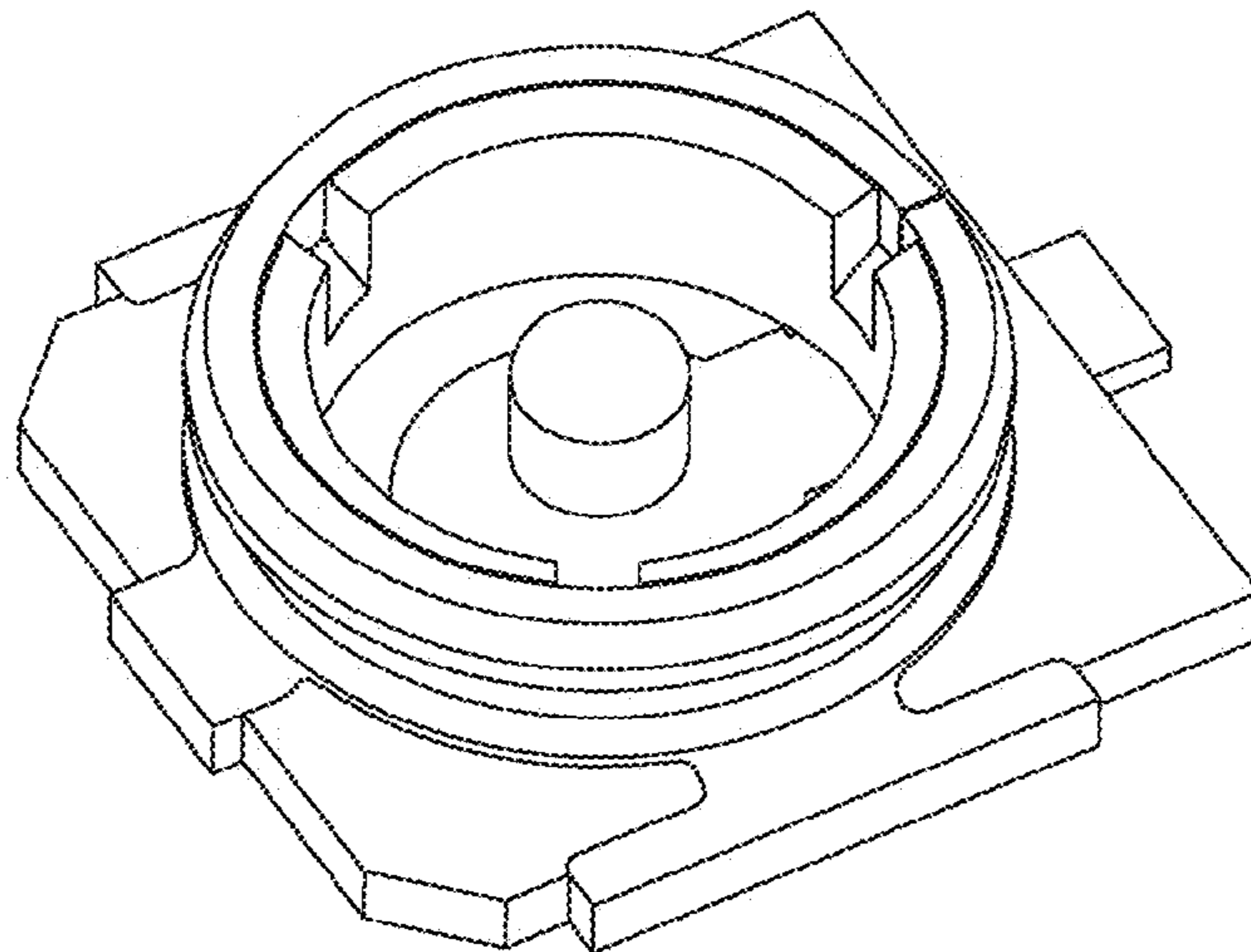
**FIG. 3**



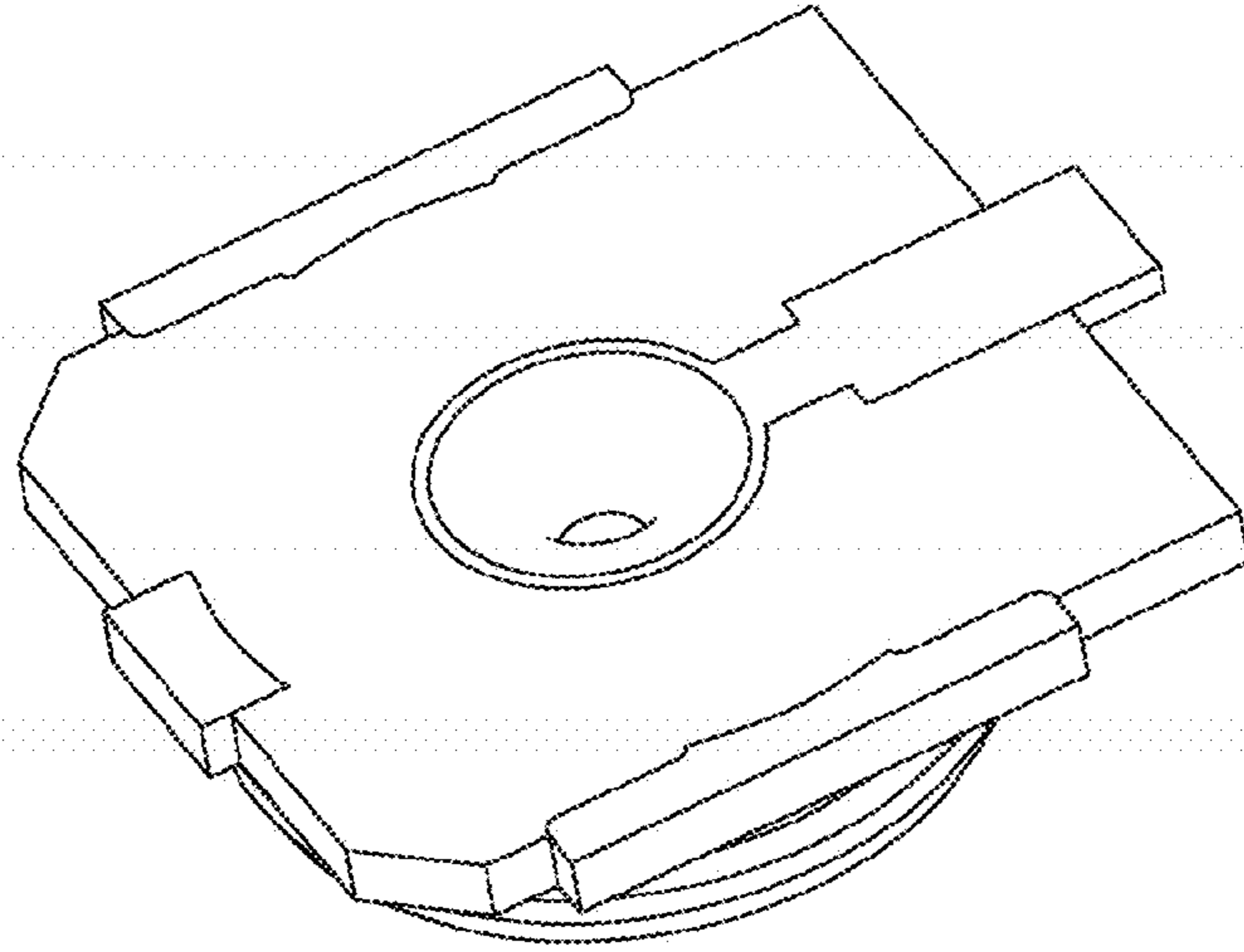
**FIG. 4**



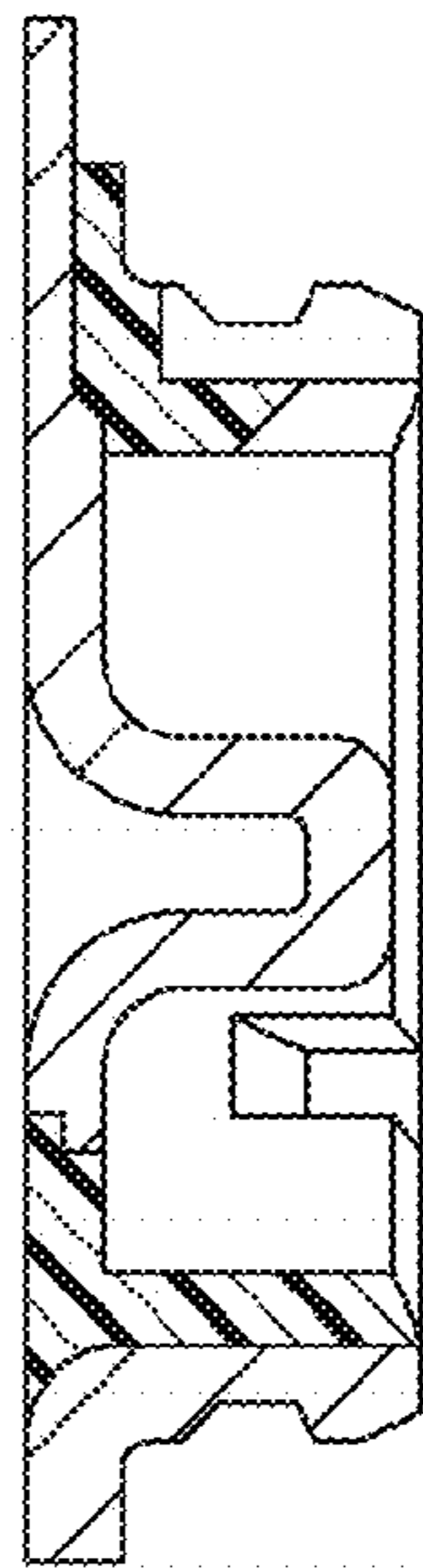
**FIG. 5**



**FIG. 6**



**FIG. 7**



**FIG. 8**