



US00D755124S

(12) **United States Design Patent**
Priem et al.

(10) **Patent No.:** **US D755,124 S**
(45) **Date of Patent:** **** May 3, 2016**

(54) **CABINET FOR USE WITH A GENSET ENCLOSURE**

(71) Applicant: **Cummins Power Generation IP, Inc.**,
Minneapolis, MN (US)

(72) Inventors: **Dan G. Priem**, Brooklyn Center, MN (US); **Peter P. Larson**, Ramsey, MN (US); **Mohnish Tuladhar**, New Brighton, MN (US); **Jeffrey Everly**, Big Lake, MN (US); **Tim Schooler**, Carver, MN (US); **Marcel Pozo**, Guayas (EC); **Karthik Deivasigamani**, Tamil Nadu (IN); **Surrendra Kolluru**, Shoreview, ME (US)

(73) Assignee: **Cummins Power Generation IP, Inc.**,
Minneapolis, MN (US)

(**) Term: **14 Years**

(21) Appl. No.: **29/481,098**

(22) Filed: **Jan. 31, 2014**

(51) **LOC (10) Cl.** **13-01**

(52) **U.S. Cl.**
USPC **D13/122**

(58) **Field of Classification Search**
USPC D13/112, 113, 114, 116, 122, 184, 199;
D6/329, 462; D15/33; 290/1 A, 1 B, 1 R;
310/89, 418; 322/1, 2 R, 10, 14, 16, 40,
322/42, 87; D23/333, 353
CPC F02B 2063/045; F02B 2063/046;
F02B 63/04; F02B 63/048
See application file for complete search history.

(56) **References Cited**

U.S. PATENT DOCUMENTS

D163,645 S * 6/1951 Shuler et al. D13/109
2,565,273 A * 8/1951 Shuler et al. 320/105
D173,401 S * 11/1954 Wolf et al. D23/353
D248,942 S * 8/1978 Kniss D13/109

D267,338 S * 12/1982 Bolton et al. D23/353
D275,946 S * 10/1984 Ekuan D13/116
4,493,390 A * 1/1985 Pagano et al. 181/204
4,495,901 A * 1/1985 Nannini et al. 123/2
4,595,841 A * 6/1986 Yaguchi 290/1 A
D305,880 S * 2/1990 Ito et al. D13/116
D310,409 S * 9/1990 Allen et al. D23/351
D314,743 S * 2/1991 Ishii D13/116
D327,468 S * 6/1992 Dea et al. D13/104
5,424,588 A * 6/1995 Cantor et al. 307/154
D397,194 S * 8/1998 Hebert D23/354
D414,461 S * 9/1999 Wang D13/116
6,028,369 A * 2/2000 Hirose et al. 290/1 A
D596,122 S * 7/2009 Imai D13/122
D705,163 S * 5/2014 Lauper et al. D13/112
D723,675 S * 3/2015 Paskow D23/354

* cited by examiner

Primary Examiner — Derrick Holland

Assistant Examiner — Jennifer O King

(74) *Attorney, Agent, or Firm* — Foley & Lardner LLP

(57) **CLAIM**

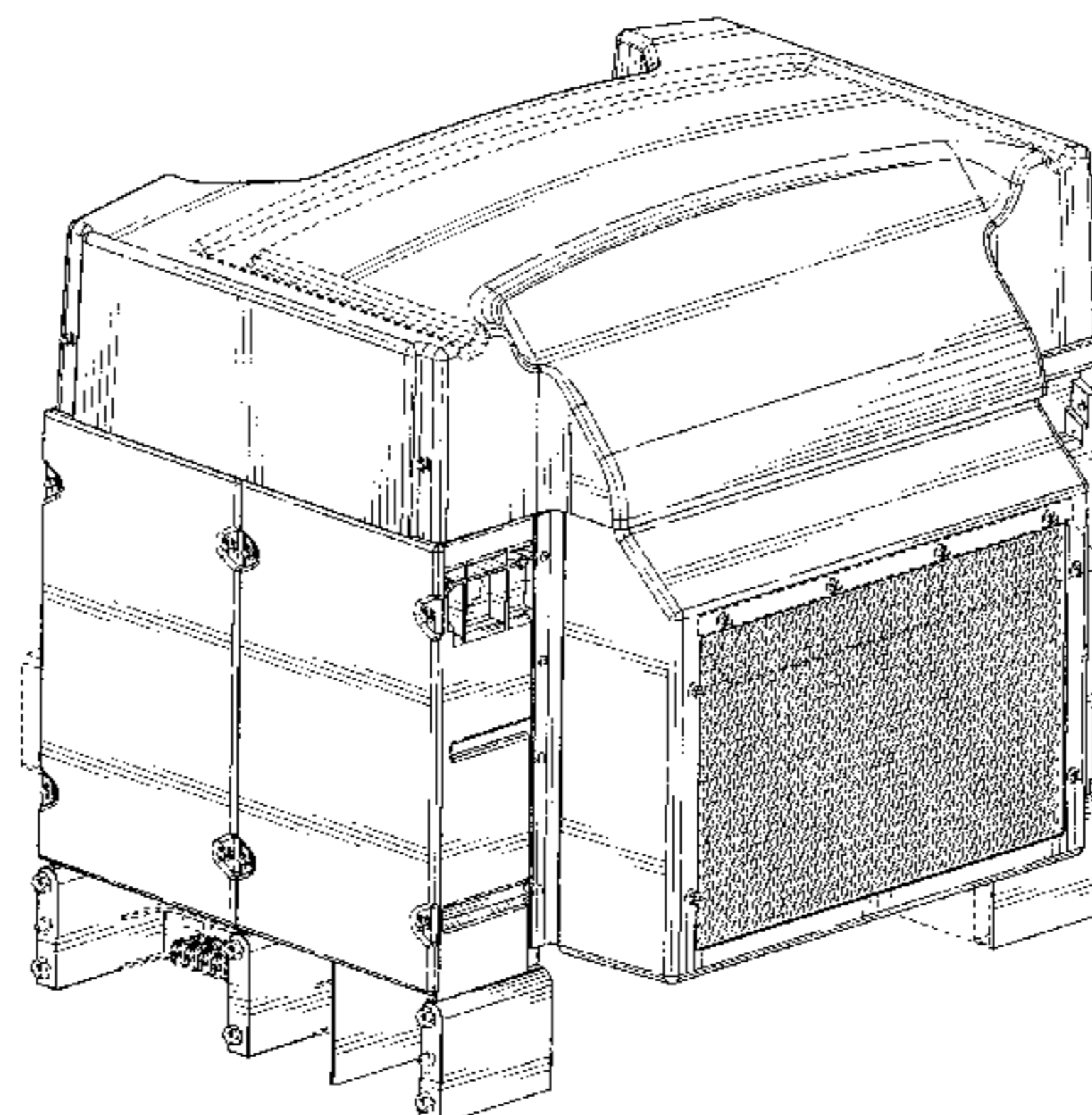
We claim the ornamental design for a cabinet for use with a genset enclosure, as shown and described.

DESCRIPTION

FIG. 1 is a front isometric view of a cabinet for use with a genset enclosure;
FIG. 2 is a front elevational view thereof;
FIG. 3 is a rear elevational view thereof;
FIG. 4 is a left side elevational view thereof;
FIG. 5 is a right side elevational view thereof;
FIG. 6 is a top plan view thereof; and,
FIG. 7 is a rear isometric view thereof.

The bottom of the cabinet for use with a genset enclosure is unornamented and forms no part of the claimed design. Additionally, the hollow interior surface of the cabinet for use with a genset enclosure forms no part of the claimed design. The ornamental design which is claimed is shown in solid lines in the drawings. The broken lines shown represent unclaimed subject matter and form no part of the claimed design.

1 Claim, 7 Drawing Sheets



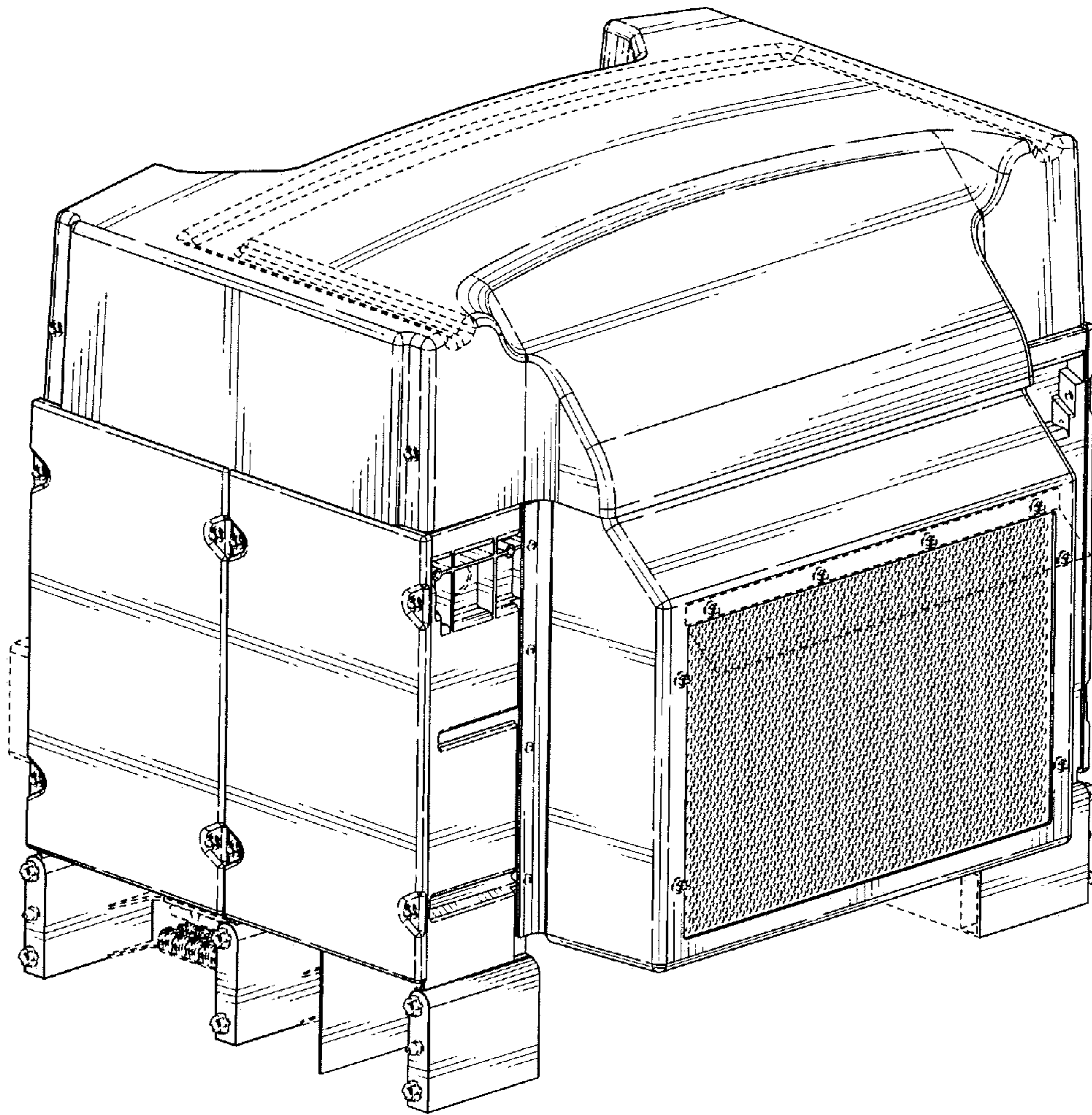


FIG. 1

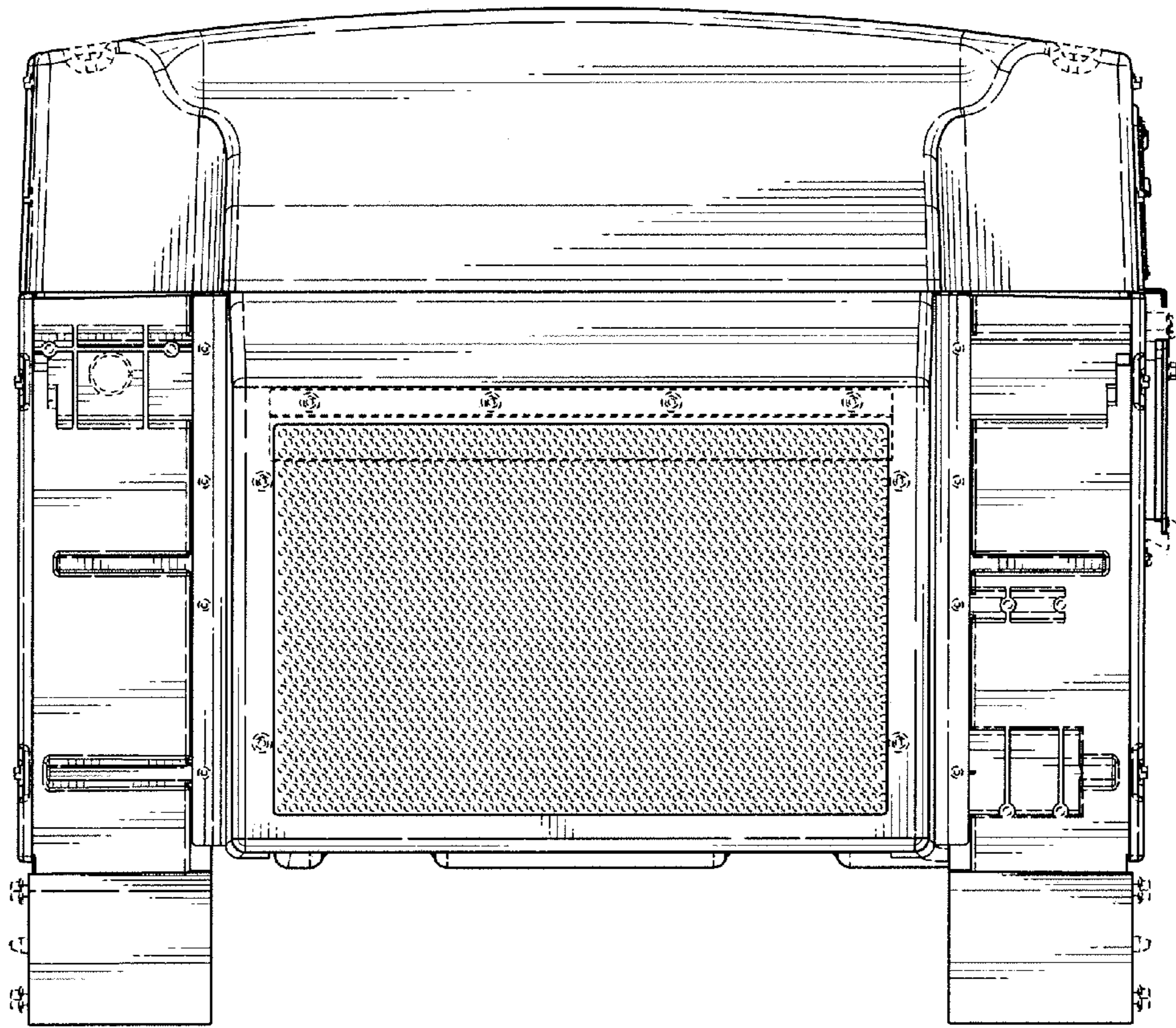


FIG. 2

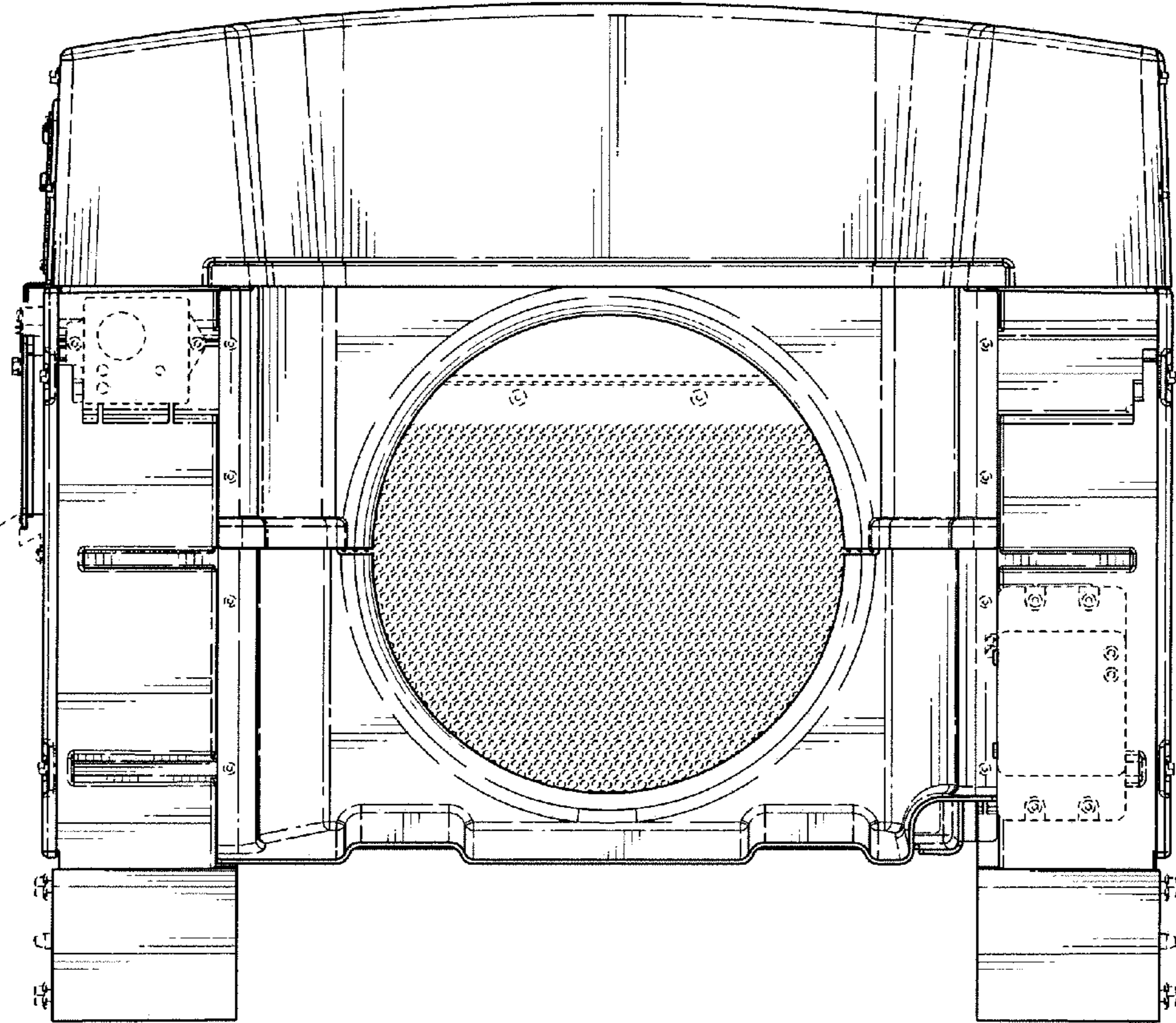


FIG. 3

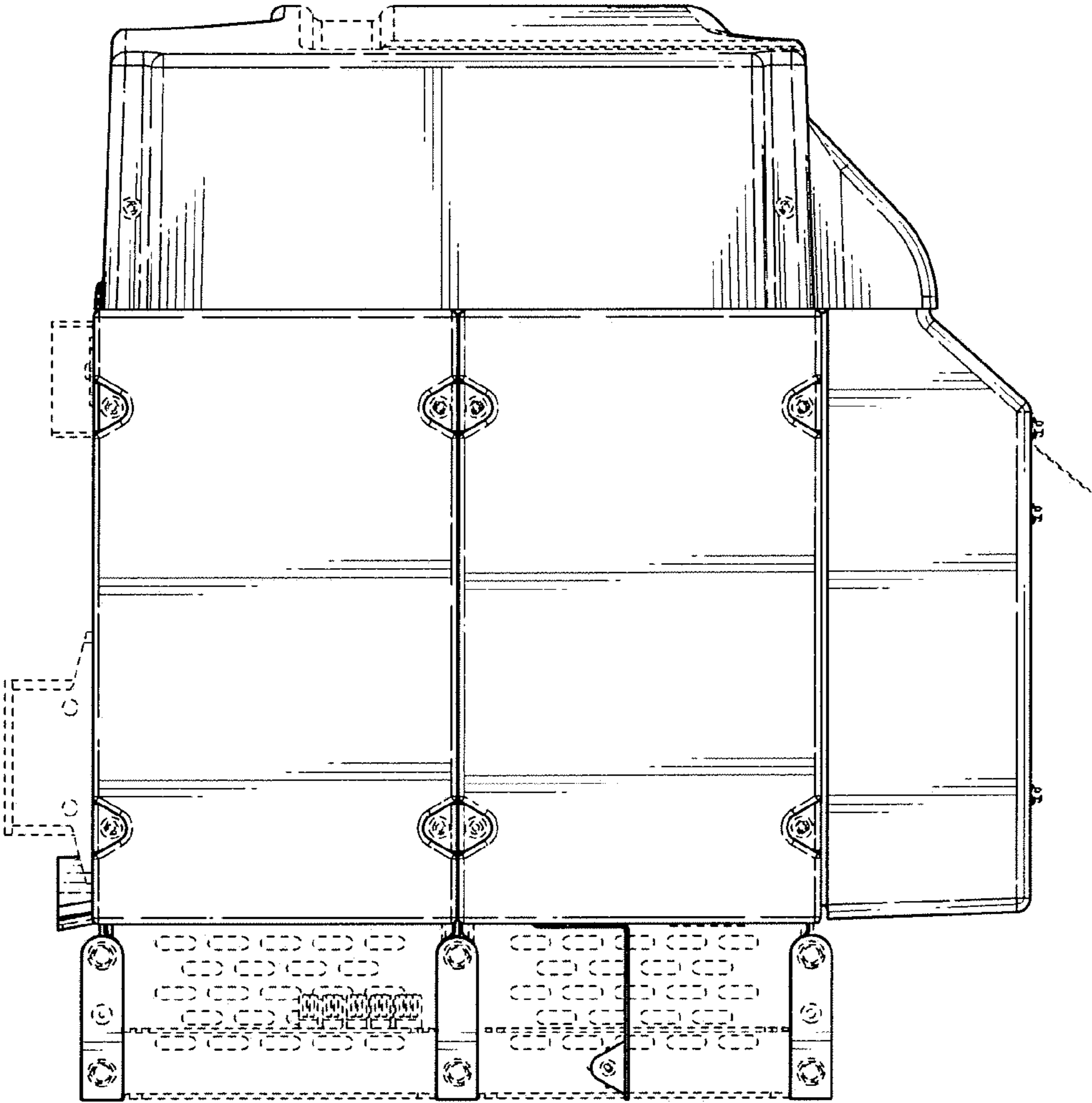


FIG. 4

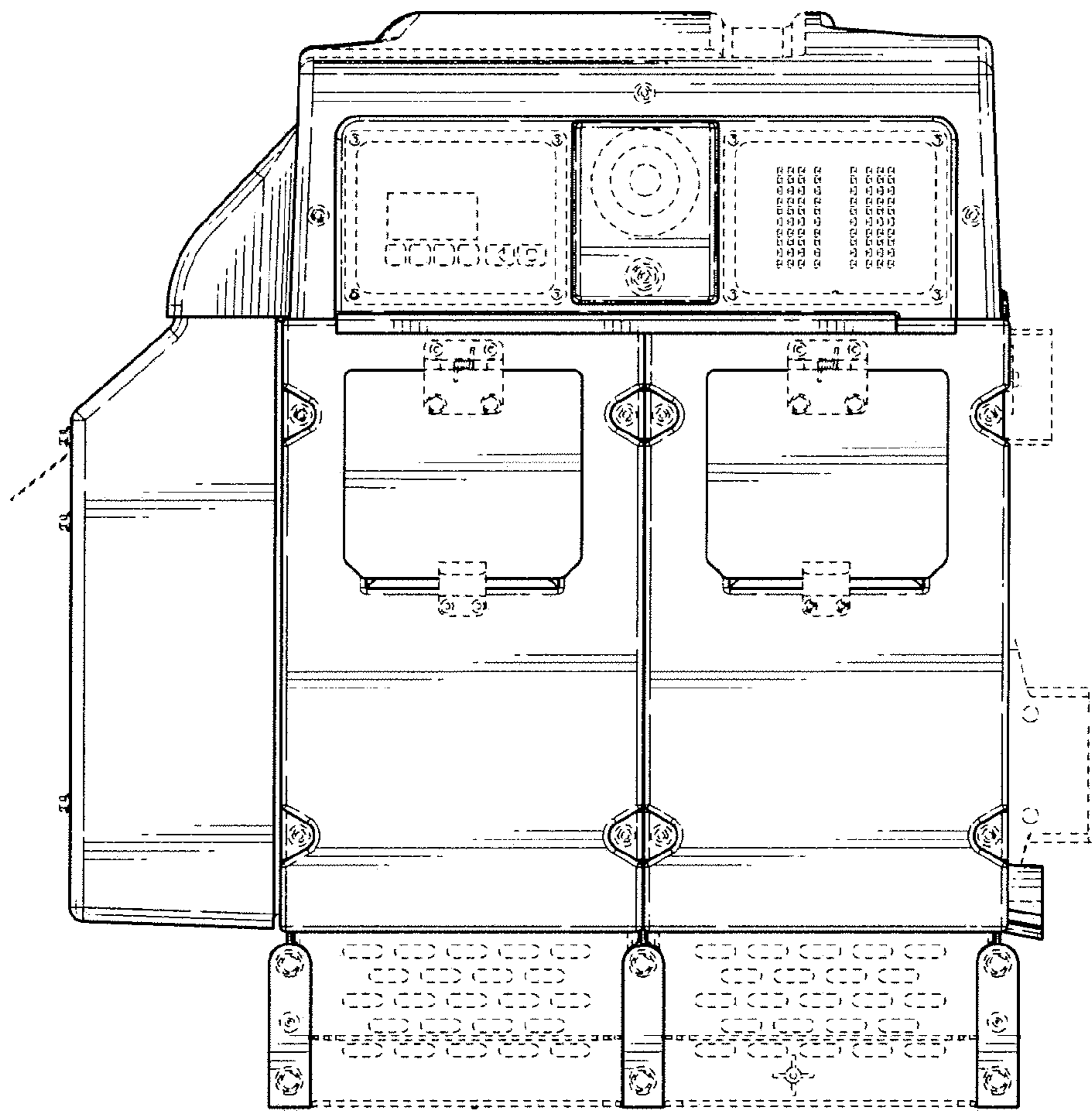


FIG. 5

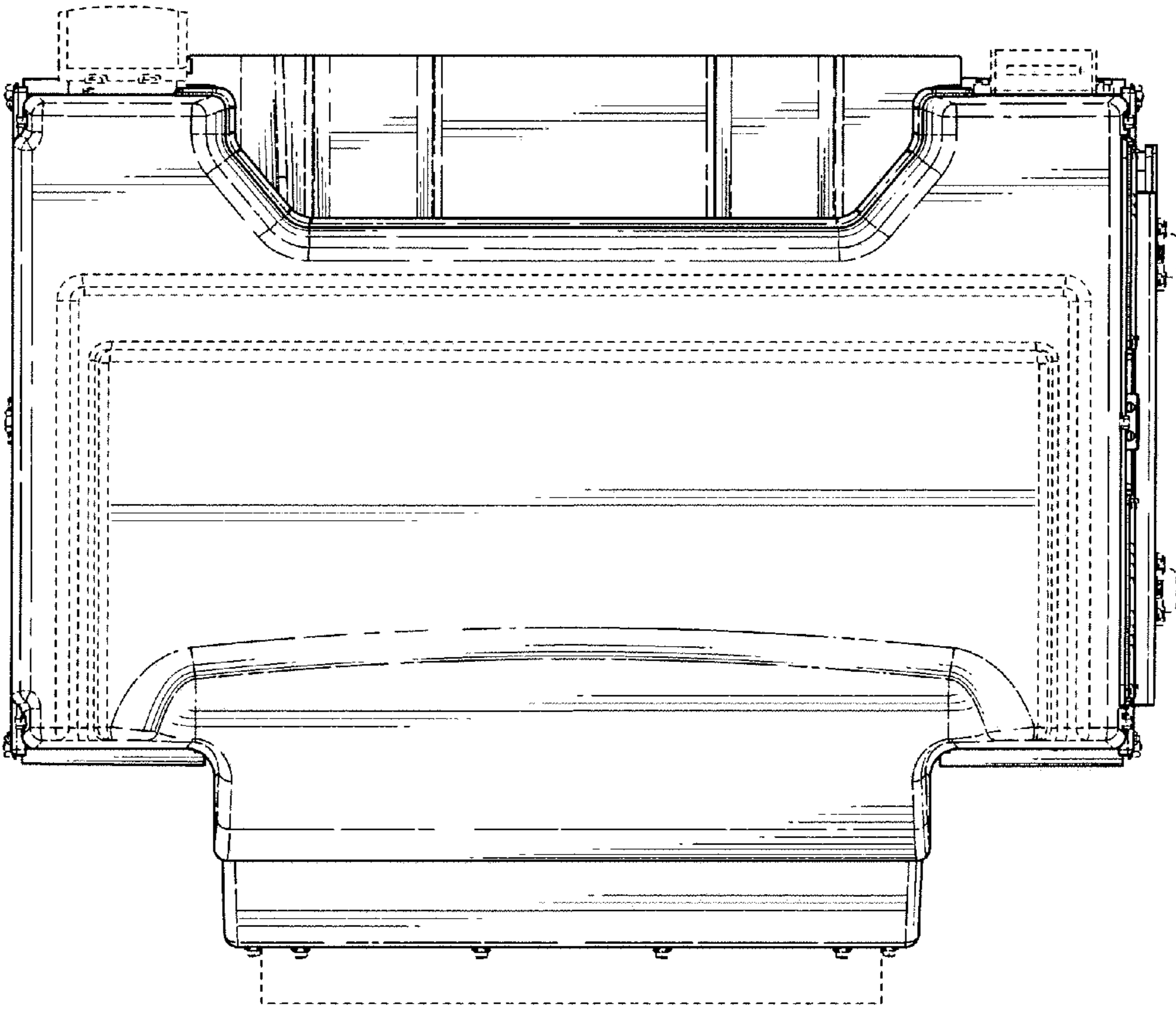


FIG. 6

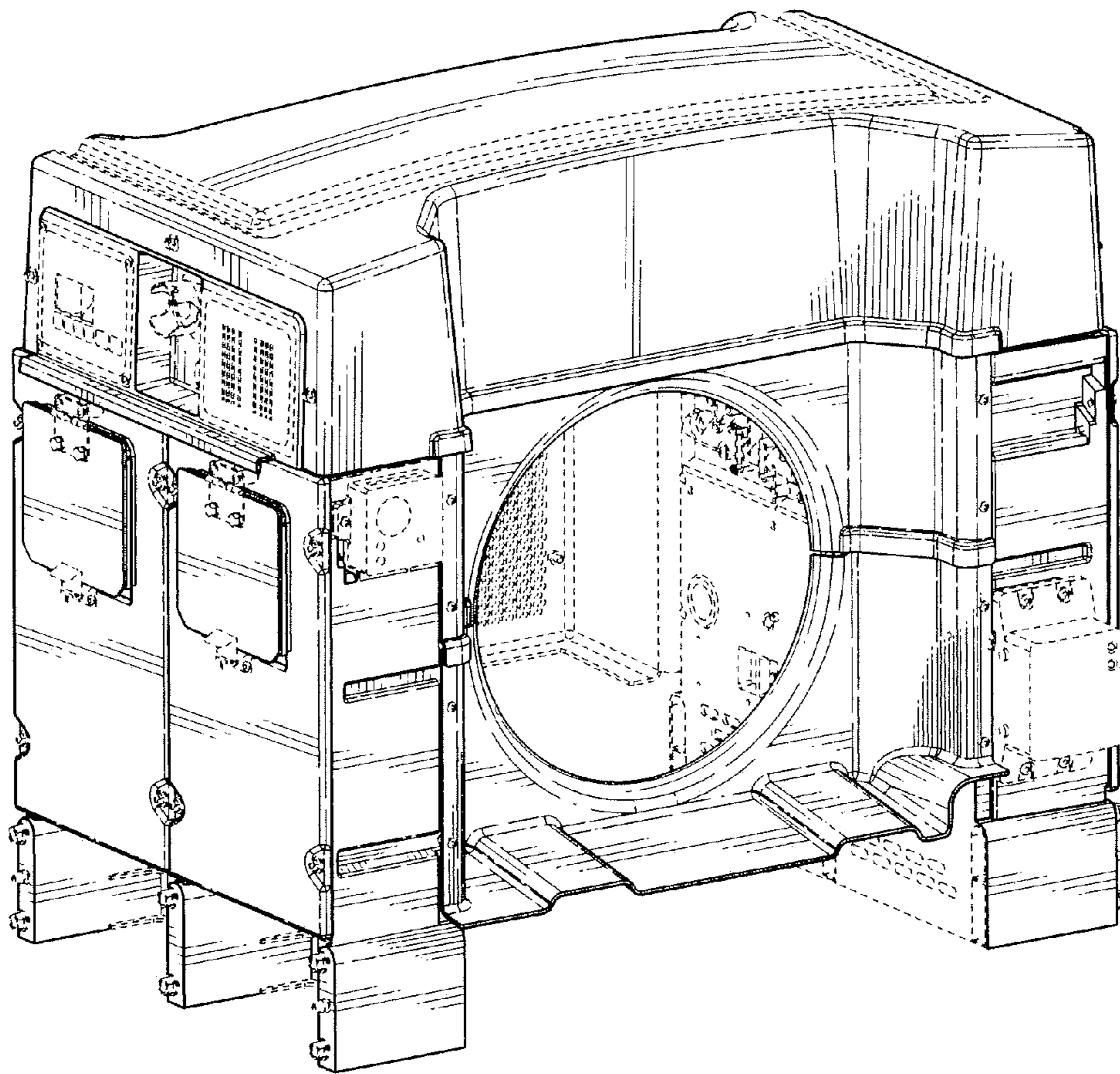


FIG. 7

UNITED STATES PATENT AND TRADEMARK OFFICE
CERTIFICATE OF CORRECTION

PATENT NO. : D755,124 S
APPLICATION NO. : 29/481098
DATED : May 3, 2016
INVENTOR(S) : Dan G. Priem et al.

Page 1 of 1

It is certified that error appears in the above-identified patent and that said Letters Patent is hereby corrected as shown below:

On the Title Page

(72) Inventors: "Surrendra Kolluru" should be --Surendra Kolluru--.

Signed and Sealed this
Twenty-sixth Day of December, 2017



Joseph Matal

*Performing the Functions and Duties of the
Under Secretary of Commerce for Intellectual Property and
Director of the United States Patent and Trademark Office*